



US00D556852S

(12) **United States Design Patent**
Steckelberg

(10) **Patent No.:** **US D556,852 S**

(45) **Date of Patent:** **** Dec. 4, 2007**

(54) **FISH LURE**

(76) Inventor: **Rick Steckelberg**, 2530 Paul Dr.,
Gainesville, GA (US) 30504

(**) Term: **14 Years**

(21) Appl. No.: **29/271,540**

(22) Filed: **Jan. 22, 2007**

(51) **LOC (8) Cl.** **22-05**

(52) **U.S. Cl.** **D22/133**

(58) **Field of Classification Search** D22/125-133;
43/42.06, 42.08, 42.36, 42.28, 42.35, 42.34,
43/42.41, 44.8, 42.45, 42.39
See application file for complete search history.

(56) **References Cited**

U.S. PATENT DOCUMENTS

D205,225 S	7/1966	Jackson	D22/133
D346,200 S	4/1994	Hildebrandt et al.	D22/128
D390,623 S	2/1998	Phelps	D22/126
D408,883 S *	4/1999	Snyder	D22/126
5,953,849 A	9/1999	Boucher, Jr.	43/42.24
D425,599 S *	5/2000	Lummis	D22/133
D510,756 S	10/2005	Steckelberg	D22/133

OTHER PUBLICATIONS

U.S. Appl. No. 29/268,348, filed Nov. 3, 2006, Steckelberg.

* cited by examiner

Primary Examiner—Catherine R. Oliver

(74) *Attorney, Agent, or Firm*—Joseph G. Mitchell, Esq.

(57) **CLAIM**

The ornamental design for a fish lure, substantially as shown and described.

DESCRIPTION

FIG. 1 is a front perspective view of the fish lure;

FIG. 2 is a front view of the fish lure;

FIG. 3 is a rear view of the fish lure;

FIG. 4 is atop view of the fish lure;

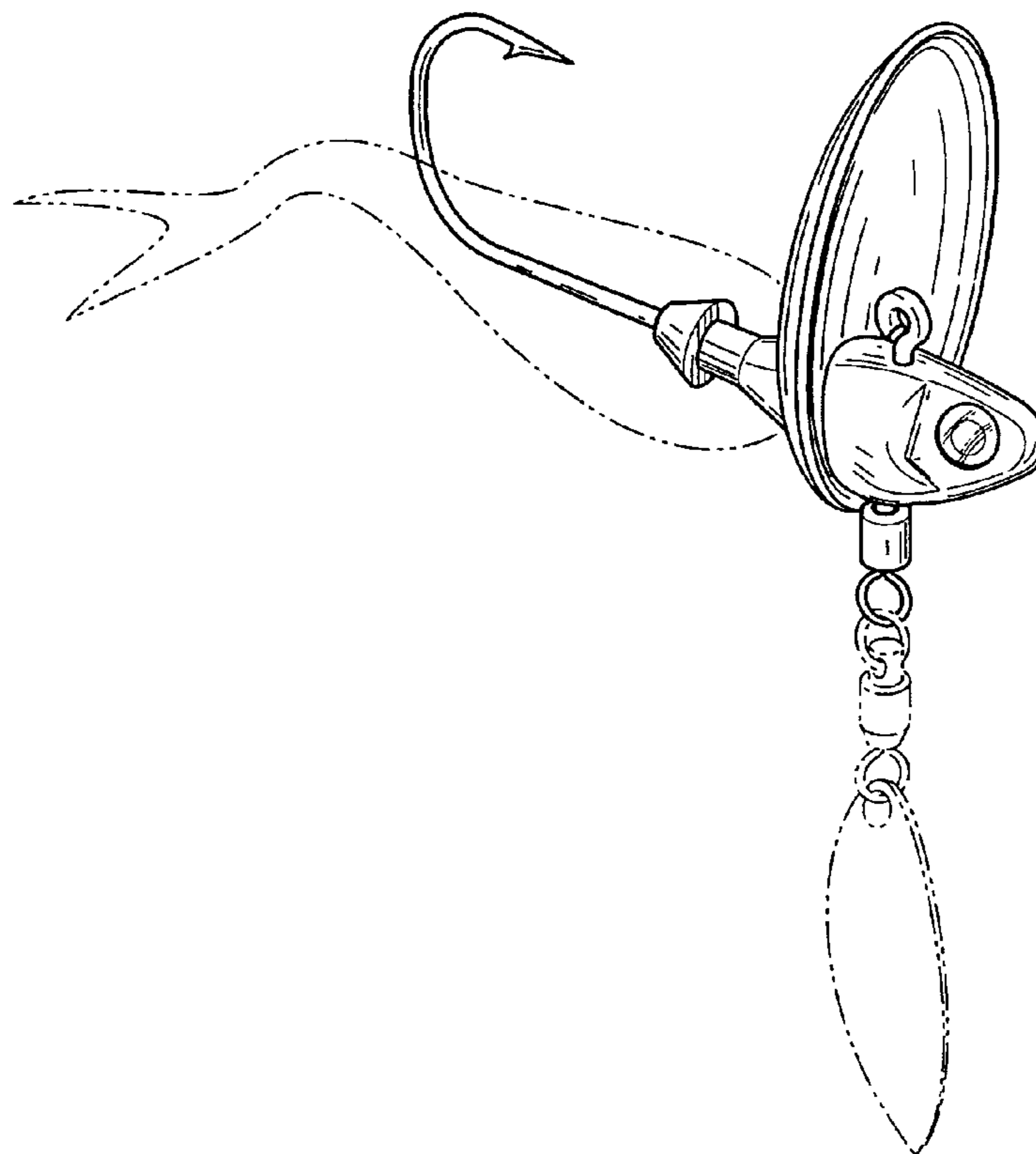
FIG. 5 is a bottom view of the fish lure; and

FIG. 6 is a side view of the fish lure; and,

FIG. 7 is another side view of the fish lure.

The broken lines in FIG. 1 are understood to represent a fish trailer. The broken lines showing such fish trailer is for illustrative purposes only and forms no part of the claimed design.

1 Claim, 3 Drawing Sheets



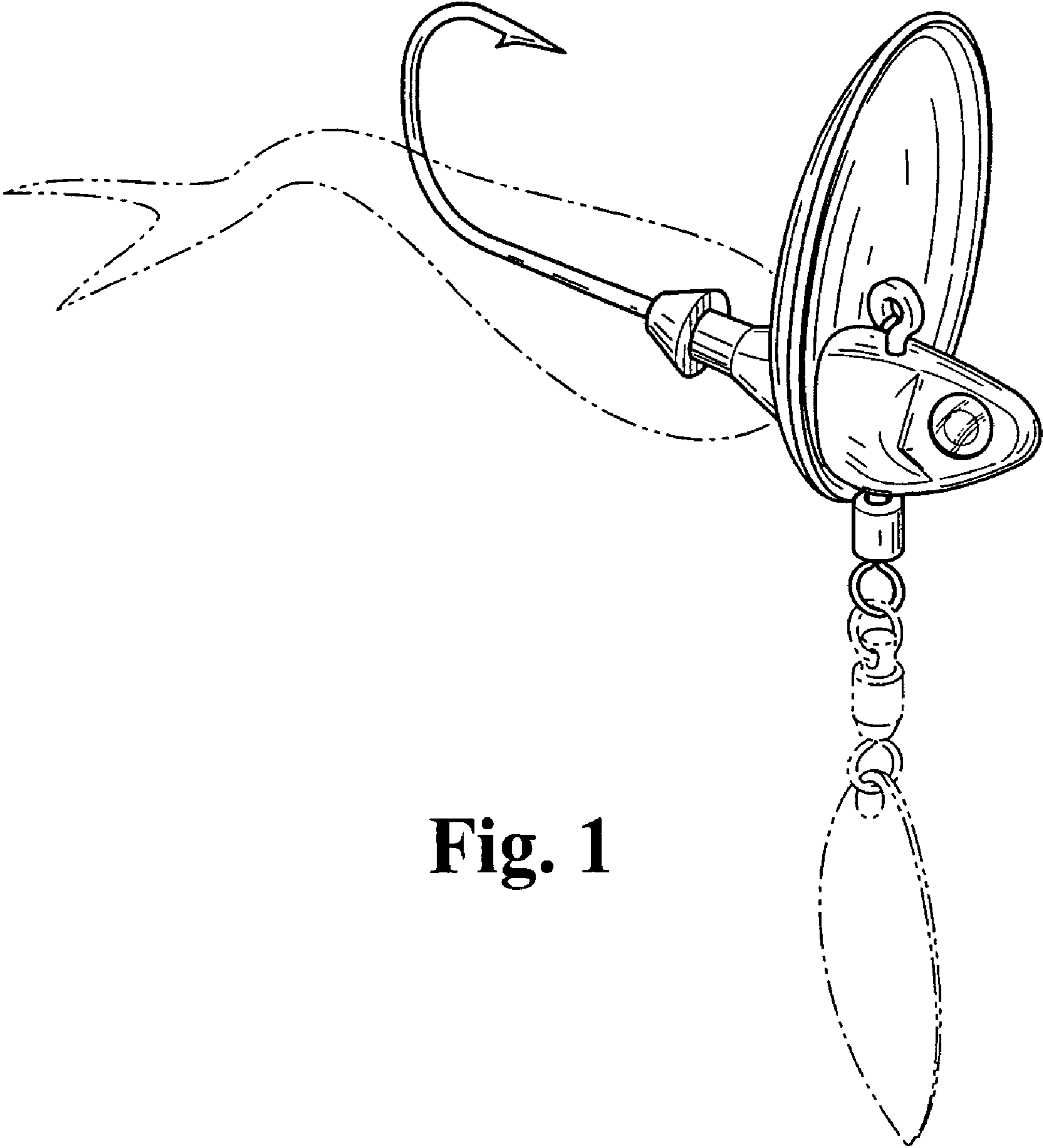


Fig. 1

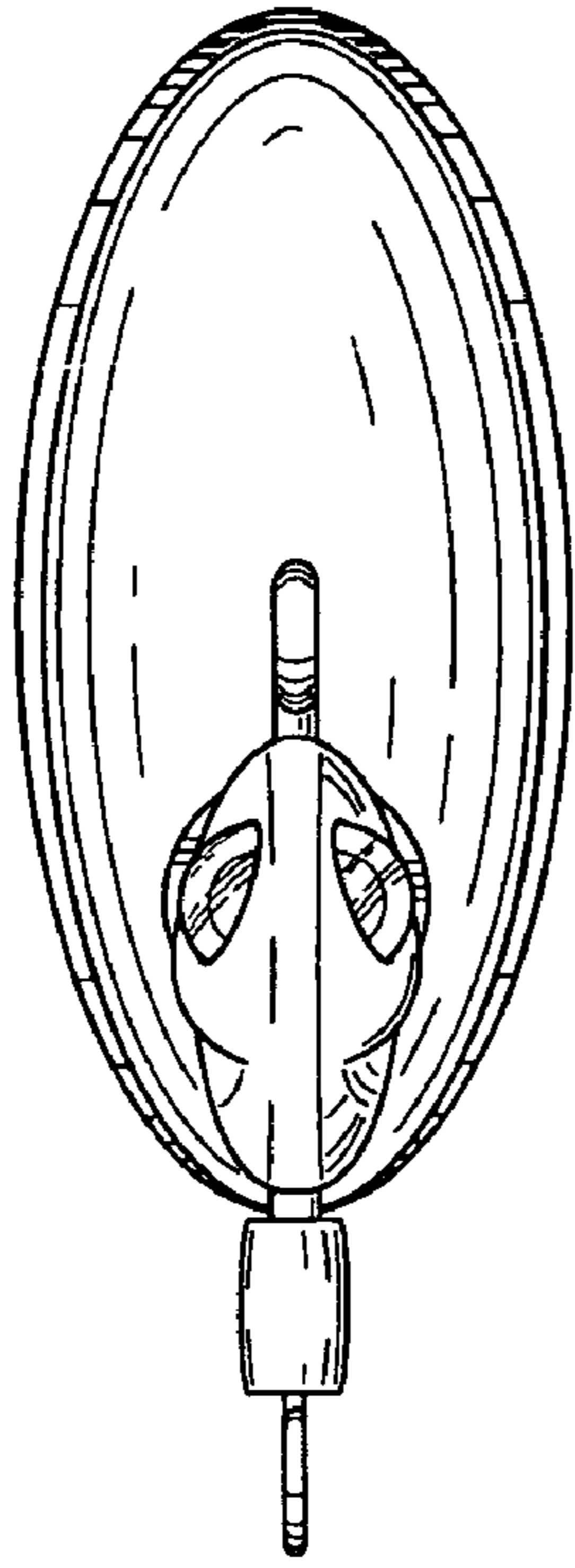


Fig. 2

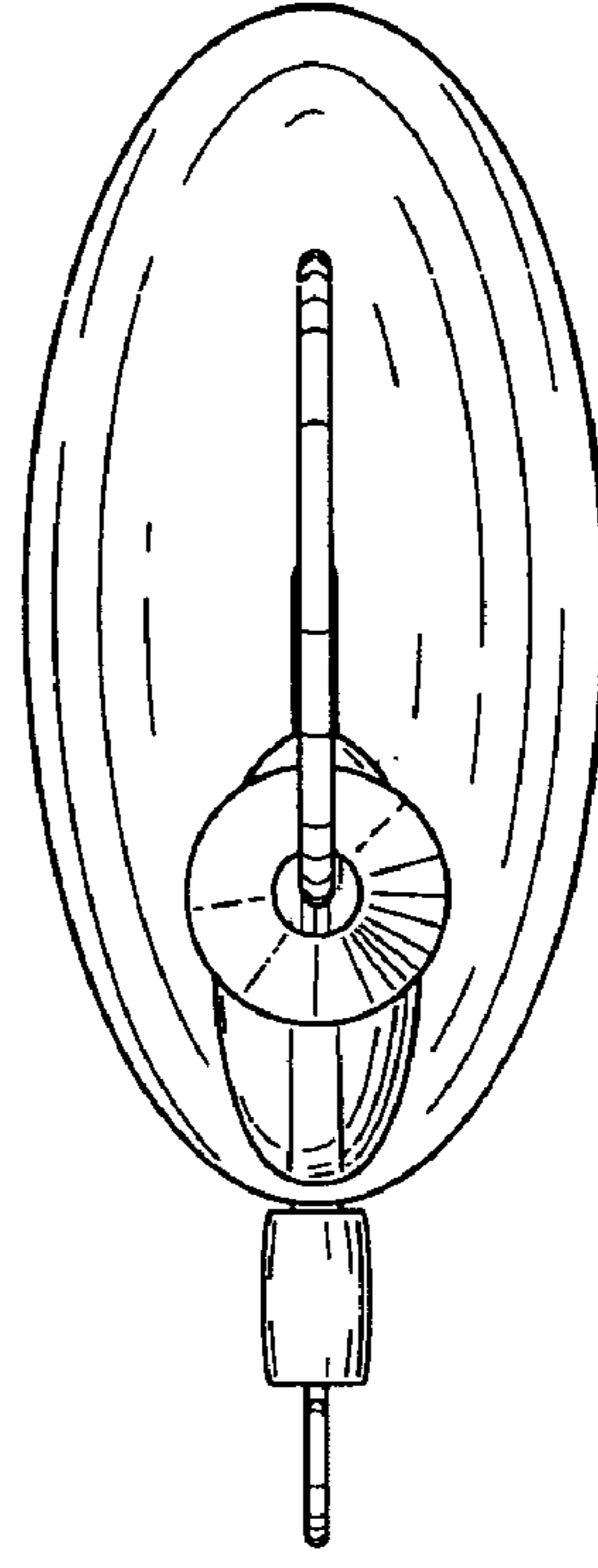


Fig. 3

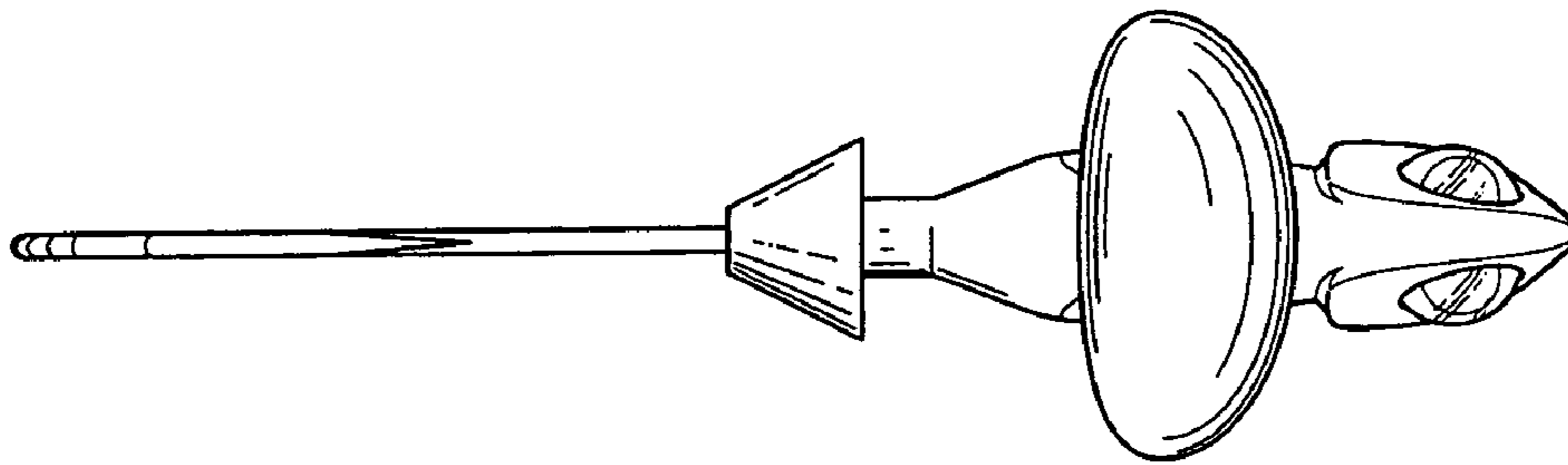


Fig. 4

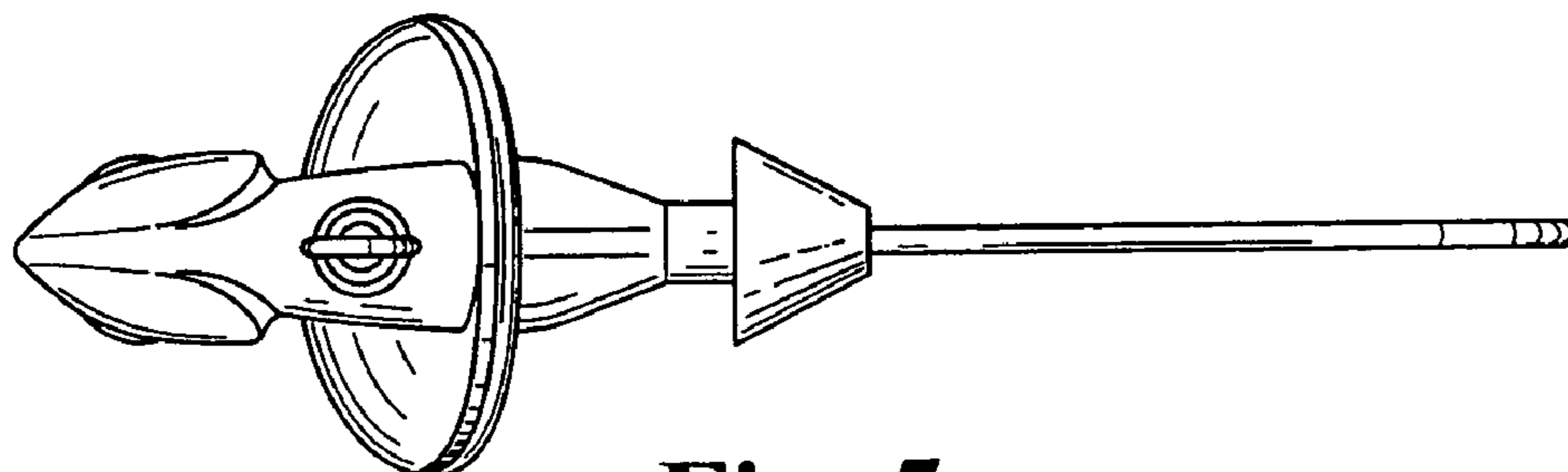


Fig. 5

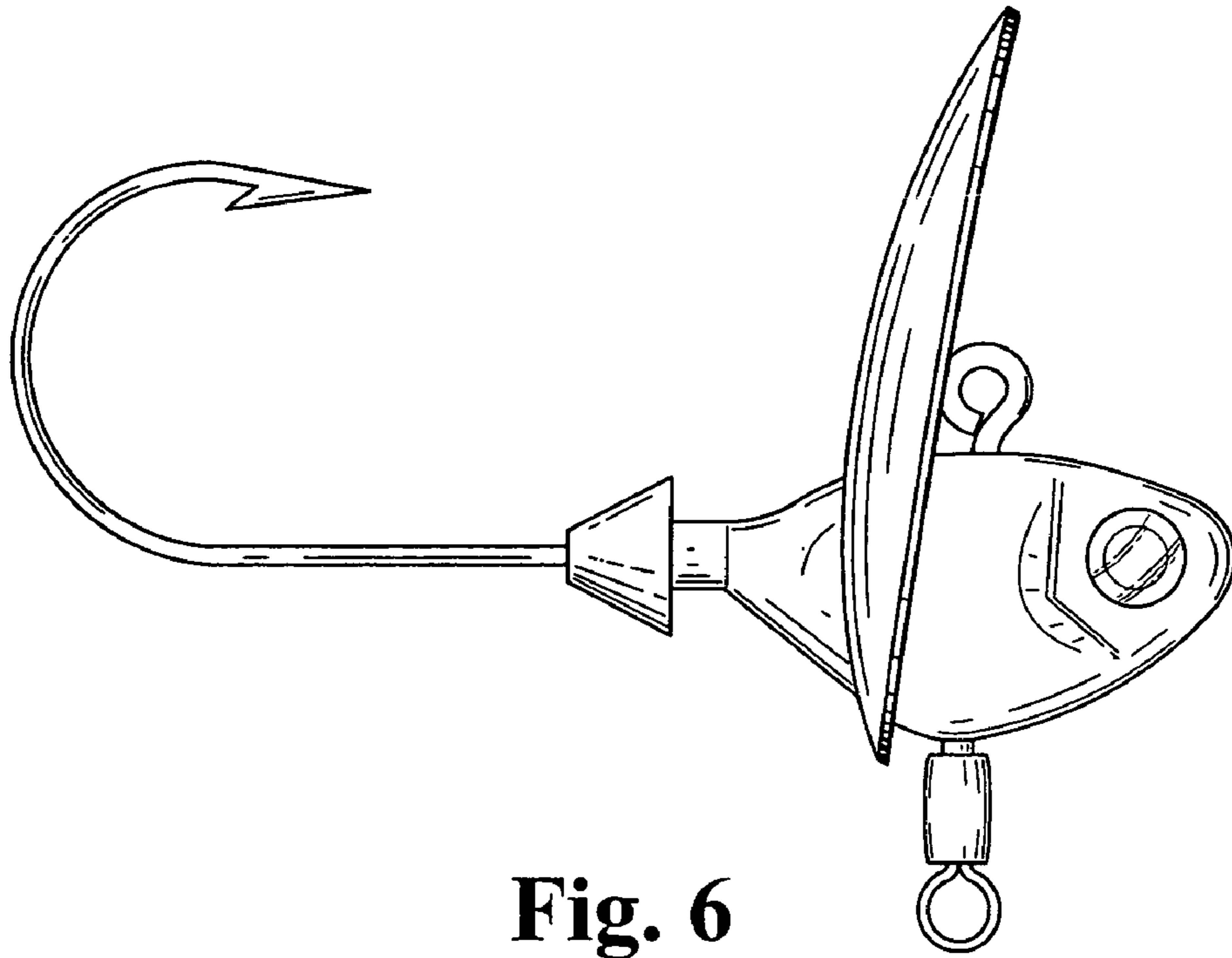


Fig. 6

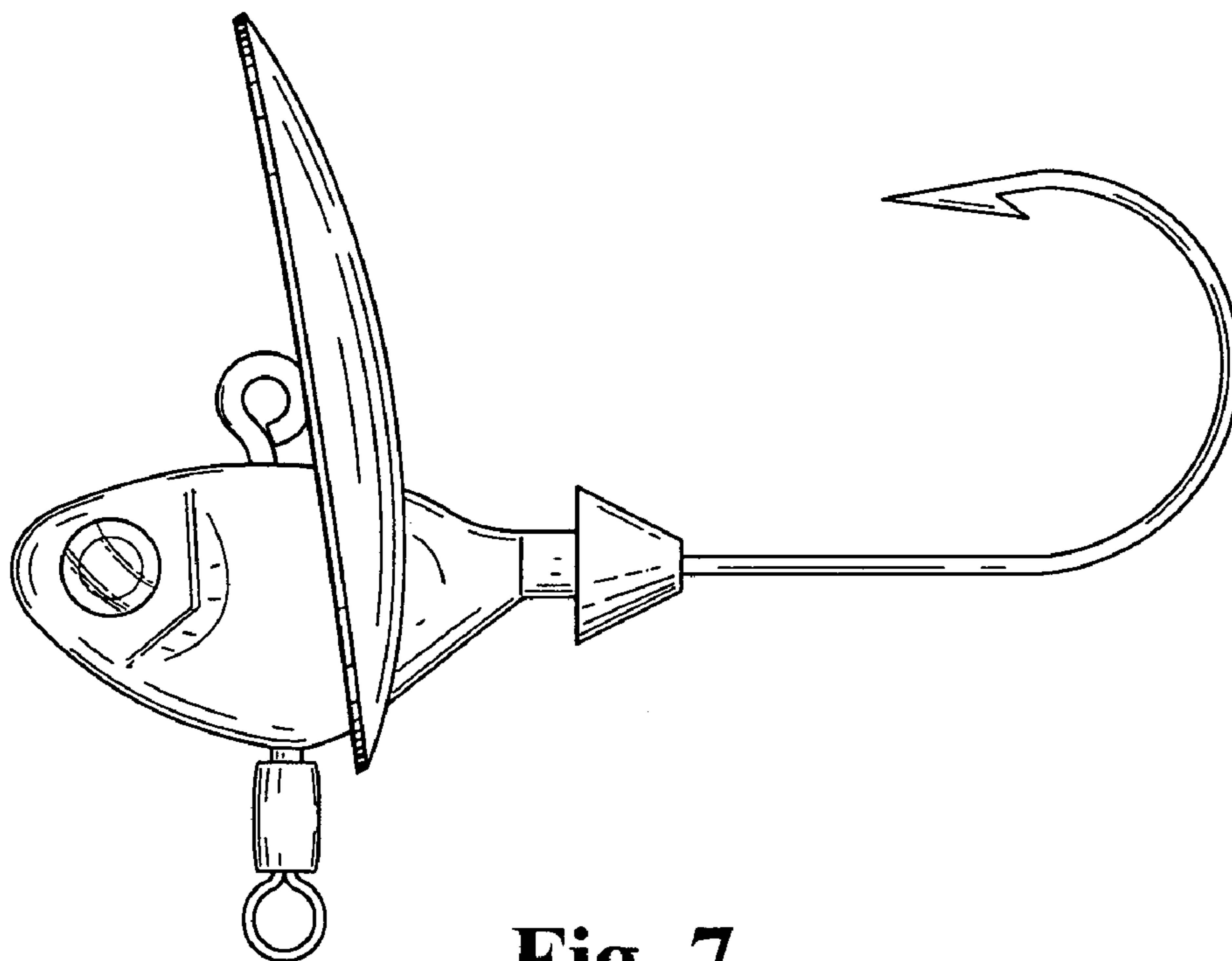


Fig. 7