



US00D556850S

(12) **United States Design Patent**
Kincel

(10) **Patent No.:** **US D556,850 S**

(45) **Date of Patent:** **** *Dec. 4, 2007**

(54) **SLING MOUNTING APPARATUS**

(75) Inventor: **Eric S. Kincel**, Coeur d'Alene, ID (US)

(73) Assignee: **Tactical Link, LLC**, Bellevue, WA (US)

(*) Notice: This patent is subject to a terminal disclaimer.

(**) Term: **14 Years**

(21) Appl. No.: **29/212,815**

(22) Filed: **Sep. 8, 2004**

(51) **LOC (8) Cl.** **22-01**

(52) **U.S. Cl.** **D22/108**

(58) **Field of Classification Search** D22/108,
D22/109, 199; D3/222, 223; 42/85, 94,
42/124-128; 89/37.01, 37.04, 37.12; 224/149,
224/150, 913; D6/315, 318, 327, 328; 24/2.5,
24/24

See application file for complete search history.

(56) **References Cited**

U.S. PATENT DOCUMENTS

5,303,859	A *	4/1994	Jenkin	224/149
6,260,748	B1 *	7/2001	Lindsey	224/150
6,325,258	B1 *	12/2001	Verdugo et al.	224/150
6,536,153	B2 *	3/2003	Lindsey	42/85
D495,870	S *	9/2004	Verdugo	D22/108

D508,726	S *	8/2005	Storch	D22/108
D525,336	S *	7/2006	Esch	D22/108

* cited by examiner

Primary Examiner—Ian Simmons

Assistant Examiner—Melanie Levy

(74) *Attorney, Agent, or Firm*—Seed IP Law Group PLLC

(57) **CLAIM**

The ornamental design for a sling mounting apparatus, as shown and described.

DESCRIPTION

FIG. 1 is a perspective view of a sling mounting apparatus showing my new design;

FIG. 2 is a top view thereof;

FIG. 3 is a left view thereof, the right view being a mirror image thereto;

FIG. 4 is a bottom view thereof;

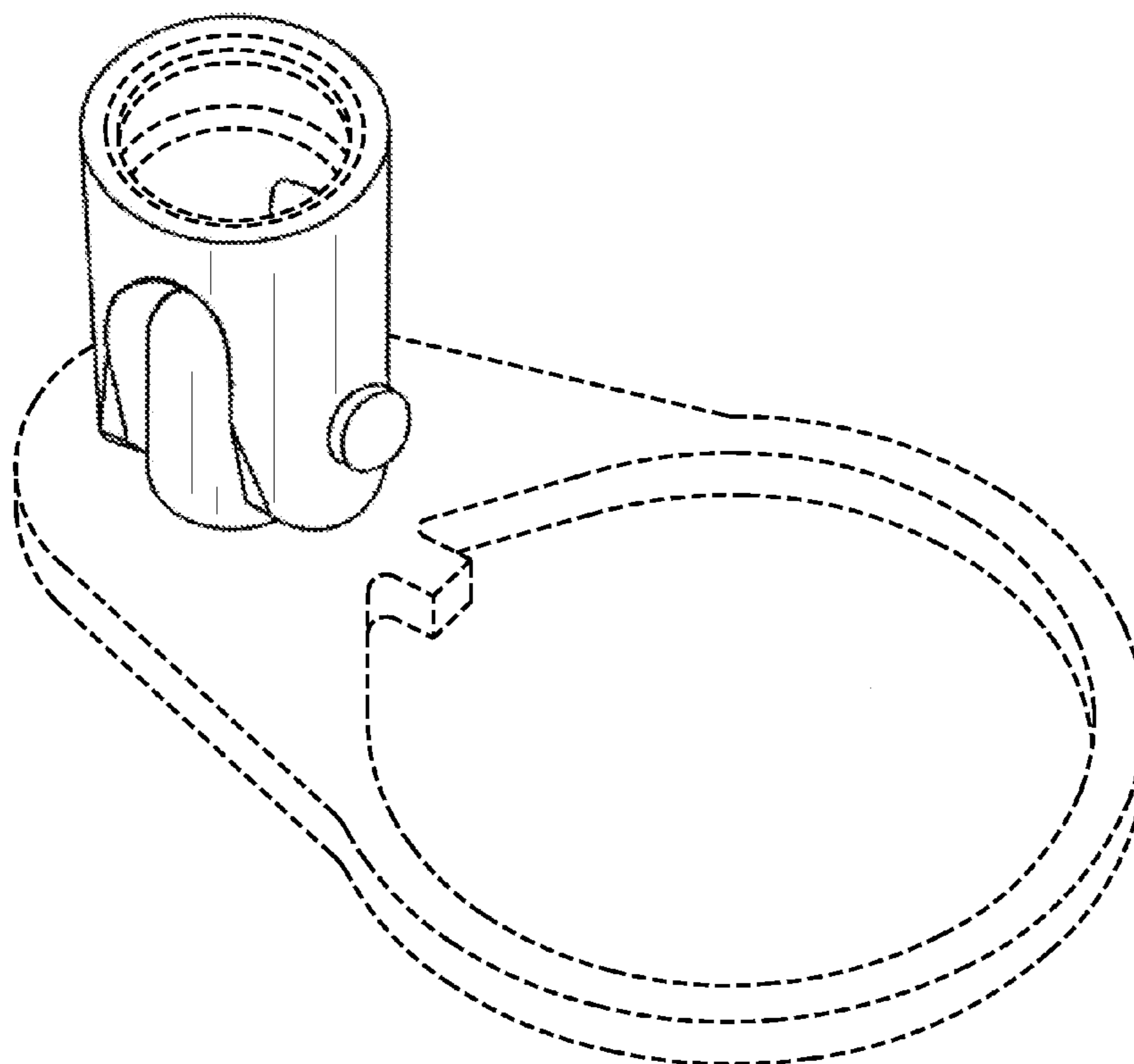
FIG. 5 is a front view thereof;

FIG. 6 is a rear view thereof; and,

FIG. 7 is a perspective view of the sling mounting apparatus of FIG. 1 with a portion thereof pivoted into a second position.

The broken line showings of the sling mounting apparatus are for illustrative purposes only and form no part of the claimed design.

1 Claim, 2 Drawing Sheets



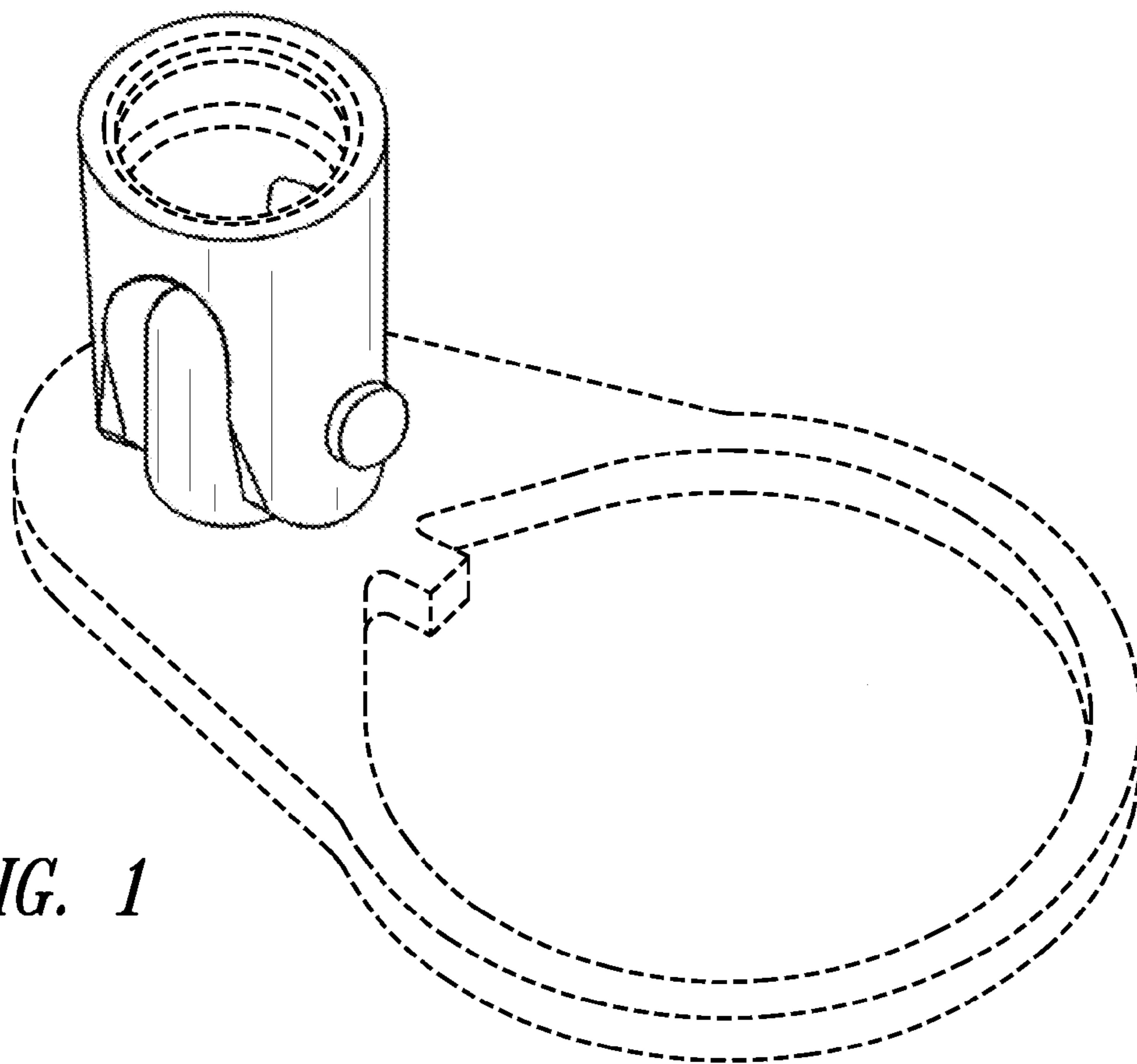


FIG. 1

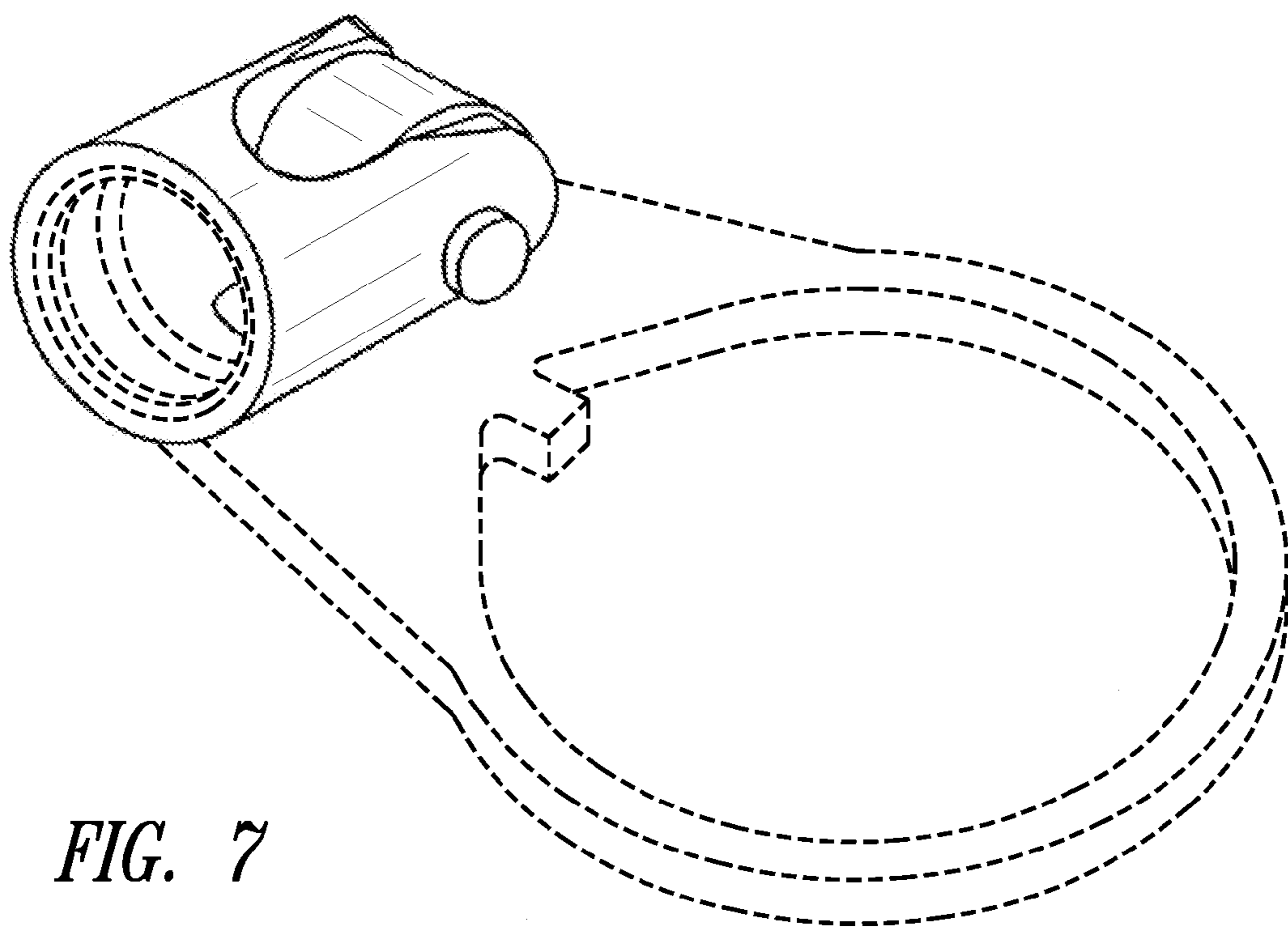


FIG. 7

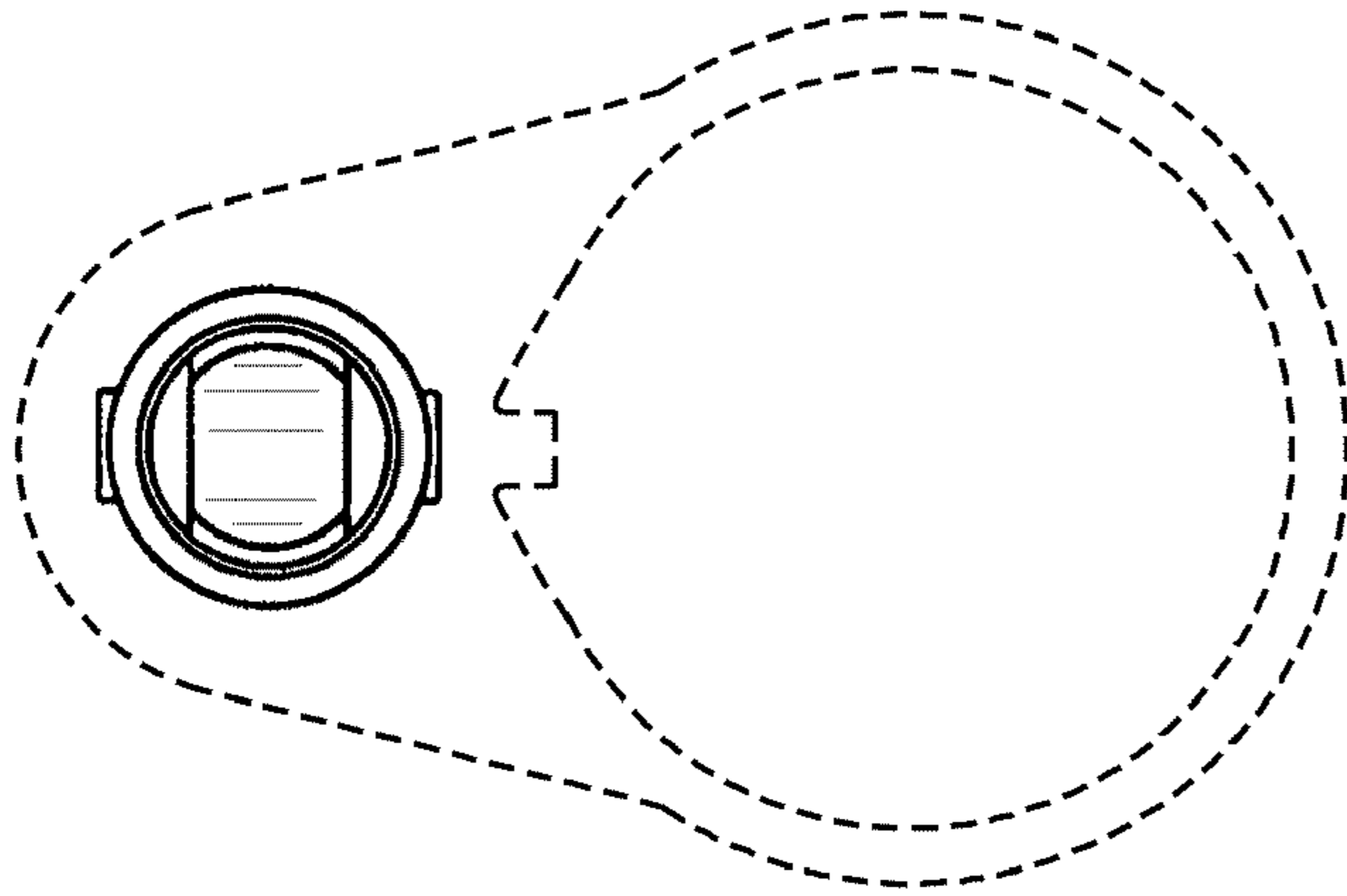


FIG. 2

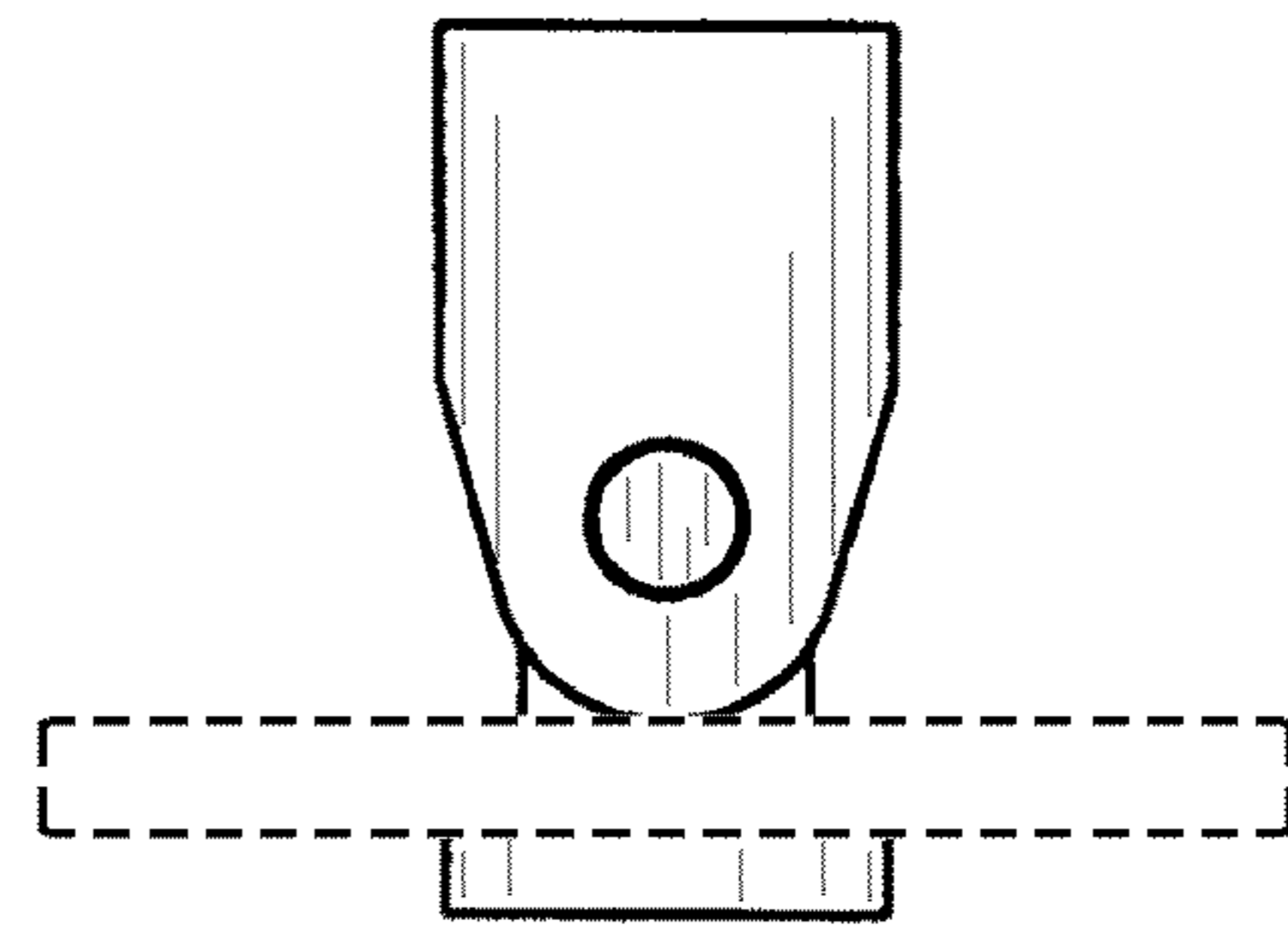


FIG. 5

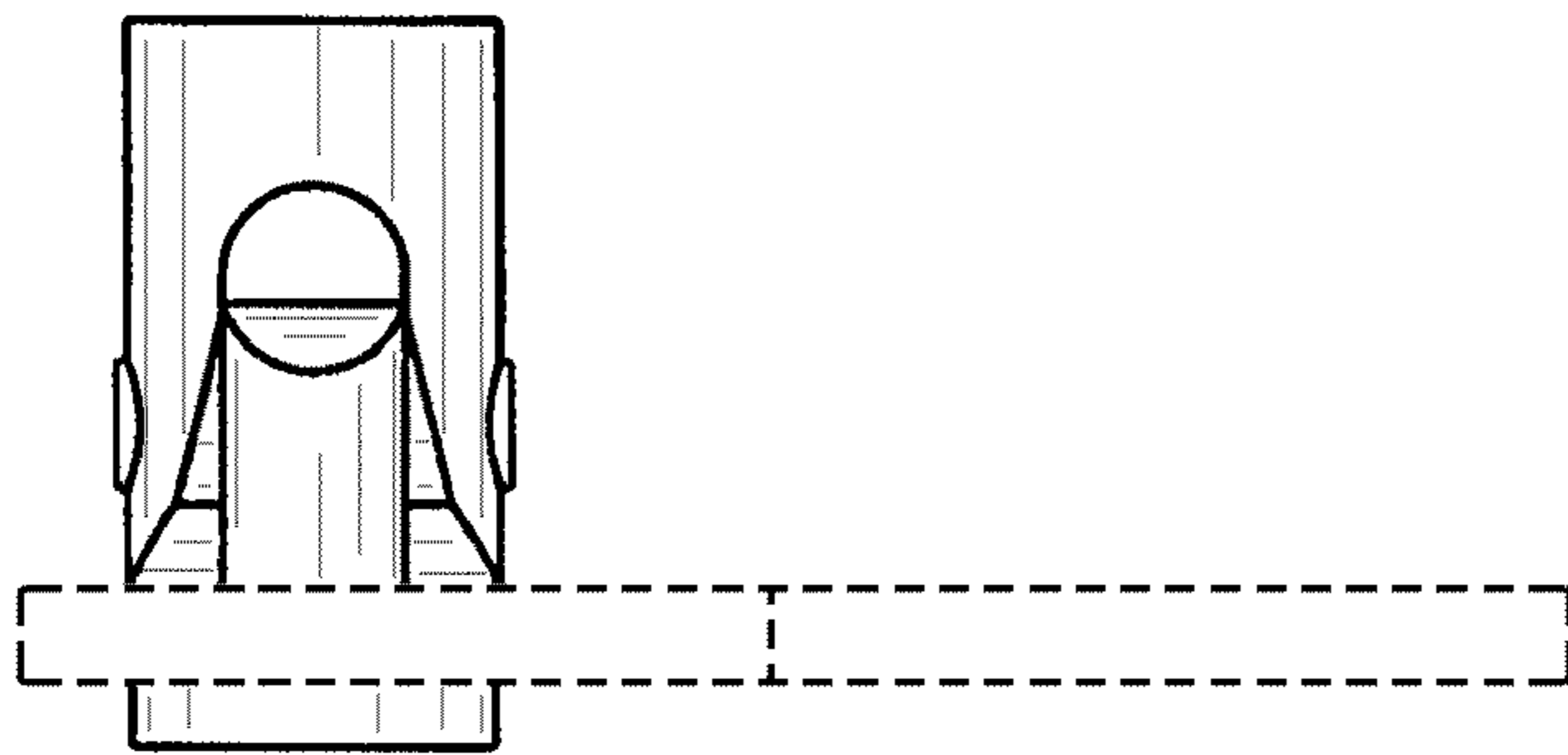


FIG. 3

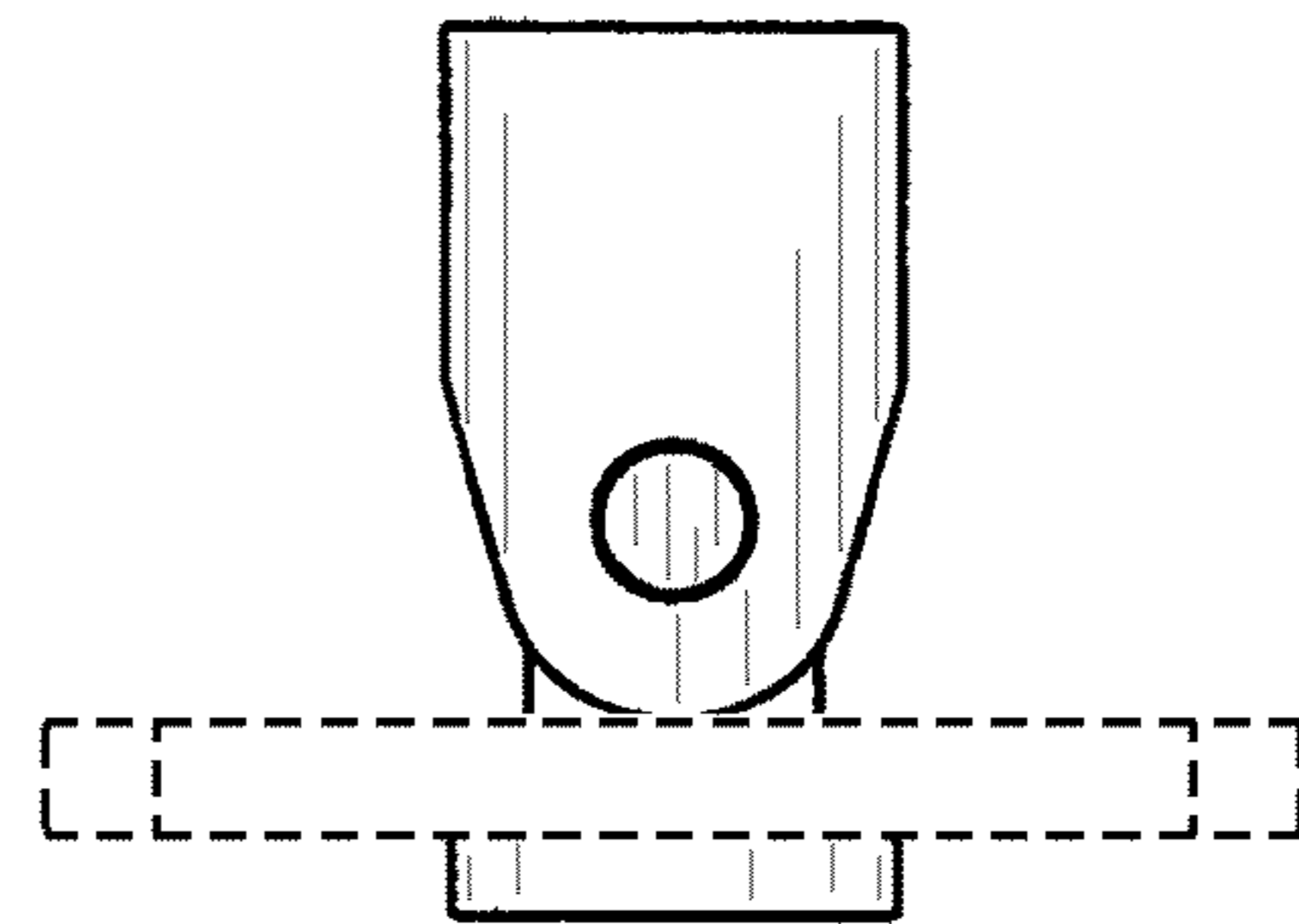


FIG. 6

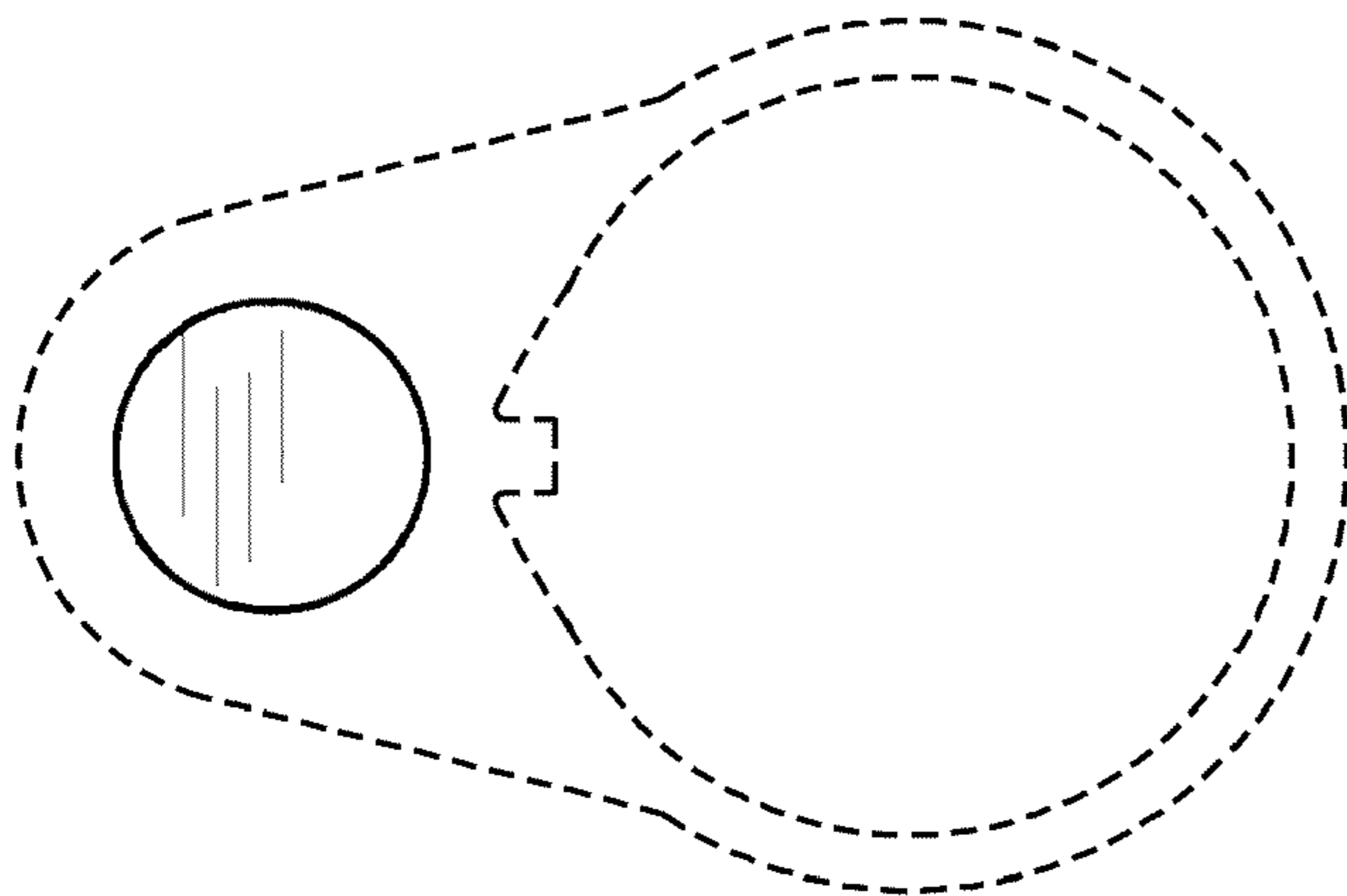


FIG. 4