



US00D556849S

(12) **United States Design Patent**
Ferraro, Sr. et al.

(10) **Patent No.:** **US D556,849 S**
(45) **Date of Patent:** **** Dec. 4, 2007**

(54) **INFLATABLE WATER SLIDE, POOL AND PLAY AREA**

D540,413 S * 4/2007 McKee et al. D21/818

* cited by examiner

(75) Inventors: **Allan R. Ferraro, Sr.**, Attleboro, MA (US); **Dean F. Robinson**, Dighton, MA (US)

Primary Examiner—Mitchell Siegel
(74) *Attorney, Agent, or Firm*—Lowrie, Lando & Anastasi, LLP

(73) Assignee: **Aqua-Leisure Industries, Inc.**, Avon, MA (US)

(57) **CLAIM**

(**) Term: **14 Years**

The ornamental design for an inflatable water slide, pool, and play area, as shown.

(21) Appl. No.: **29/264,868**

DESCRIPTION

(22) Filed: **Aug. 21, 2006**

FIG. 1 is a perspective view of the inflatable water slide, pool, and play area according to my new design, as seen from the front right corner thereof.

(51) **LOC (8) Cl.** **21-03**

(52) **U.S. Cl.** **D21/820; D21/815; D21/819; D21/835**

FIG. 2 is a perspective view as seen from the rear left corner.

(58) **Field of Classification Search** D21/815, D21/818–822, 835; 472/116–117

FIG. 3 is a perspective view as seen from the front left corner.

See application file for complete search history.

FIG. 4 is a perspective view as seen from the rear right corner.

(56) **References Cited**

U.S. PATENT DOCUMENTS

- D328,326 S * 7/1992 Kuan D21/818
- D340,965 S * 11/1993 Lee D21/818
- D440,622 S * 4/2001 Gourchounian D21/820
- D441,416 S * 5/2001 Gourchounian D21/820
- D460,141 S * 7/2002 Gourchounian D21/820
- D522,082 S * 5/2006 Peterson D21/818

FIG. 5 is a top plan view.

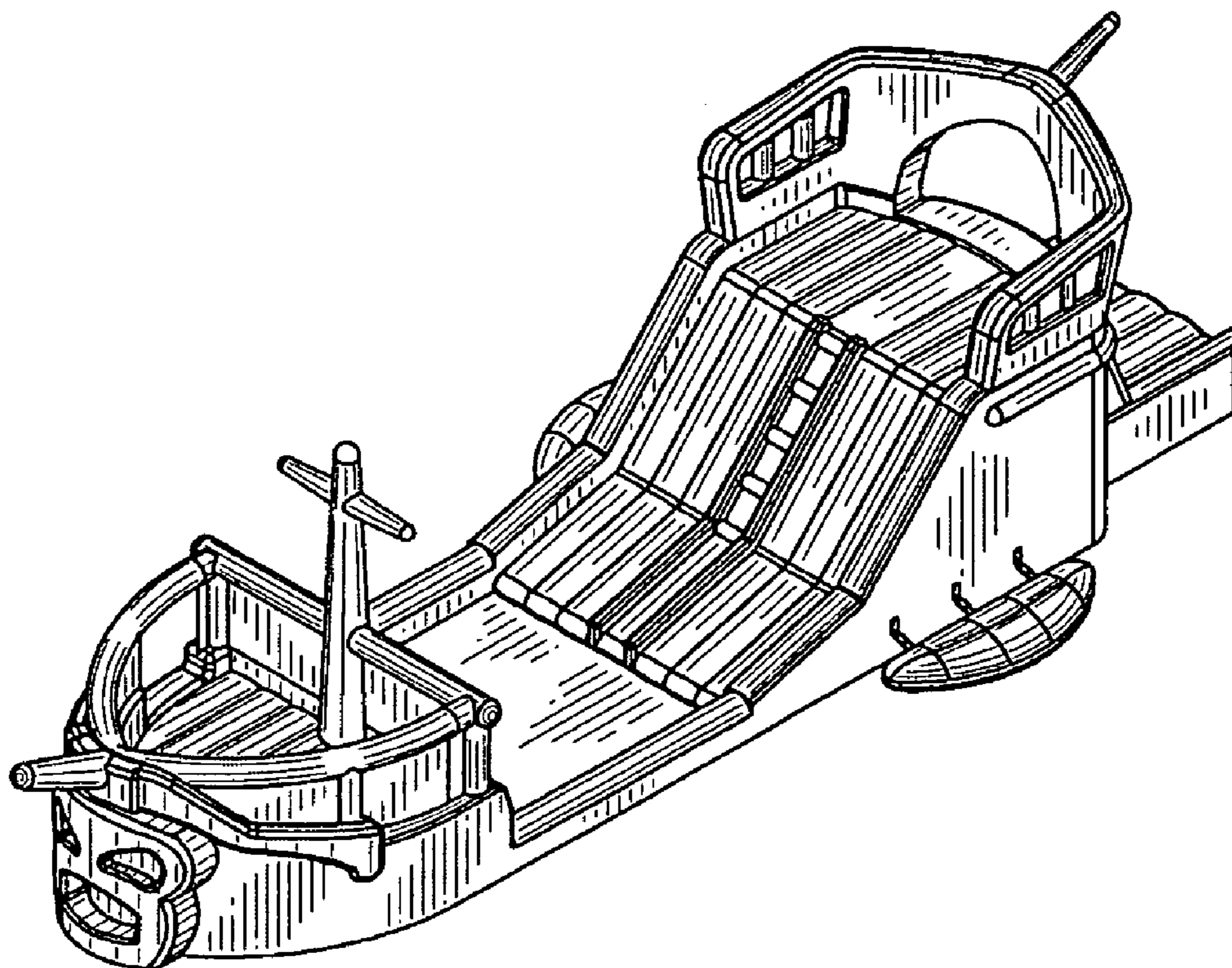
FIG. 6 is a right side elevational view.

FIG. 7 is a rear elevational view.

FIG. 8 is a left side elevational view; and,

FIG. 9 is a front elevational view.

1 Claim, 4 Drawing Sheets



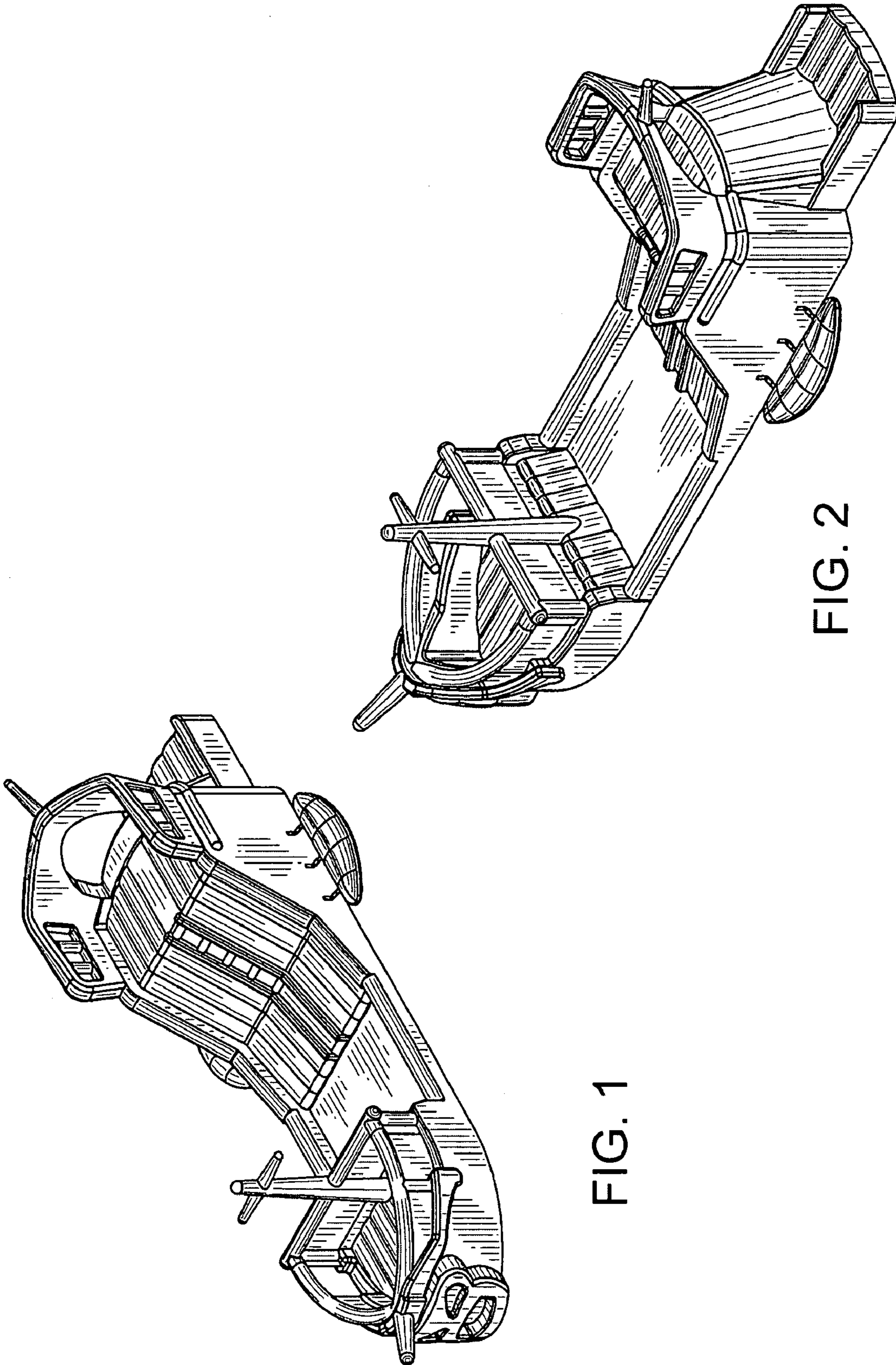


FIG. 1

FIG. 2

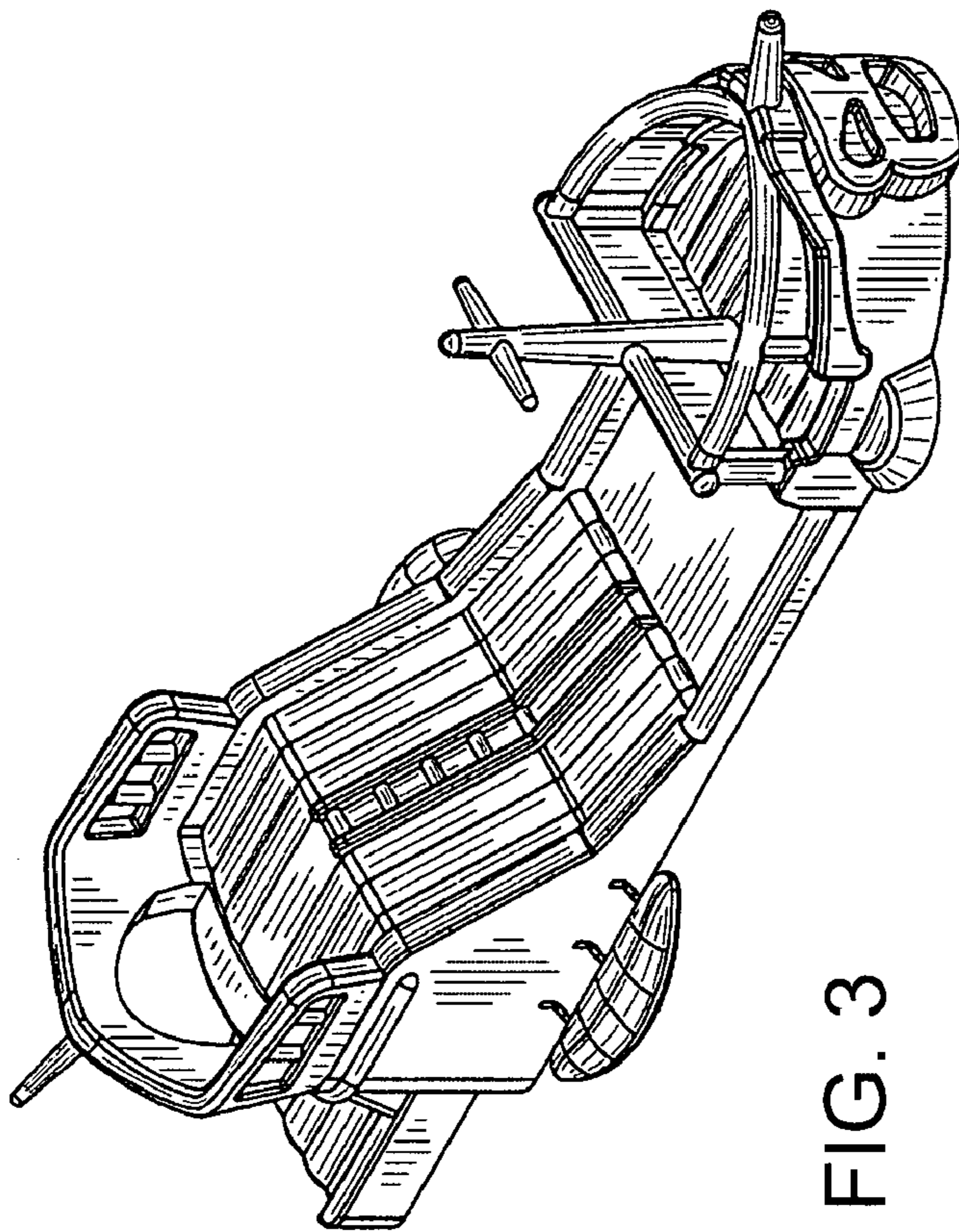


FIG. 3

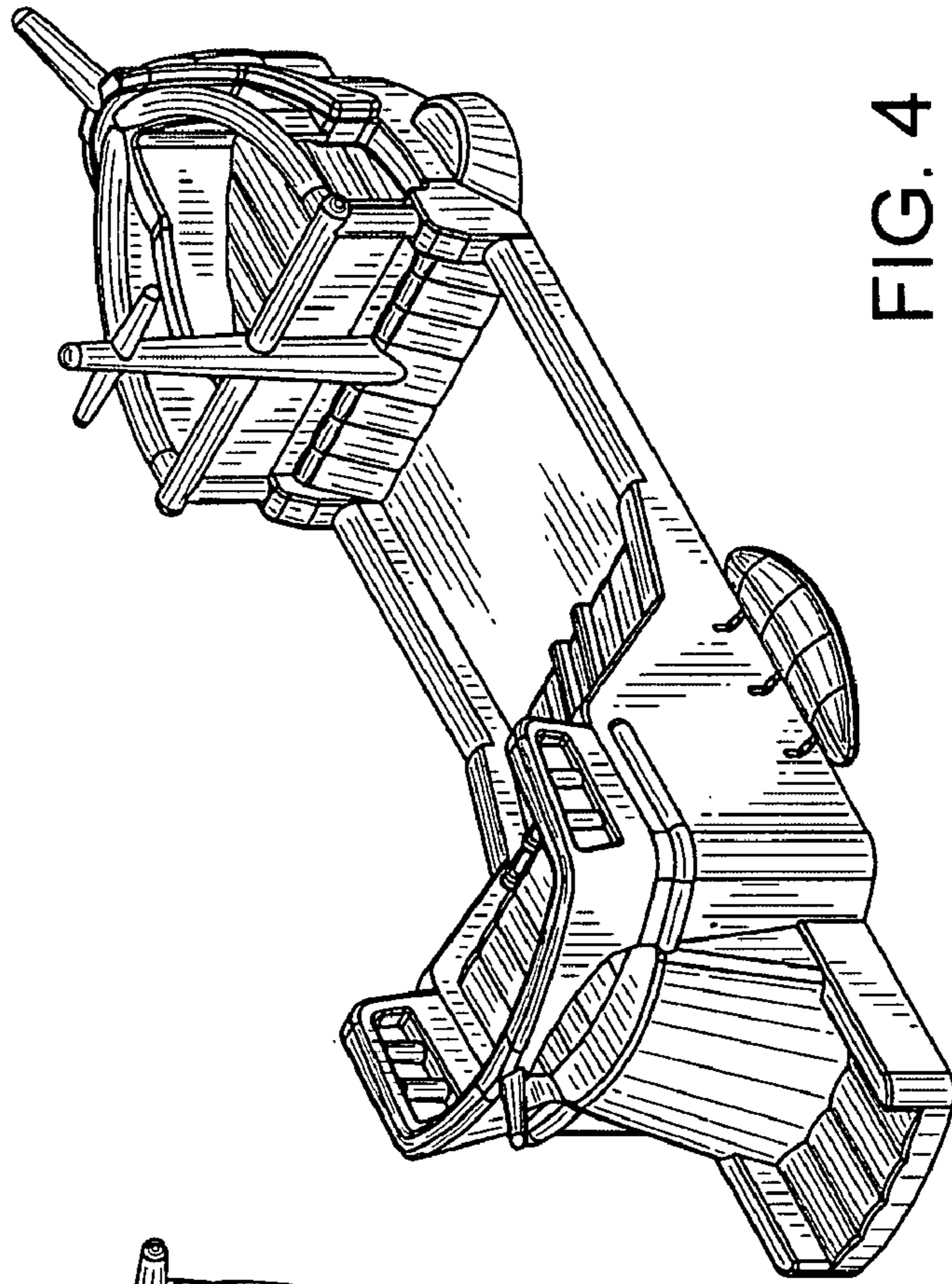


FIG. 4

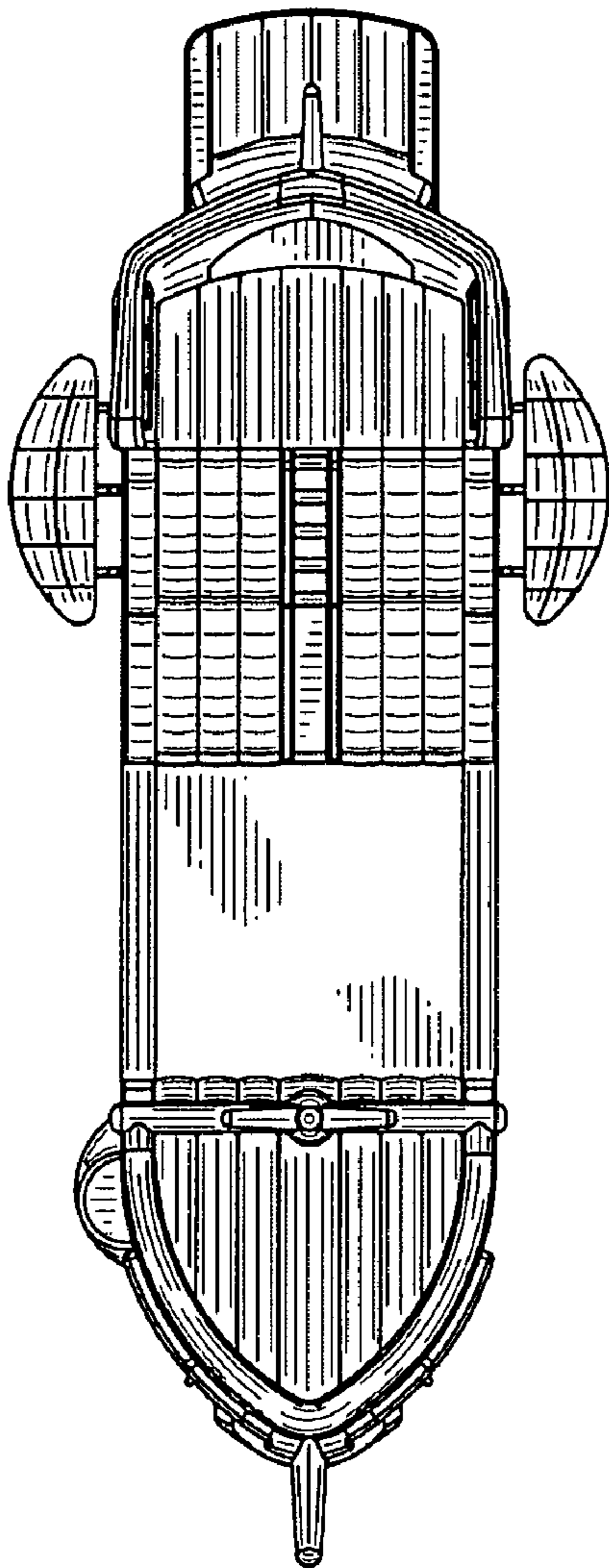


FIG. 5

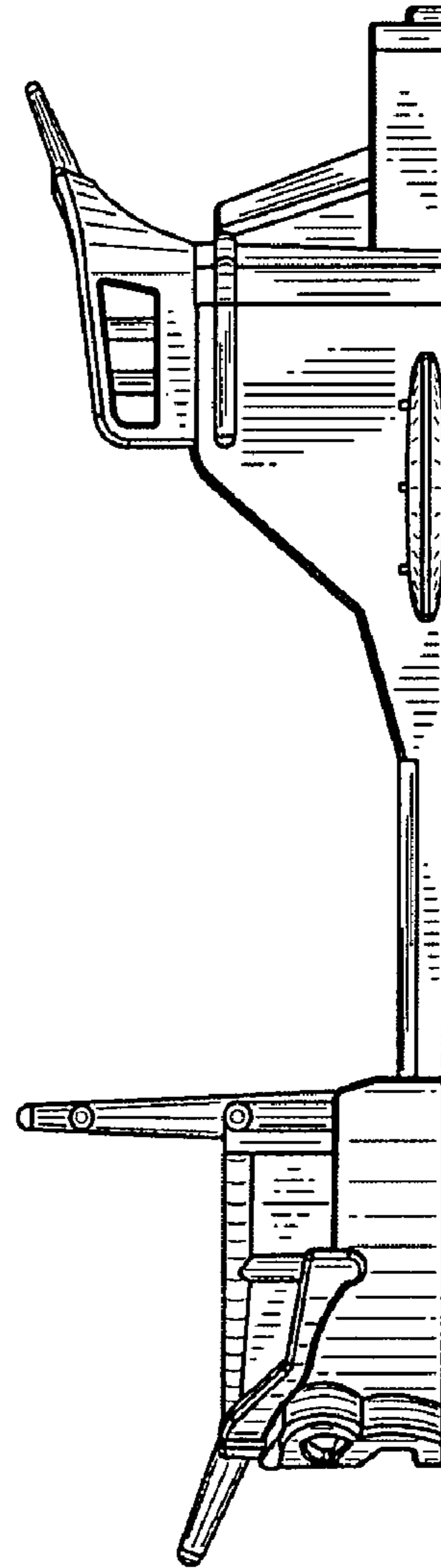


FIG. 6

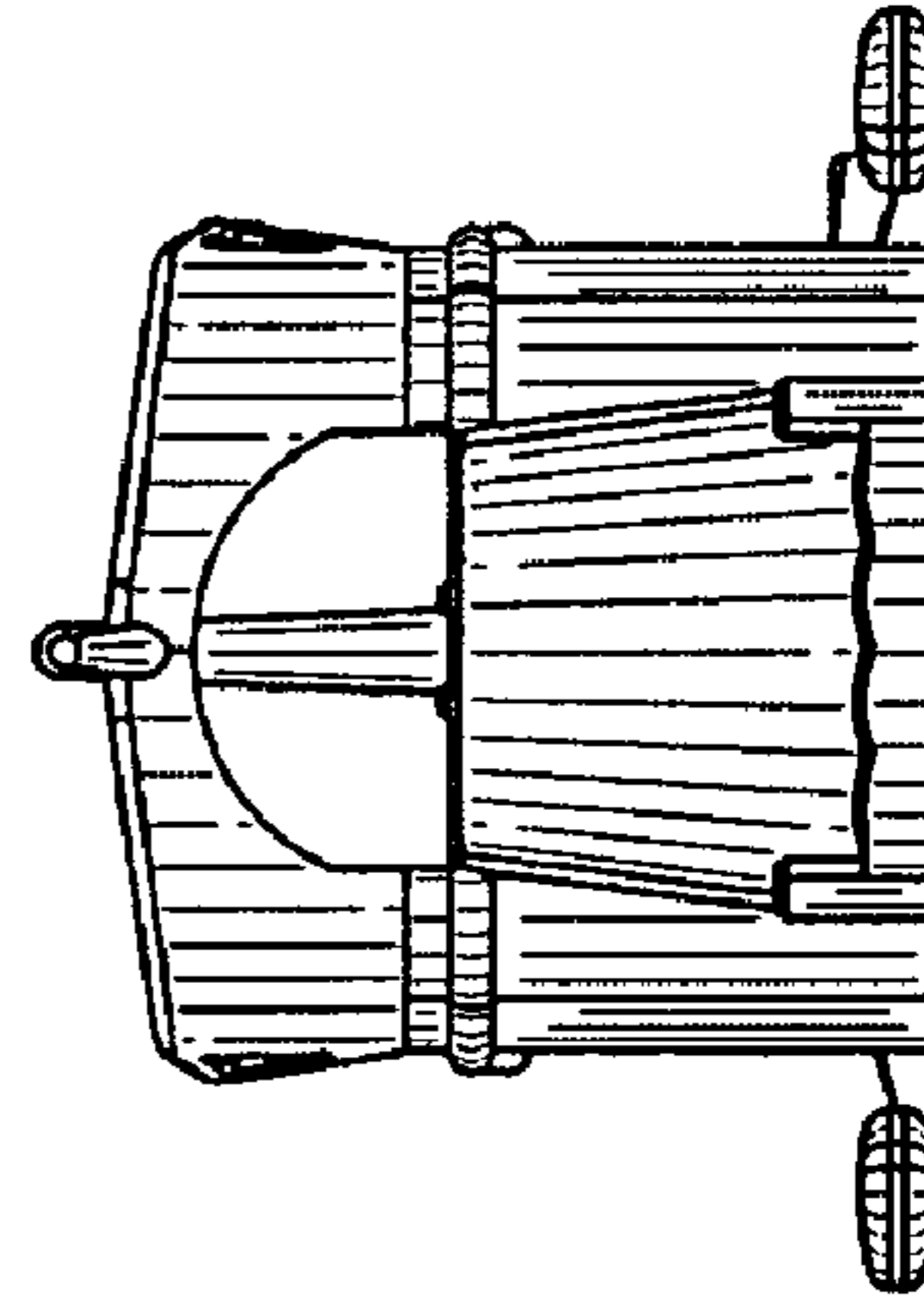


FIG. 7

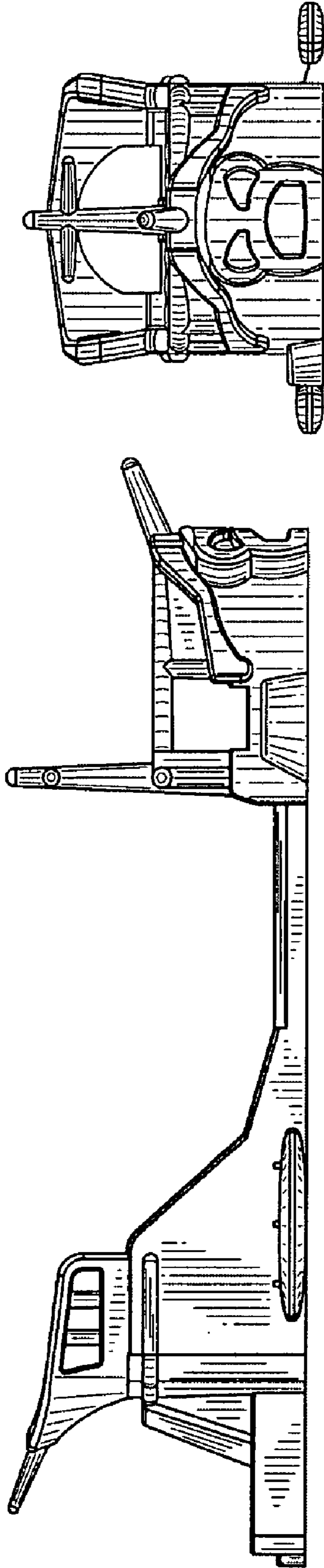


FIG. 8

FIG. 9