



US00D556848S

(12) **United States Design Patent**
Ruggiero et al.

(10) **Patent No.:** **US D556,848 S**

(45) **Date of Patent:** **** Dec. 4, 2007**

(54) **REAR CAVITY FOR AN IRON TYPE GOLF CLUB HEAD**

(75) Inventors: **John Ruggiero**, McKinney, TX (US);
Nathan Tierney, Plano, TX (US);
Steve Amigh, Plano, TX (US); **Tim Reed**, Allen, TX (US)

(73) Assignee: **Adams Golf IP, L.P.**, Plano, TX (US)

(**) Term: **14 Years**

(21) Appl. No.: **29/268,737**

(22) Filed: **Nov. 13, 2006**

(51) **LOC (8) Cl.** **21-02**

(52) **U.S. Cl.** **D21/759**

(58) **Field of Classification Search** D21/747-751,
D21/759; 473/324-331, 350
See application file for complete search history.

(56) **References Cited**

U.S. PATENT DOCUMENTS

D300,547 S * 4/1989 Kobayashi D21/748
D534,609 S * 1/2007 Gilbert et al. D21/759
D540,901 S * 4/2007 Gilbert et al. D21/759

D541,363 S * 4/2007 Gilbert et al. D21/759

* cited by examiner

Primary Examiner—Mitchell Siegel

(74) *Attorney, Agent, or Firm*—Welsh & Flaxman LLC

(57) **CLAIM**

The ornamental design for a rear cavity for an iron type golf club head, as shown and described.

DESCRIPTION

FIG. 1 is a top rear perspective view from the heel side of a rear cavity of an iron type golf club showing my new design.

FIG. 2 is a bottom rear perspective view from the toe side thereof.

FIG. 3 is a rear view thereof.

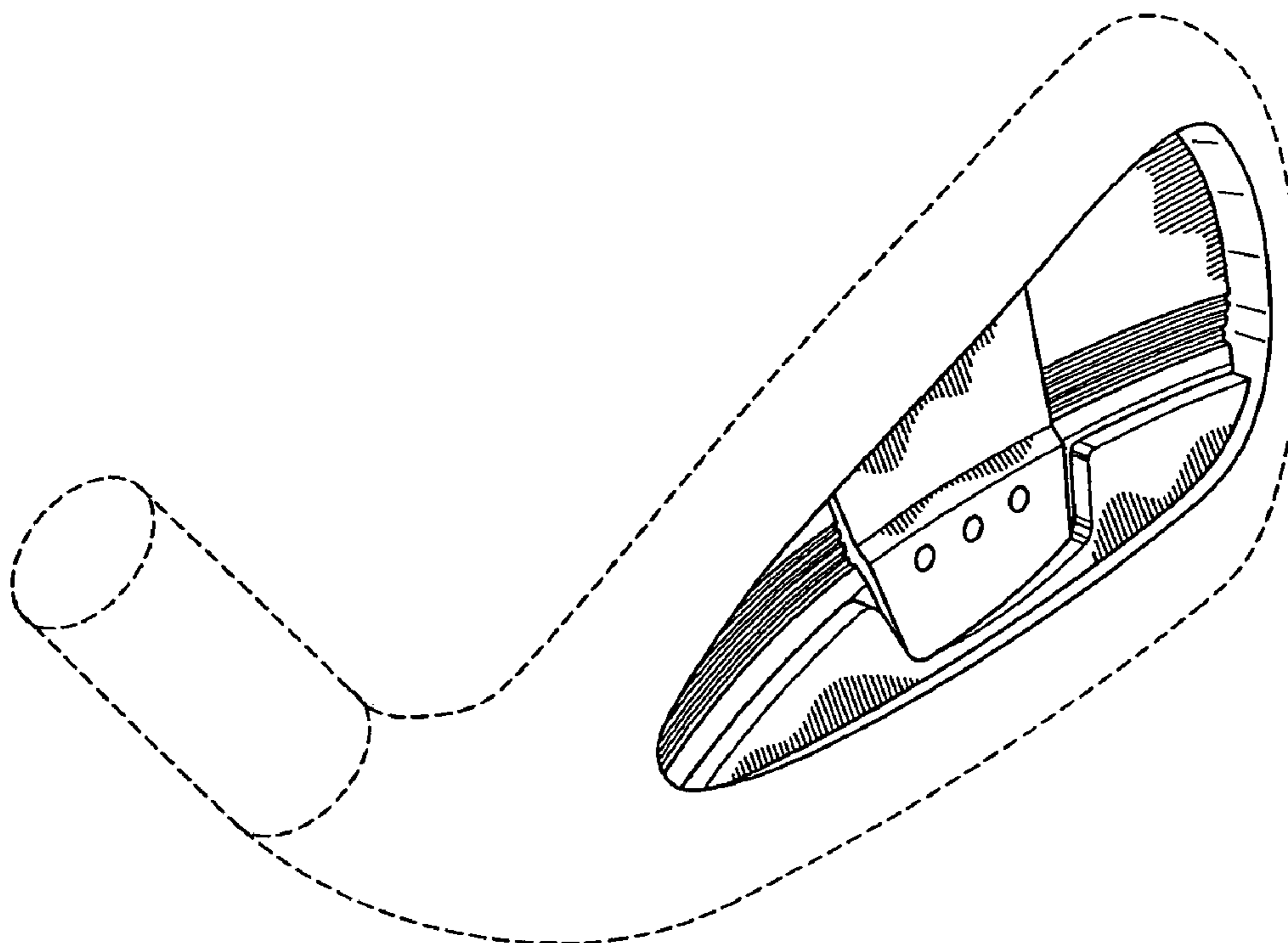
FIG. 4 is a bottom plan view thereof.

FIG. 5 is a heel side view thereof; and,

FIG. 6 is a toe side view thereof.

The broken line showing of is included for the purpose of illustrating and forms no part of the claimed design.

1 Claim, 3 Drawing Sheets



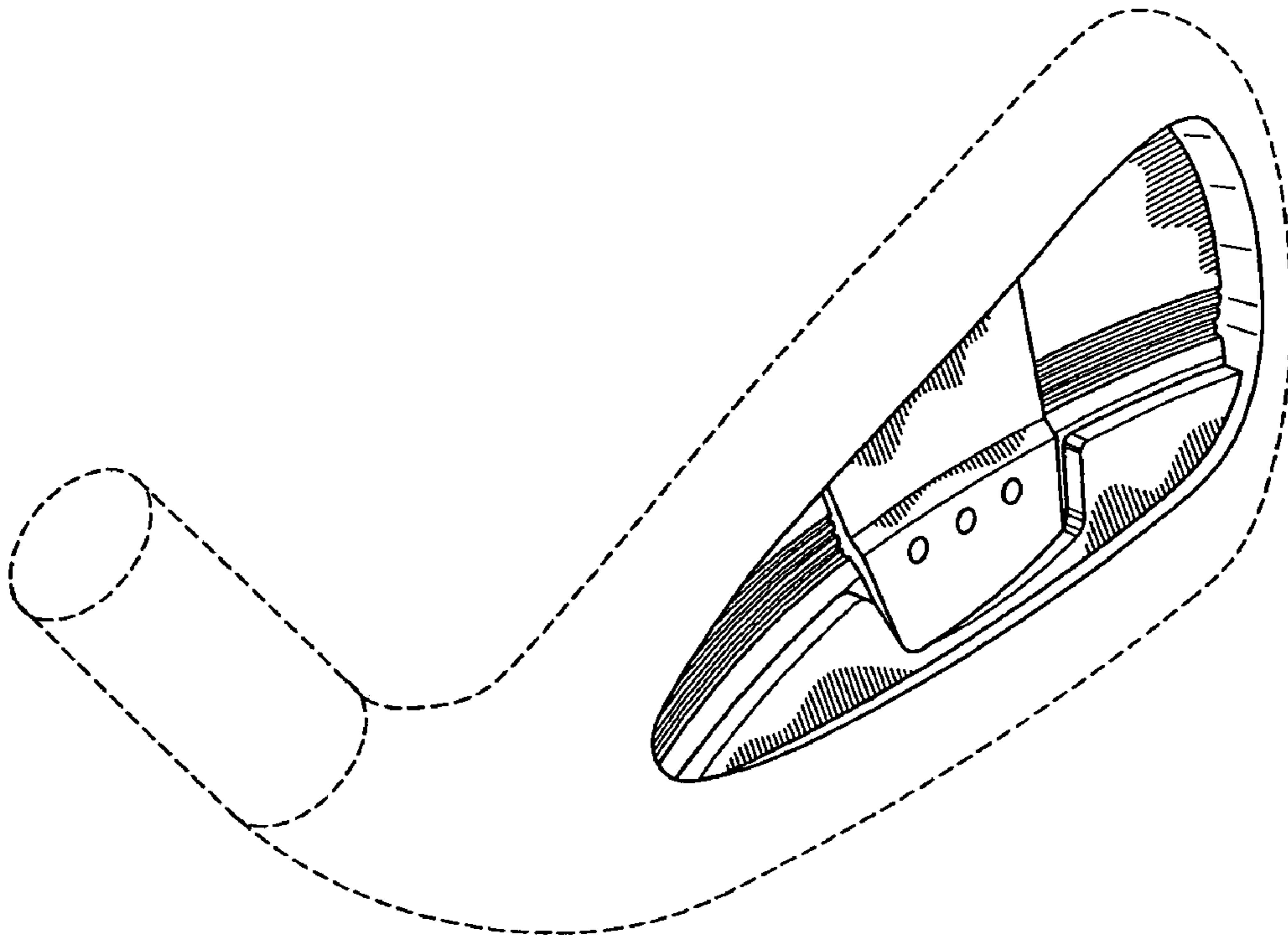


FIG. 1

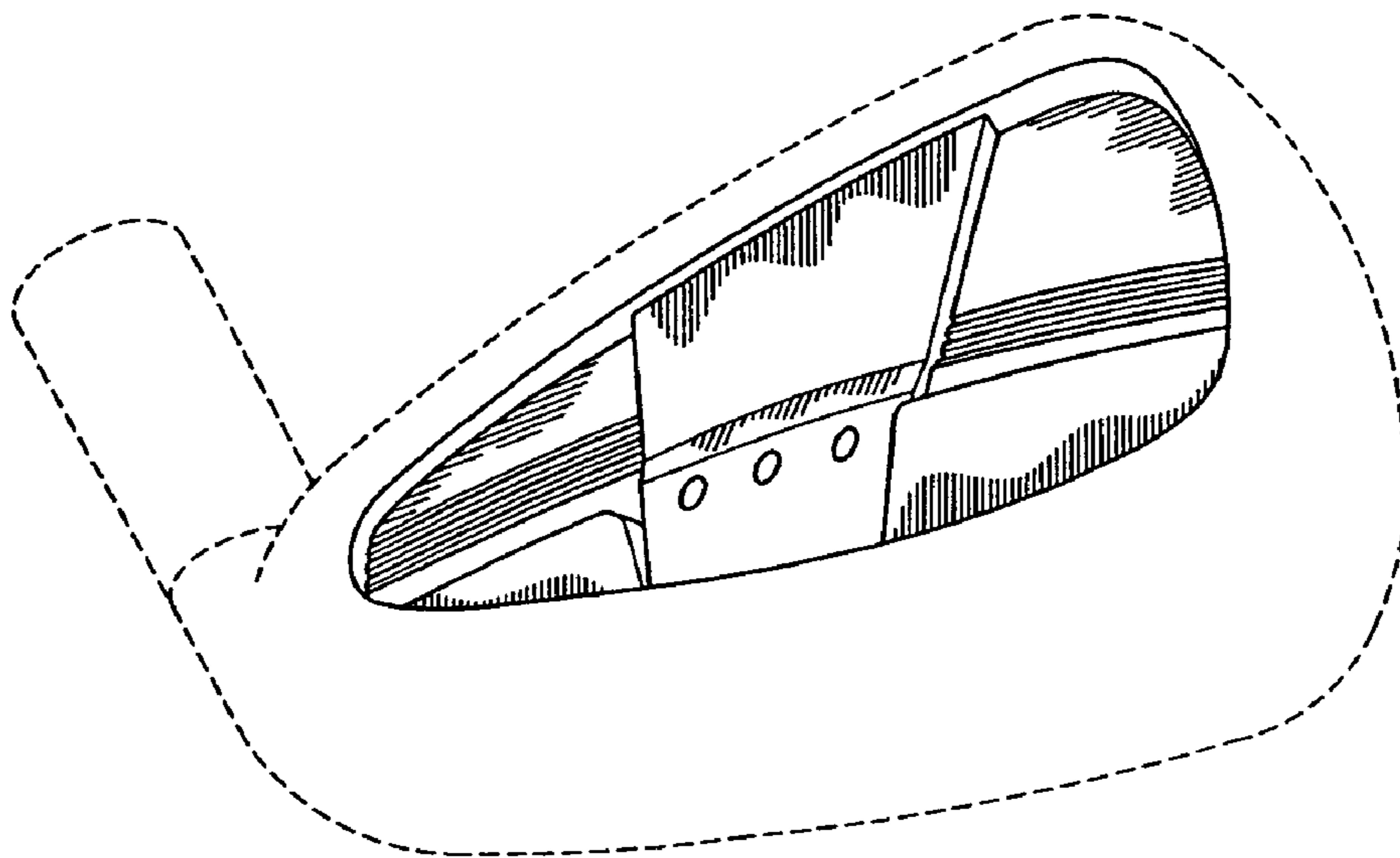


FIG. 2

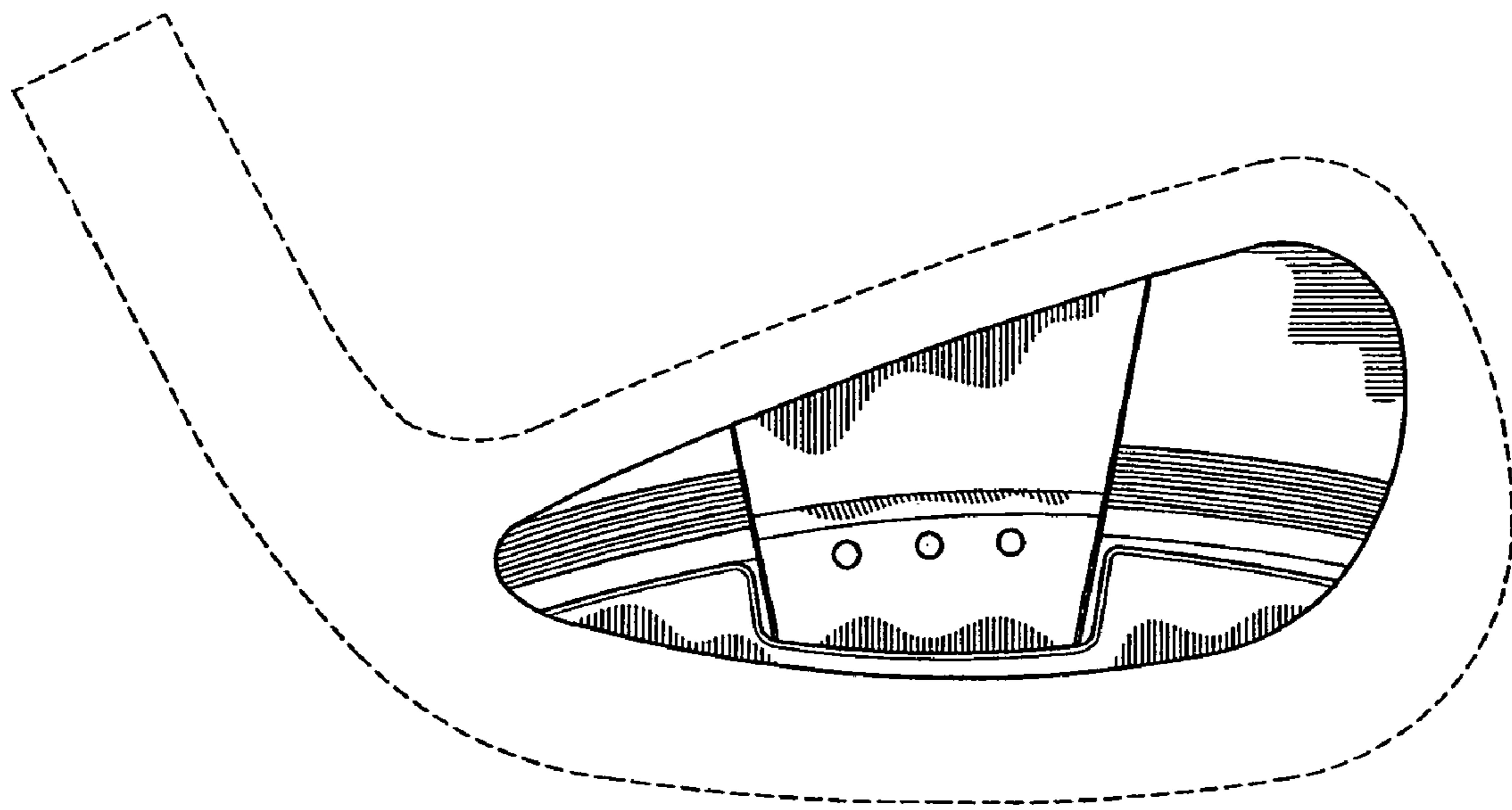


FIG. 3

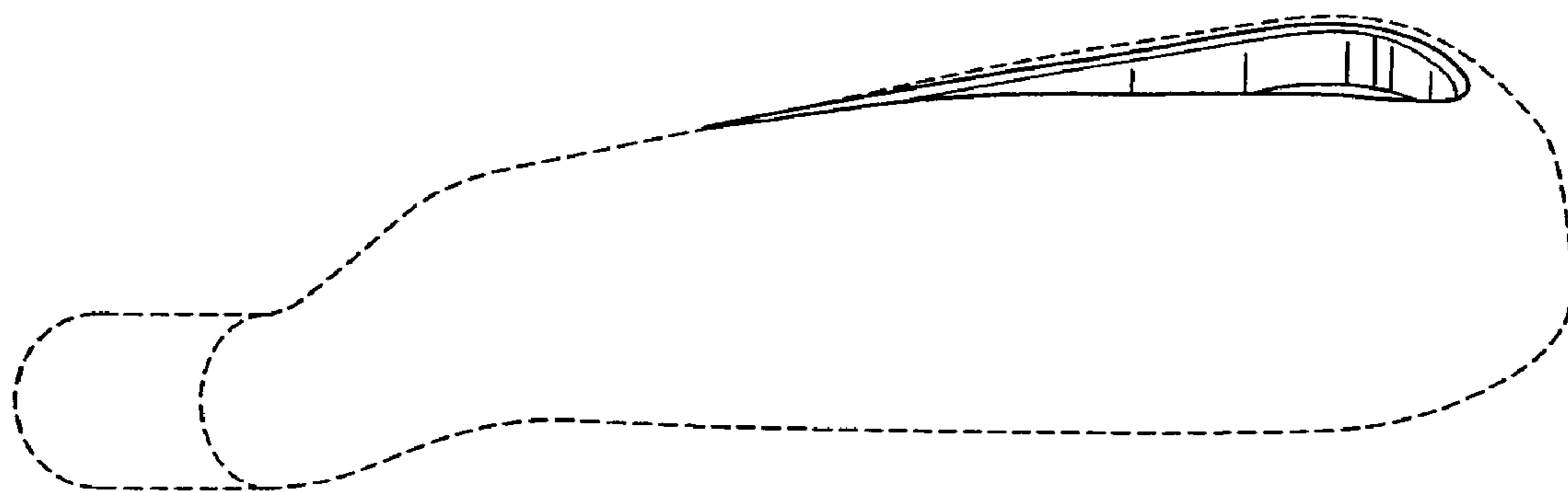


FIG. 4

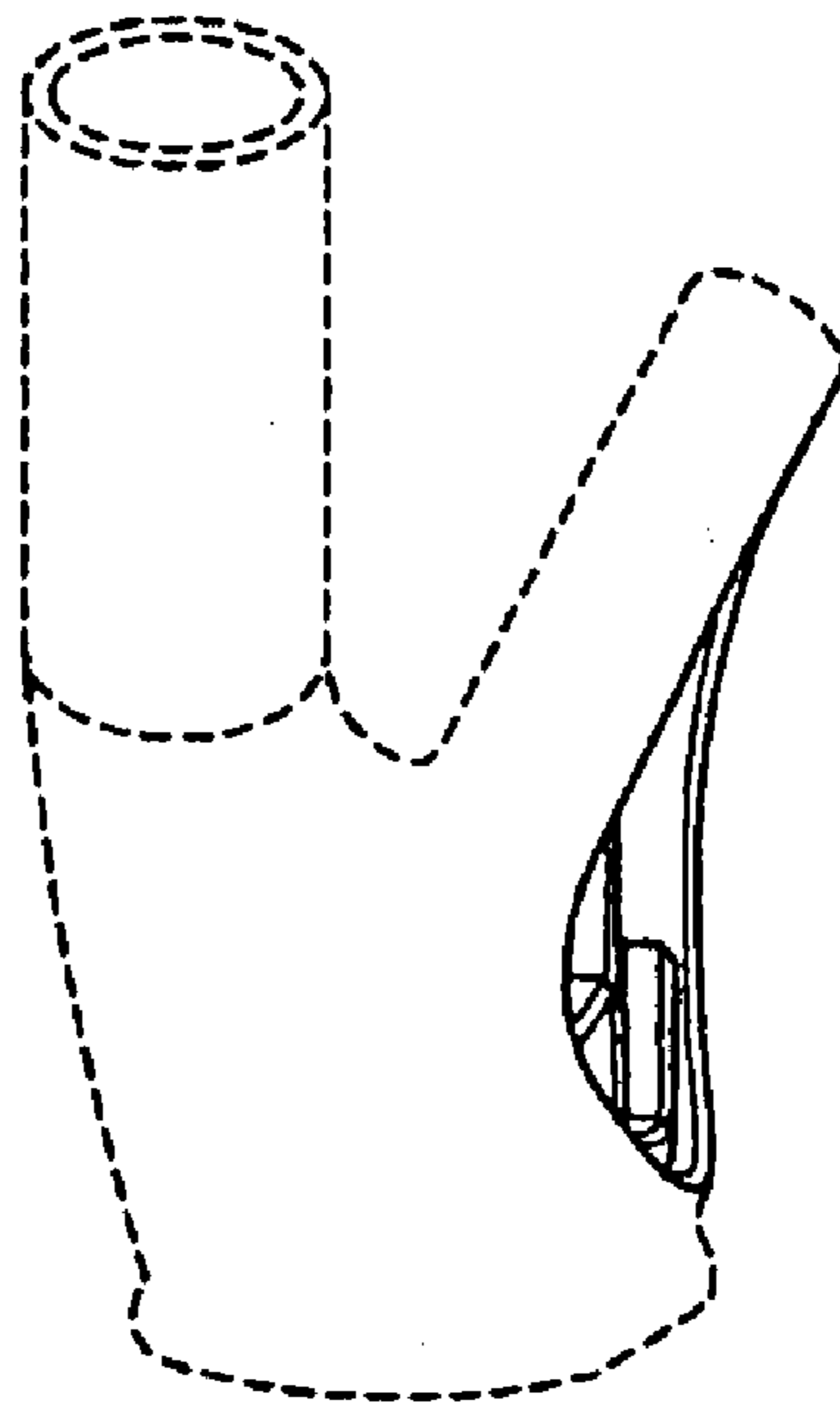


FIG. 5

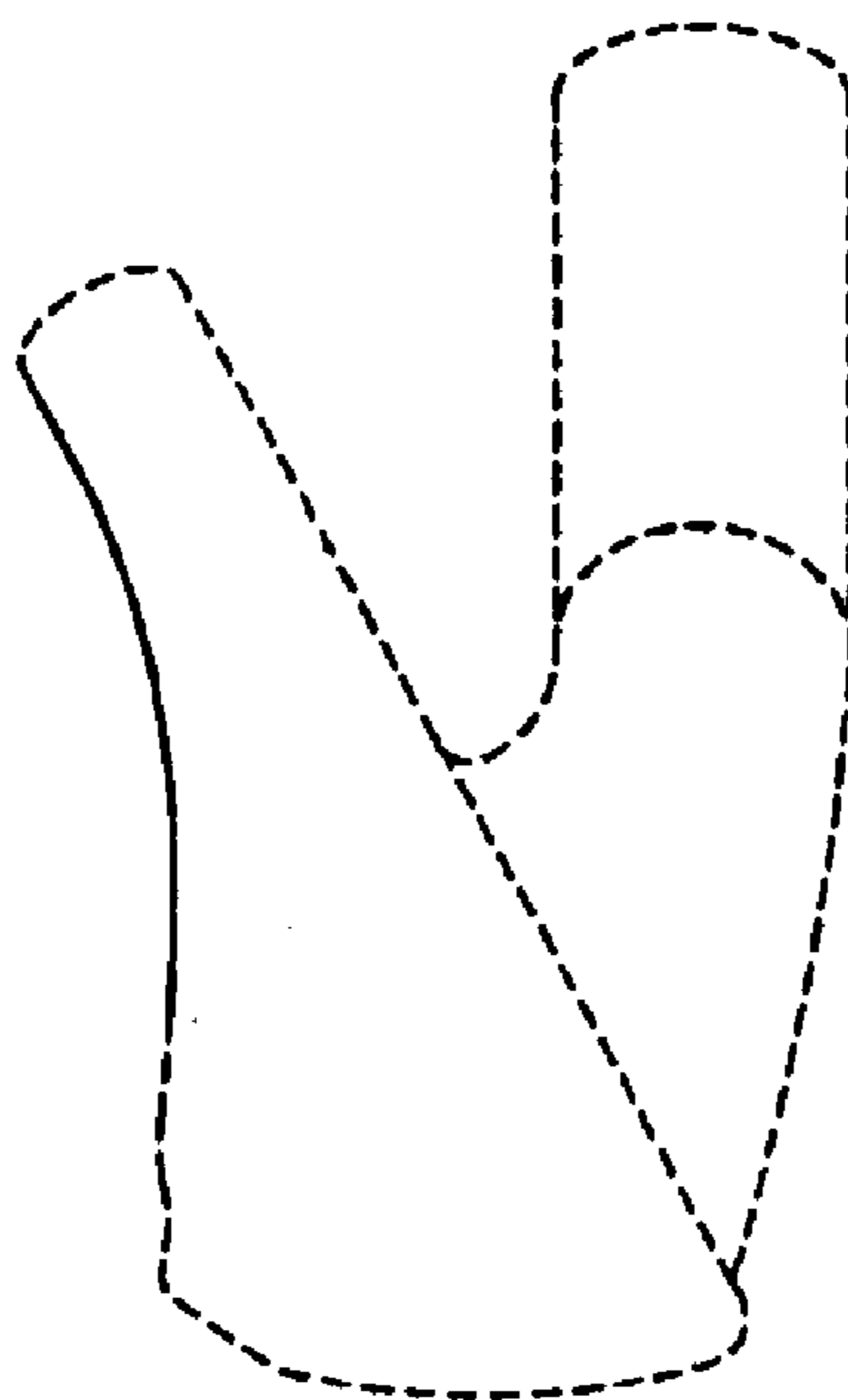


FIG. 6