



US00D556845S

(12) **United States Design Patent**  
**Lee**

(10) **Patent No.:** **US D556,845 S**

(45) **Date of Patent:** **\*\* Dec. 4, 2007**

(54) **HEAD COVER FOR GOLF CLUB**

6,102,810 A \* 8/2000 Boland ..... 150/160  
D438,927 S \* 3/2001 Mertens ..... D21/754

(76) Inventor: **Kang Ik Lee**, Kukdong Apt. 101-1401,  
553-62 Suyu 6-dong, Gangbuk-gu,  
Seoul, 142-883 (KR)

\* cited by examiner

*Primary Examiner*—Mitchell Siegel

(74) *Attorney, Agent, or Firm*—Rosenberg, Klein & Lee

(\*\*) Term: **14 Years**

(21) Appl. No.: **29/266,065**

(57) **CLAIM**

(22) Filed: **Sep. 14, 2006**

The ornamental design for a head cover for golf club, as shown and described.

(30) **Foreign Application Priority Data**

**DESCRIPTION**

Jul. 18, 2006 (KR) ..... 30-2006-0030152

FIG. 1 is a perspective view of the head cover for golf club showing my new design;

(51) **LOC (8) Cl.** ..... **21-02**

FIG. 2 is the front view thereof;

(52) **U.S. Cl.** ..... **D21/754**

FIG. 3 is the rear view thereof;

(58) **Field of Classification Search** ..... D21/754;  
150/160

FIG. 4 is the left side view thereof;

See application file for complete search history.

FIG. 5 is the right side view thereof;

(56) **References Cited**

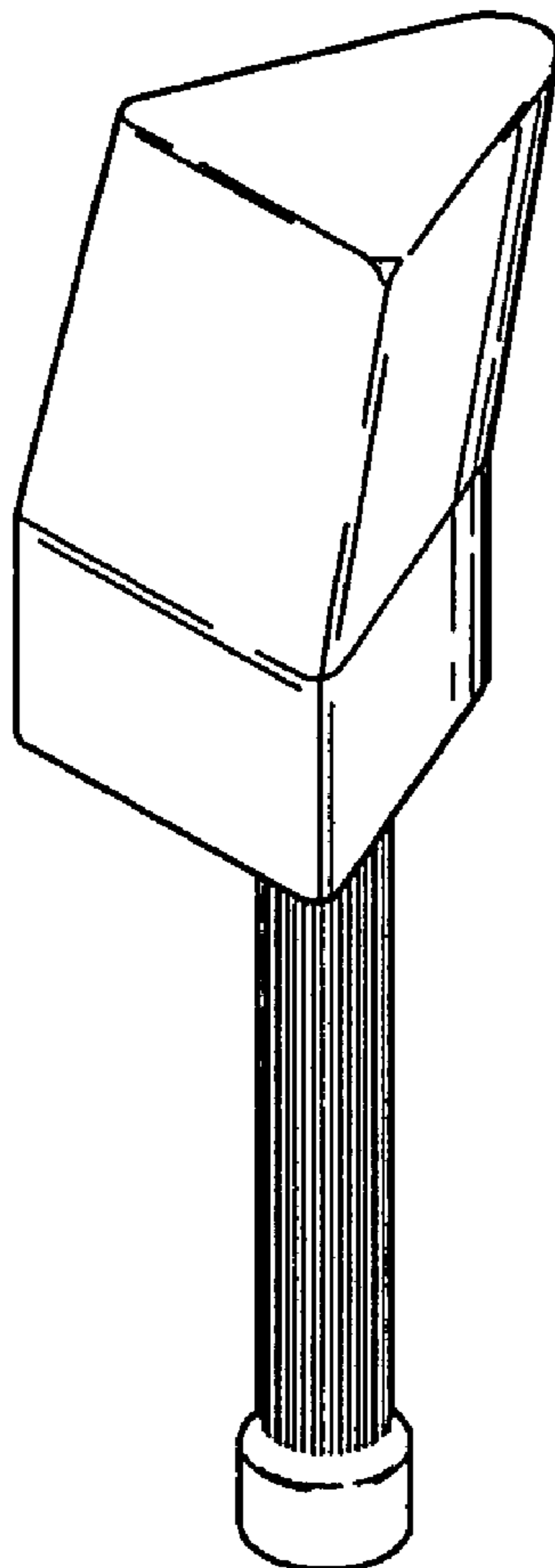
FIG. 6 is the top view thereof; and,

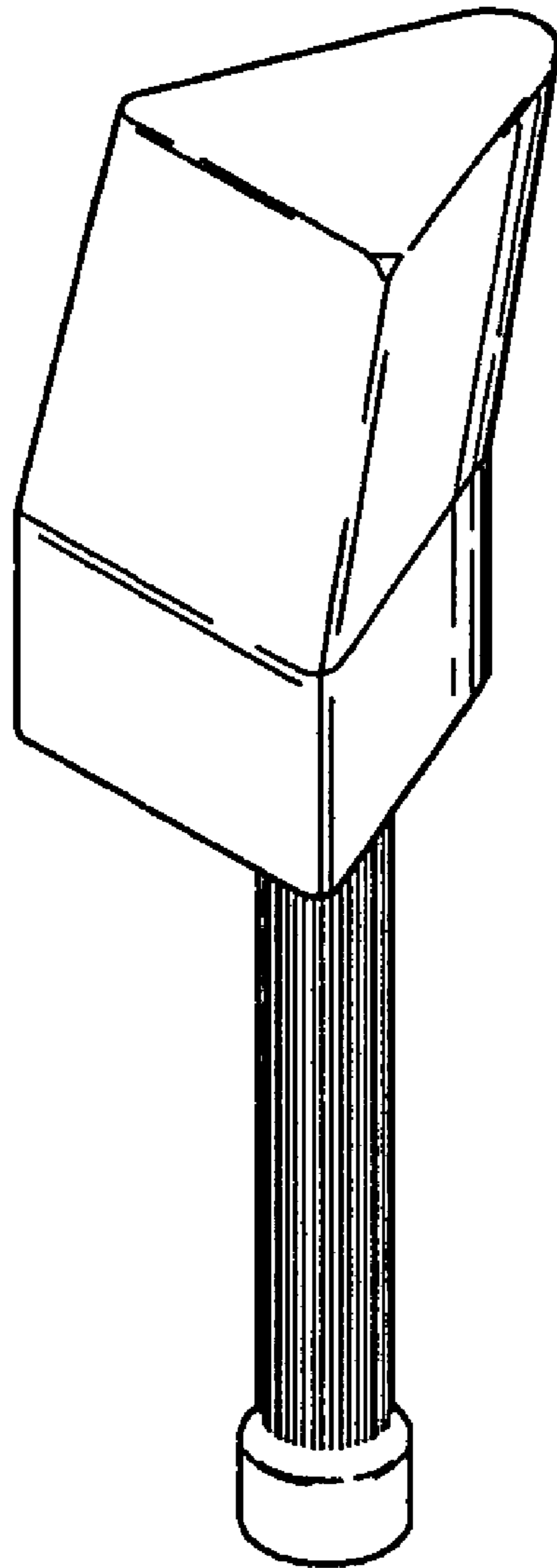
**U.S. PATENT DOCUMENTS**

FIG. 7 is the bottom view thereof.

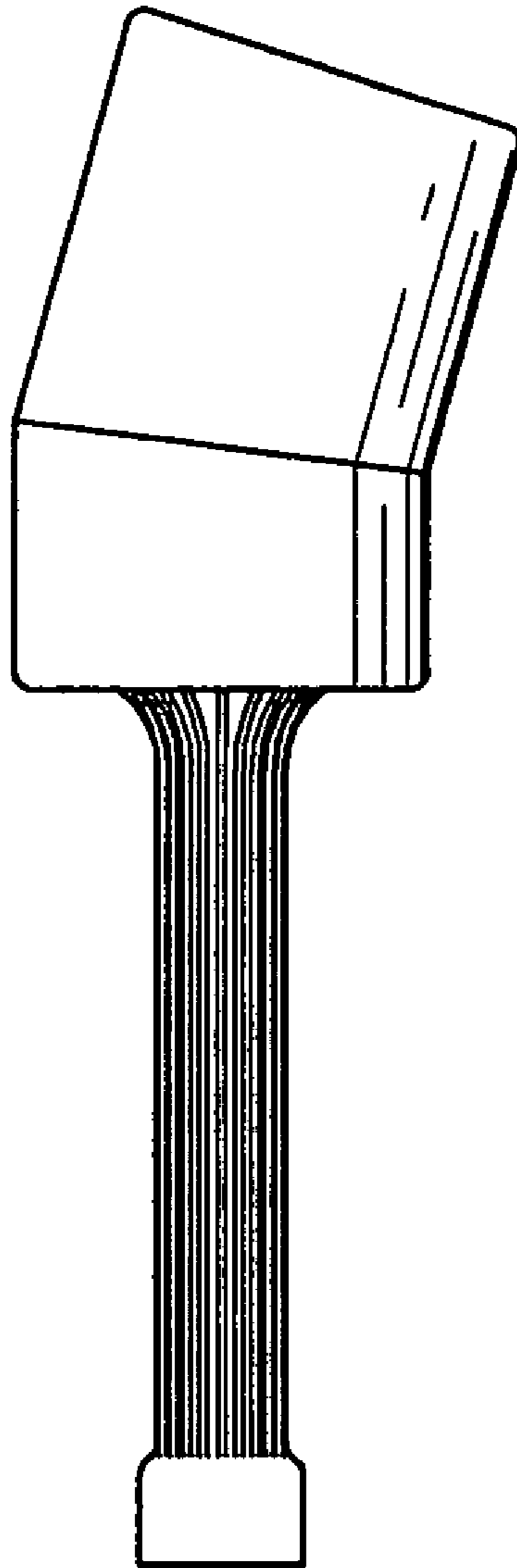
2,396,021 A \* 3/1946 Schloss ..... 150/160

**1 Claim, 6 Drawing Sheets**

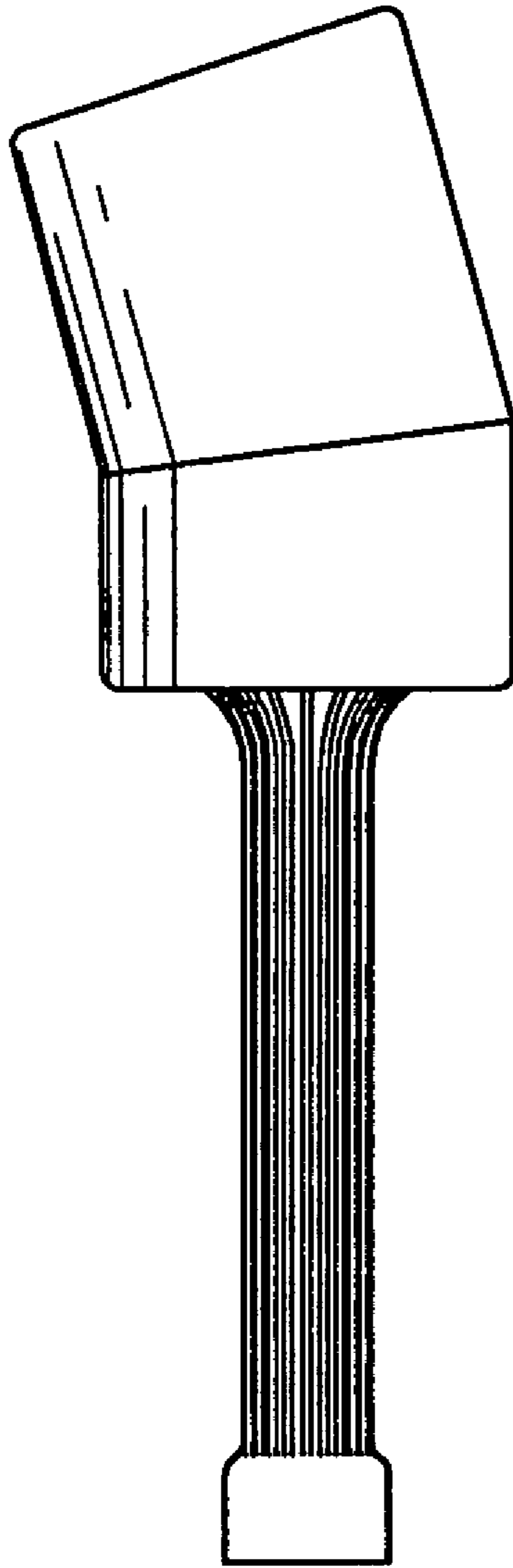




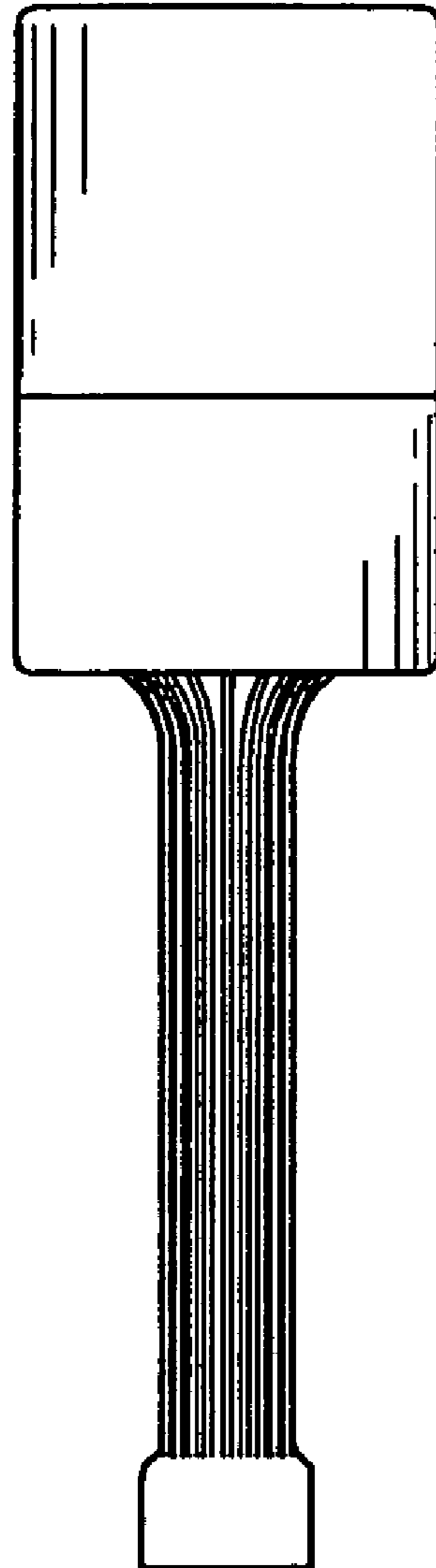
**FIG. 1**



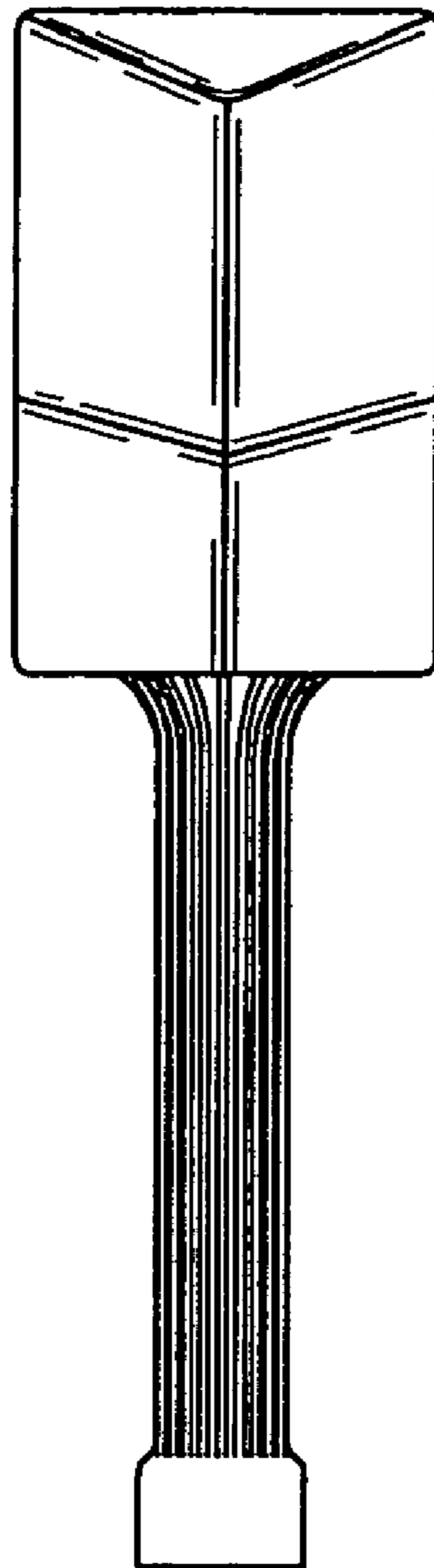
**FIG. 2**



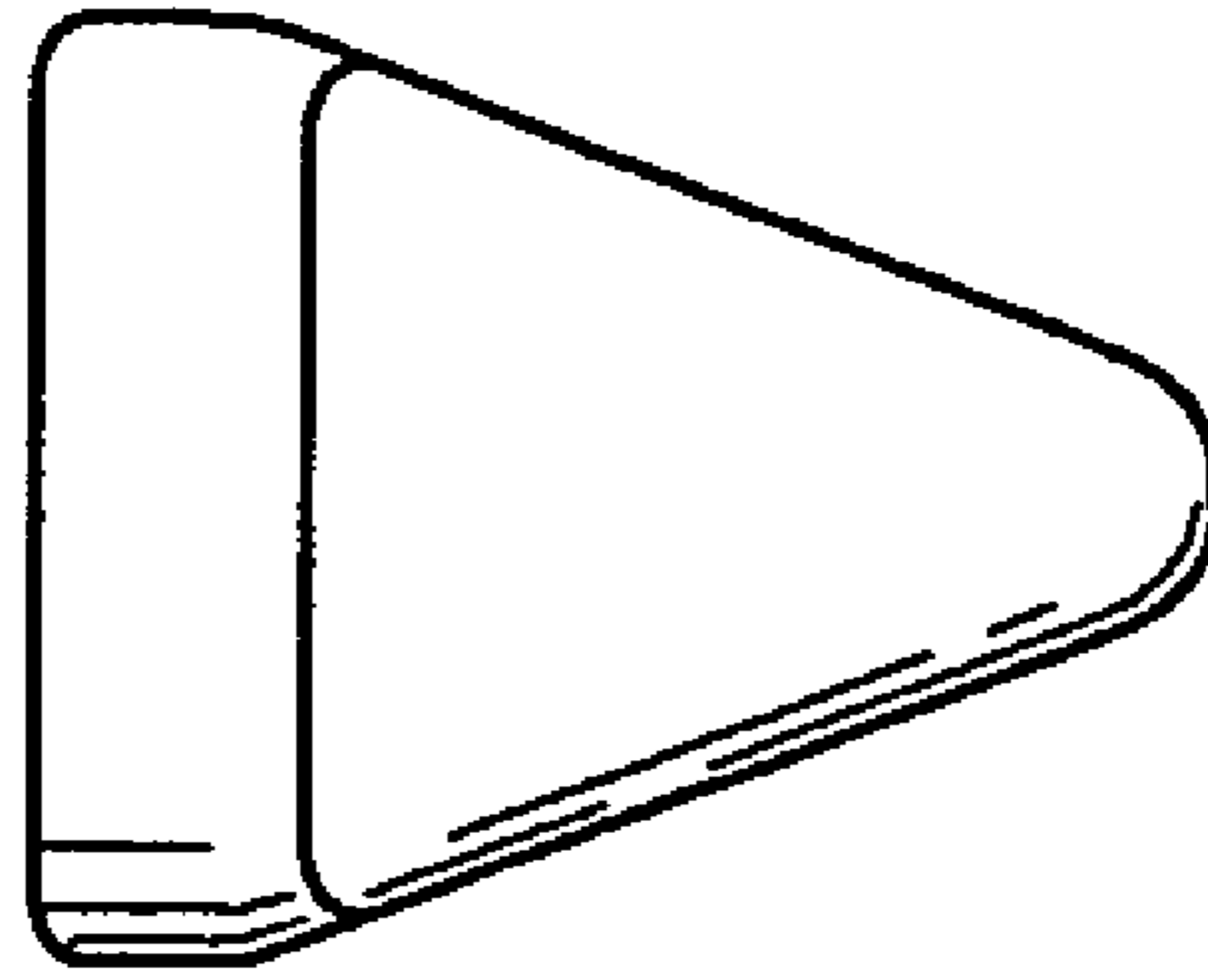
**FIG. 3**



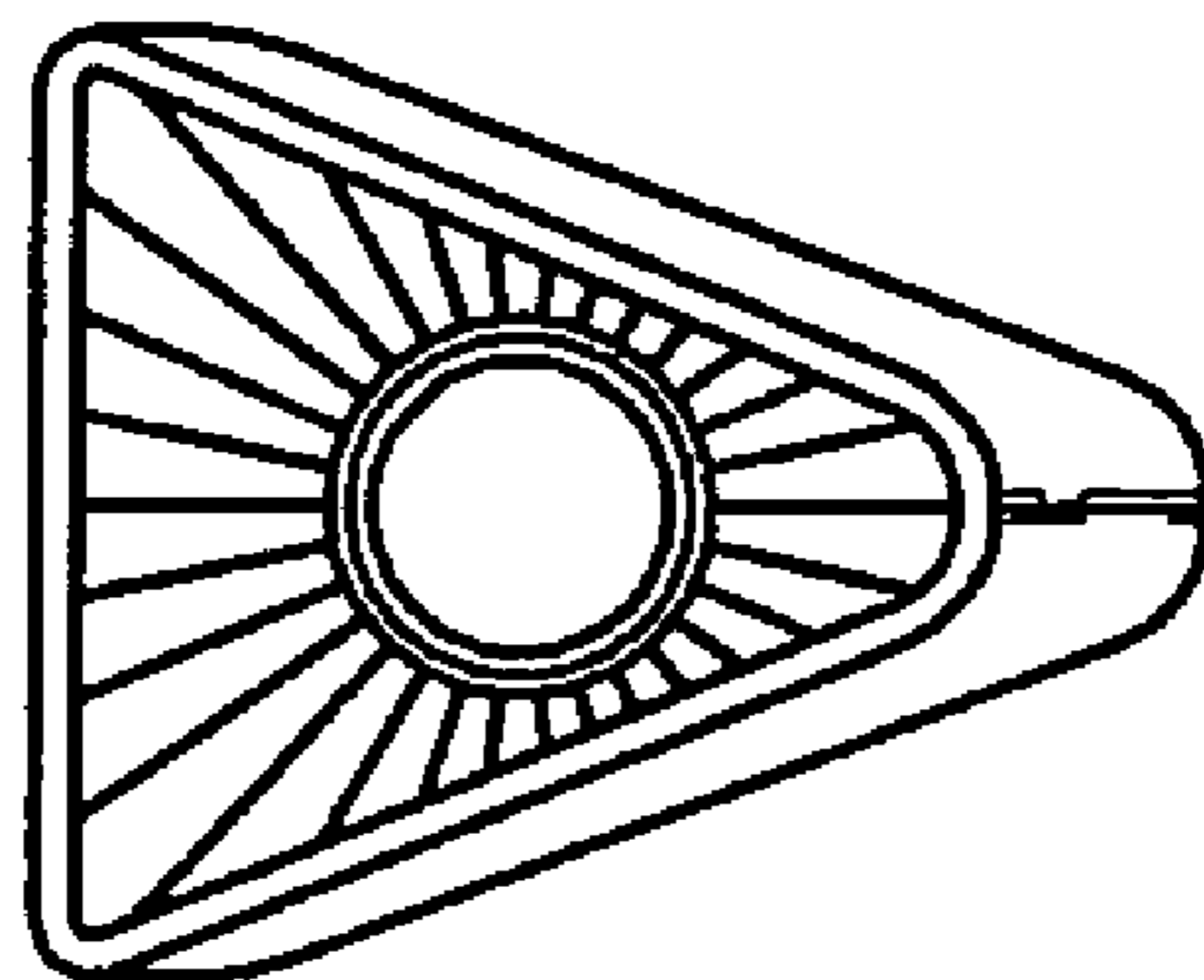
**FIG. 4**



**FIG. 5**



**FIG. 6**



**FIG. 7**