

US00D556842S

(12) **United States Design Patent** (10) **Patent No.:** **US D556,842 S**
Webber (45) **Date of Patent:** **** Dec. 4, 2007**

(54) **MOUNTING PLATE FOR EXERCISE MACHINE**

(76) Inventor: **Randall T. Webber**, 1265 Park Row, La Jolla, CA (US) 92037

(**) Term: **14 Years**

(21) Appl. No.: **29/248,570**

(22) Filed: **Aug. 22, 2006**

(51) **LOC (8) Cl.** **21-02**

(52) **U.S. Cl.** **D21/694**

(58) **Field of Classification Search** D21/662, D21/673, 674, 675, 676, 694; D12/114, D12/117; D8/349, 371, 354; 482/97, 98, 482/99, 100, 101, 102, 133, 137, 138
See application file for complete search history.

(56) **References Cited**

U.S. PATENT DOCUMENTS

D265,884	S	*	8/1982	Mabry	D8/354
4,784,384	A	*	11/1988	Deola	482/99
D330,238	S	*	10/1992	Desiderio	D21/675
D442,539	S	*	5/2001	Nickel	D12/223
D478,847	S	*	8/2003	Ratto	D12/114
6,689,023	B2	*	2/2004	Baumler	482/100
D518,121	S	*	3/2006	Panatta	D21/676
D528,951	S	*	9/2006	Oben	D12/180
2003/0027696	A1	*	2/2003	Baumler et al.	482/99
2004/0192519	A1	*	9/2004	Slawinski	482/99
2006/0247101	A1	*	11/2006	Hall	482/27

OTHER PUBLICATIONS

Parabody Multi-Function Gym, Parabody Brochure, 2001.

Life Fitness Cable Motion Gym System, Life Fitness Brochure, 2004.

V1 Exercise Machine, Hoist Fitness Brochure, 2004.

Inspire M1 Gym, Inspire Fitness Brochure, Nov. 2005.

* cited by examiner

Primary Examiner—Philip S. Hyder

(74) *Attorney, Agent, or Firm*—Katherine Proctor; Procopio, Cory, Hargreaves & Savitch LLP

(57) **CLAIM**

The ornamental design for a mounting plate for an exercise machine, as shown and described.

DESCRIPTION

FIG. 1 is a front perspective view of a mounting plate for an exercise machine, showing my new design, the associated exercise machine structure being shown in broken line;

FIG. 2 is an expanded perspective view thereof;

FIG. 3 is a front elevation view thereof, the rear view being a mirror image thereof;

FIG. 4 is a top plan view thereof;

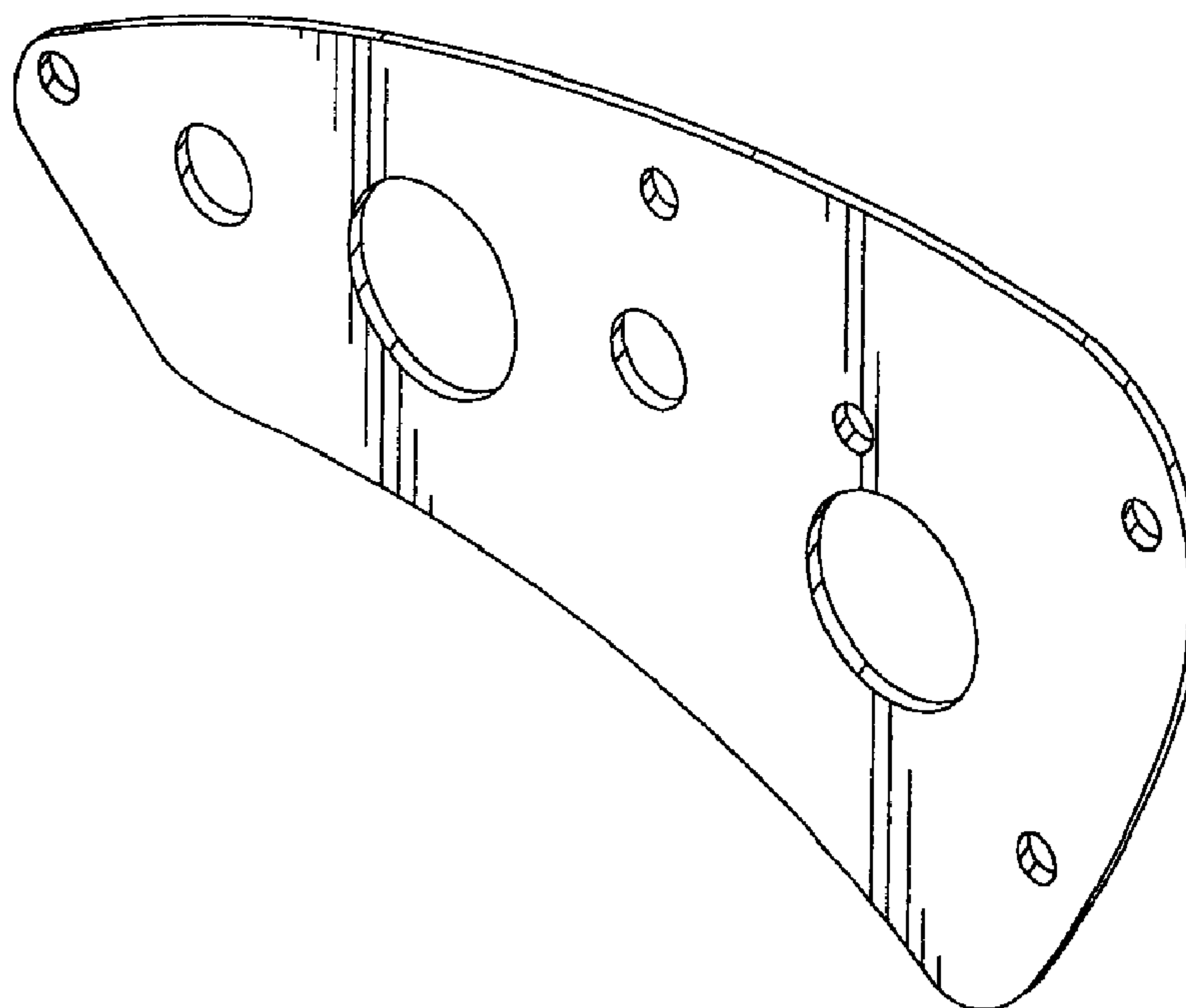
FIG. 5 is a bottom plan view thereof;

FIG. 6 is a left side elevation view thereof; and,

FIG. 7 is a right side elevation view thereof.

The broken lines are shown for illustrative purposes only and form no part of the claimed design.

1 Claim, 2 Drawing Sheets



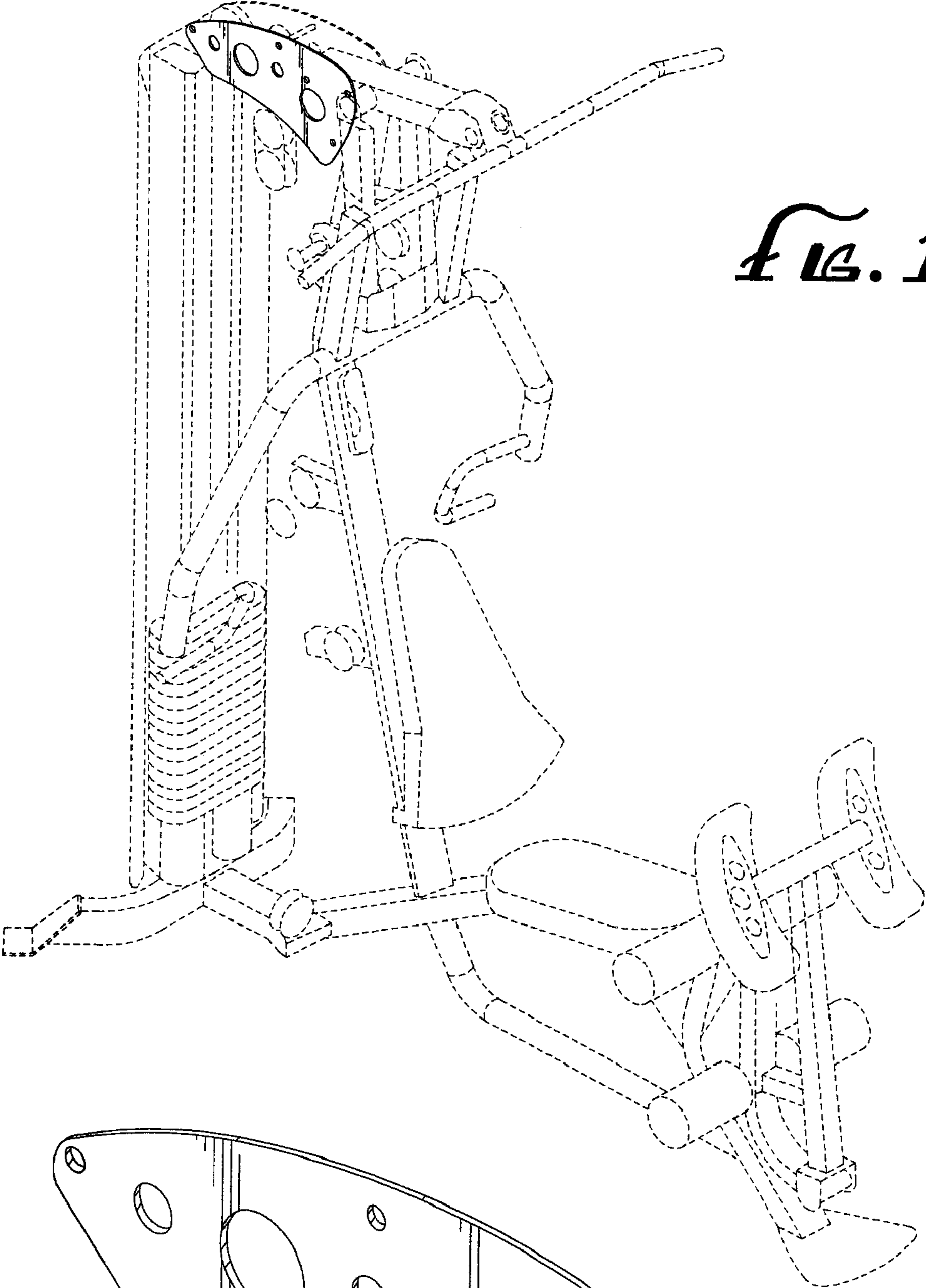


Fig. 1

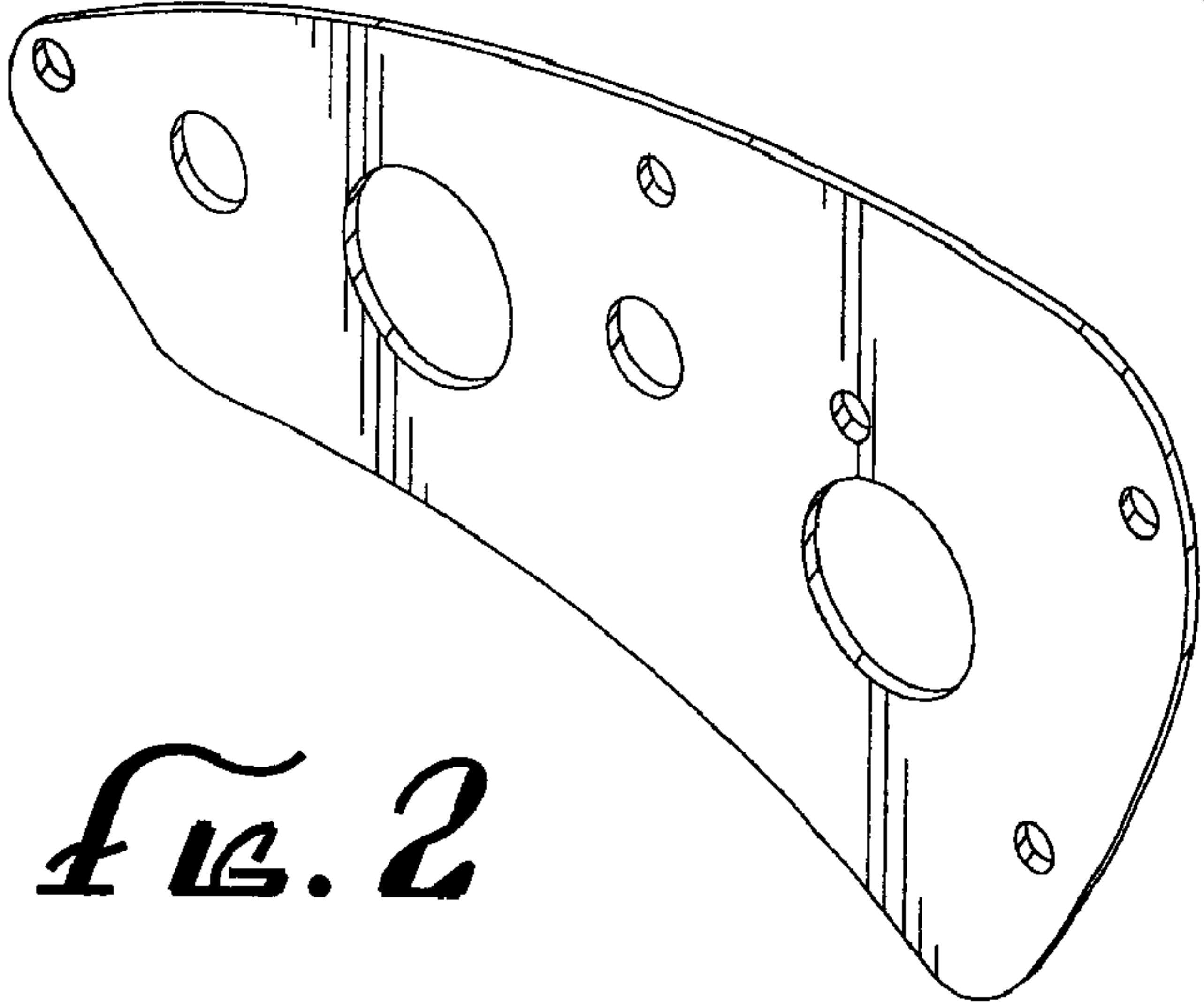


Fig. 2

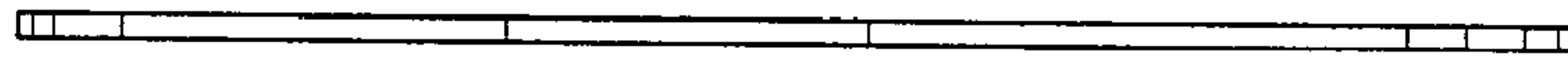


FIG. 4

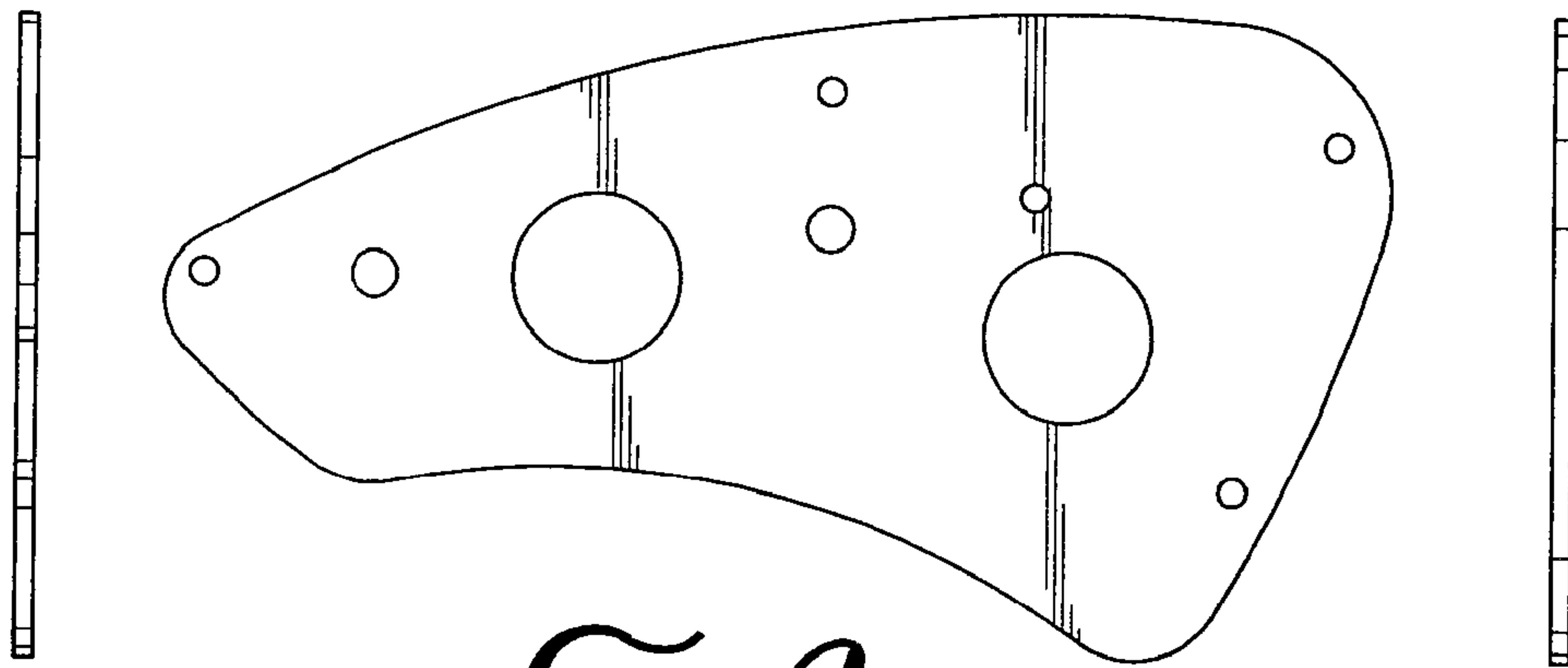


FIG. 6

FIG. 3

FIG. 7

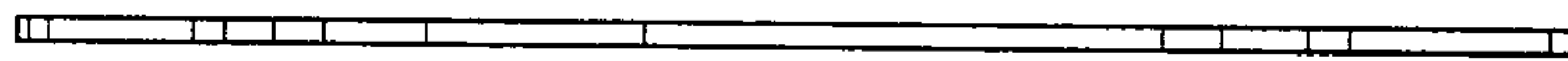


FIG. 5