



US00D556838S

(12) **United States Design Patent**
Ming

(10) **Patent No.:** **US D556,838 S**

(45) **Date of Patent:** **** Dec. 4, 2007**

(54) **SCOOTER FOOT BOARD**

(76) Inventor: **James Wong Ka Ming**, Flat G, 7F,
Block A, Marvel Bldg., 25-31 Kwai
Fung Crescent, Kwai Chung (HK)

(**) Term: **14 Years**

(21) Appl. No.: **29/240,492**

(22) Filed: **Oct. 13, 2005**

(51) **LOC (8) Cl.** **21-01**

(52) **U.S. Cl.** **D21/423**

(58) **Field of Classification Search** D21/421-424,
D21/111, 435, 533, 760, 765, 771, 779, 763,
D21/419; D12/110-112, 115, 117, 107; 280/281.1,
280/282, 283, 287, 288, 288.1, 288.3, 280.1;
180/180, 181

See application file for complete search history.

(56) **References Cited**

U.S. PATENT DOCUMENTS

- 1,274,889 A * 8/1918 Johnson 280/87.042
- D438,912 S * 3/2001 Barrera D21/423
- D441,035 S * 4/2001 Yam D21/423
- D444,511 S * 7/2001 Shih D21/423
- D444,824 S * 7/2001 Udwin et al. D21/423

- D446,259 S * 8/2001 Udwin et al. D21/423
- 6,276,701 B1 8/2001 Chen
- D463,508 S * 9/2002 Stroppiana D21/423
- D486,532 S * 2/2004 Christianson D21/423
- 7,156,405 B1 * 1/2007 Ming 280/87.05

* cited by examiner

Primary Examiner—Raphael Barkai

Assistant Examiner—Randall H Gholson

(57) **CLAIM**

The ornamental design for a scooter foot board, as shown and described.

DESCRIPTION

FIG. 1 is a top perspective view of a scooter foot board of my design.

FIG. 2 is a side view of a scooter foot board of my design.

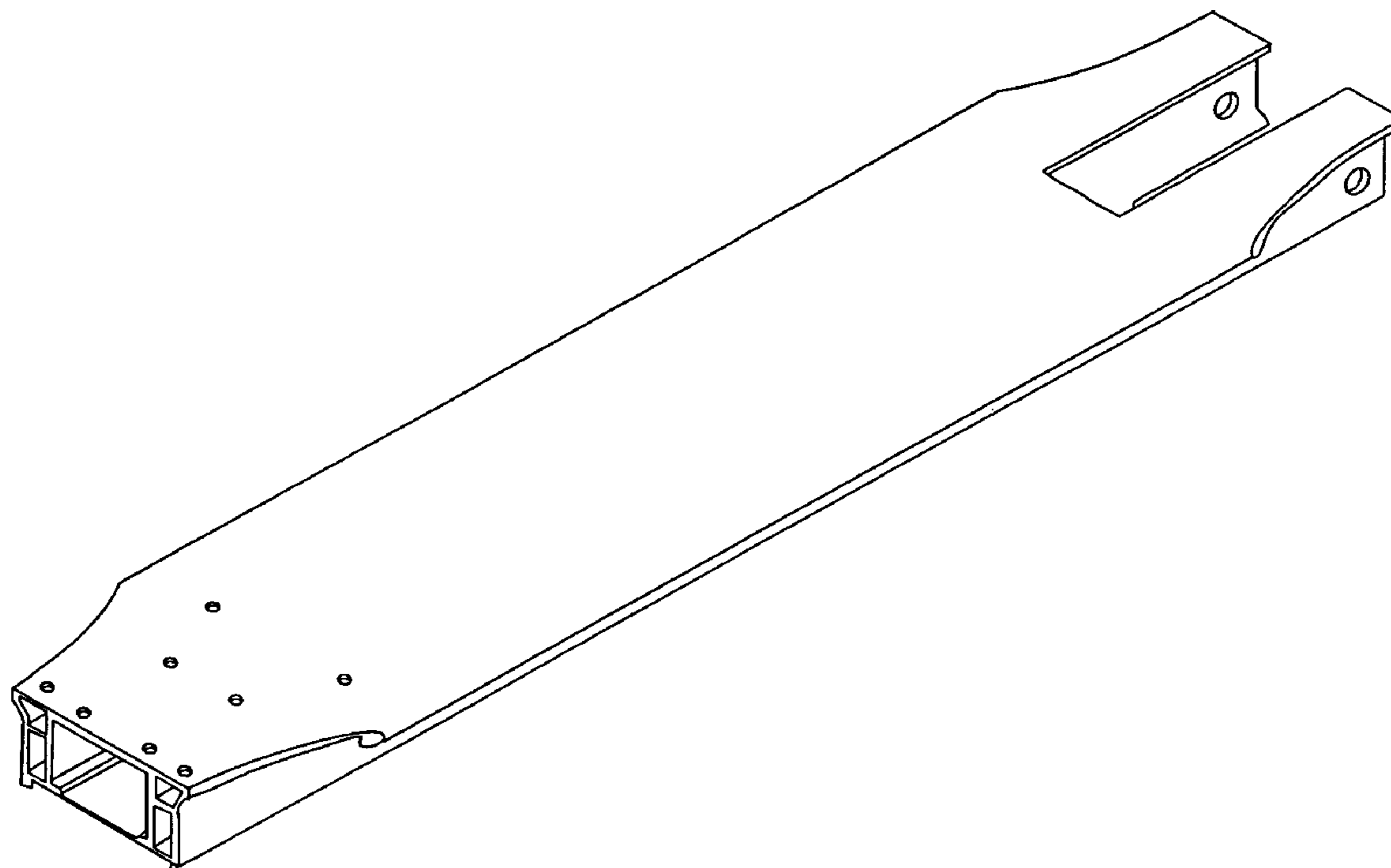
FIG. 3 is a top view of a scooter foot board of my design.

FIG. 4 is a bottom view of a scooter foot board of my design.

FIG. 5 is a front end view of a scooter foot board of my design; and,

FIG. 6 is a rear end view of a scooter foot board of my design.

1 Claim, 2 Drawing Sheets



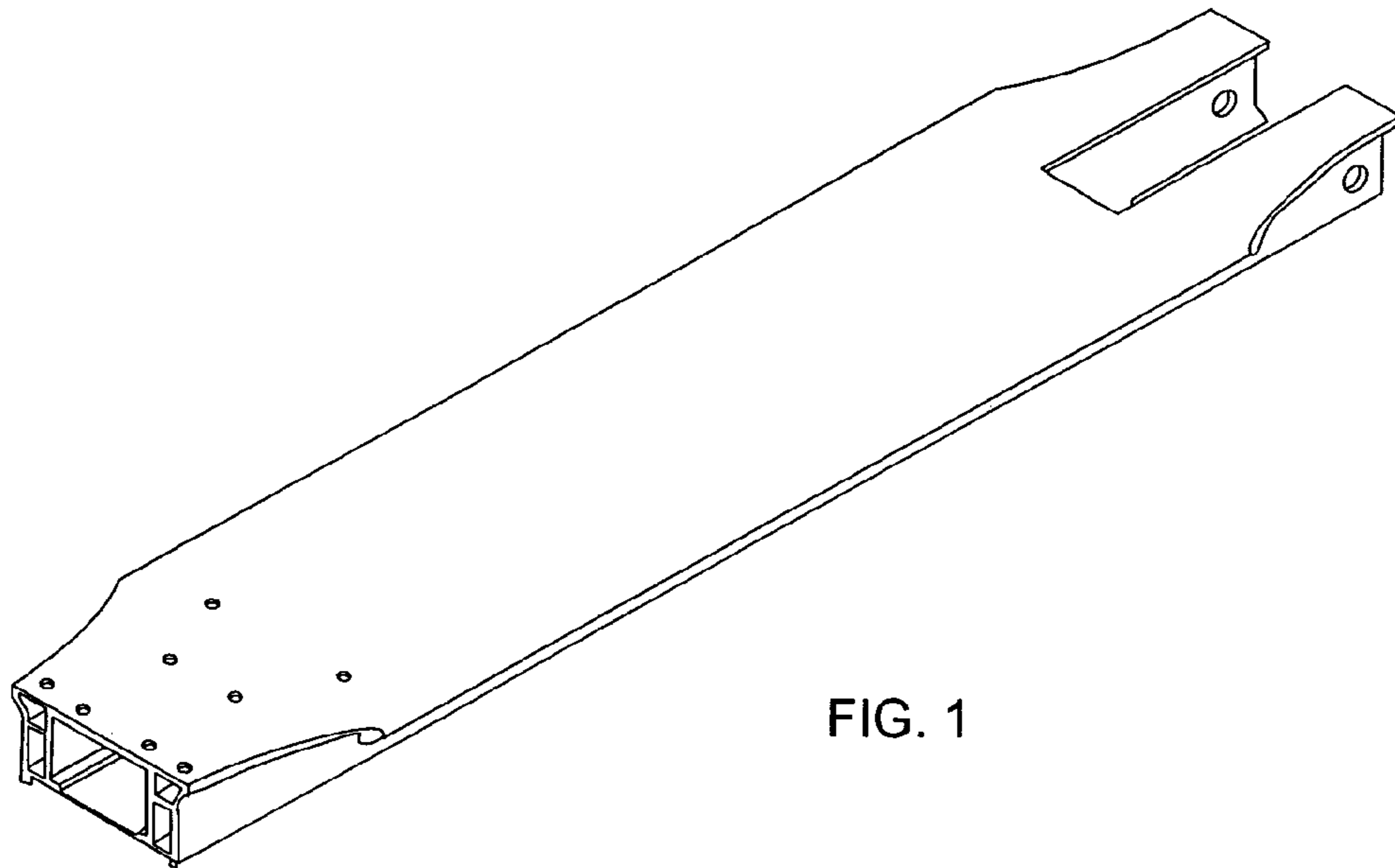


FIG. 1

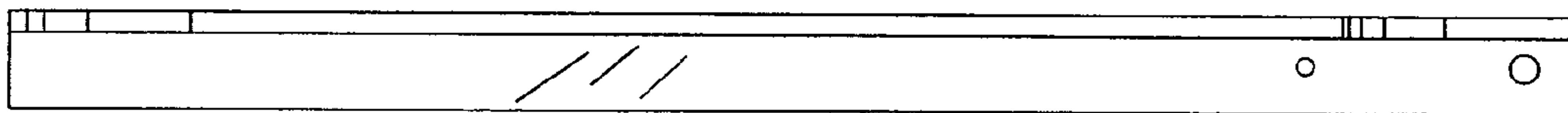


FIG. 2

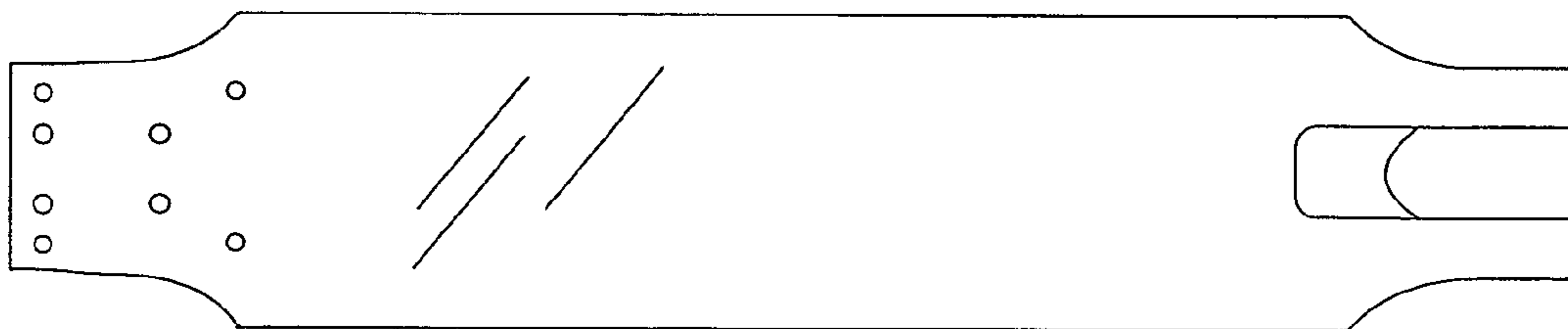


FIG. 3



FIG. 5

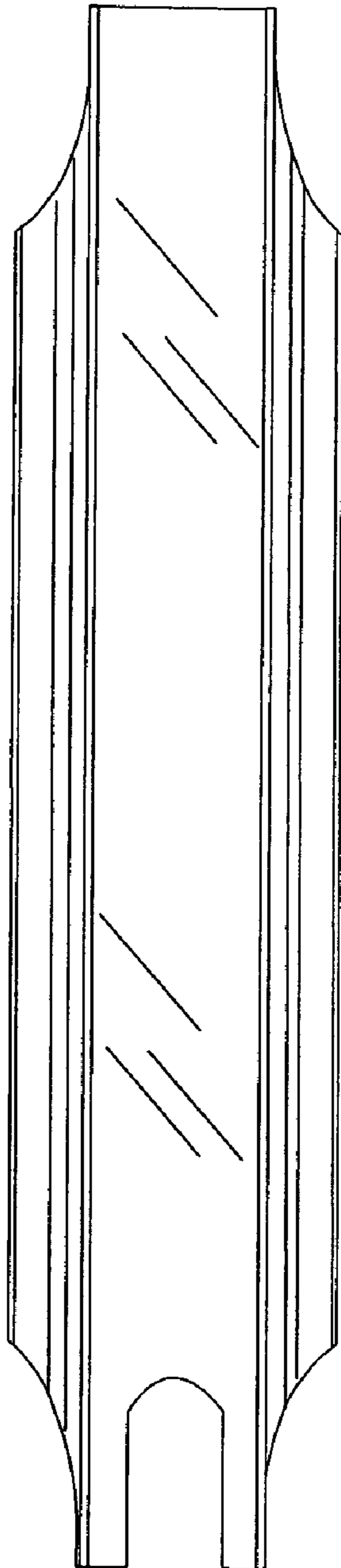


FIG. 4



FIG. 6