



US00D556836S

(12) **United States Design Patent** (10) **Patent No.:** **US D556,836 S**
Ashida et al. (45) **Date of Patent:** **** Dec. 4, 2007**

- (54) **ELECTRONIC GAME MACHINE SUPPORTED ON A BASE STAND**
- (75) Inventors: **Kenichiro Ashida**, Kyoto (JP); **Masato Ibuki**, Kyoto (JP); **Shinji Yamamoto**, Kyoto (JP); **Hirokazu Matsui**, Kyoto (JP); **Akiko Suga**, Kyoto (JP)
- (73) Assignee: **Nintendo Co., Ltd.**, Kyoto (JP)
- (**) Term: **14 Years**
- (21) Appl. No.: **29/271,595**
- (22) Filed: **Jan. 23, 2007**

D419,200 S	1/2000	Ashida	
D433,381 S *	11/2000	Talesfore	D13/123
D460,787 S *	7/2002	Nishikawa	D21/329
6,540,611 B1 *	4/2003	Nagata	463/31
6,565,444 B2 *	5/2003	Nagata et al.	463/46
6,743,104 B1 *	6/2004	Ota et al.	463/44
D495,336 S *	8/2004	Andre et al.	D14/434
6,821,204 B2 *	11/2004	Aonuma et al.	463/32
6,955,606 B2 *	10/2005	Taho et al.	463/43
7,090,582 B2 *	8/2006	Danieli et al.	463/35
D531,228 S *	10/2006	Ashida et al.	D21/332
7,155,604 B2 *	12/2006	Kawai	713/2
D543,246 S *	5/2007	Ashida et al.	D21/333

Related U.S. Application Data

- (62) Division of application No. 29/242,325, filed on Nov. 9, 2005.

Foreign Application Priority Data

May 11, 2005	(JP)	2005-13455
May 11, 2005	(JP)	2005-13456
May 11, 2005	(JP)	2005-13469

- (51) **LOC (8) Cl.** **21-01**
- (52) **U.S. Cl.** **D21/332; D21/324**
- (58) **Field of Classification Search** D21/332, D21/333, 324; 273/148 B, 148 R; 463/43-47, 463/29-35, 1; D14/496, 483, 475, 477; 345/156-169
See application file for complete search history.

References Cited

U.S. PATENT DOCUMENTS

D379,832 S	6/1997	Ashida	
D407,761 S	4/1999	Barr	
D412,940 S *	8/1999	Kato et al.	D21/324
D419,199 S	1/2000	Cordell et al.	

* cited by examiner

Primary Examiner—Prabhakar Deshmukh
(74) *Attorney, Agent, or Firm*—Nixon & Vanderhye, PC

(57) **CLAIM**

The ornamental design for an electronic game machine supported on a base stand, as shown and described.

DESCRIPTION

FIG. 1 is a front, top and left perspective view of an electronic game machine supported on a base stand showing our new design;

FIG. 2 is a rear, bottom and right perspective view thereof;

FIG. 3 is a front view thereof;

FIG. 4 is a rear view thereof;

FIG. 5 is a left side view thereof;

FIG. 6 is a right side view thereof;

FIG. 7 is a top plan view thereof; and,

FIG. 8 is a bottom plan view thereof.

1 Claim, 5 Drawing Sheets

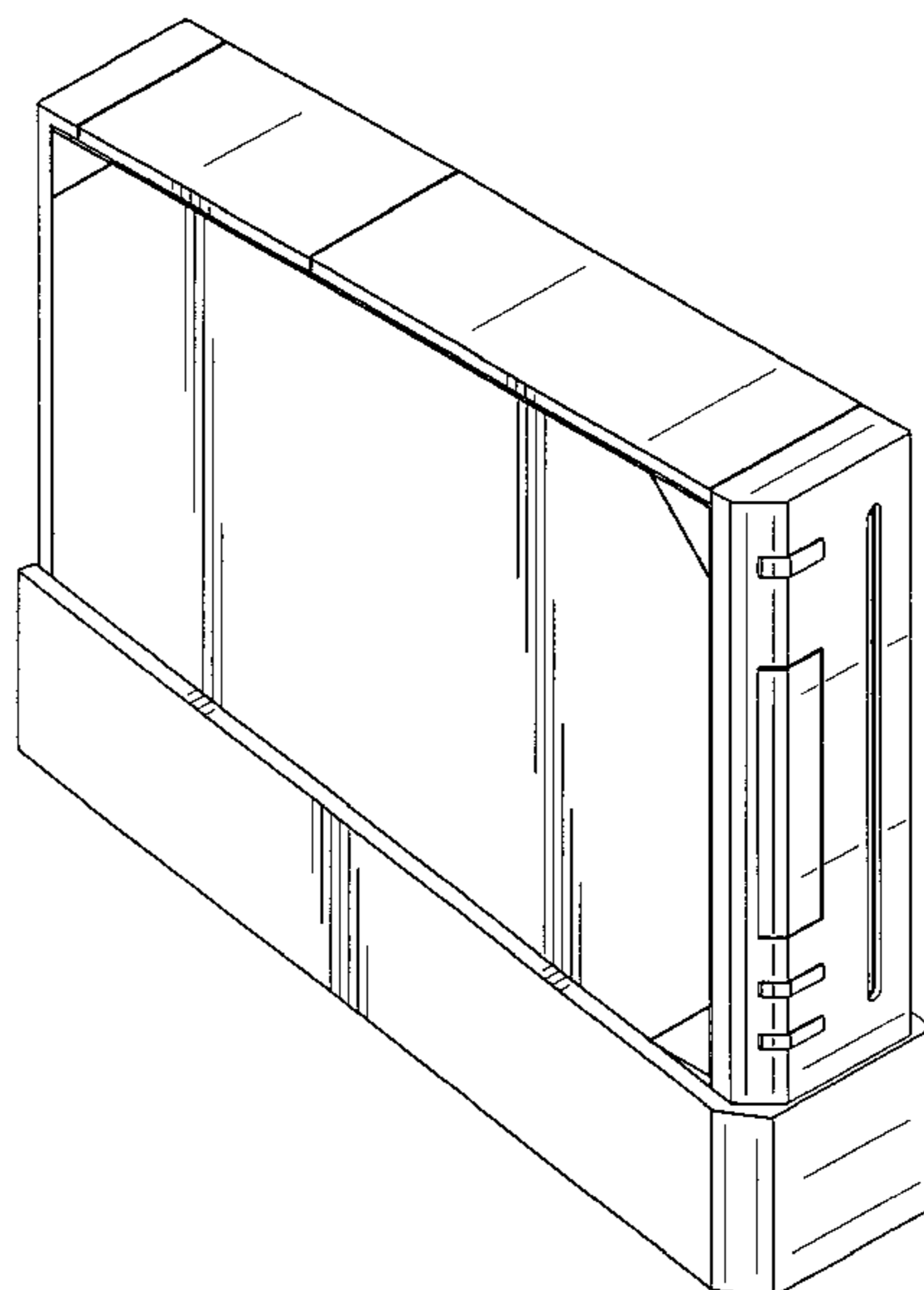


FIG. 1

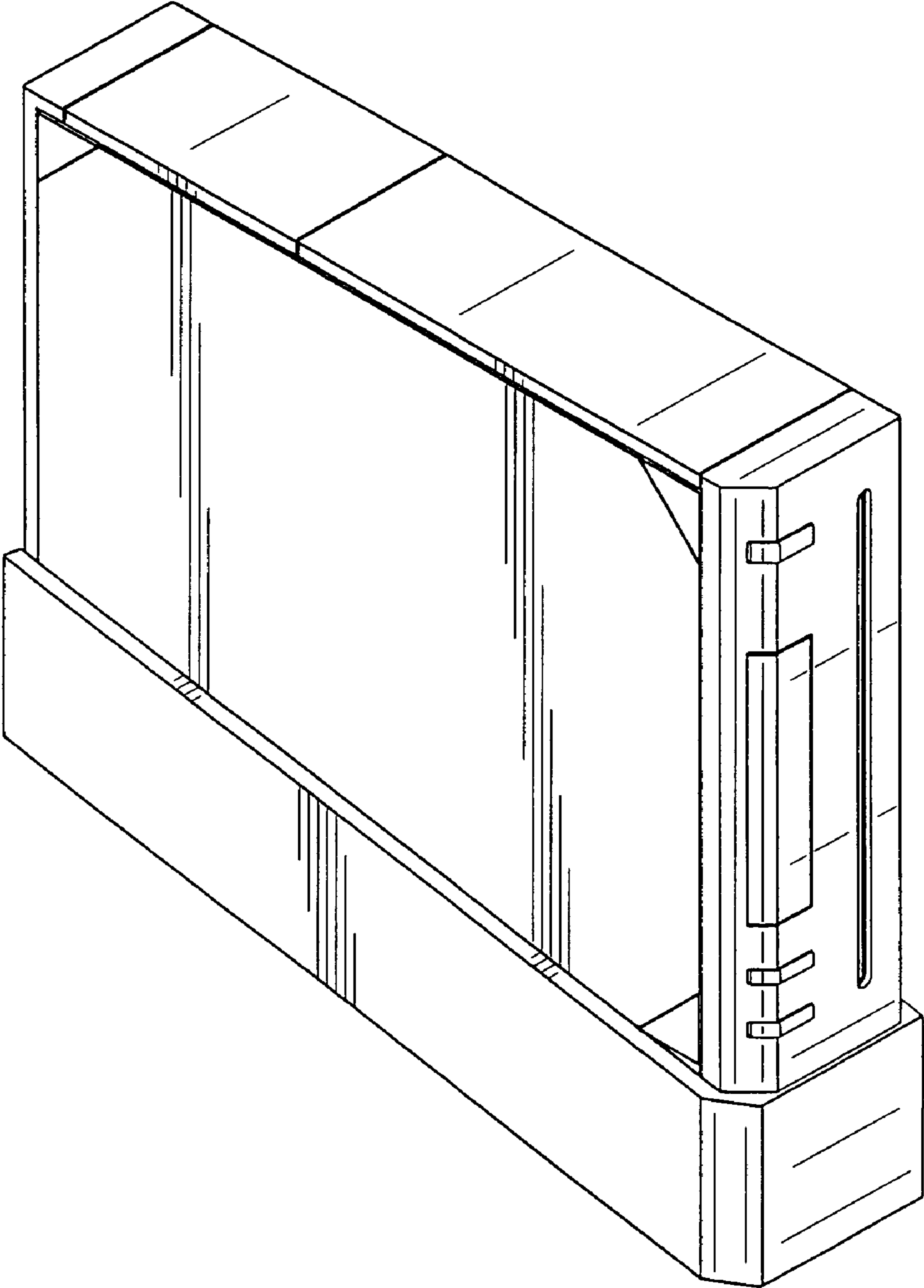


FIG.2

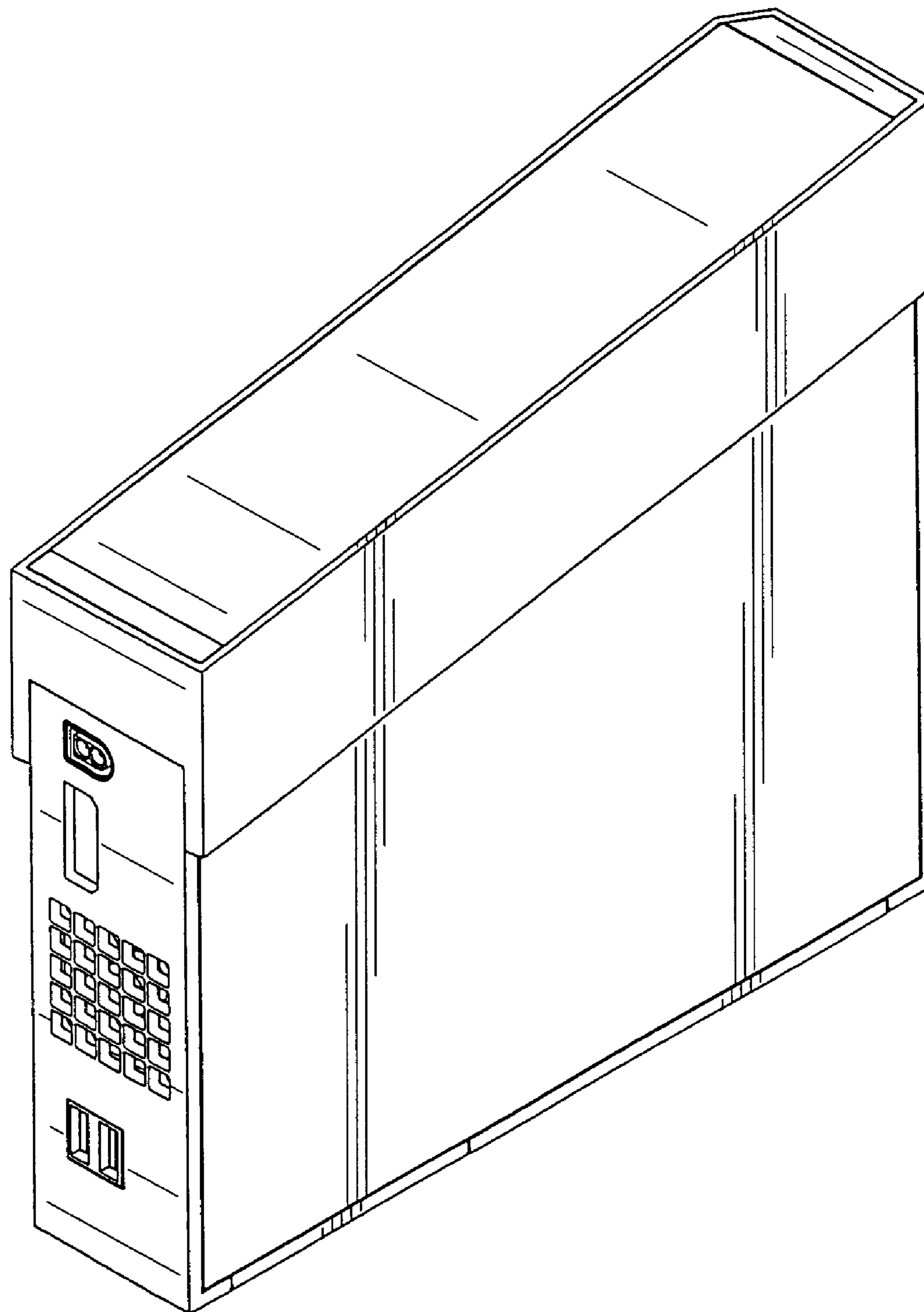


FIG. 3

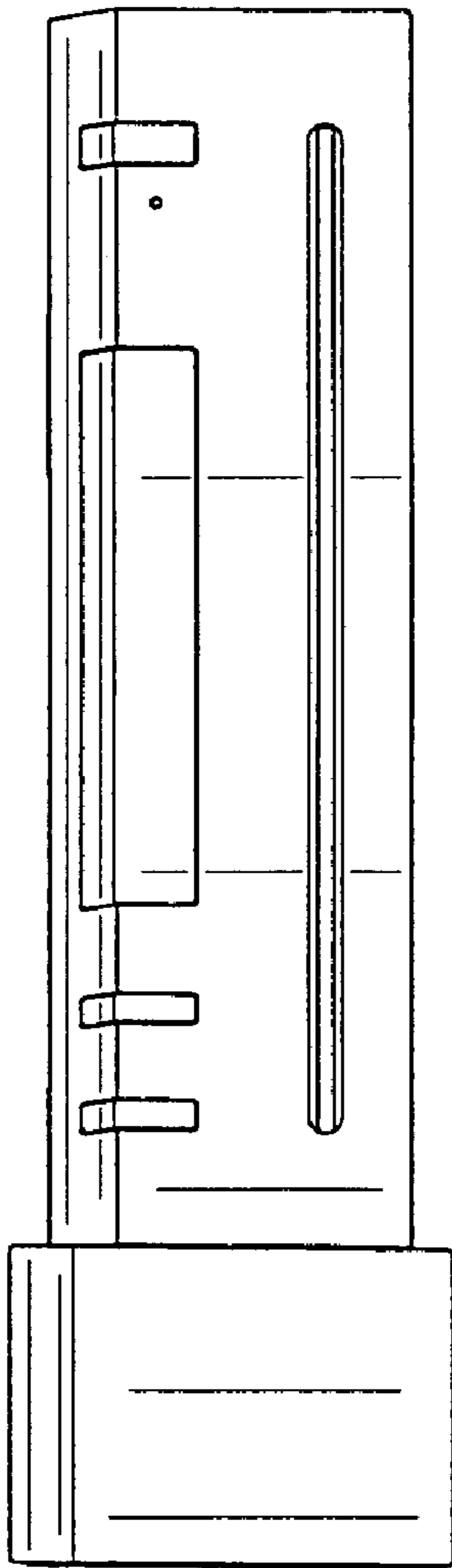


FIG. 4

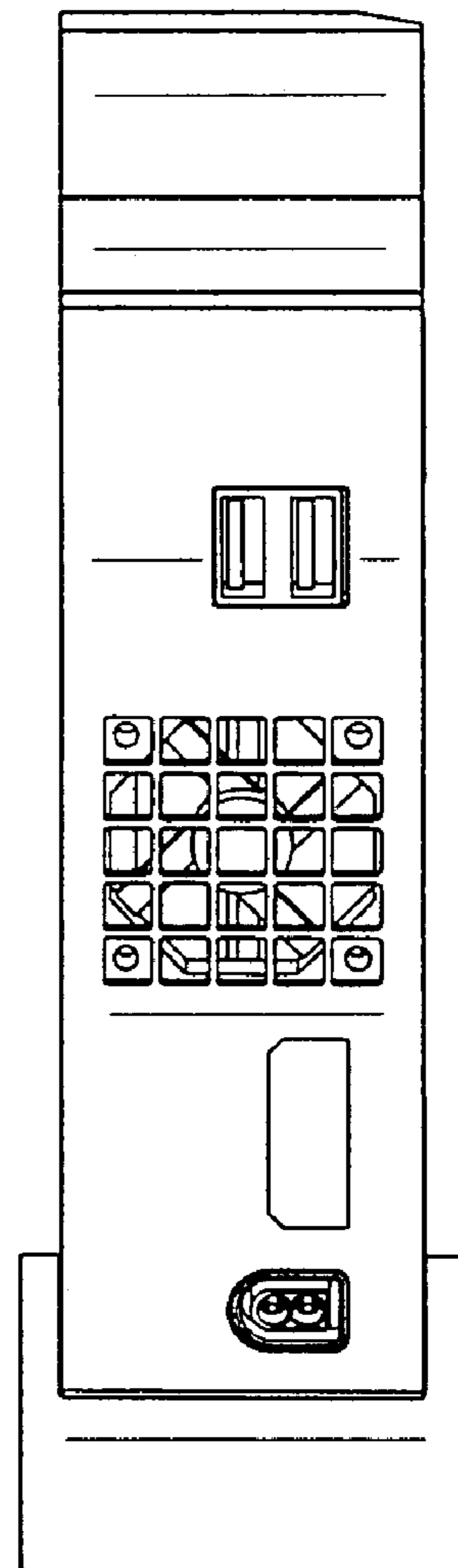


FIG. 5

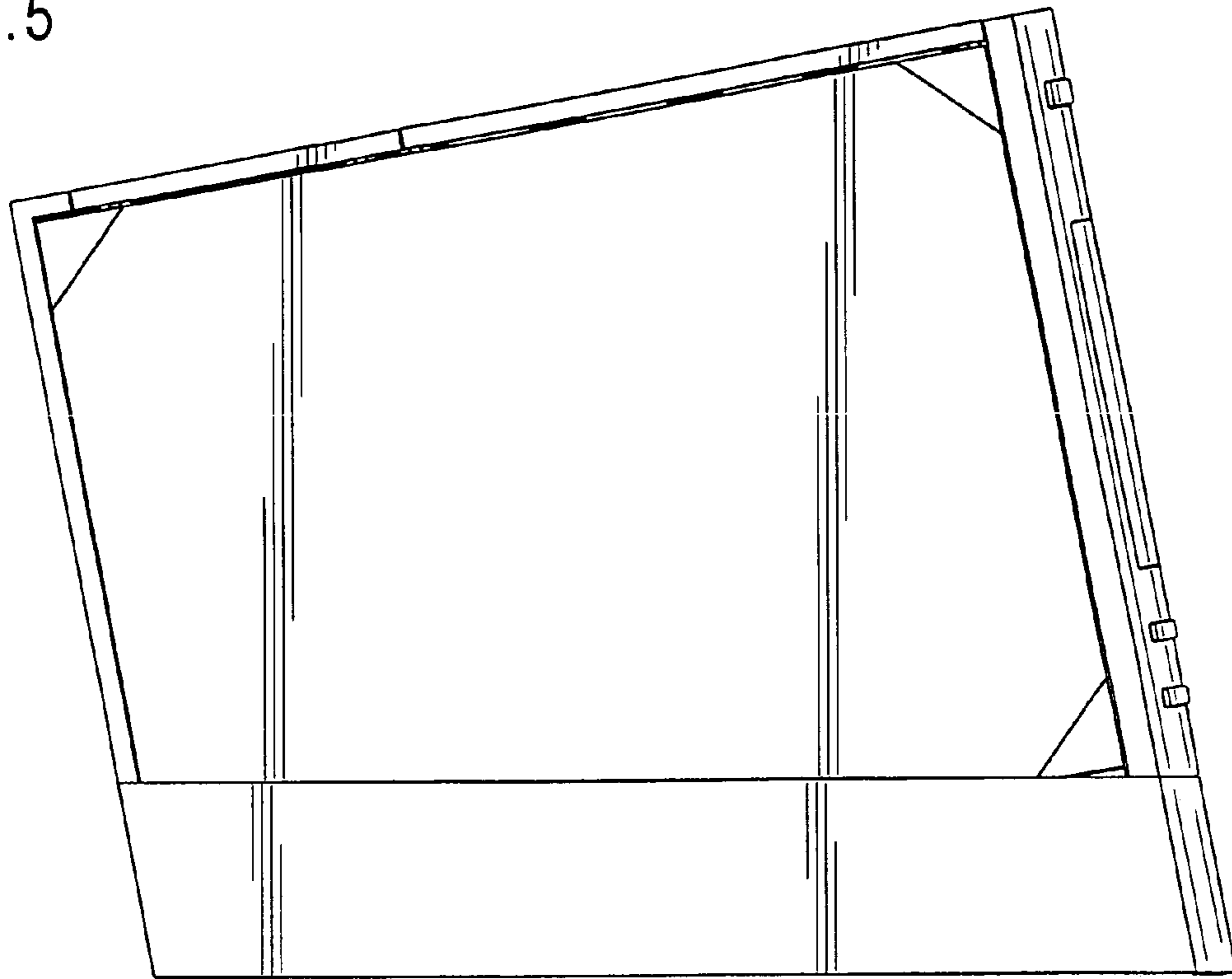


FIG. 6

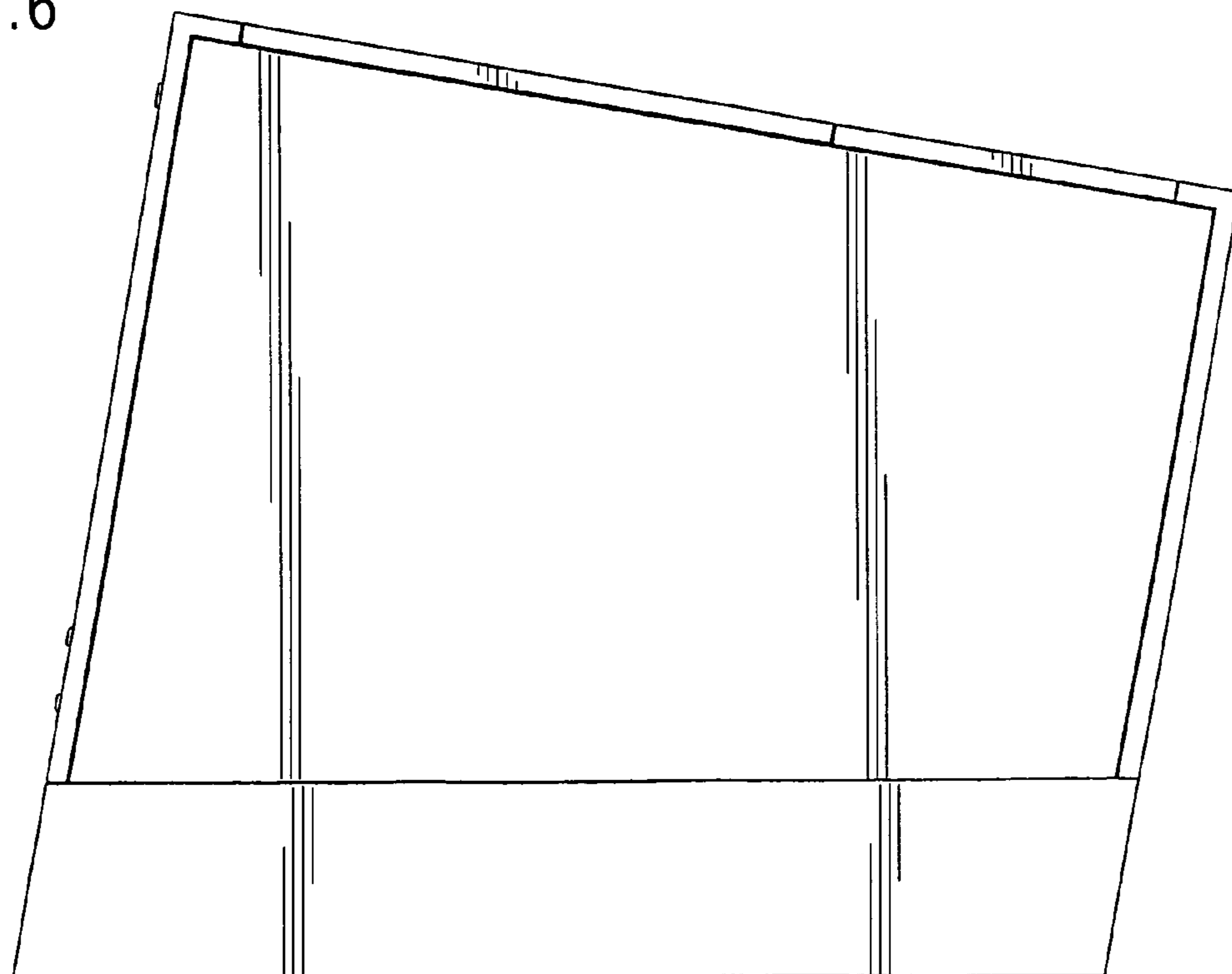


FIG.7

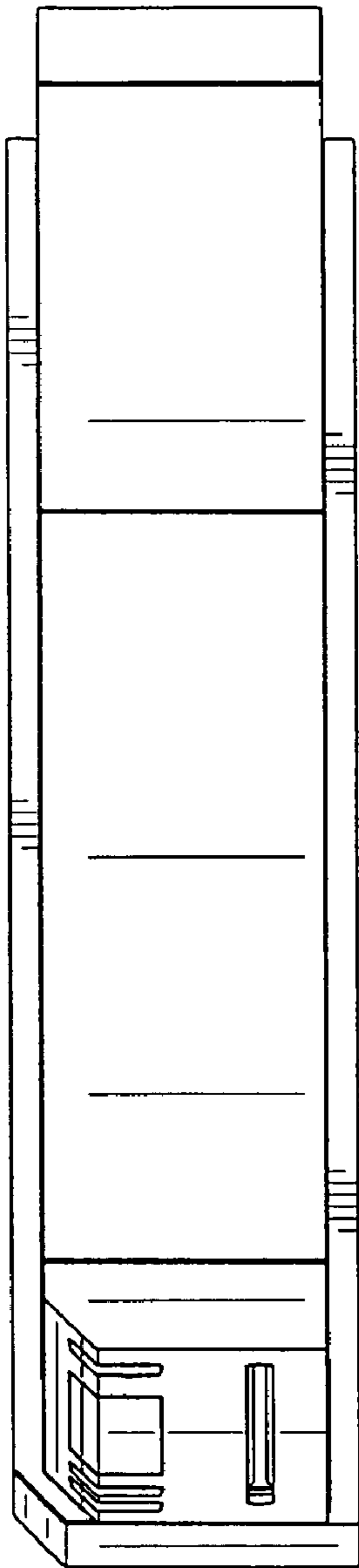


FIG.8

