



US00D556831S

(12) **United States Design Patent** (10) **Patent No.:** **US D556,831 S**  
**Cooper, Jr. et al.** (45) **Date of Patent:** **\*\* Dec. 4, 2007**

(54) **CONTAINER**

(75) Inventors: **Gary W. Cooper, Jr.**, Arlington, TX (US); **Benjamin T. Nicholson**, Arlington, TX (US); **Patrick H. Sullins**, Arlington, TX (US); **Brett A. Sutton**, Arlington, TX (US)

(73) Assignee: **Inovar Packaging Group, LLC**, Arlington, TX (US)

(\*\*) Term: **14 Years**

(21) Appl. No.: **29/260,142**

(22) Filed: **May 19, 2006**

(51) **LOC (8) Cl.** ..... **19-02**

(52) **U.S. Cl.** ..... **D19/89; D3/294**

(58) **Field of Classification Search** ..... D3/200-201, D3/272-273, 298, 302, 901, 905; D6/432-433, D6/441, 443, 518, 520; D7/609; D19/67, D19/69, 89; 206/391, 409; 221/13, 34, 221/45, 70, 73, 92, 100, 185; 242/588.3

See application file for complete search history.

(56) **References Cited**

**U.S. PATENT DOCUMENTS**

D56,581 S *	11/1920	Bliss et al.	.....	D19/89
D73,400 S *	9/1927	Eberhart	.....	D3/272
D73,616 S *	10/1927	McKeon	.....	D27/188
D75,360 S *	5/1928	Eberhart	.....	D3/272
D84,954 S *	8/1931	Purchas	.....	D3/271.1
D104,944 S *	6/1937	Lathrop	.....	D21/392
D118,936 S *	2/1940	Guild	.....	D19/89
2,223,225 A *	11/1940	Radzyner	.....	281/11
D133,503 S *	8/1942	Stene	.....	D3/263
D138,852 S *	9/1944	King	.....	D19/89
2,450,496 A *	10/1948	Whiteley	.....	83/614
D230,377 S *	2/1974	Netka	.....	D19/89
3,948,455 A	4/1976	Schwartz		

D277,812 S *	3/1985	Thompson	.....	D3/302
D287,374 S *	12/1986	Macowski	.....	D19/89
D293,451 S *	12/1987	Snell et al.	.....	D3/266
D334,135 S	3/1993	Fraker et al.		
D334,664 S	4/1993	Fraker et al.		
D334,883 S	4/1993	Fraker et al.		
D335,441 S	5/1993	Fraker et al.		

(Continued)

**OTHER PUBLICATIONS**

Daydots Food Safety Solutions; Summer 2003; pp. 1, 2, 26, 32, 33, 64.

Dot-It Food Rotation & Custom Labels; May 15, 2005; pp. 2, 4-7, 12-16, 18, 19.

*Primary Examiner*—Gary D. Watson  
*Assistant Examiner*—R. L. (Ulm) Cody

(74) *Attorney, Agent, or Firm*—Haynes and Boone, LLP

(57) **CLAIM**

The ornamental design for a container, as shown and described.

**DESCRIPTION**

FIG. 1 is a top, front perspective view of a container showing our new design;

FIG. 2 is a front view of the container;

FIG. 3 is a back view of the container;

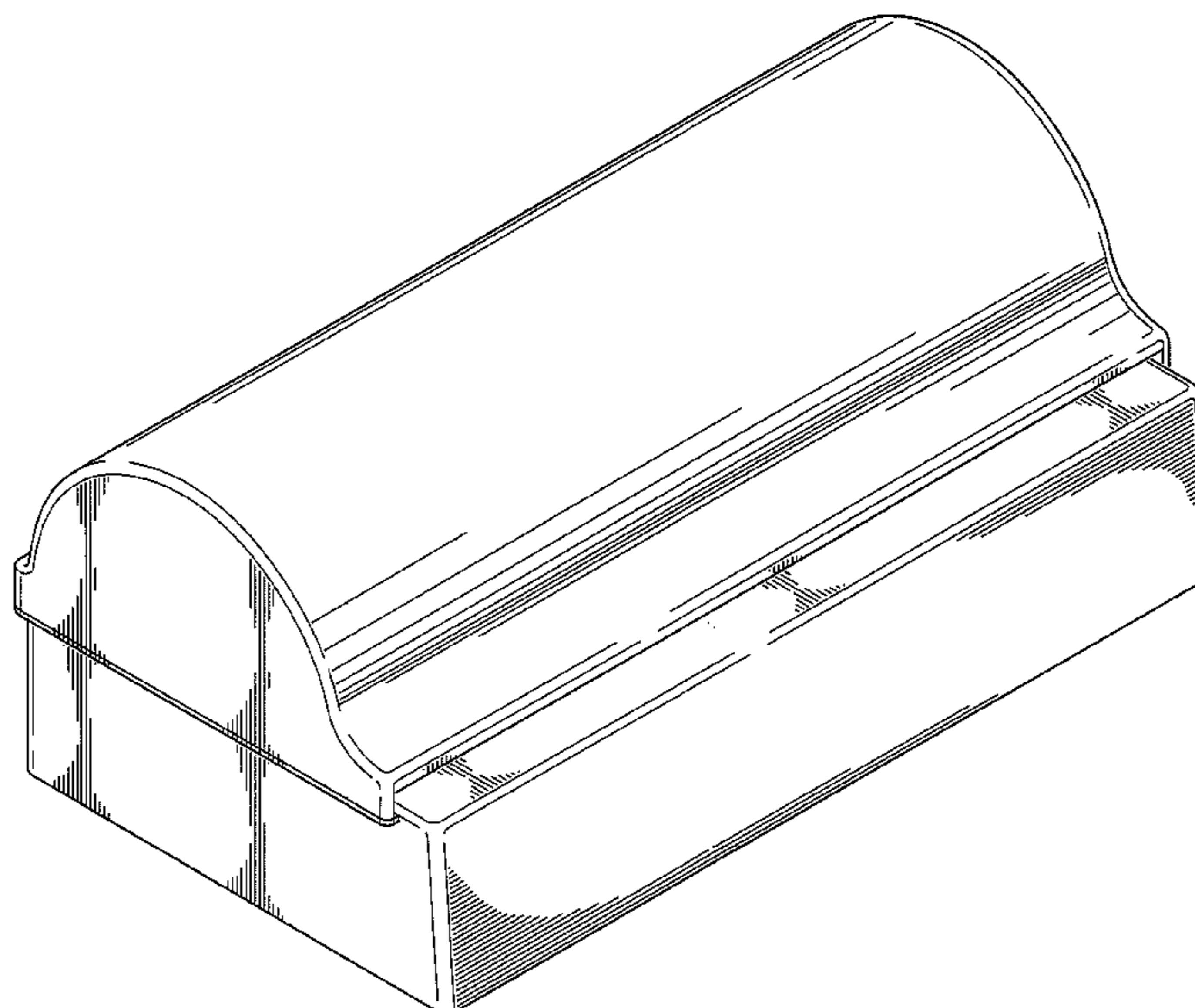
FIG. 4 is a left side view of the container, the right side view being a mirror image thereof;

FIG. 5 is a top plan view of the container; and,

FIG. 6 is a bottom plan view of the container.

The broken line showing of environmental structure in FIG. 6 is for illustrative purposes only and forms no part of the claim.

**1 Claim, 4 Drawing Sheets**



# US D556,831 S

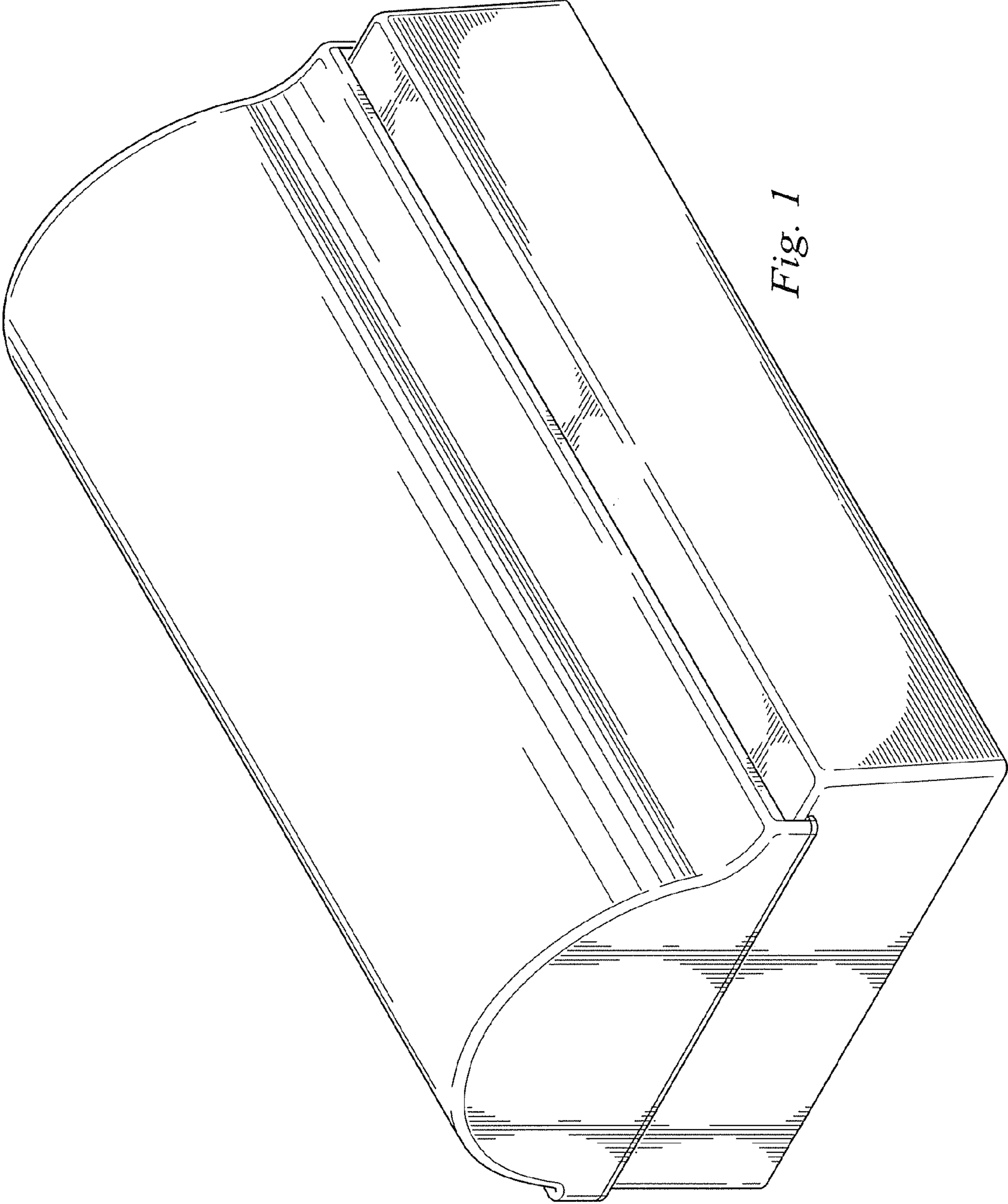
Page 2

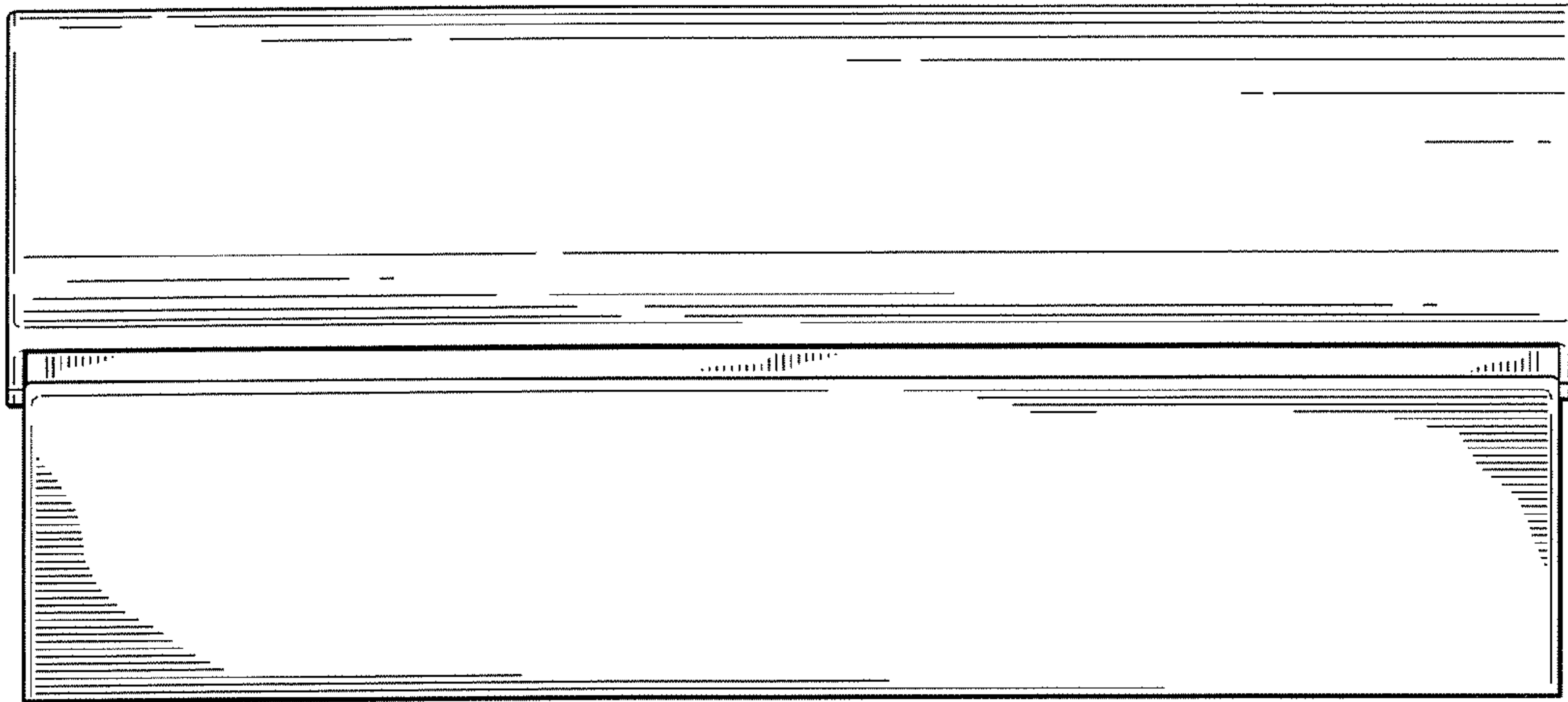
---

## U.S. PATENT DOCUMENTS

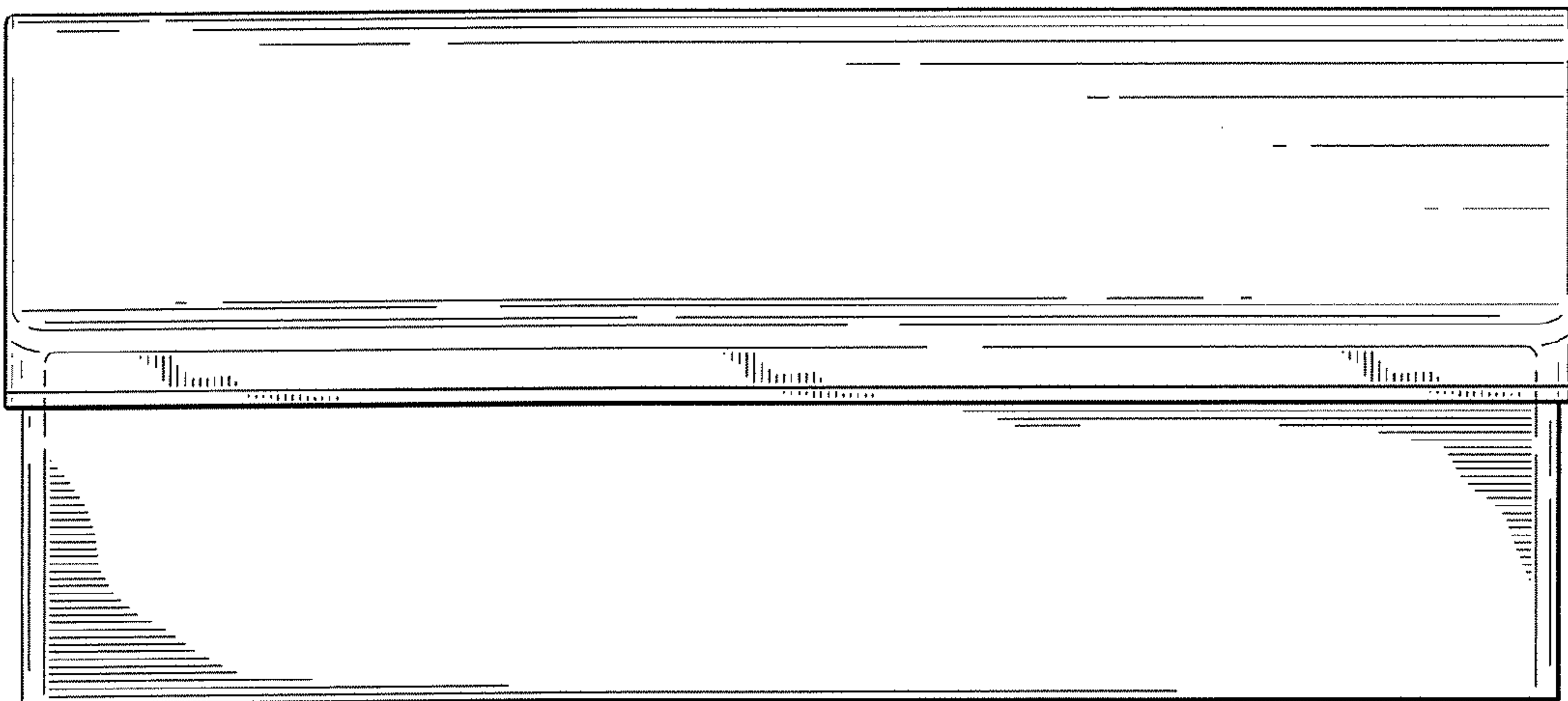
D335,816 S	5/1993	Fraker et al.			
D398,646 S *	9/1998	Geiger .....	D19/69		
D403,575 S	1/1999	Milliorn			
5,950,959 A	9/1999	Milliorn			
D454,369 S	3/2002	Milliorn			
6,647,096 B1	11/2003	Milliorn et al.			
D492,356 S	6/2004	Milliorn et al.			
D500,087 S *	12/2004	Siegel .....	D19/69		
D501,225 S	1/2005	Milliorn			
6,991,106 B2	1/2006	Milliorn			
D517,122 S	3/2006	Milliorn			
2006/0210754 A1 *	9/2006	Presutti et al. ....	428/42.3		

\* cited by examiner

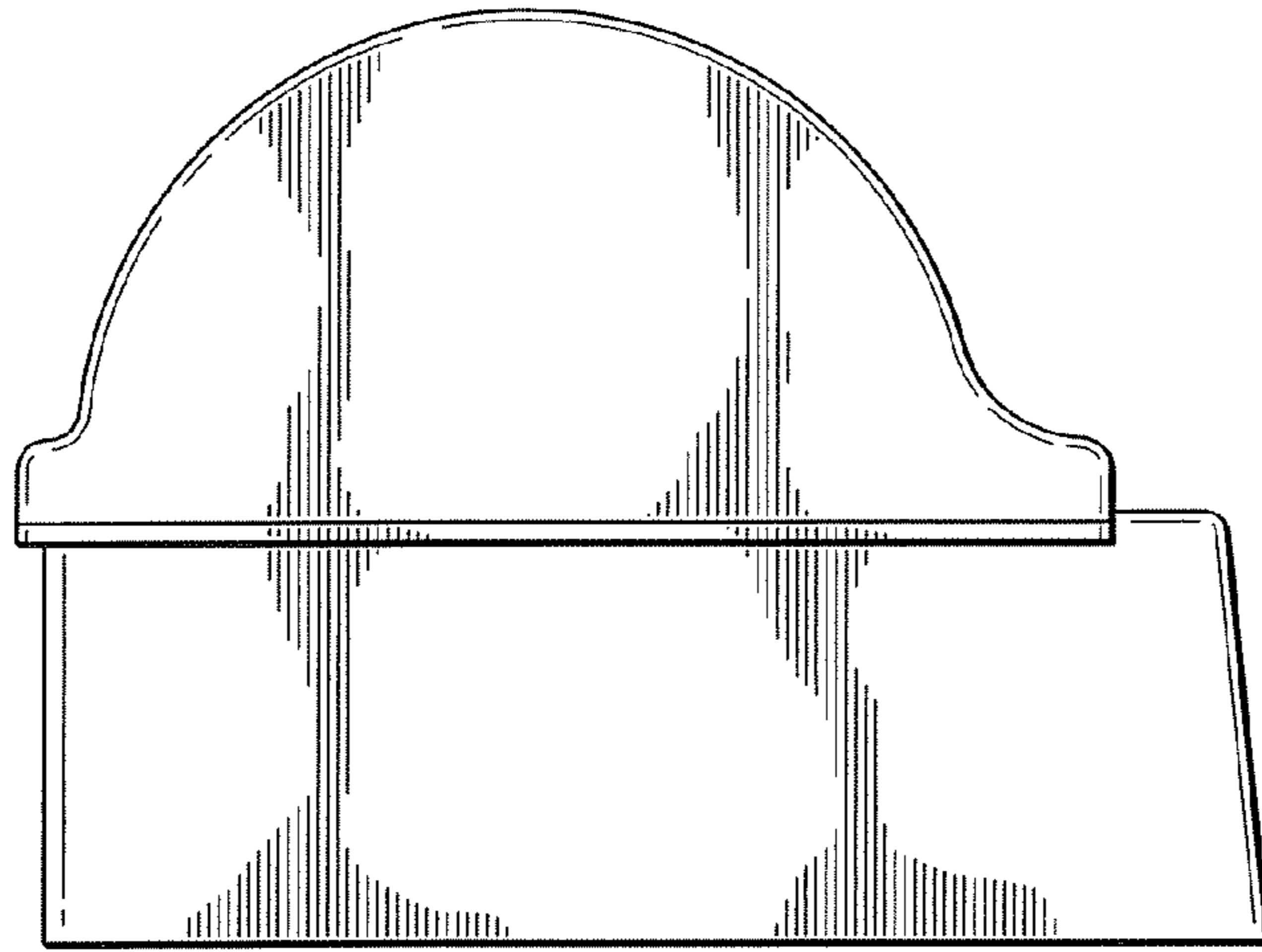




*Fig. 2*



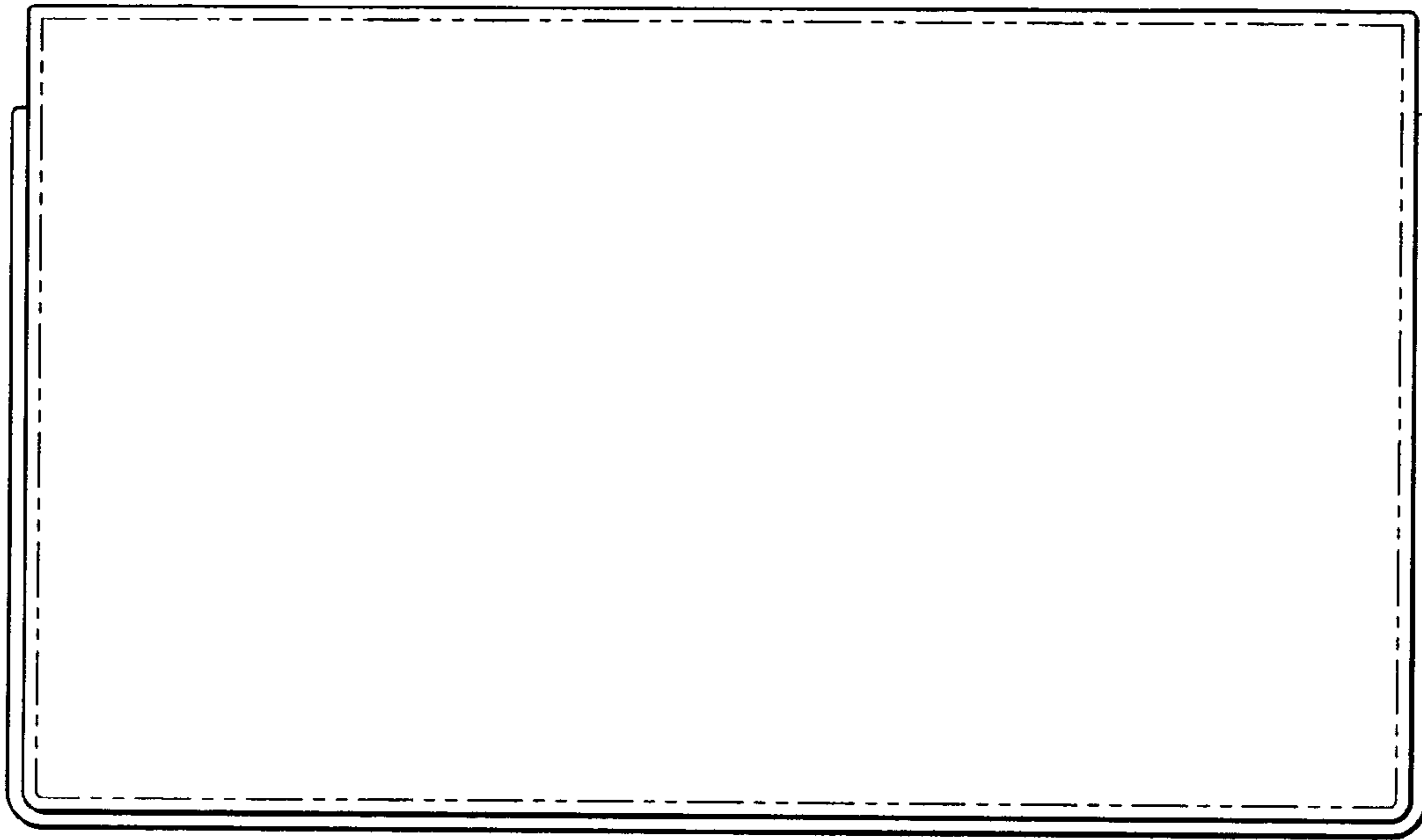
*Fig. 3*



*Fig. 4*



*Fig. 5*



*Fig. 6*