



US00D556830S

(12) **United States Design Patent**
Crowell et al.

(10) **Patent No.:** **US D556,830 S**
(45) **Date of Patent:** **** Dec. 4, 2007**

(54) **HOLDER CONTAINING FOLDED
EXPANDABLE DISPLAY MEMBER**

(76) Inventors: **Christopher S. Crowell**, 66-2A Tinker
La., Lyme, CT (US) 06371; **Joseph R.
Klim**, 40 Edbert Dr., New Britain, CT
(US) 06052

(**) Term: **14 Years**

(21) Appl. No.: **29/262,685**

(22) Filed: **Jul. 6, 2006**

(51) **LOC (8) Cl.** **19-06**

(52) **U.S. Cl.** **D19/86; D11/131; D11/142**

(58) **Field of Classification Search** **D3/247,**
D3/303, 900; D11/131, 142, 184; D19/26-31,
D19/75-92; 40/124.01-124.19; 206/215,
206/425, 472; 229/67.1-67.4; 281/21.1,
281/29, 31; 428/7, 8, 9, 11, 12, 28, 542.2,
428/542.6

See application file for complete search history.

(56) **References Cited**

U.S. PATENT DOCUMENTS

| | | | | | |
|-----------|-----|---------|-----------|-------|---------|
| 231,394 | A * | 8/1880 | Brown | | 206/214 |
| 1,621,703 | A * | 3/1927 | Adams | | 428/9 |
| D135,393 | S * | 3/1943 | Weinger | | D19/86 |
| 3,340,133 | A * | 9/1967 | Krekovich | | 428/9 |
| 3,430,761 | A * | 3/1969 | Pelkey | | 206/309 |
| 4,001,964 | A * | 1/1977 | Hooker | | 446/488 |
| D271,919 | S * | 12/1983 | Duffy | | D3/303 |
| 4,452,471 | A * | 6/1984 | Wessner | | 281/48 |
| 4,456,258 | A * | 6/1984 | Lodrick | | 273/241 |
| D295,289 | S * | 4/1988 | Nickow | | D19/26 |

| | | | | | |
|-----------|------|---------|--------------|-------|----------|
| D334,772 | S * | 4/1993 | Wyant | | D19/26 |
| 5,670,219 | A * | 9/1997 | Na | | 428/8 |
| 6,089,608 | A * | 7/2000 | Exline | | 281/21.1 |
| 6,817,806 | B1 * | 11/2004 | Arellanes | | 405/114 |
| D513,279 | S * | 12/2005 | Hough et al. | | D19/86 |

* cited by examiner

Primary Examiner—Elizabeth A. Albert
(74) *Attorney, Agent, or Firm*—Melvin I. Stoltz

(57) **CLAIM**

The ornamental design for holder containing folded expandable display member, as shown and described.

DESCRIPTION

FIG. 1 is a perspective view of the holder containing folded expandable display member in a closed position showing our new design;

FIG. 2 is a side elevational view thereof, the opposite side being a mirror image;

FIG. 3 is a top plan view thereof;

FIG. 4 is an bottom plan view thereof;

FIG. 5 is a perspective view thereof in the open position and depicting a foldable product housed therein;

FIG. 6 is a perspective view of the foldable product unfolded, shown without the holder for convenience of illustration; and,

FIG. 7 is a perspective view of an alternate embodiment of a foldable product which is retained in the holder containing folded expandable display member and is shown unfolded.

1 Claim, 4 Drawing Sheets

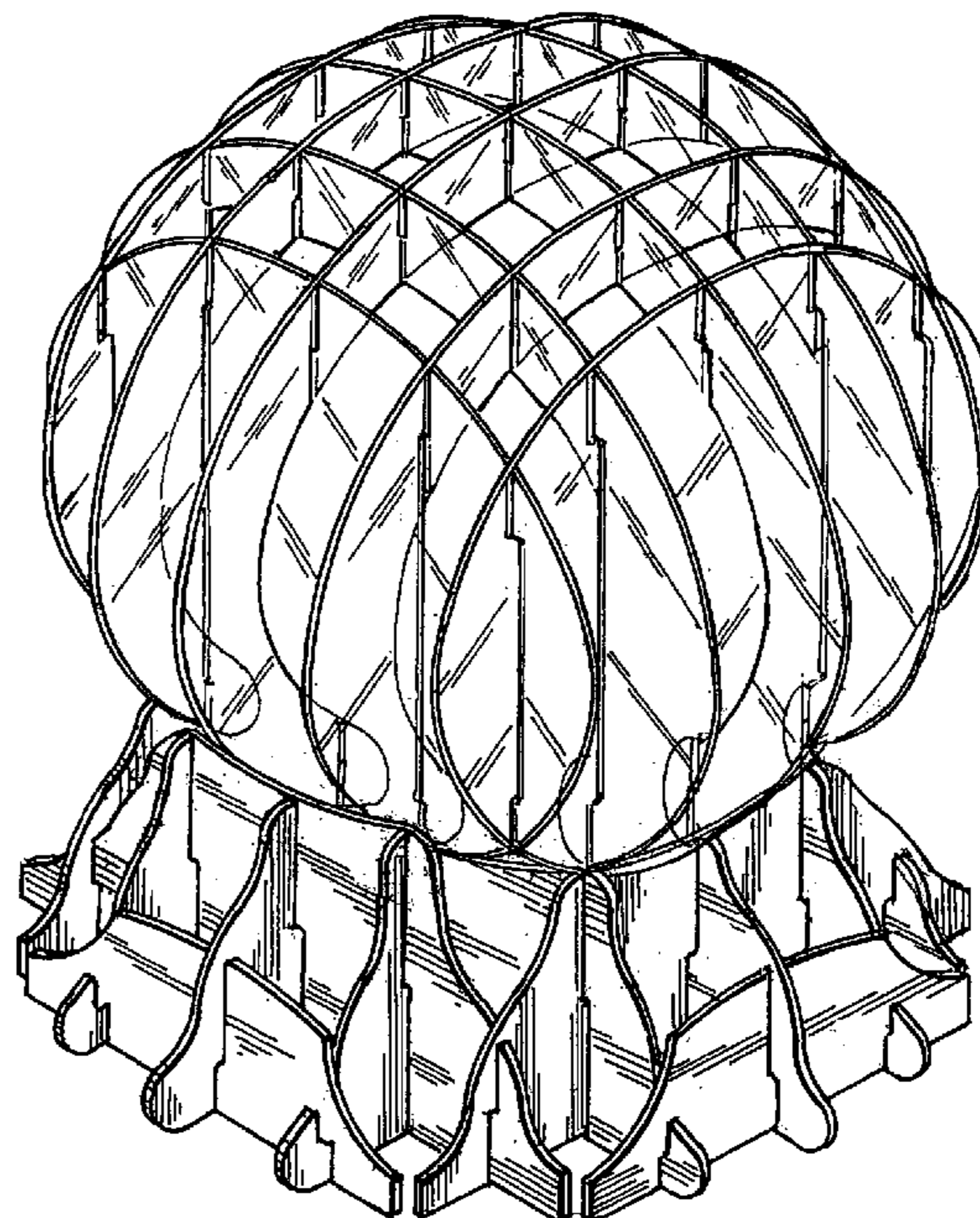
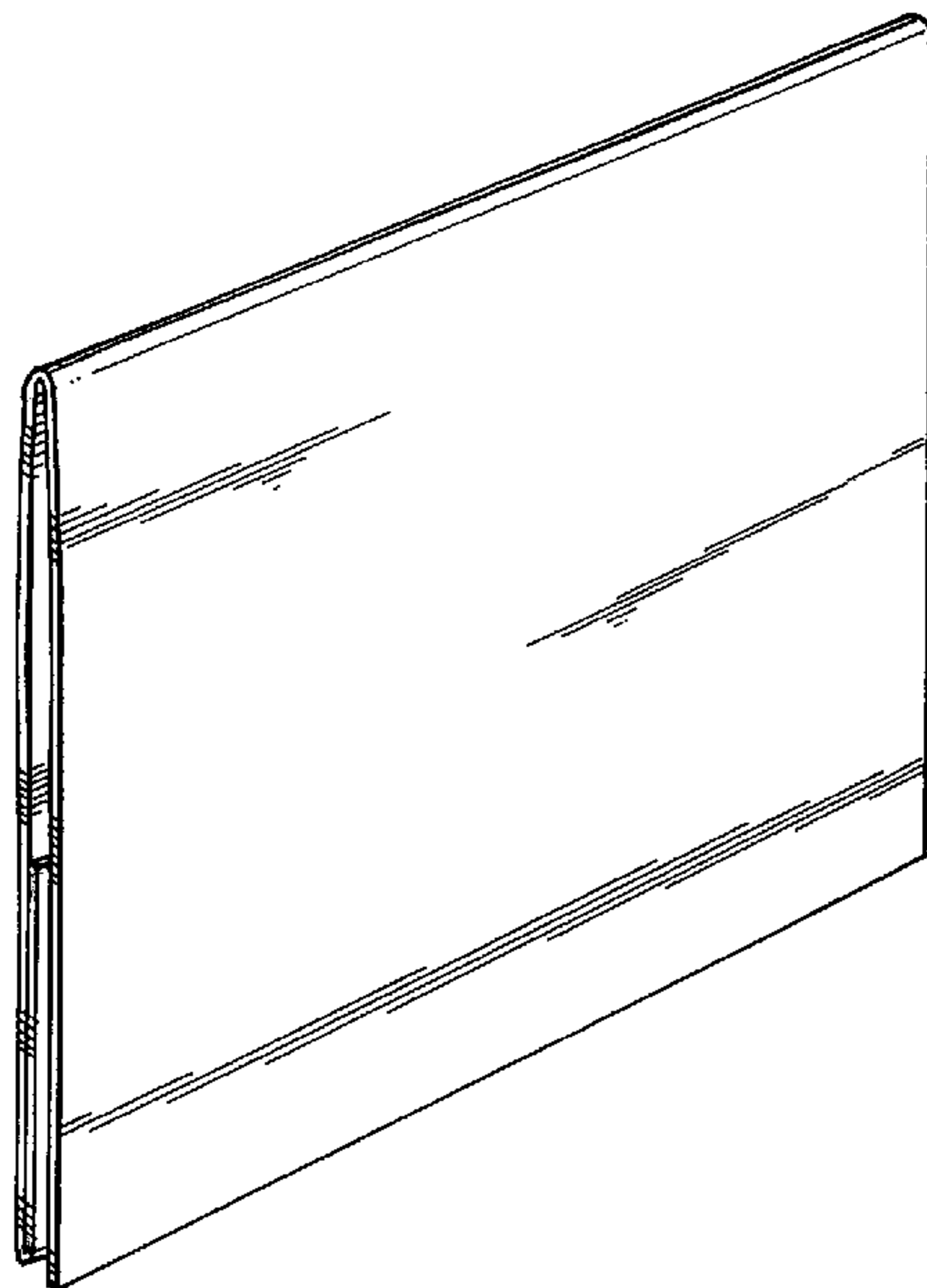


FIG. 1

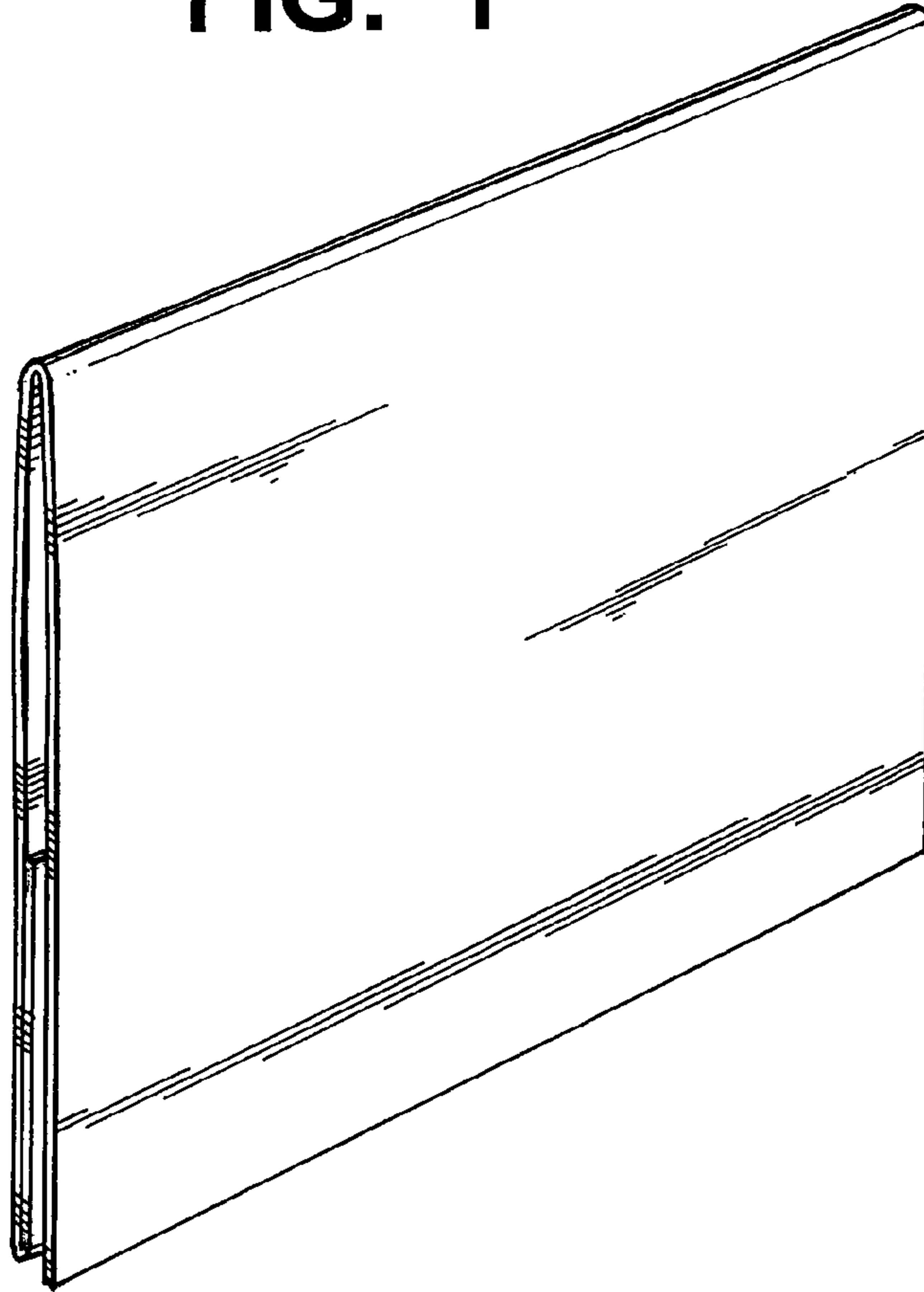


FIG. 2



FIG. 3

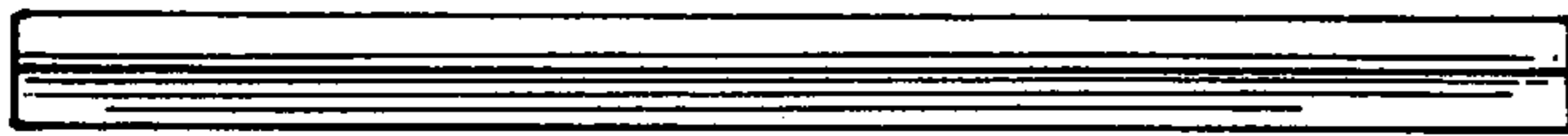


FIG. 4



FIG. 5

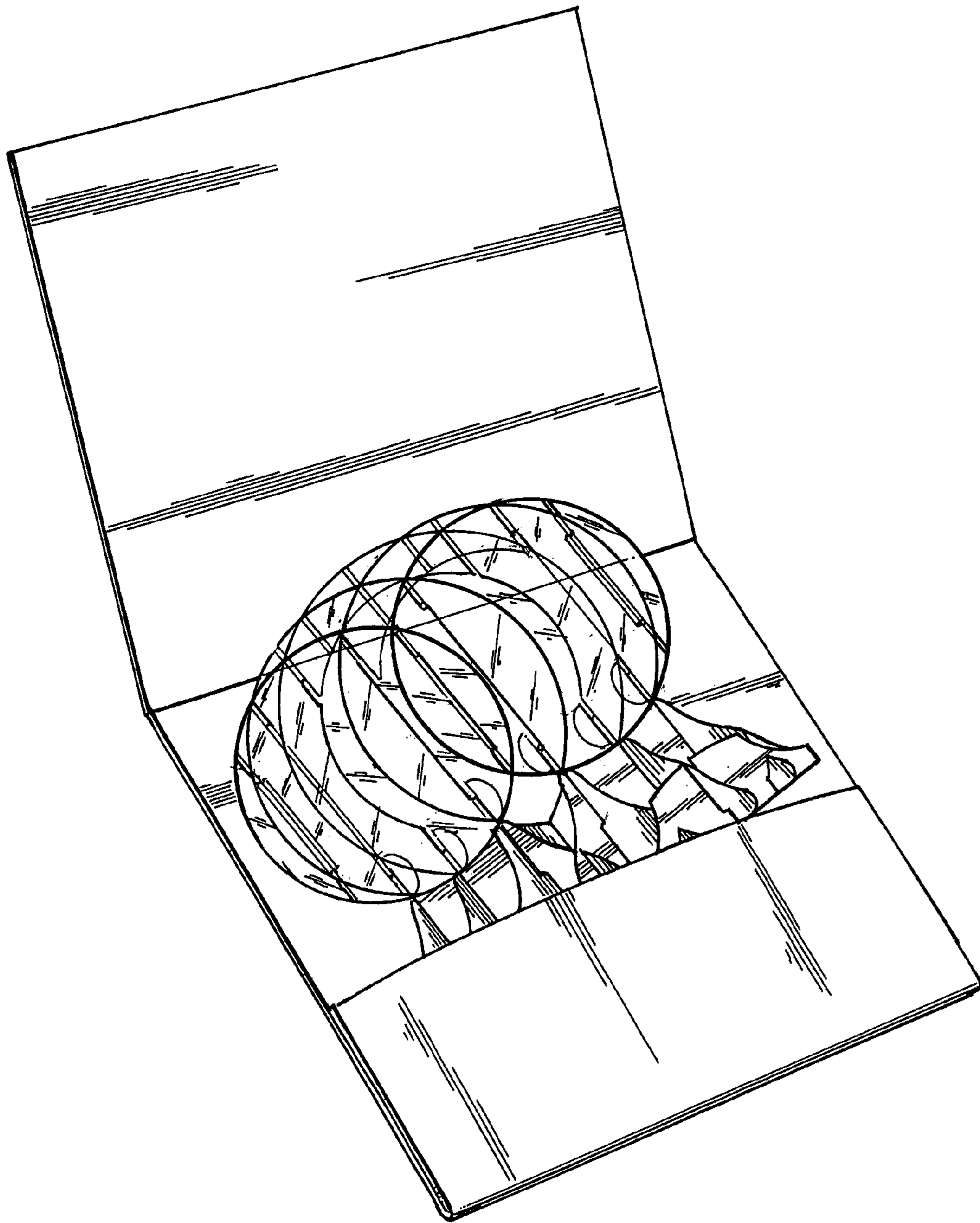


FIG. 6

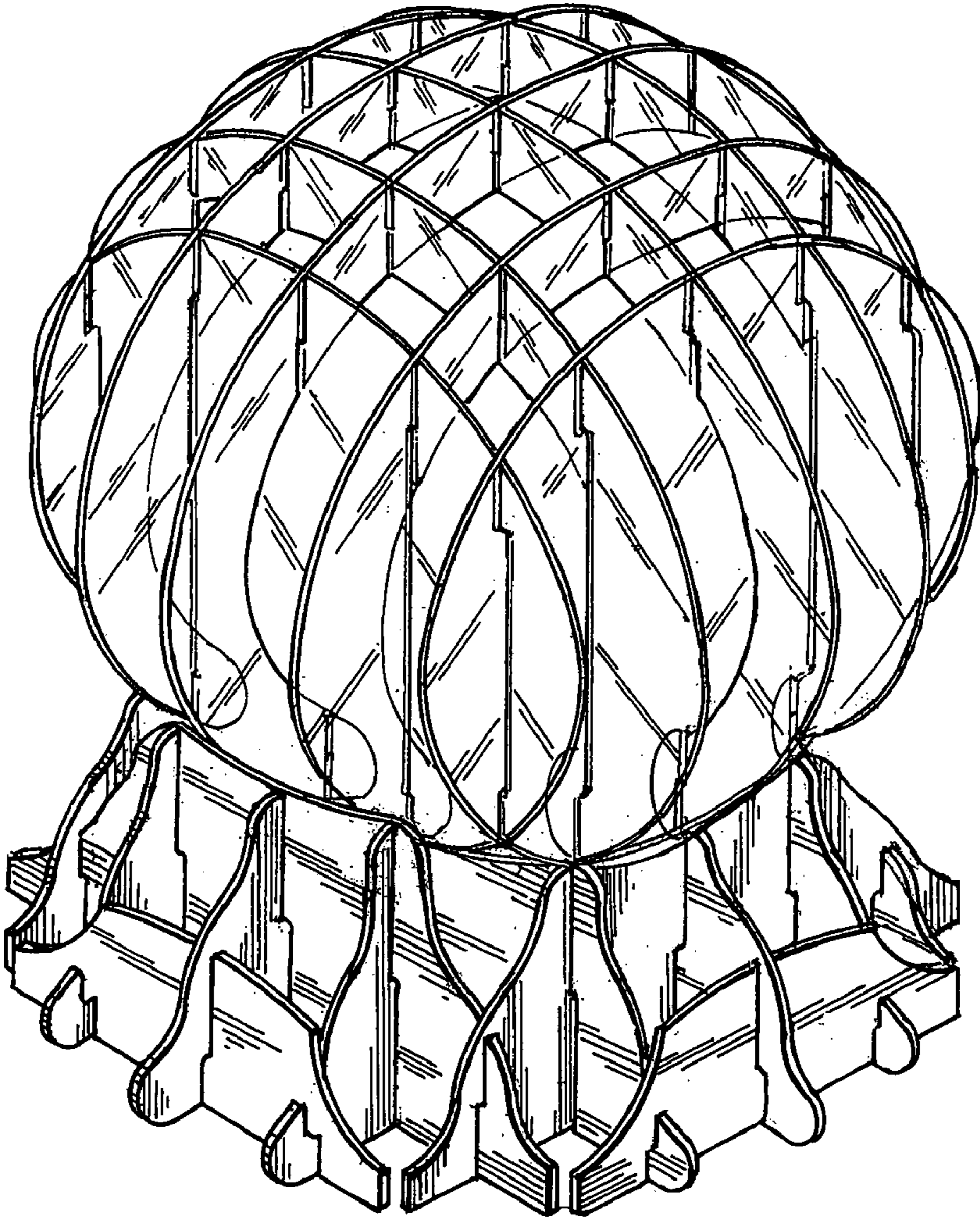


FIG. 7

