

US00D556826S

(12) **United States Design Patent**
White et al.

(10) **Patent No.:** **US D556,826 S**

(45) **Date of Patent:** **** Dec. 4, 2007**

(54) **DRY ERASE BOARD**

D407,666 S * 4/1999 Churchville D11/132
D503,702 S * 4/2005 Stevens et al. D14/214

(75) Inventors: **John White**, Chicago, IL (US); **Kyle Brookshire**, Los Altos, CA (US)

* cited by examiner

(73) Assignee: **Sanford, L.P.**, Oak Brook, IL (US)

Primary Examiner—Elizabeth A. Albert

(**) Term: **14 Years**

(74) *Attorney, Agent, or Firm*—Marshall, Gerstein & Borun LLP

(21) Appl. No.: **29/269,723**

(57) **CLAIM**

(22) Filed: **Dec. 7, 2006**

The ornamental design for a dry erase board, as shown and described.

Related U.S. Application Data

DESCRIPTION

(63) Continuation of application No. 29/234,153, filed on Jul. 14, 2005, now Pat. No. Des. 536,036.

FIG. 1 is a perspective view showing our design for a dry erase board;

(51) **LOC (8) Cl.** **19-06**

FIG. 2 is a top plan view of the dry erase board of FIG. 1;

(52) **U.S. Cl.** **D19/52**

FIG. 3 is a front view of the dry erase board of FIG. 1;

(58) **Field of Classification Search** D6/406.6,
D6/420, 509; D19/35, 36, 52, 75, 77; D20/10;
40/1, 606.1, 611.02; 248/447.1; 312/230,
312/231; 428/81; 434/408–424

FIG. 4 is a bottom plan view of the dry erase board of FIG. 1;

See application file for complete search history.

FIG. 5 is a perspective view showing a second embodiment of our design for a dry erase board;

(56) **References Cited**

FIG. 6 is a top plan view of the dry erase board of FIG. 5;

U.S. PATENT DOCUMENTS

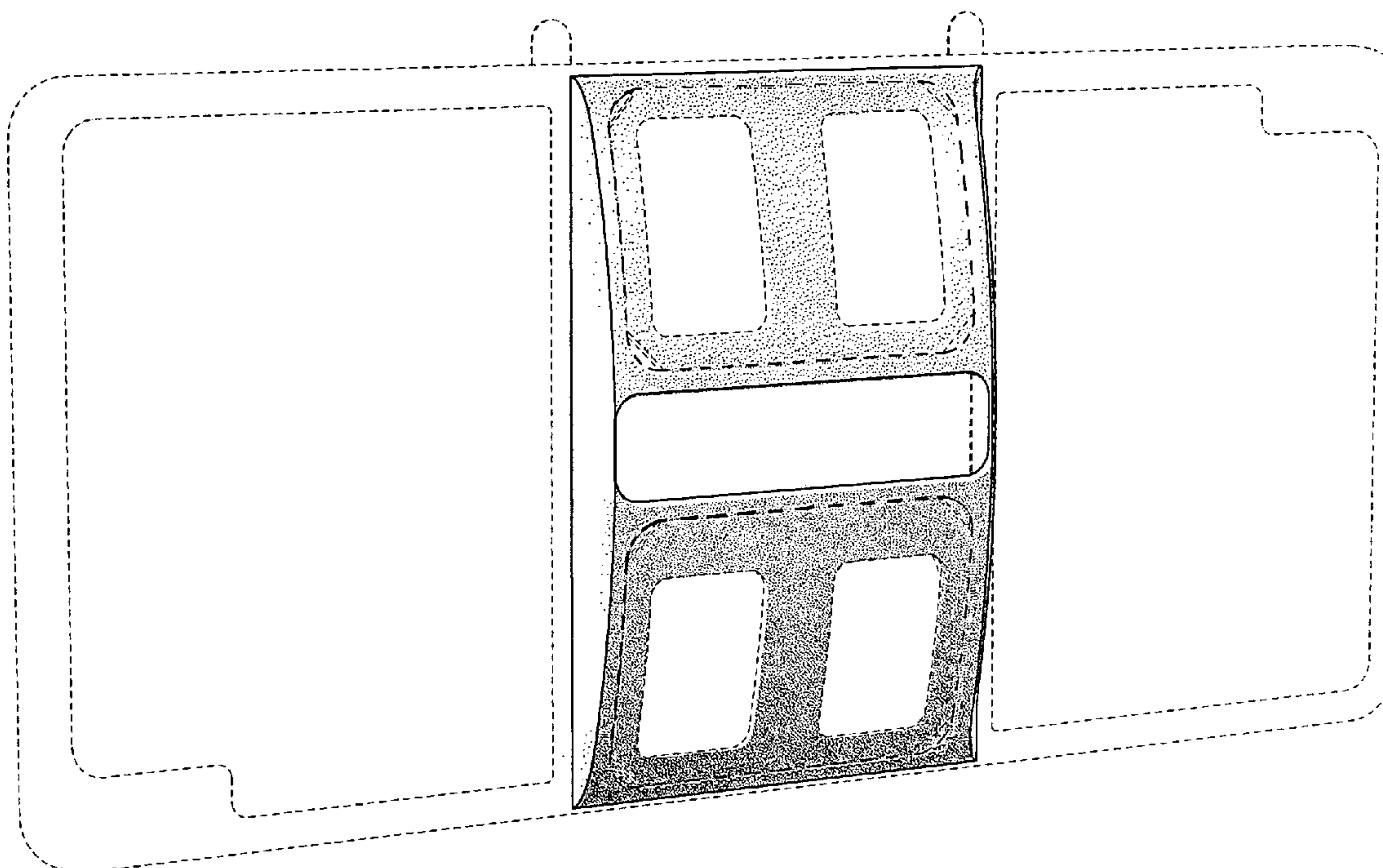
FIG. 7 is a front view of the dry erase board of FIG. 5; and,

D31,853 S * 11/1899 Coles D19/22
D156,974 S * 1/1950 Knowles D19/35
D189,489 S * 12/1960 Jackson D6/476
D370,816 S * 6/1996 Hofman et al. D6/568
D396,959 S * 8/1998 Wolff D6/301

FIG. 8 is a bottom plan view of the dry erase board of FIG. 5.

The dashed lines are for illustrative purposes only and form no part of the claimed design.

1 Claim, 4 Drawing Sheets



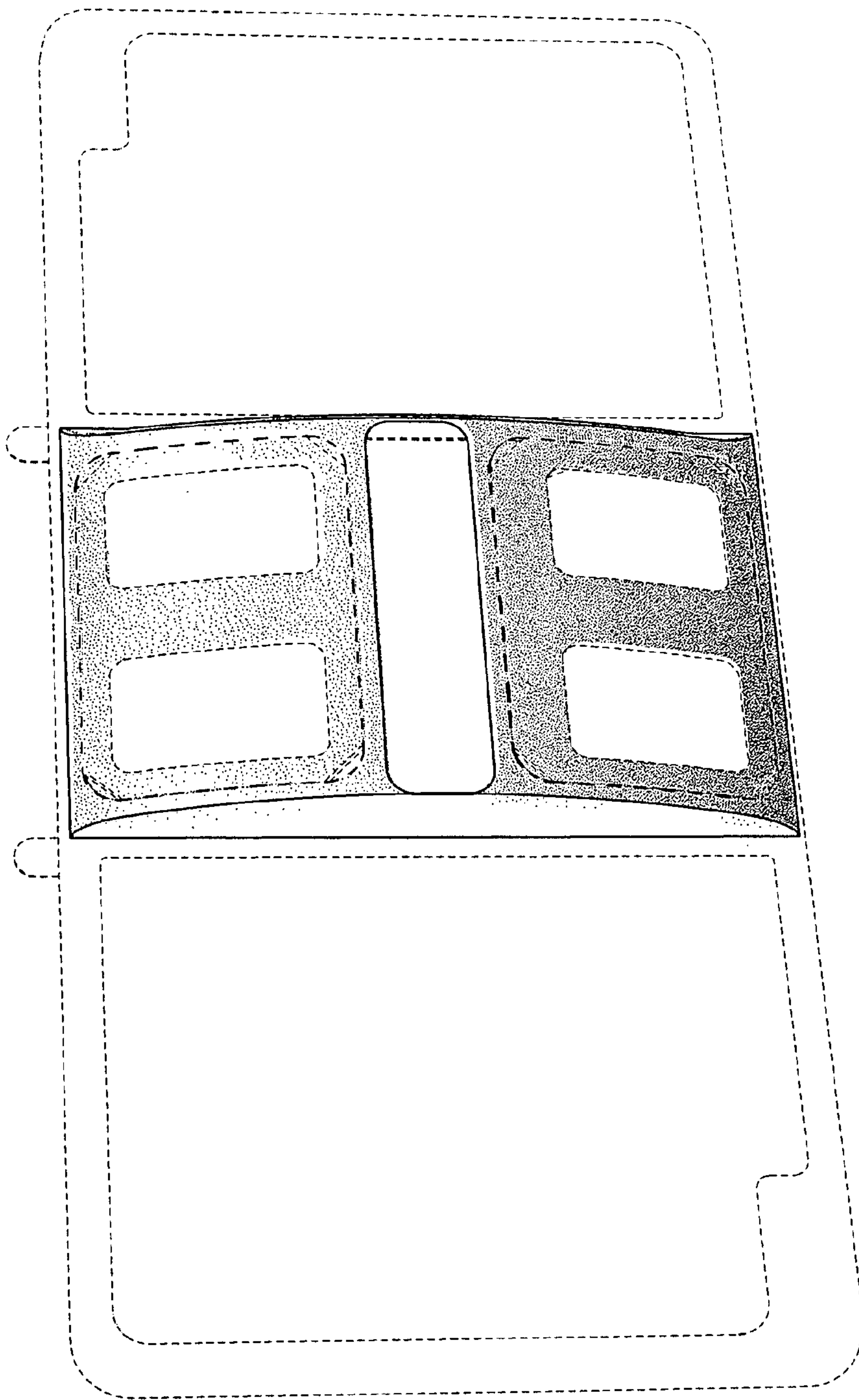


FIG. 1

FIG. 2

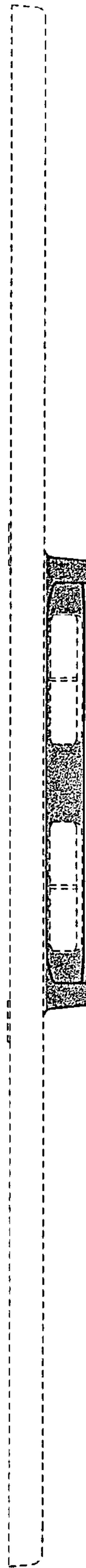


FIG. 3

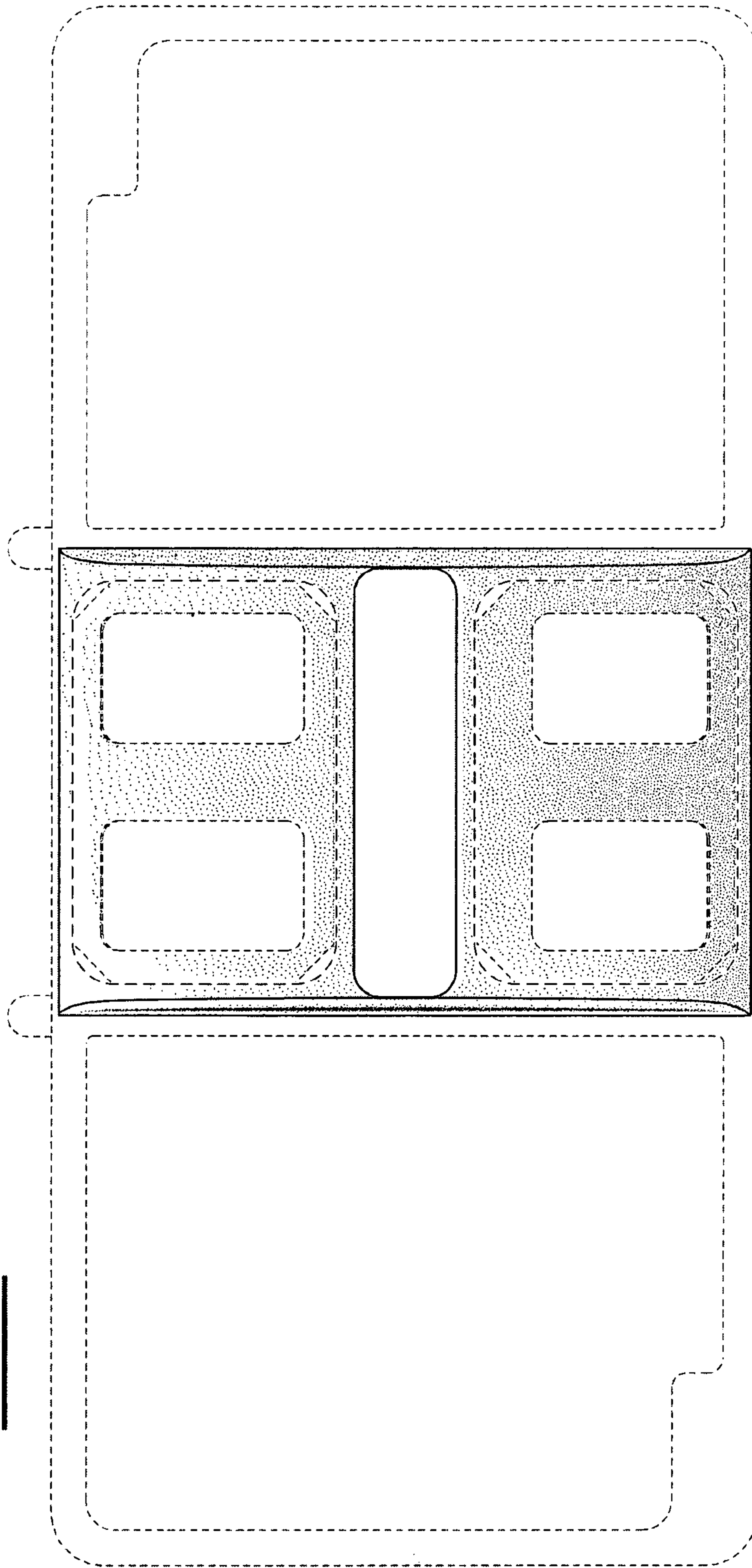
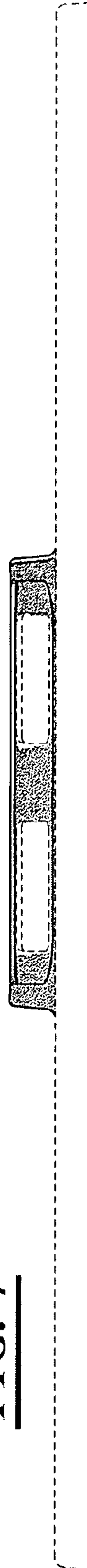


FIG. 4



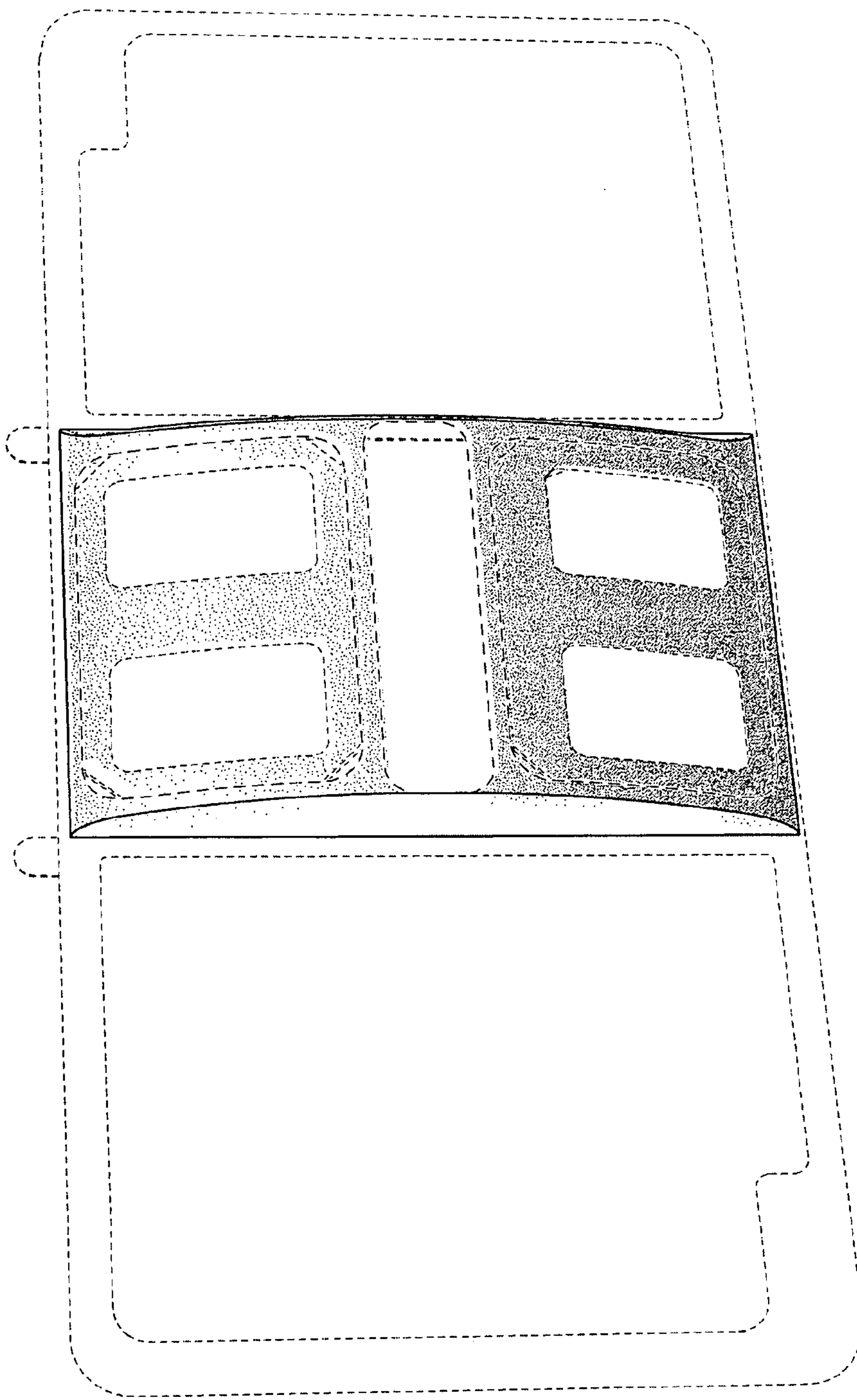


FIG. 5

FIG. 6

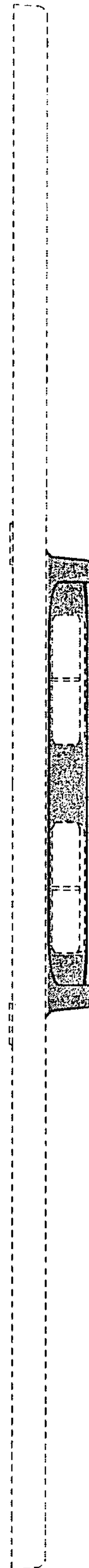


FIG. 7

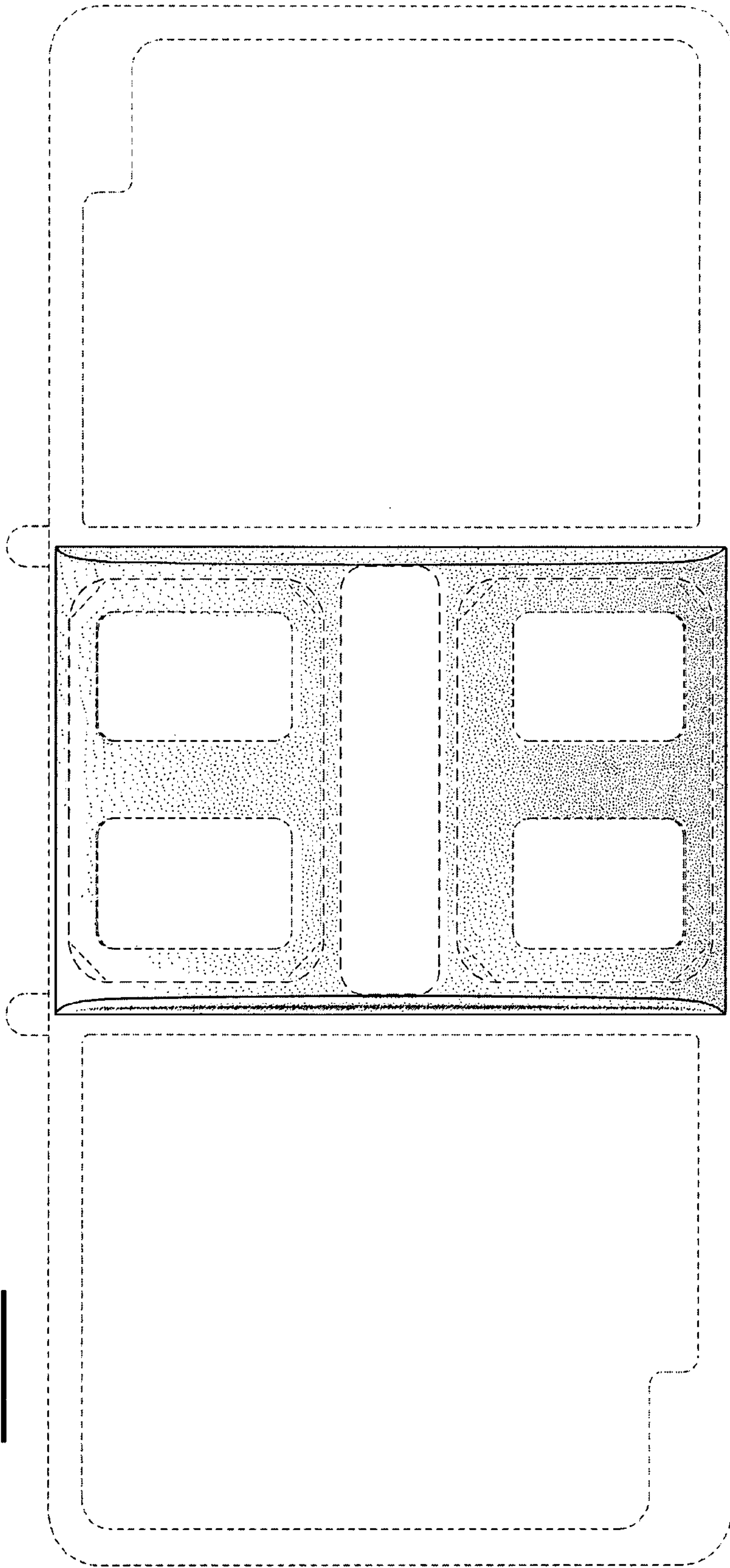


FIG. 8

