



US00D556815S

(12) **United States Design Patent**  
**Travers et al.**

(10) **Patent No.:** **US D556,815 S**  
(45) **Date of Patent:** **\*\* Dec. 4, 2007**

(54) **VIRTUAL DISPLAY EYEGLASSES**

(75) Inventors: **Paul J. Travers**, Honeoye Falls, NY (US); **Paul J. Churnetski**, West Henrietta, NY (US); **Stephen J. Glaser**, Pittsford, NY (US); **David Vogler**, Rochester, NY (US); **James Gresko**, Rochester, NY (US); **Christopher J. Lundgren**, Fairport, NY (US)

(73) Assignee: **Icuiti Corporation**, Rochester, NY (US)

(\*\*) Term: **14 Years**

(21) Appl. No.: **29/240,442**

(22) Filed: **Oct. 13, 2005**

**Related U.S. Application Data**

(63) Continuation of application No. 29/218,181, filed on Nov. 29, 2004, now abandoned.

(51) **LOC (8) Cl.** ..... **16-06**

(52) **U.S. Cl.** ..... **D16/325**

(58) **Field of Classification Search** ..... D16/300-330, D16/130; D14/372; D21/324; D26/38-39; 273/148 B; 351/41, 44, 49, 51-52, 158; 2/422, 424, 426-435, 440, 452, 453; 359/409; D29/103-112

See application file for complete search history.

(56) **References Cited**

**U.S. PATENT DOCUMENTS**

4,484,029 A	11/1984	Kenney	
5,003,300 A	3/1991	Wells	
5,276,471 A *	1/1994	Yamauchi et al.	351/158
5,504,812 A	4/1996	Vangarde	
D381,346 S *	7/1997	Ronzani et al.	D16/130
D383,455 S *	9/1997	MacInnes et al.	D14/372
5,694,467 A	12/1997	Young, III	

5,715,321 A	2/1998	Andrea et al.	
D402,287 S *	12/1998	Kawashima	D14/372
6,016,347 A	1/2000	Magnasco et al.	
D433,023 S *	10/2000	Pinchuk	D14/372
D436,086 S *	1/2001	Ishii	D14/126
D439,265 S *	3/2001	Hayashi	D16/300
D443,864 S *	6/2001	Obata	D14/126
6,351,252 B1 *	2/2002	Atsumi et al.	345/8
6,480,174 B1	11/2002	Kaufmann et al.	
6,677,919 B2	1/2004	Saito	
6,762,885 B1 *	7/2004	Ogasawara et al.	359/630
6,822,623 B2	11/2004	Kim et al.	
D513,032 S *	12/2005	Diamantidis	D16/300
2004/0113867 A1	6/2004	Tomine et al.	
2005/0168824 A1	8/2005	Travers et al.	

\* cited by examiner

*Primary Examiner*—Raphael Barkai

(74) *Attorney, Agent, or Firm*—Harter Secrest & Emery LLP; Stephen B. Salai, Esq.; Michael J. Didas, Esq.

(57) **CLAIM**

We claim the ornamental design for the virtual display eyeglasses, as shown.

**DESCRIPTION**

FIG. 1 is a top, front, left side perspective view of a first embodiment of a virtual display eyeglasses;

FIG. 2 is a front elevation of the virtual display eyeglasses shown in FIG. 1;

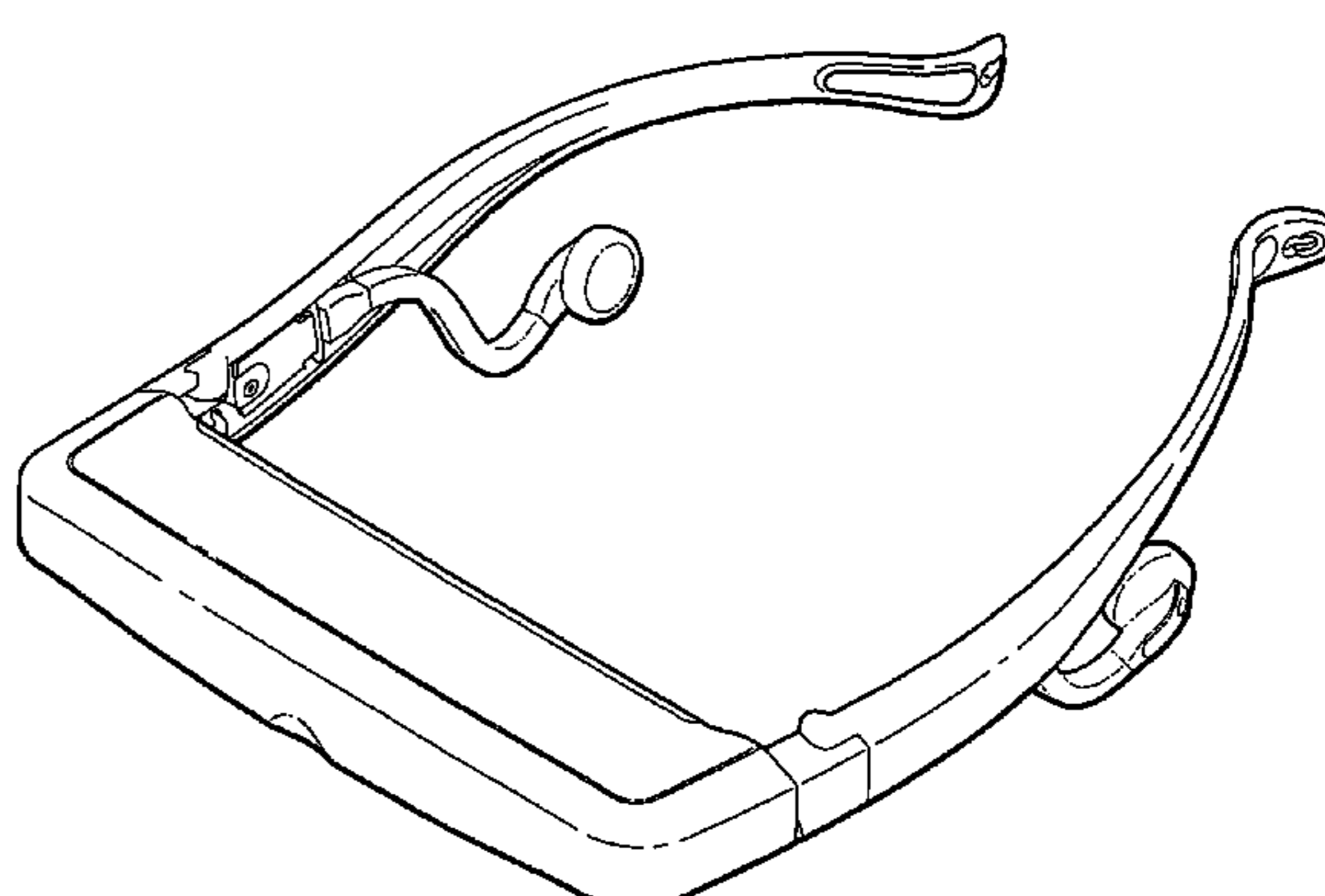
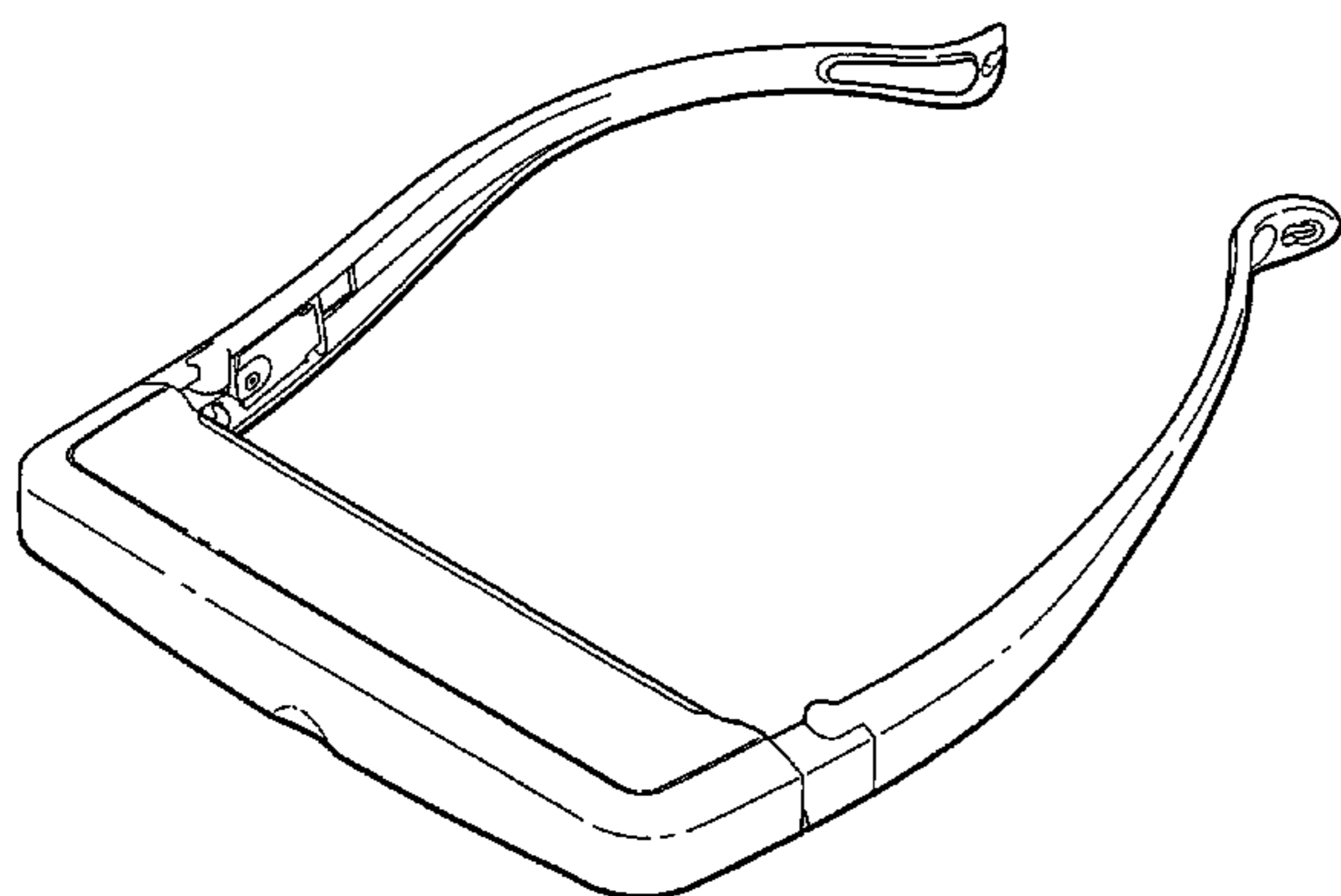
FIG. 3 is a left side elevation of the virtual display eyeglasses shown in FIG. 1;

FIG. 4 is a top front left side perspective view of a second embodiment of a virtual display eyeglasses;

FIG. 5 is a front elevation of the virtual display eyeglasses shown in FIG. 4; and,

FIG. 6 is a left side elevation of the virtual display eyeglasses shown in FIG. 4.

**1 Claim, 6 Drawing Sheets**



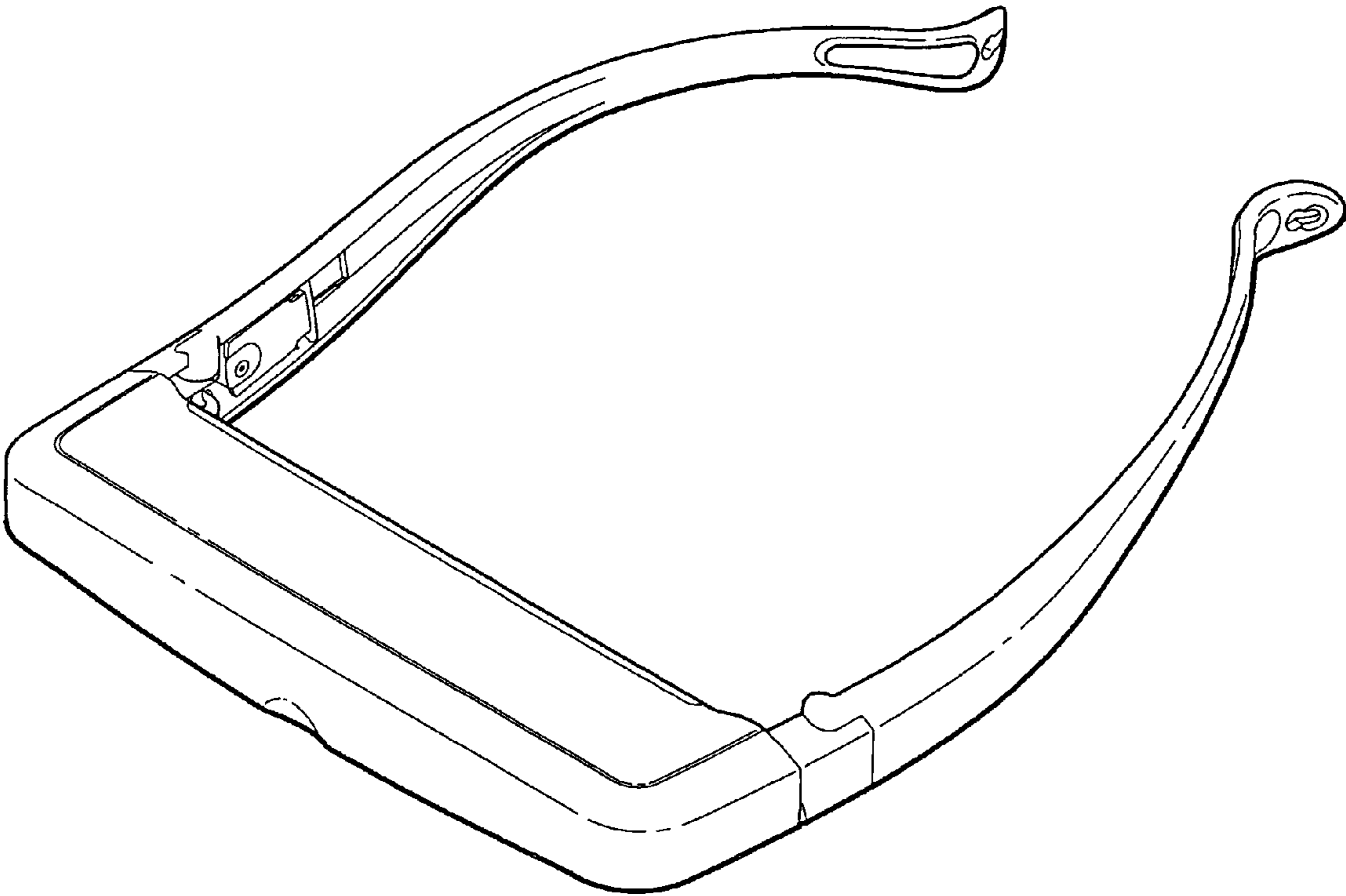
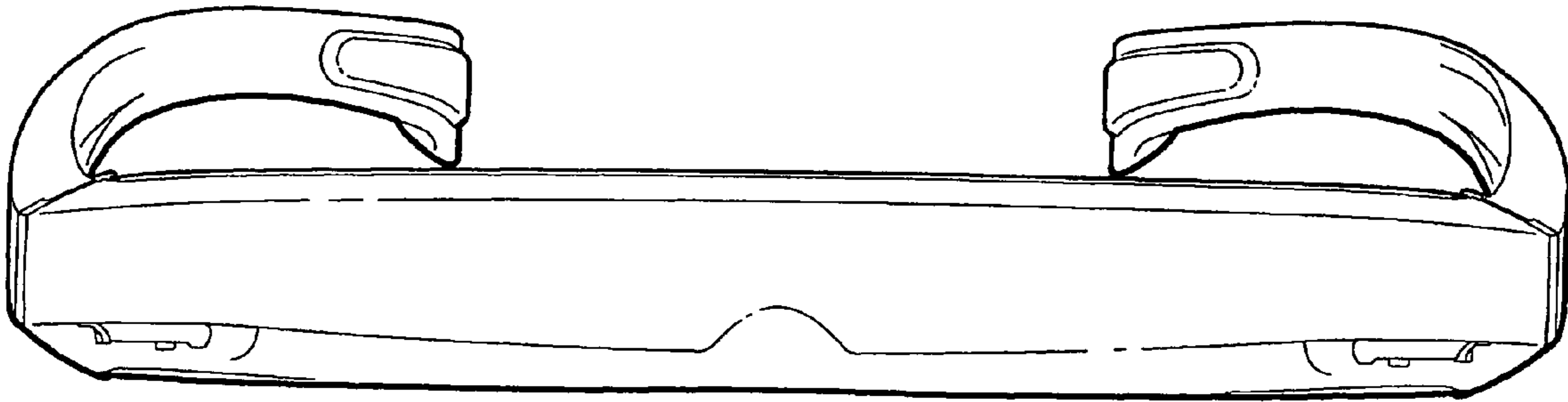
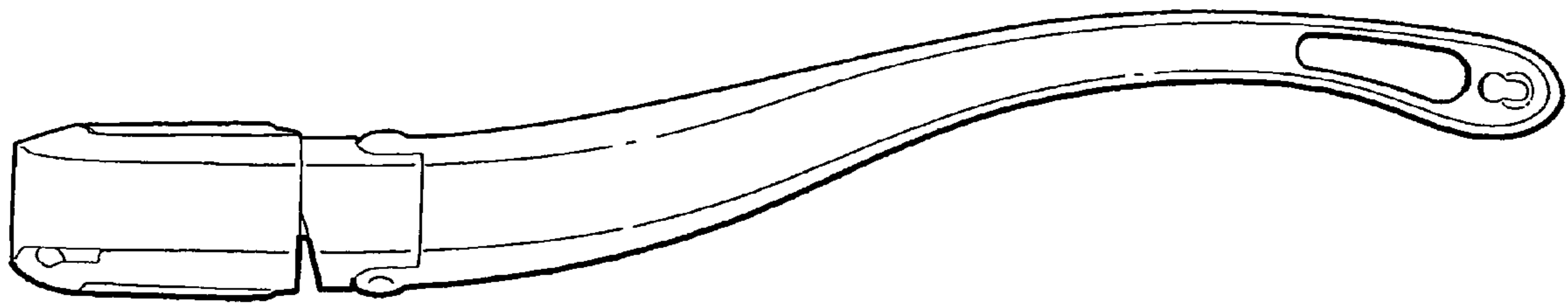


FIG. 1



*FIG. 2*



*FIG. 3*

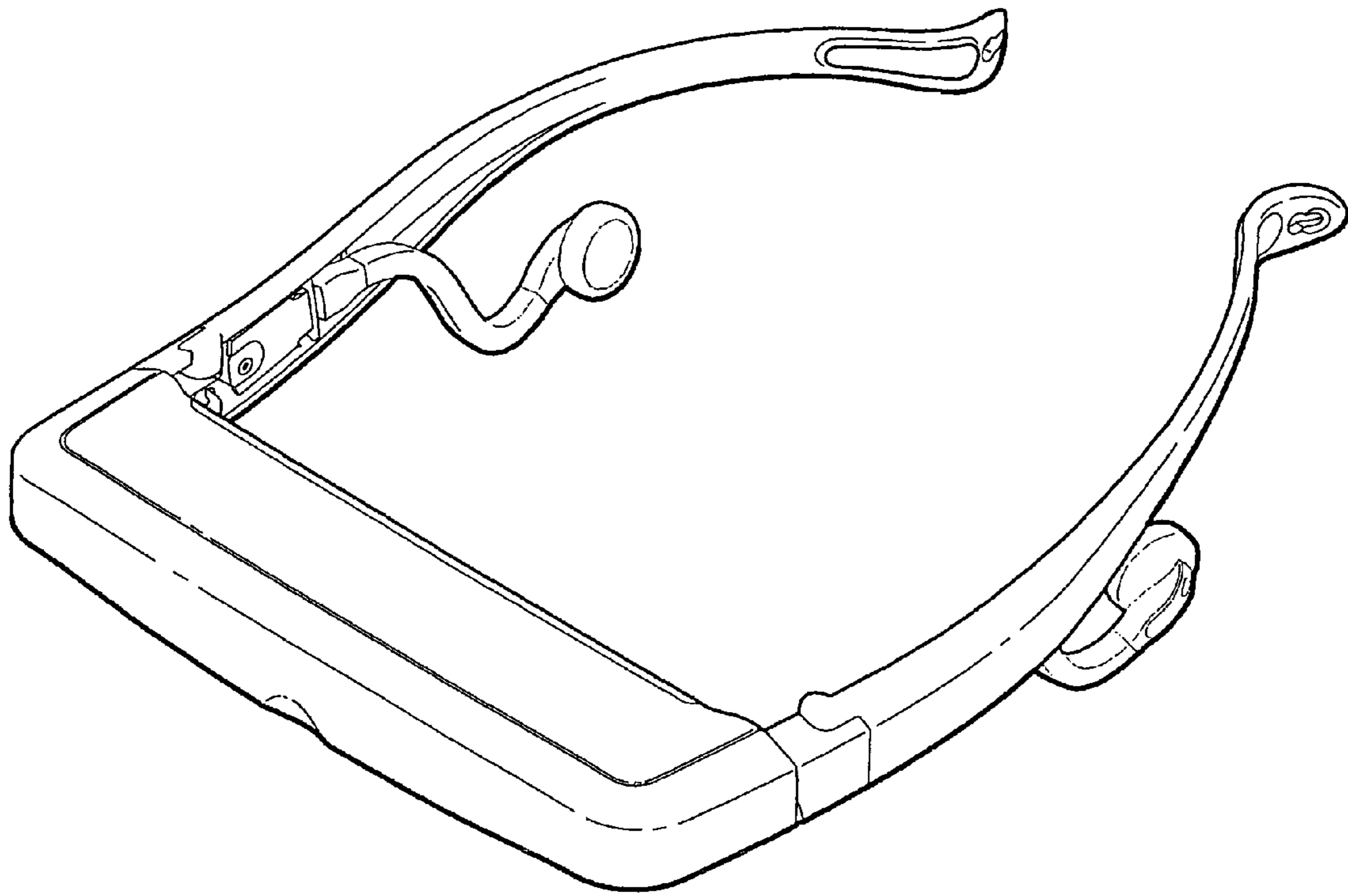
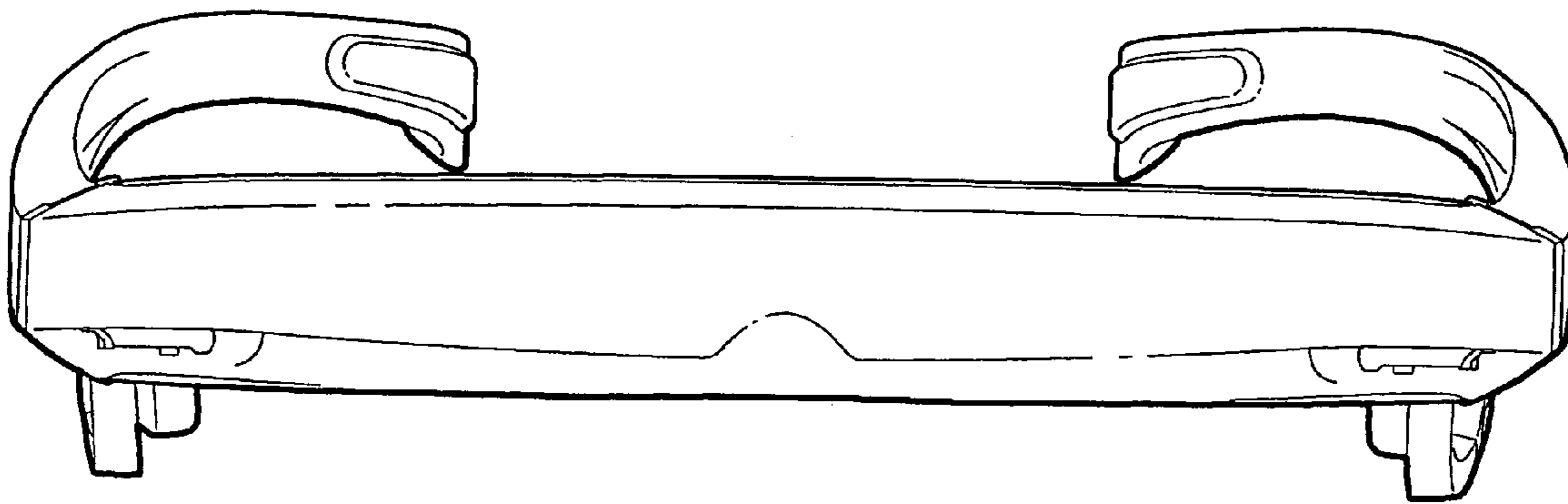


FIG. 4



*FIG. 5*

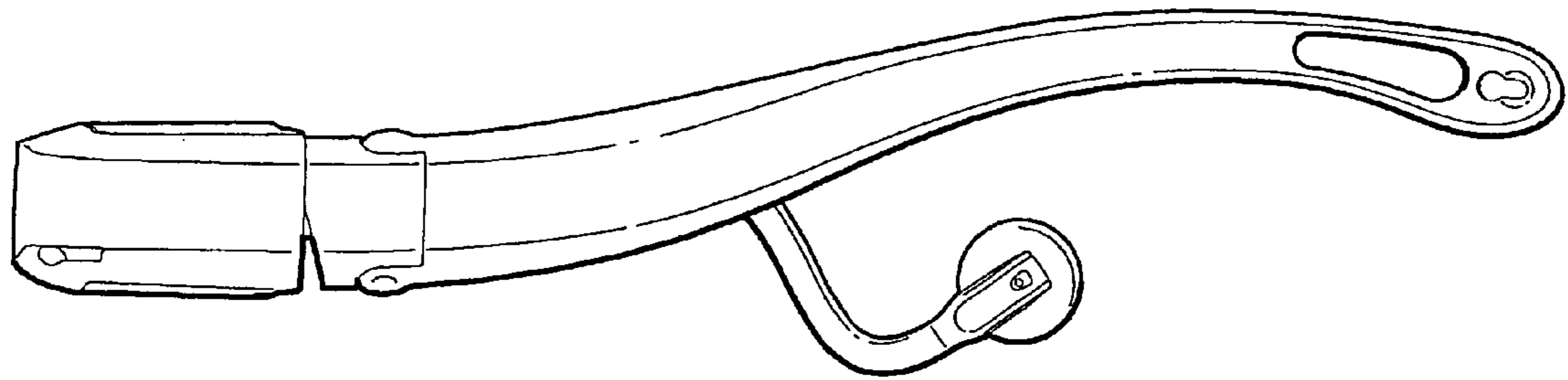


FIG. 6