



US00D556812S

(12) **United States Design Patent**
Wang-Lee

(10) **Patent No.:** **US D556,812 S**

(45) **Date of Patent:** **** Dec. 4, 2007**

(54) **GOGGLES**

(75) Inventor: **Tzu-Feng Wang-Lee**, Tainan (TW)

(73) Assignee: **Jiann Lih Optical Co. Ltd.**, Jen de Hsiang, Tainan (TW)

(**) Term: **14 Years**

(21) Appl. No.: **29/280,337**

(22) Filed: **May 24, 2007**

(51) **LOC (8) Cl.** **16-06**

(52) **U.S. Cl.** **D16/312**

(58) **Field of Classification Search** D16/102,
D16/103, 104, 107, 111-123, 127, 312; 2/436;
D29/8, 9; 351/41, 44, 51, 57, 110, 113-114,
351/118, 154, 172

See application file for complete search history.

(56) **References Cited**

U.S. PATENT DOCUMENTS

D224,483	S	*	8/1972	Crestin-Billet	D16/312
D242,666	S	*	12/1976	Smith	D16/312
D273,819	S	*	5/1984	Yehl	D16/312
D327,490	S	*	6/1992	Wilson	D16/312
D358,159	S	*	5/1995	Lai	D16/312
D364,181	S	*	11/1995	Arnette	D16/312
D403,689	S	*	1/1999	Mage	D16/312
D407,735	S	*	4/1999	Arnette	D16/312
6,009,564	A	*	1/2000	Tackles et al.	2/436

D427,225	S	*	6/2000	Arnette	D16/312
D439,596	S	*	3/2001	Bolle	D16/312
6,732,382	B2	*	5/2004	Dondero	2/436
D508,939	S	*	8/2005	Hussey et al.	D16/312
D510,378	S	*	10/2005	Dondero et al.	D16/312
D538,834	S	*	3/2007	Mangum	D16/312
D542,829	S	*	5/2007	Hsu	D16/312
D544,900	S	*	6/2007	Li et al.	D16/312

* cited by examiner

Primary Examiner—T. Chase Nelson

Assistant Examiner—Barbara B Lohr

(74) *Attorney, Agent, or Firm*—Alan Kamrath; Kamrath & Associates P.A.

(57) **CLAIM**

The ornamental design for goggles, as shown and described.

DESCRIPTION

FIG. 1 is a perspective view of goggles showing my new design;

FIG. 2 is a front side elevational view thereof;

FIG. 3 is a rear side elevational view thereof;

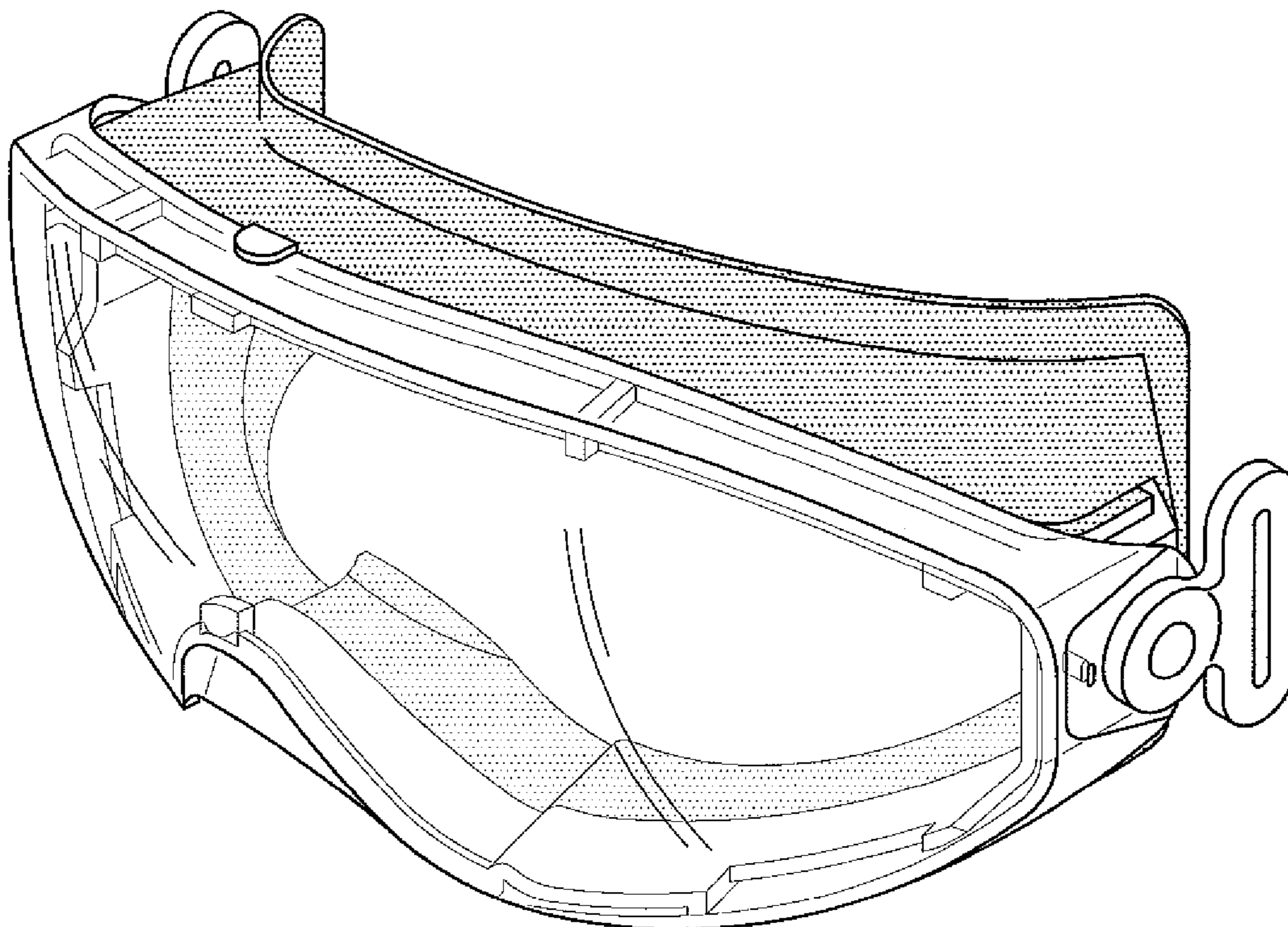
FIG. 4 is a left side elevational view thereof;

FIG. 5 is a right side elevational view thereof;

FIG. 6 is a top plan view thereof; and,

FIG. 7 is a bottom plan view thereof.

1 Claim, 4 Drawing Sheets



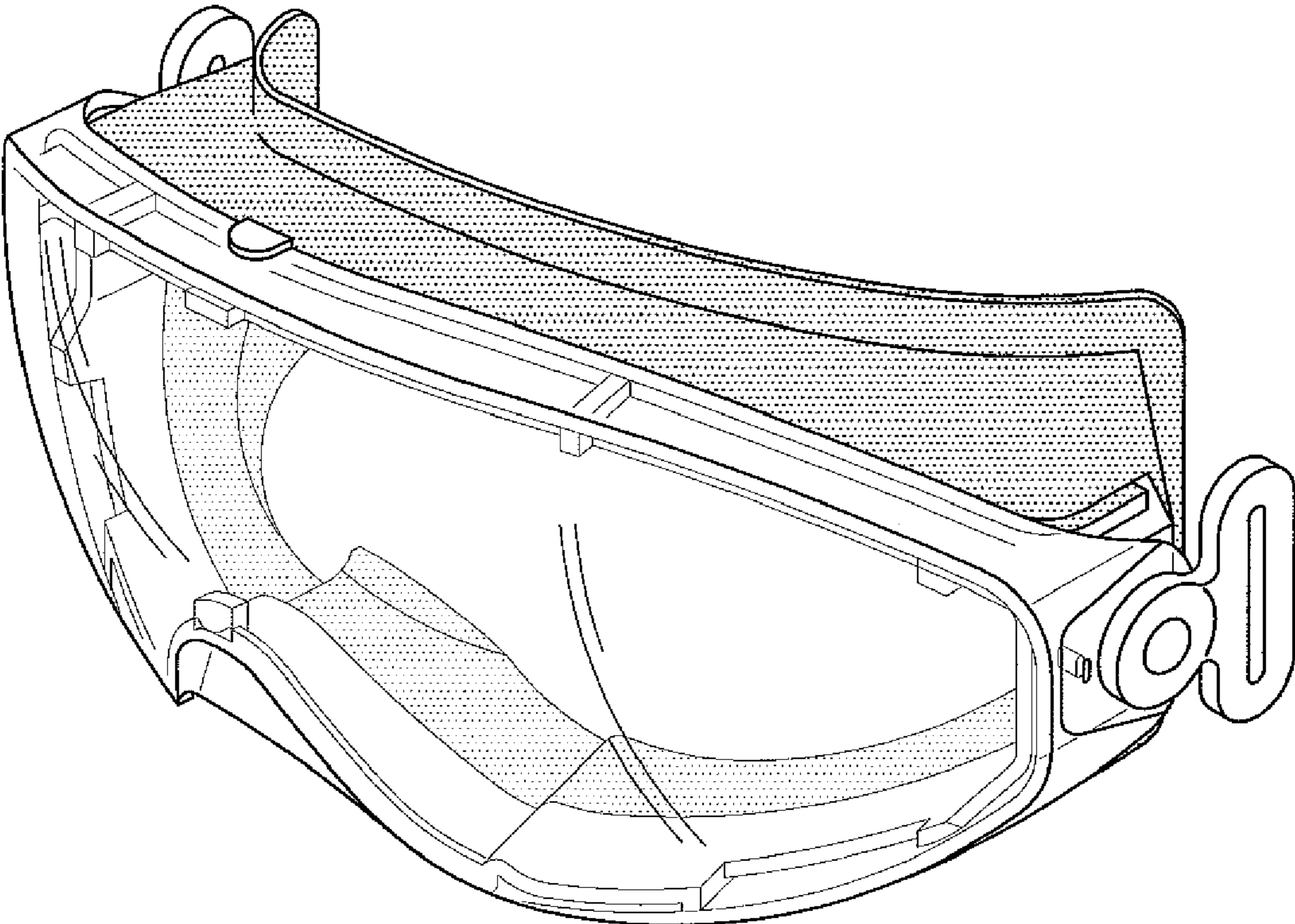


FIG. 1

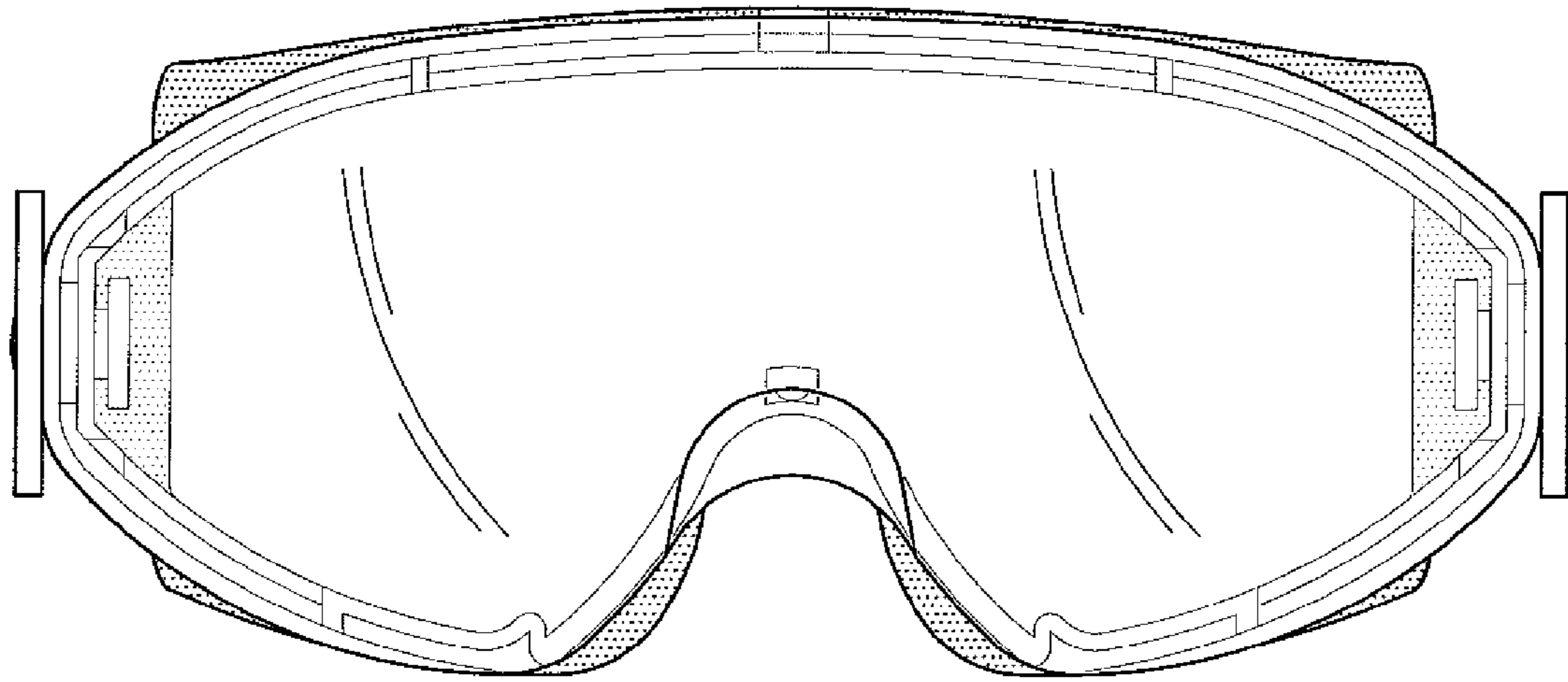


FIG. 2

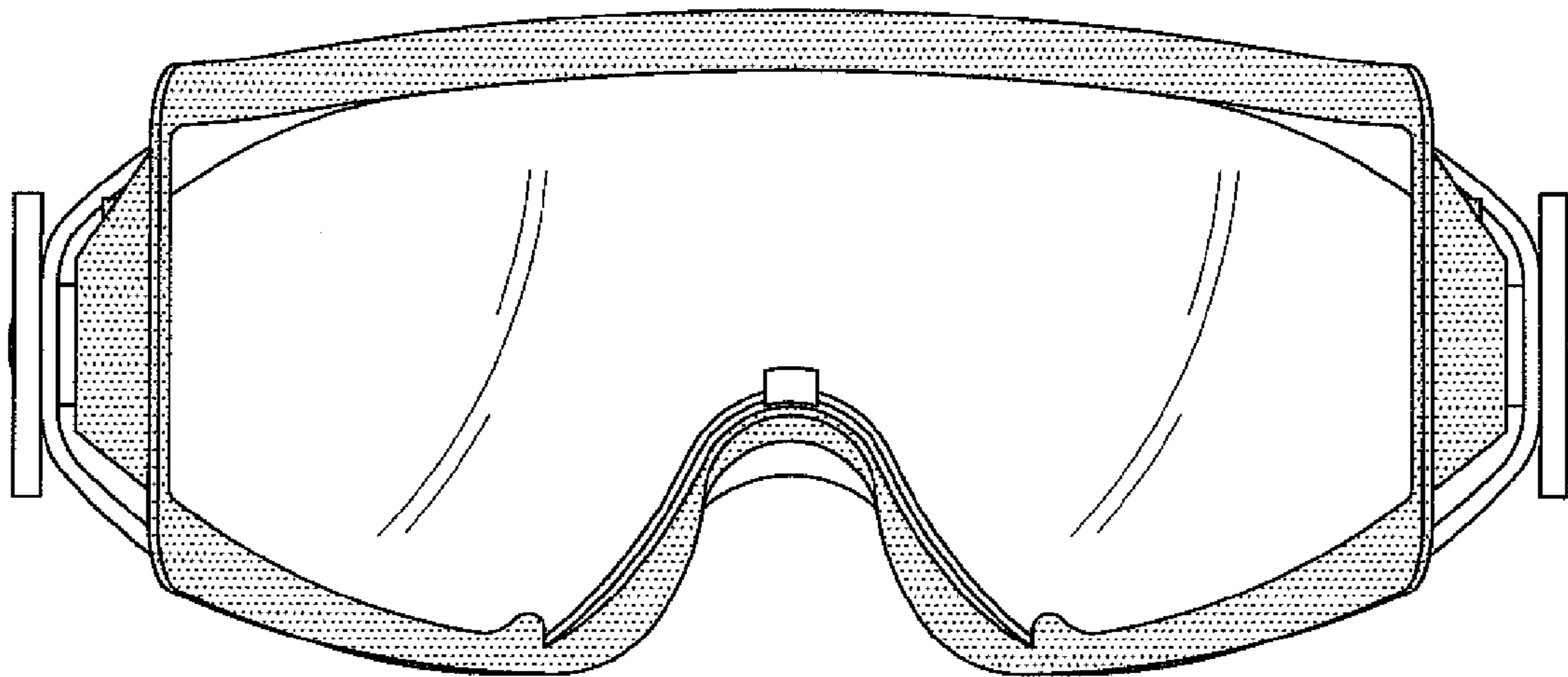


FIG. 3

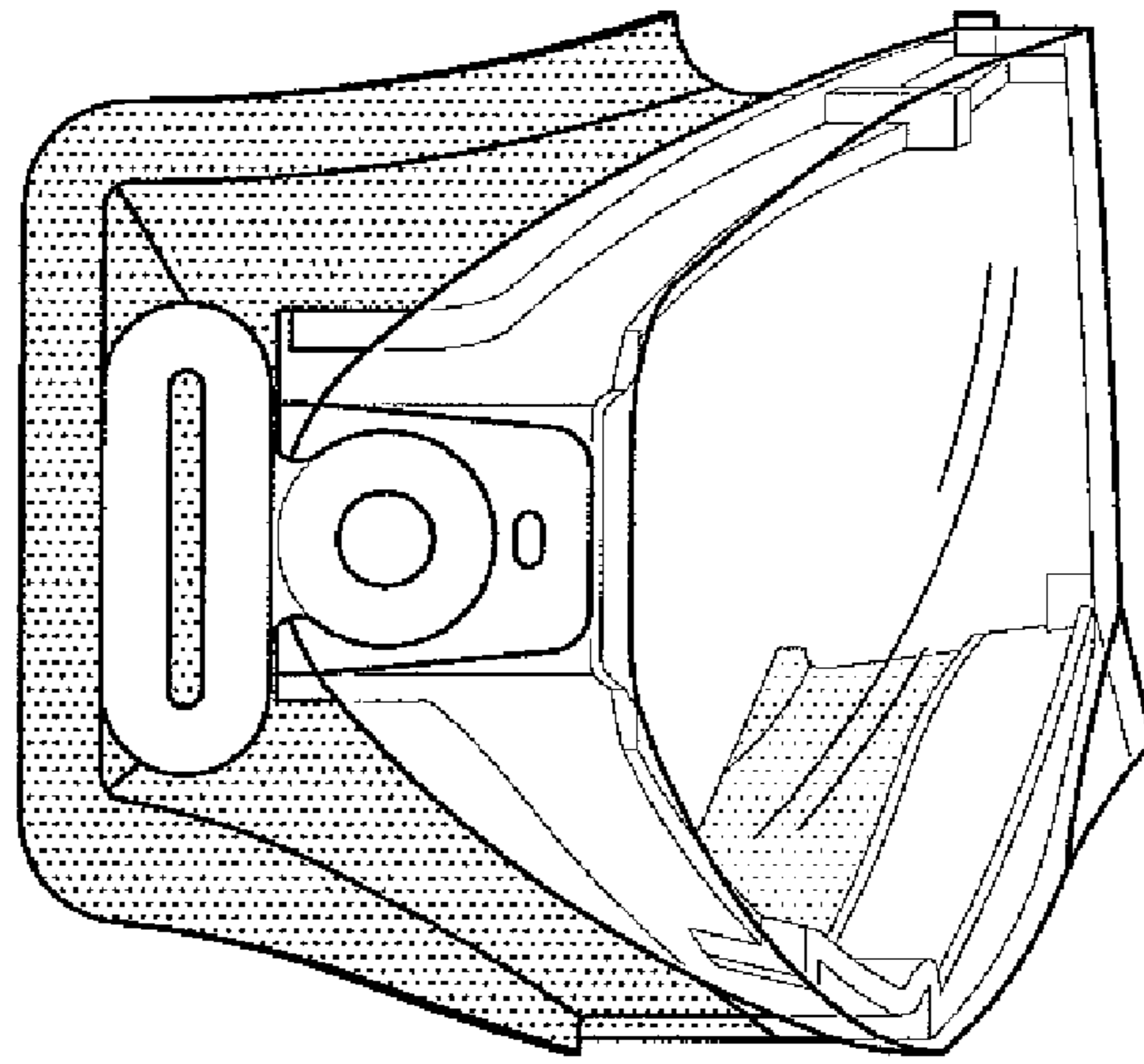


FIG. 4

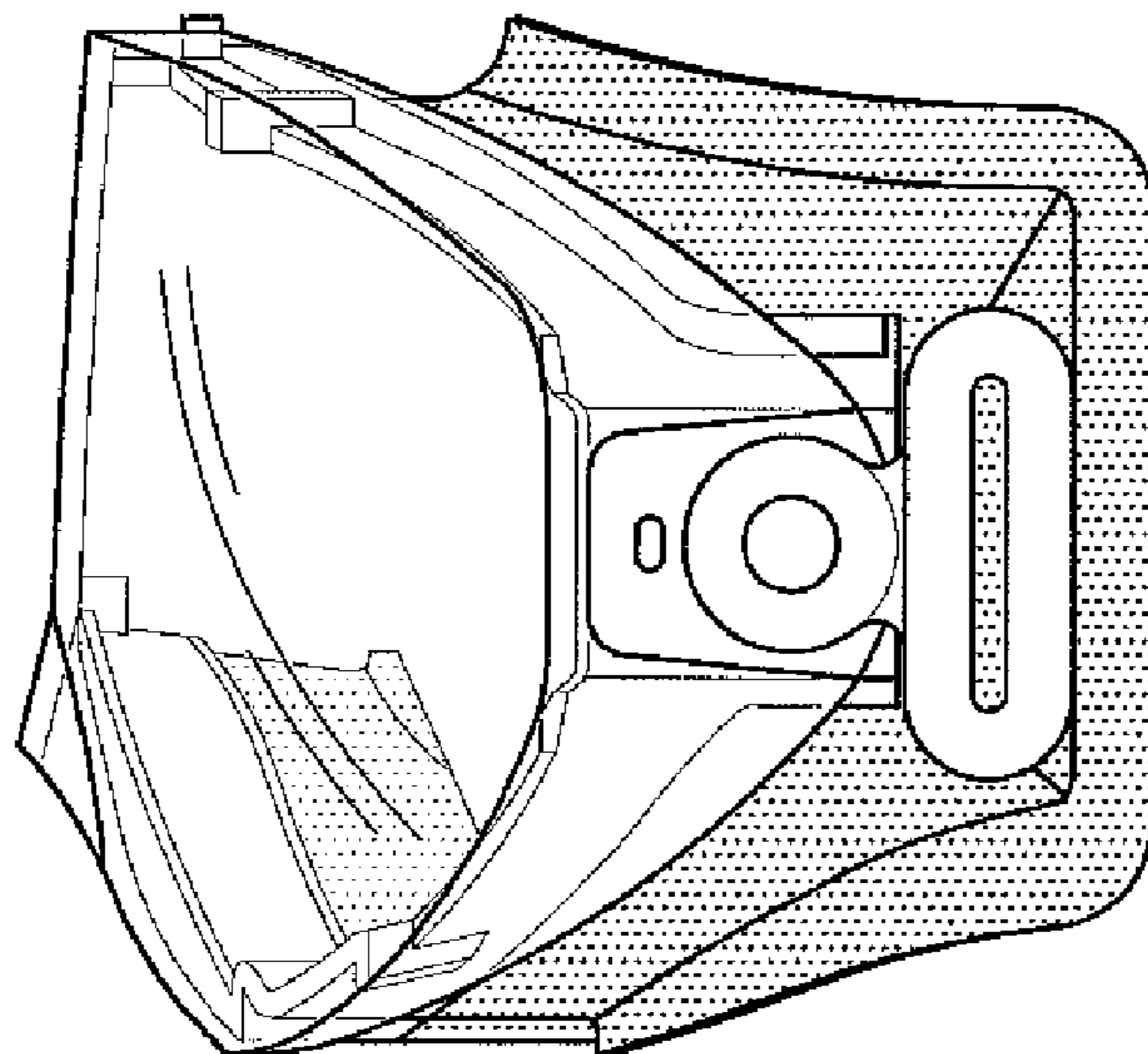


FIG. 5

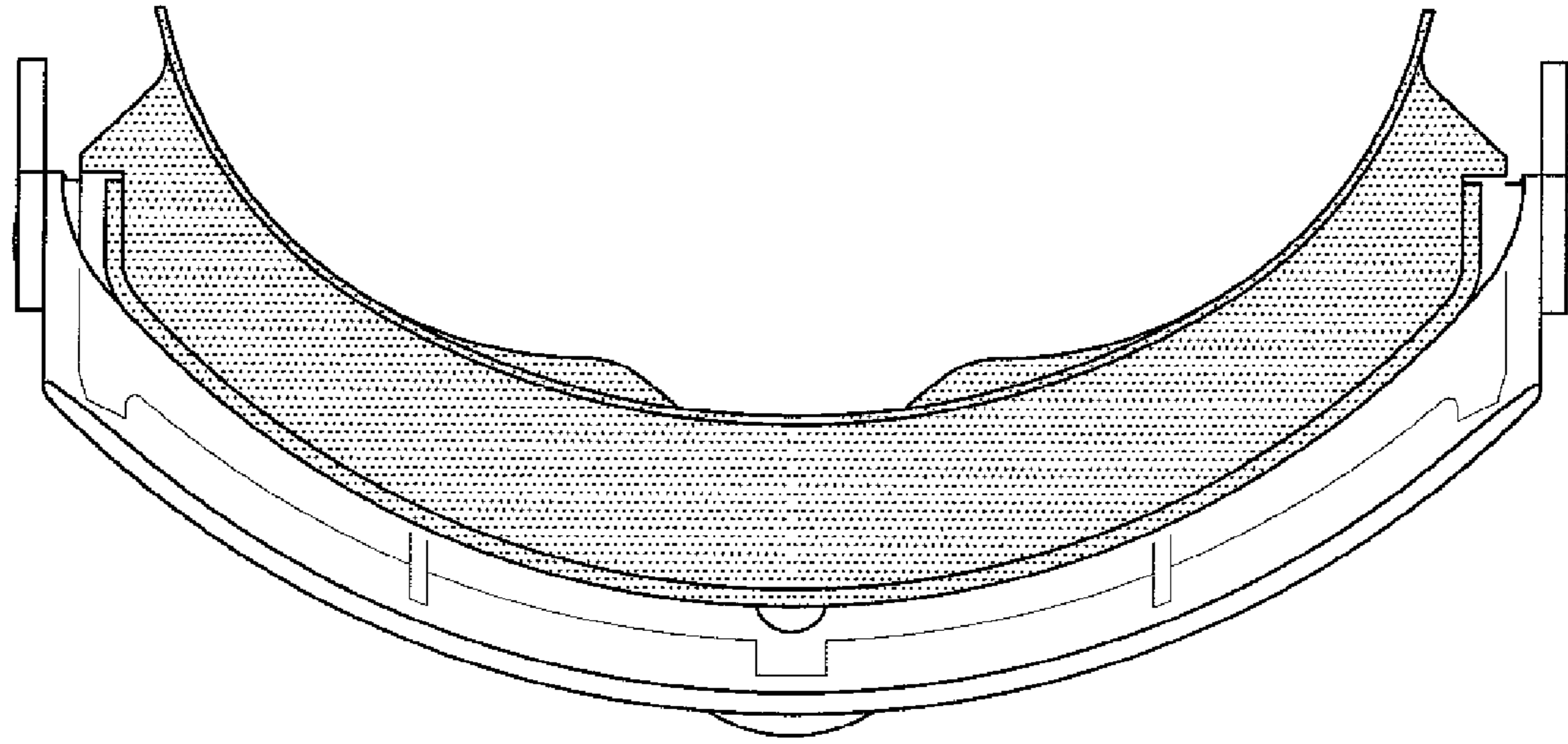


FIG. 6

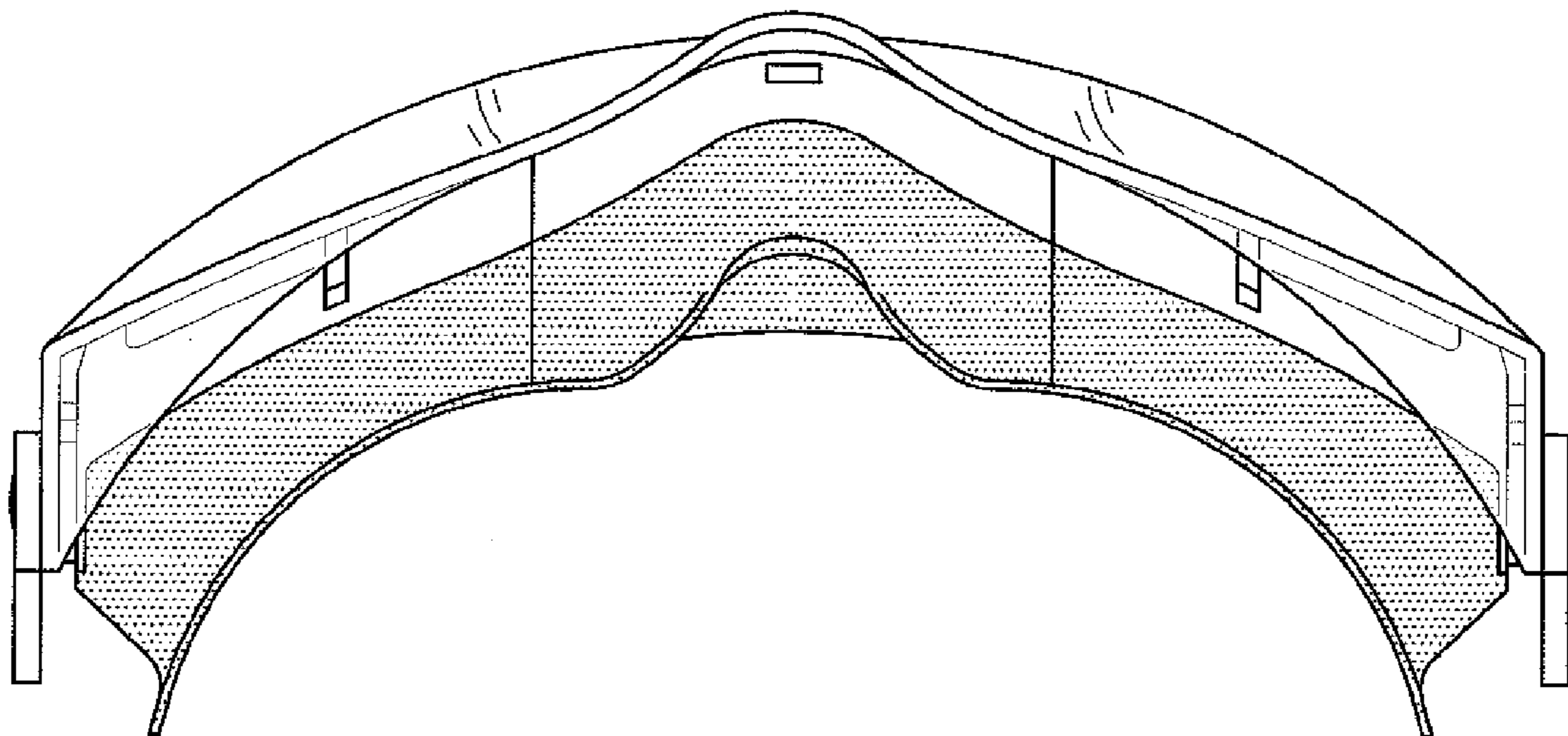


FIG. 7