



US00D556810S

(12) **United States Design Patent**
Miyauchi et al.

(10) **Patent No.:** **US D556,810 S**

(45) **Date of Patent:** **** Dec. 4, 2007**

(54) **PROJECTOR**

(75) Inventors: **Hiroto Miyauchi**, Matsumoto (JP);
Akira Hashimoto, Shiojiri (JP);
Hiroyuki Shindo, Matsumoto (JP)

(73) Assignee: **Seiko Epson Corporation**, Tokyo (JP)

(**) Term: **14 Years**

(21) Appl. No.: **29/247,106**

(22) Filed: **May 31, 2006**

(30) **Foreign Application Priority Data**

Feb. 7, 2006 (JP) 2006-002657

(51) **LOC (8) Cl.** **16-02**

(52) **U.S. Cl.** **D16/230; D16/221; D16/225**

(58) **Field of Classification Search** D16/205,
D16/208, 213, 221, 225, 230, 231, 234; D21/514;
349/5, 7, 8, 9, 58; 352/34, 242; 353/115,
353/119, 122

See application file for complete search history.

(56) **References Cited**

U.S. PATENT DOCUMENTS

D391,940 S * 3/1998 Sakata D16/213
D414,794 S * 10/1999 Isono D16/230
D428,619 S * 7/2000 Saeki et al. D16/230

D454,360 S * 3/2002 Shimizu et al. D16/230
D475,729 S * 6/2003 Shiota et al. D16/230
D479,551 S * 9/2003 Min et al. D16/230
D498,490 S * 11/2004 Kawasaki et al. D16/231
D506,771 S * 6/2005 Ooshima et al. D16/230

* cited by examiner

Primary Examiner—Ian Simmons

Assistant Examiner—W. Laymon

(74) *Attorney, Agent, or Firm*—Oliff & Berridge, PLC

(57) **CLAIM**

The ornamental design for a projector, as shown and described.

DESCRIPTION

FIG. 1 is a perspective view of a projector;

FIG. 2 is a front view thereof;

FIG. 3 is a rear view thereof;

FIG. 4 is a left side view thereof;

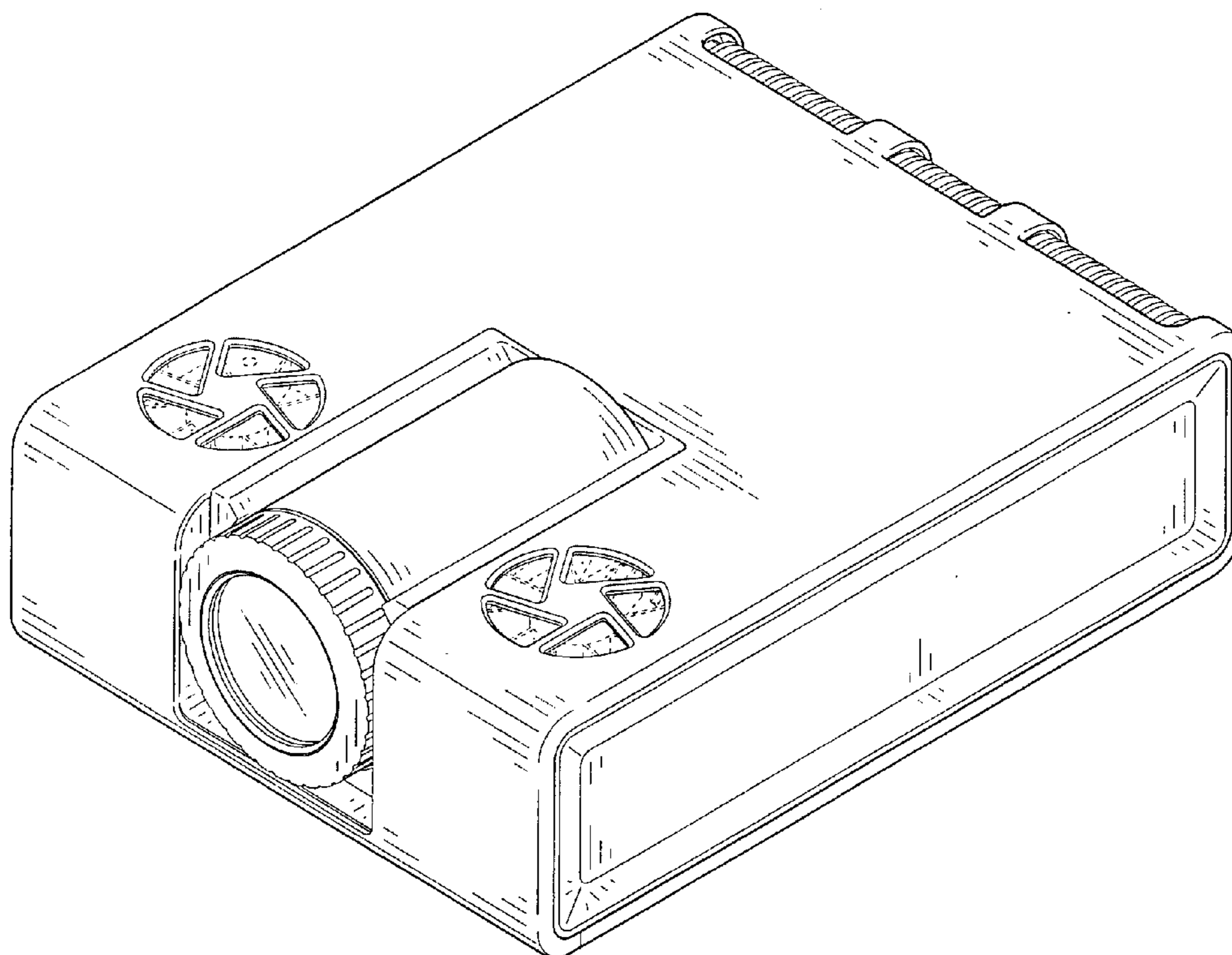
FIG. 5 is a right side view thereof;

FIG. 6 is a top view thereof; and,

FIG. 7 is a bottom view thereof.

The broken lines are for illustrative purposes only, and form no part of claimed design.

1 Claim, 5 Drawing Sheets



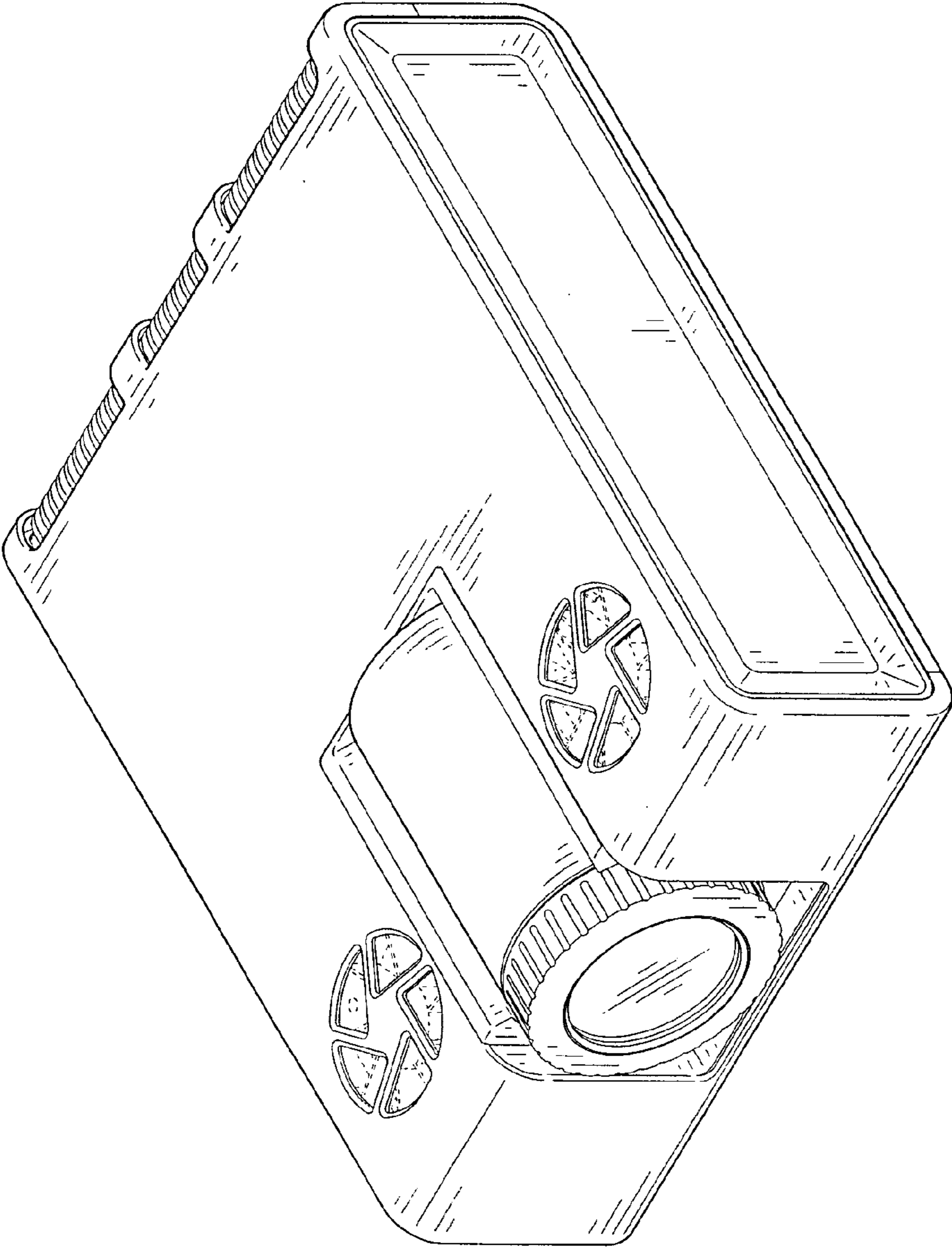


FIG. 1

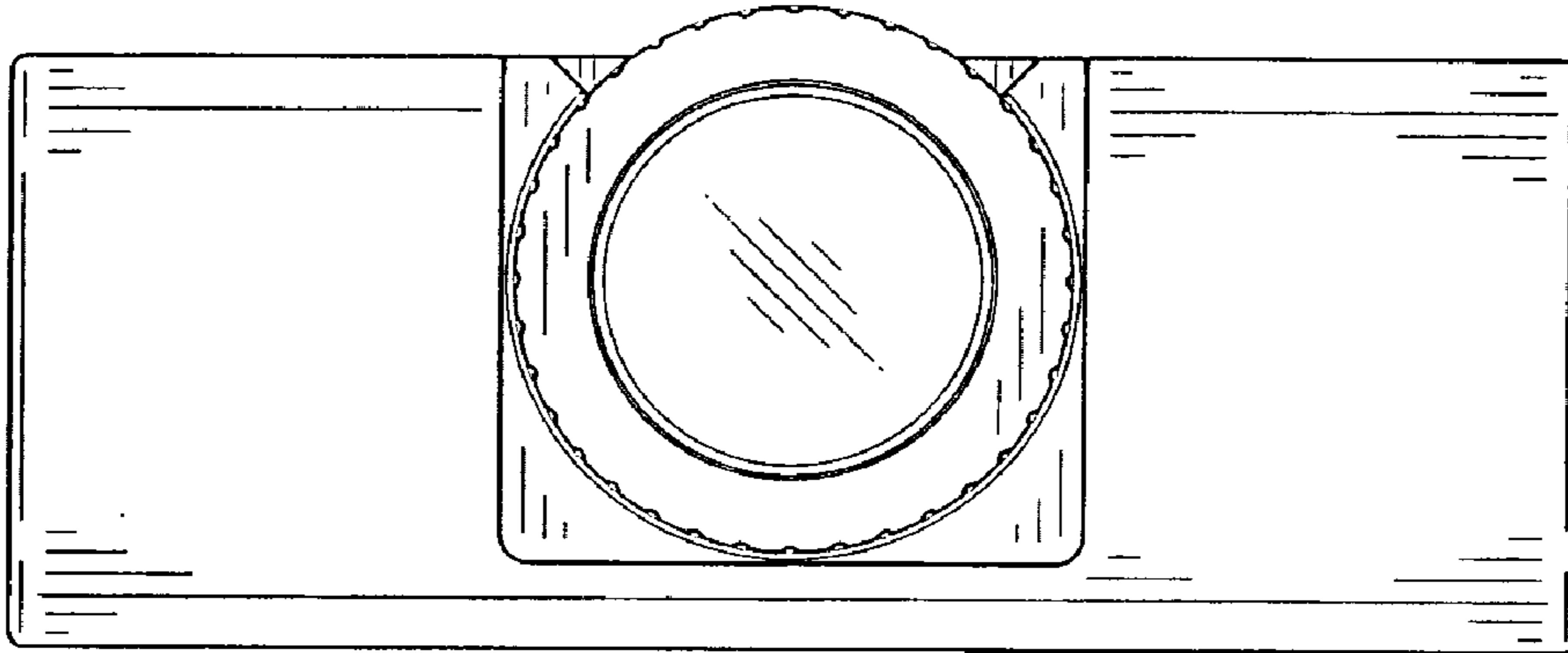


FIG. 2

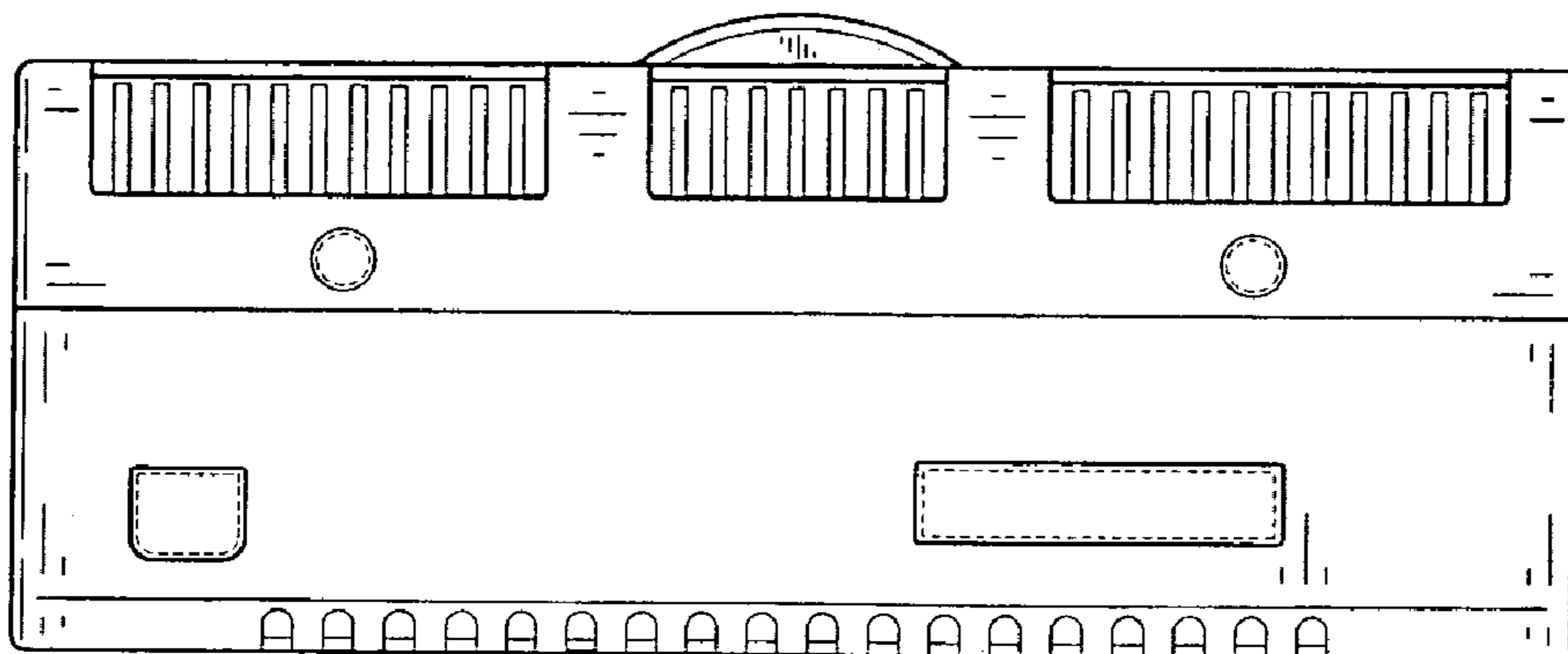


FIG. 3

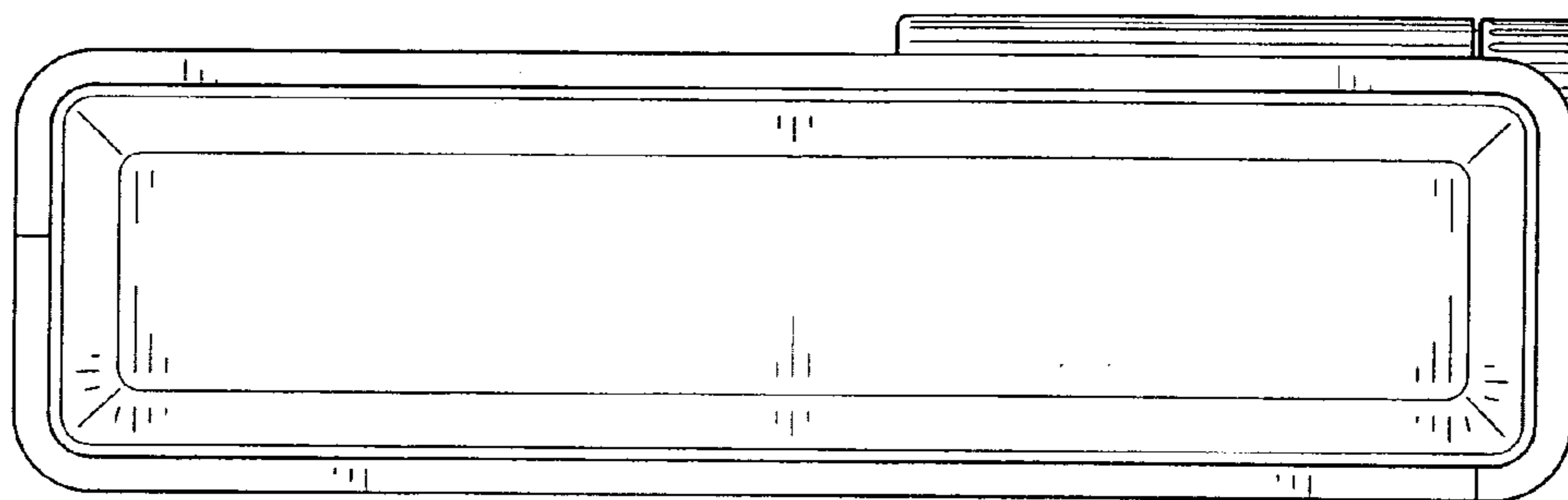


FIG. 4

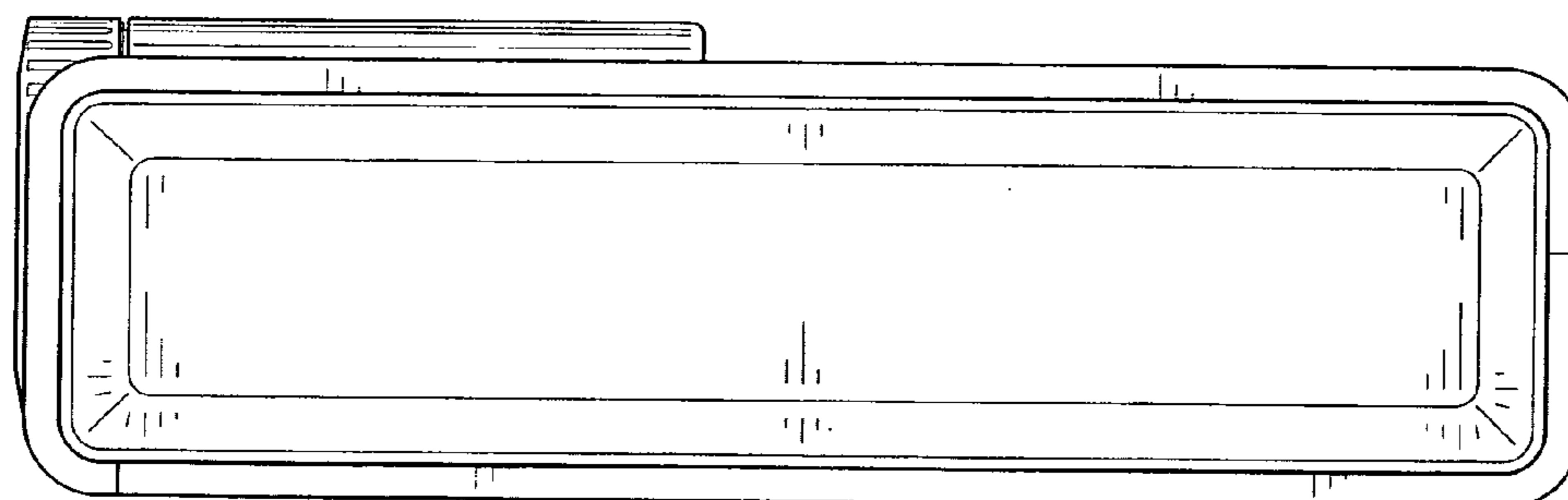


FIG. 5

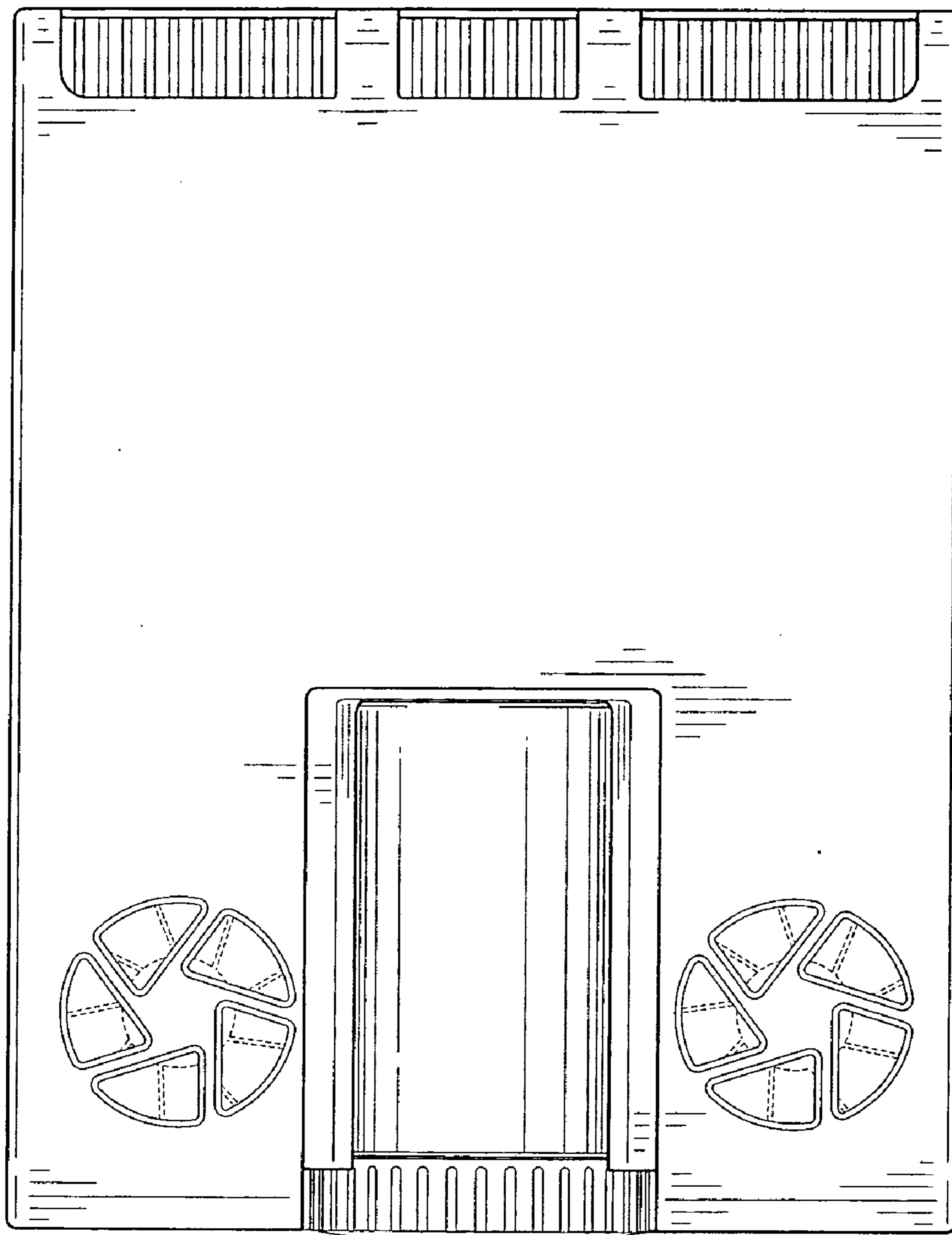


FIG. 6

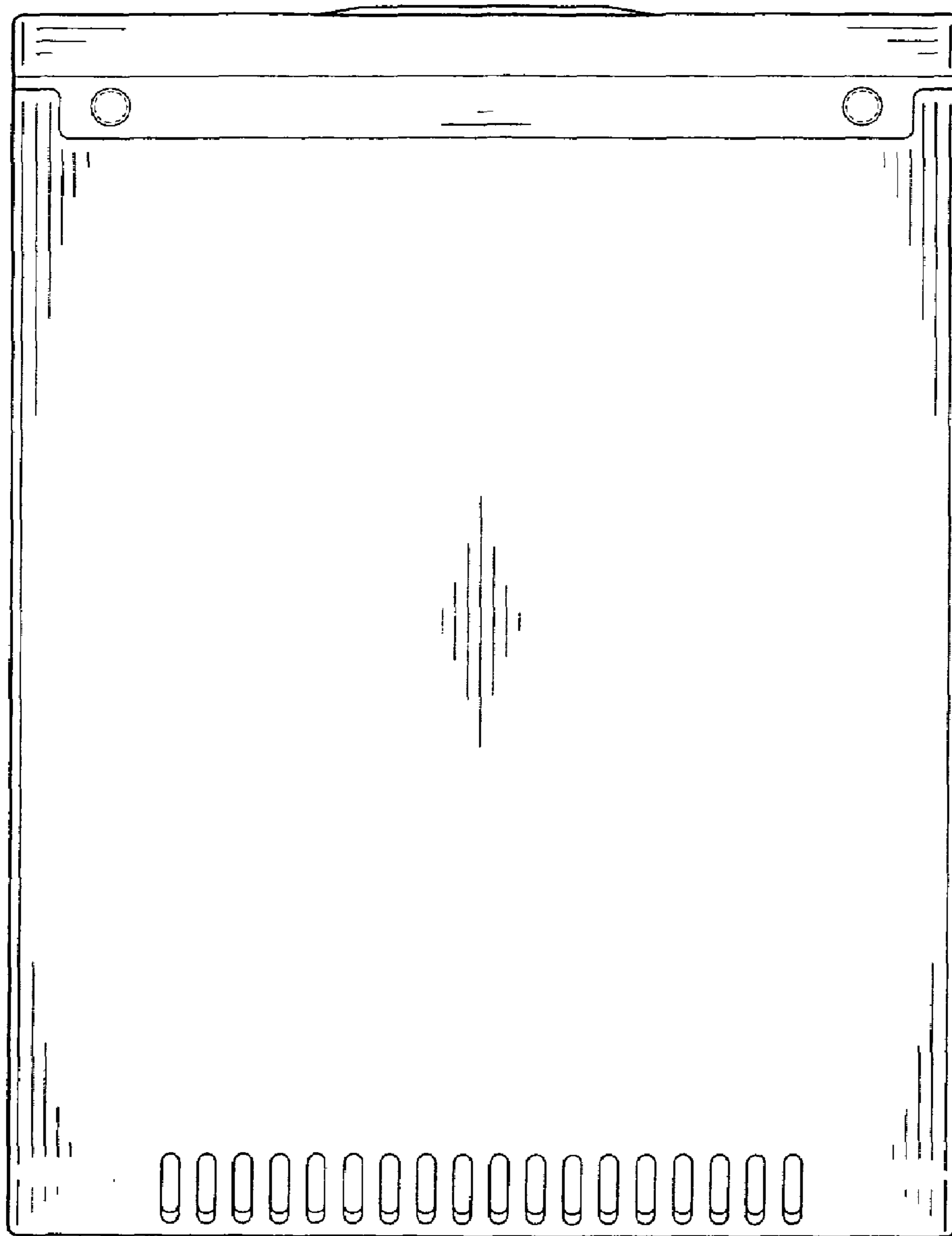


FIG. 7