



US00D556809S

(12) **United States Design Patent**  
**Hayashi**

(10) **Patent No.:** **US D556,809 S**  
(45) **Date of Patent:** **\*\* Dec. 4, 2007**

(54) **DIGITAL SINGLE-LENS REFLEX CAMERA**

D528,580 S \* 9/2006 Sumita ..... D16/206

(75) Inventor: **Tatsuyuki Hayashi**, Tokyo (JP)

FOREIGN PATENT DOCUMENTS  
JP 1242348 S 4/2005

(73) Assignee: **PENTAX Corporation**, Tokyo (JP)

OTHER PUBLICATIONS

(\*\*) Term: **14 Years**

U.S. Appl. No. 29/262,578, filed Jul. 7, 2006, Pentax Corporation.  
\* cited by examiner

(21) Appl. No.: **29/262,577**

*Primary Examiner*—Ian Simmons  
*Assistant Examiner*—Wan Laymon  
(74) *Attorney, Agent, or Firm*—Sughrue Mion, PLLC

(22) Filed: **Jul. 7, 2006**

(30) **Foreign Application Priority Data**

Jan. 10, 2006 (JP) ..... 2006-000176

(57) **CLAIM**

(51) **LOC (8) Cl.** ..... **16-05**

The ornamental design for a digital single-lens reflex camera, as shown and described.

(52) **U.S. Cl.** ..... **D16/219; D16/202; D16/217**

(58) **Field of Classification Search** ..... D16/200–206,  
D16/208, 216–219; 348/143, 151, 373–376;  
358/906, 909.1; 396/177, 354, 535–541,  
396/25–29, 427, 433

**DESCRIPTION**

See application file for complete search history.

FIG. 1 is a perspective view of the top, front and right side of a digital single-lens reflex camera showing my new design;

FIG. 2 is a front elevational view thereof;

FIG. 3 is a rear elevational view thereof;

FIG. 4 is a right side elevational view thereof;

FIG. 5 is a left side elevational view thereof;

FIG. 6 is a top plan view thereof; and,

FIG. 7 is a bottom plan view thereof.

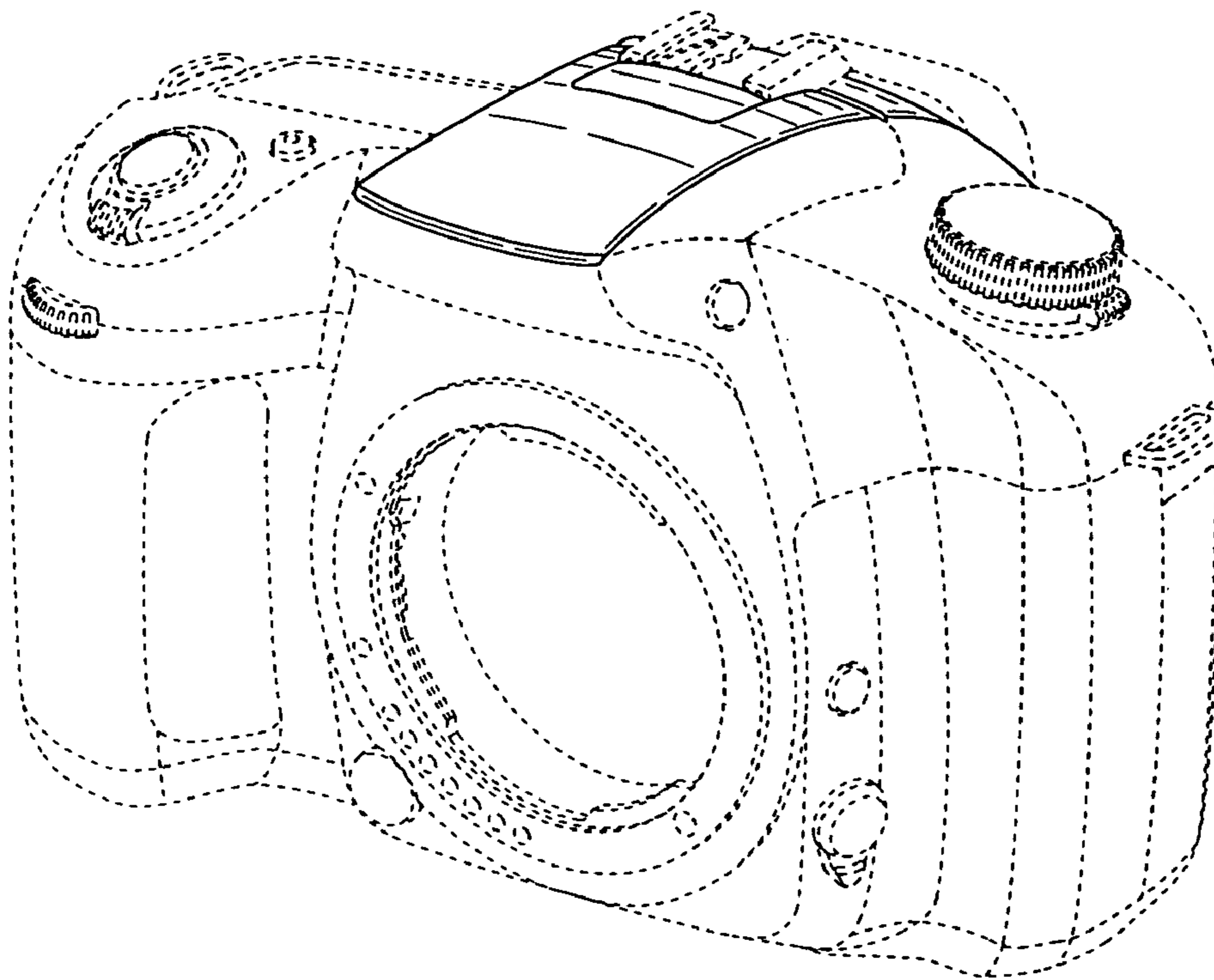
The portions shown in broken lines are for illustrative purposes only and form no part of the claimed design.

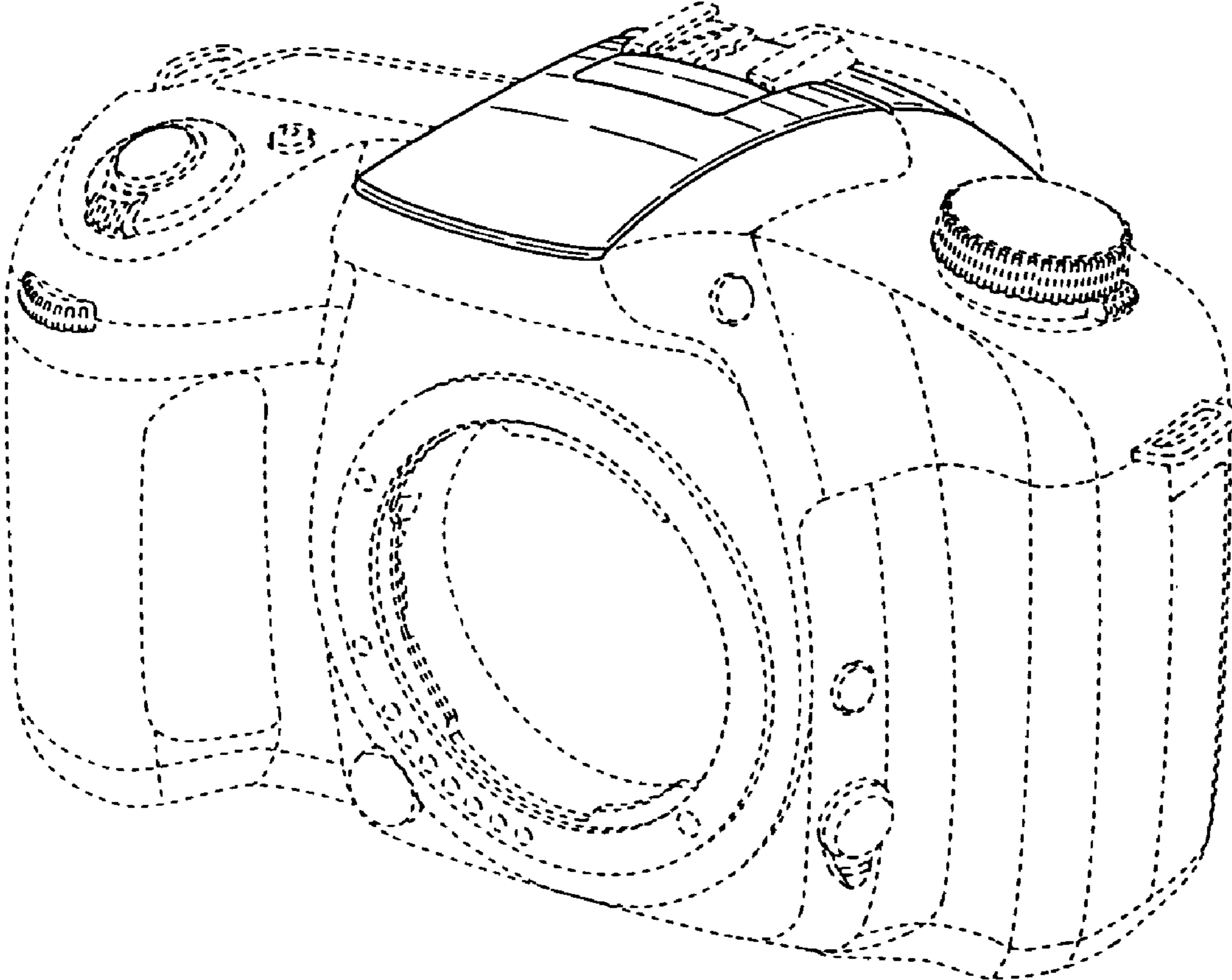
(56) **References Cited**

**U.S. PATENT DOCUMENTS**

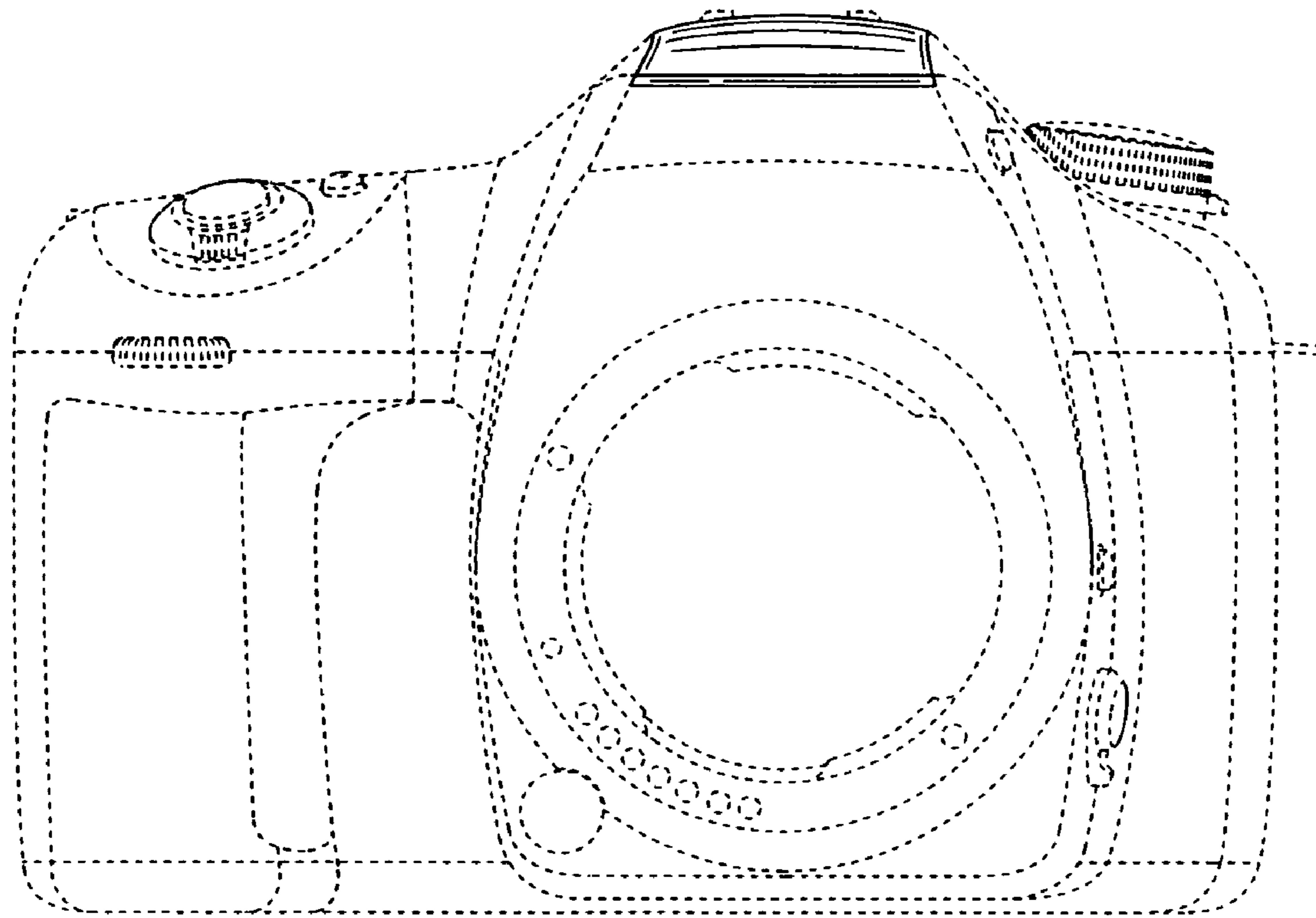
- D388,110 S \* 12/1997 Watarai et al. .... D16/217
- D433,435 S \* 11/2000 Hamamura ..... D16/219
- D481,052 S \* 10/2003 Ogura ..... D16/202
- D491,597 S \* 6/2004 Haga ..... D16/219
- D515,606 S \* 2/2006 Nakamura ..... D16/202
- D524,346 S 7/2006 Haga

**1 Claim, 7 Drawing Sheets**

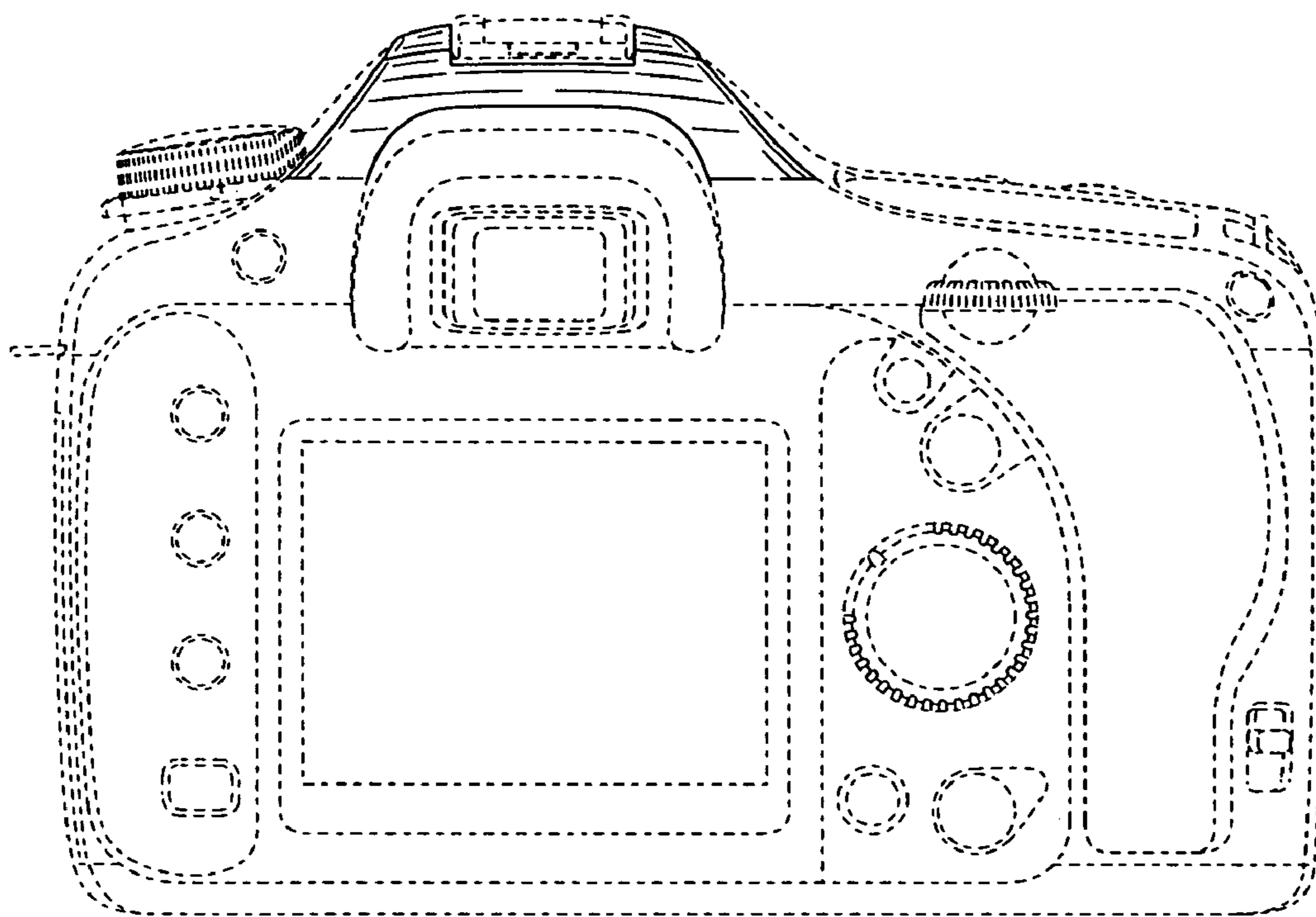




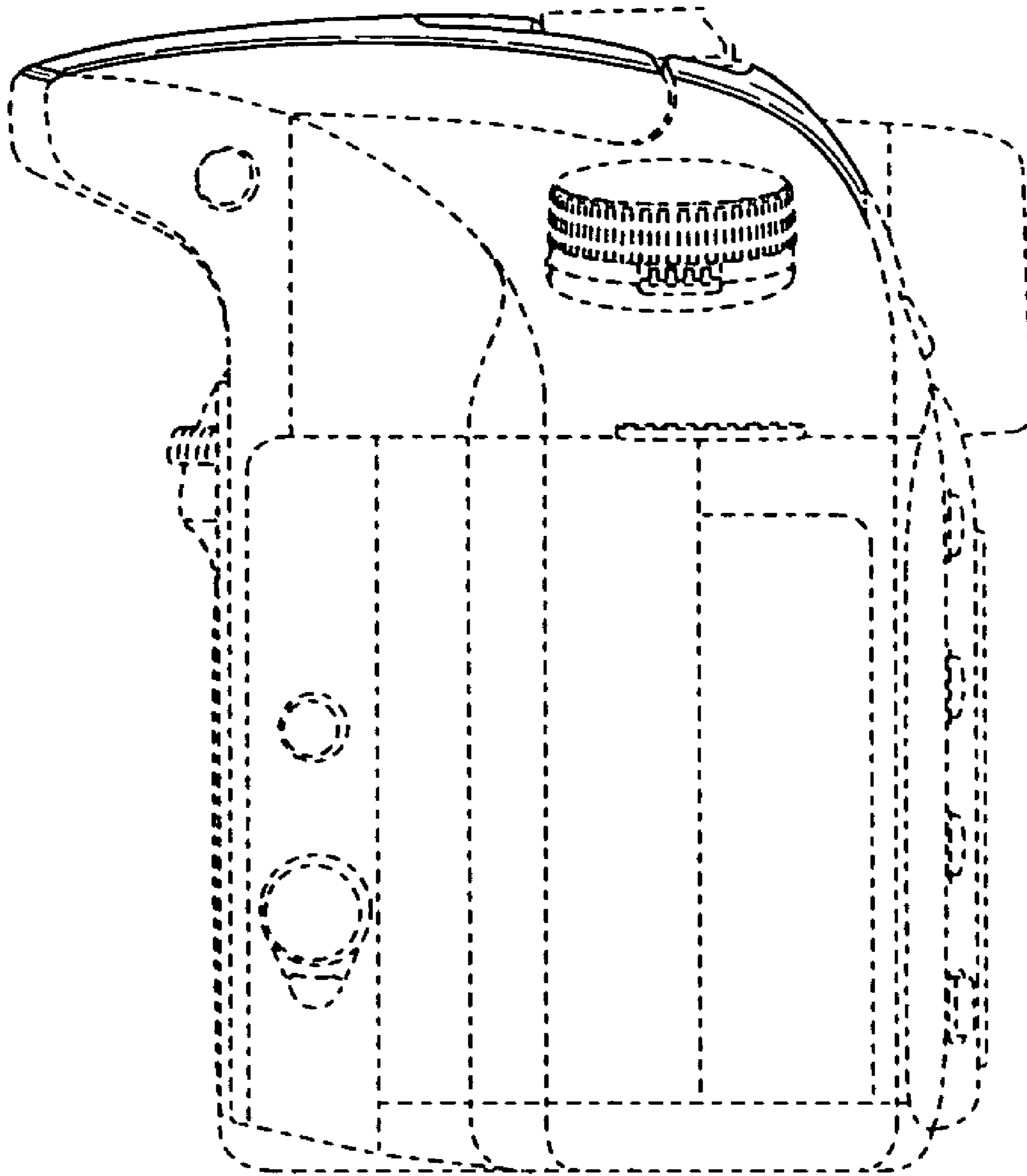
*FIG. 1*



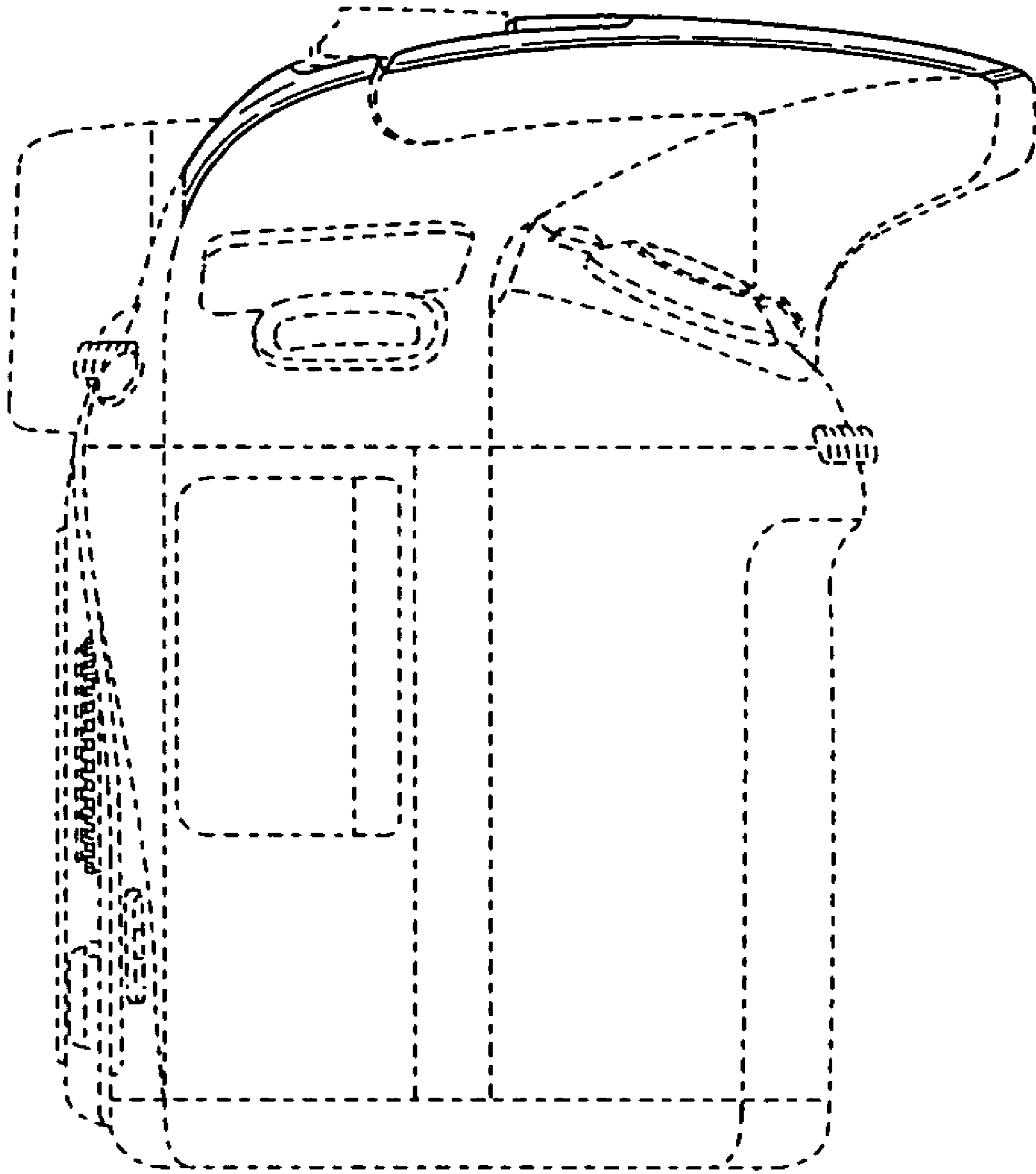
*FIG. 2*



*FIG. 3*

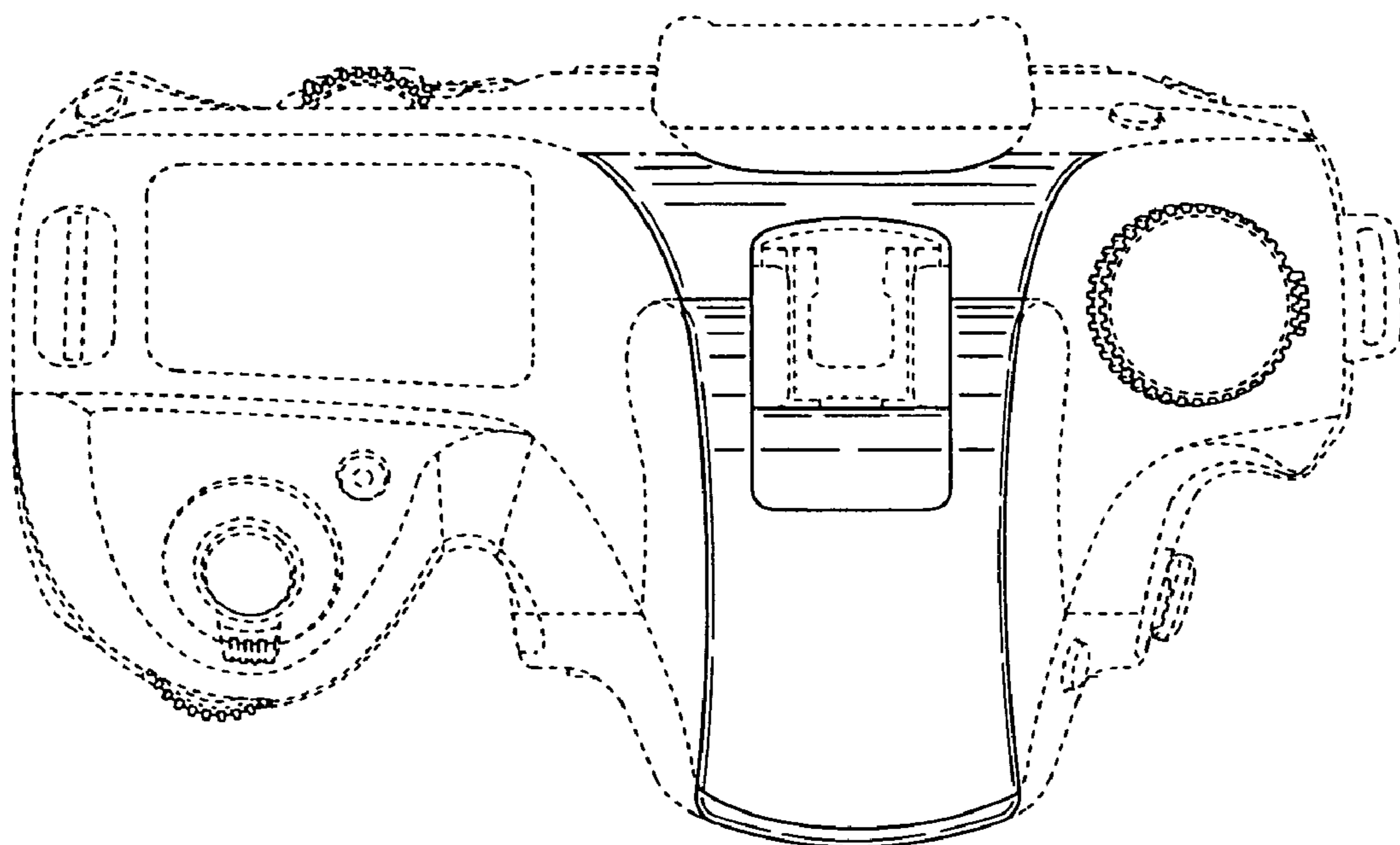


**FIG. 4**

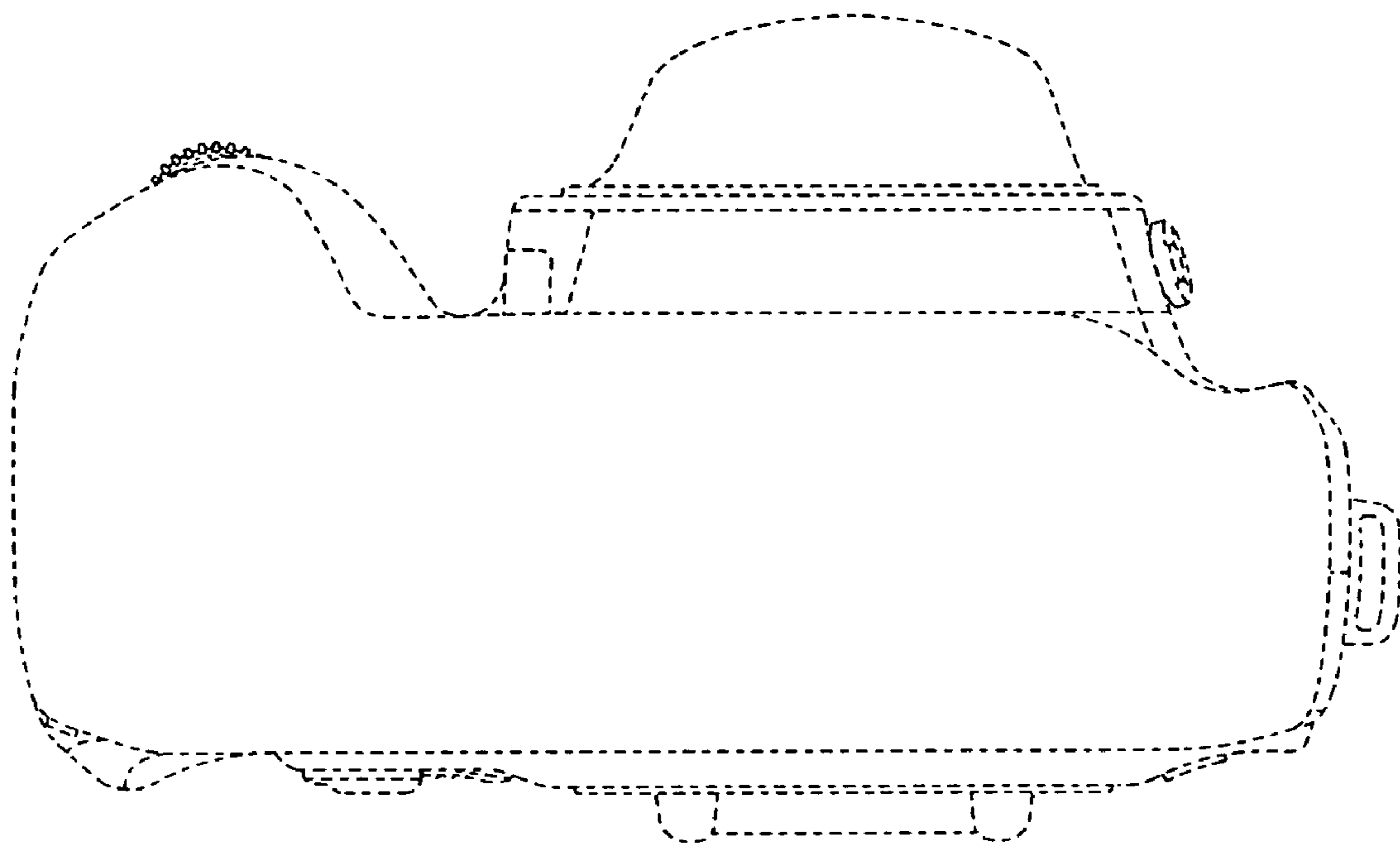


**FIG. 5**





*FIG. 6*



*FIG. 7*