



US00D556808S

(12) **United States Design Patent**
Hayamizu

(10) **Patent No.:** **US D556,808 S**

(45) **Date of Patent:** **** Dec. 4, 2007**

(54) **DIGITAL CAMERA**

D523,458 S * 6/2006 Watanabe D16/219
D536,013 S * 1/2007 Hamamura D16/219

(75) Inventor: **Eiji Hayamizu**, Tokyo (JP)

* cited by examiner

(73) Assignee: **PENTAX Corporation**, Tokyo (JP)

Primary Examiner—Adir Aronovich

(**) Term: **14 Years**

(74) *Attorney, Agent, or Firm*—Sughrue Mion, PLLC

(21) Appl. No.: **29/262,030**

(57) **CLAIM**

(22) Filed: **Jun. 26, 2006**

The ornamental design for a digital camera, as shown and described.

(30) **Foreign Application Priority Data**

Dec. 27, 2005 (JP) 2005-038164

DESCRIPTION

(51) **LOC (8) Cl.** **16-01**

FIG. 1 is a perspective view of the top, front and left side of a digital camera showing my new design;

(52) **U.S. Cl.** **D16/219**

FIG. 2 is a top plan view thereof;

(58) **Field of Classification Search** D16/134,

FIG. 3 is a front elevational view thereof;

D16/136, 200–204, 208, 218, 219; 348/373–376;

FIG. 4 is a left side elevational view thereof;

358/906; 396/535–541

FIG. 5 is a right side elevational view thereof;

See application file for complete search history.

FIG. 6 is a rear elevational view thereof; and,

FIG. 7 is a bottom plan view thereof.

(56) **References Cited**

The portions shown in broken lines are for illustrative purposes only and form no part of the claimed design.

U.S. PATENT DOCUMENTS

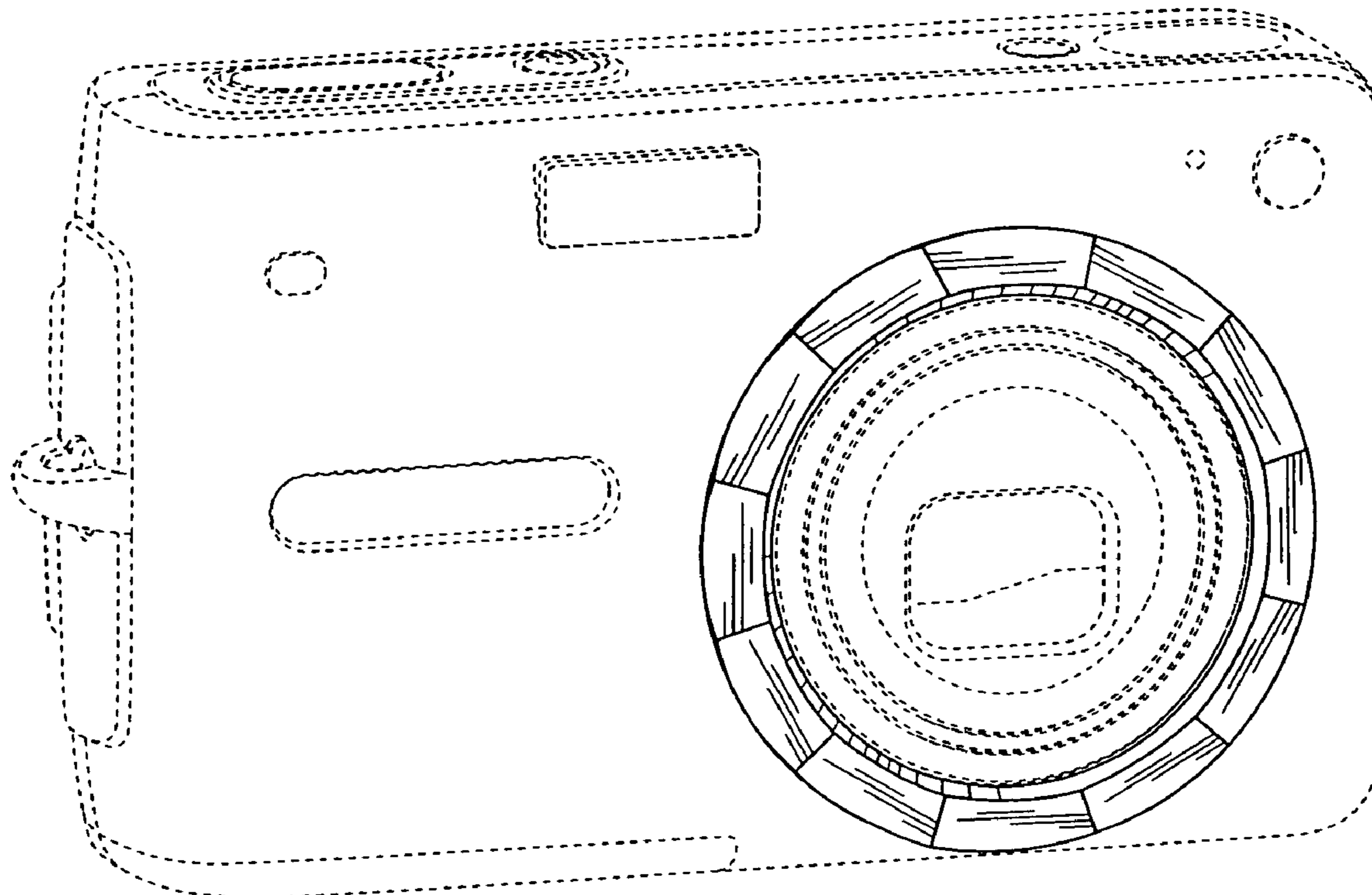
D465,505 S * 11/2002 Nasu D16/219

D478,110 S * 8/2003 Nasu D16/219

D490,833 S * 6/2004 Sakaguchi et al. D16/202

D521,038 S * 5/2006 Takagi D16/202

1 Claim, 4 Drawing Sheets



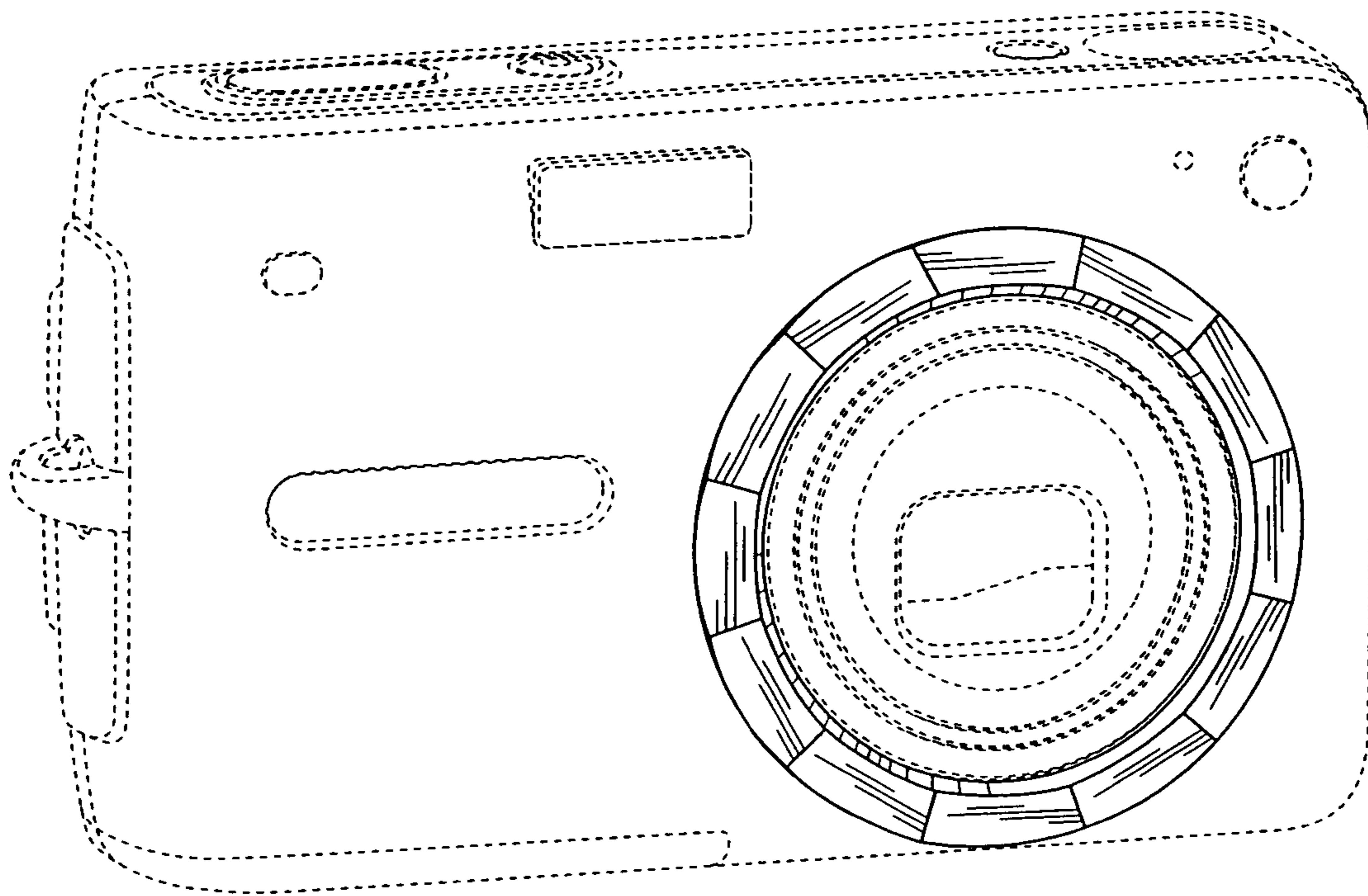


FIG. 1

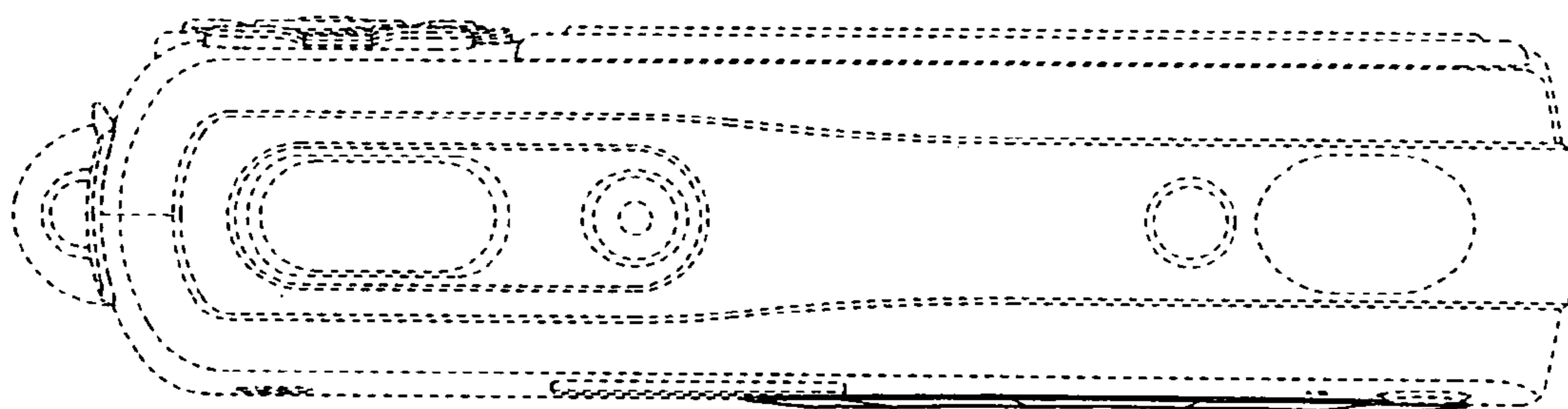


FIG. 2

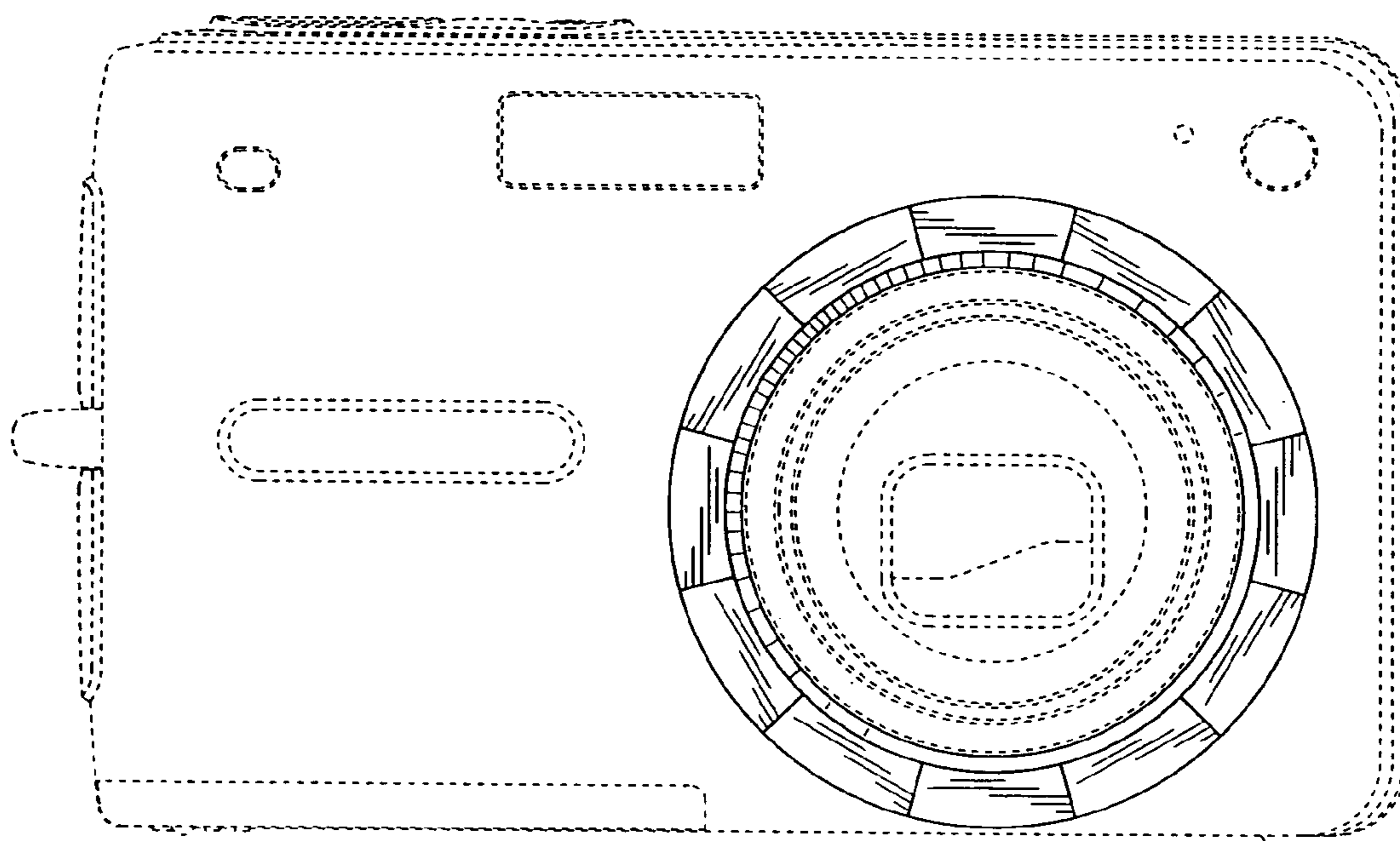


FIG. 3

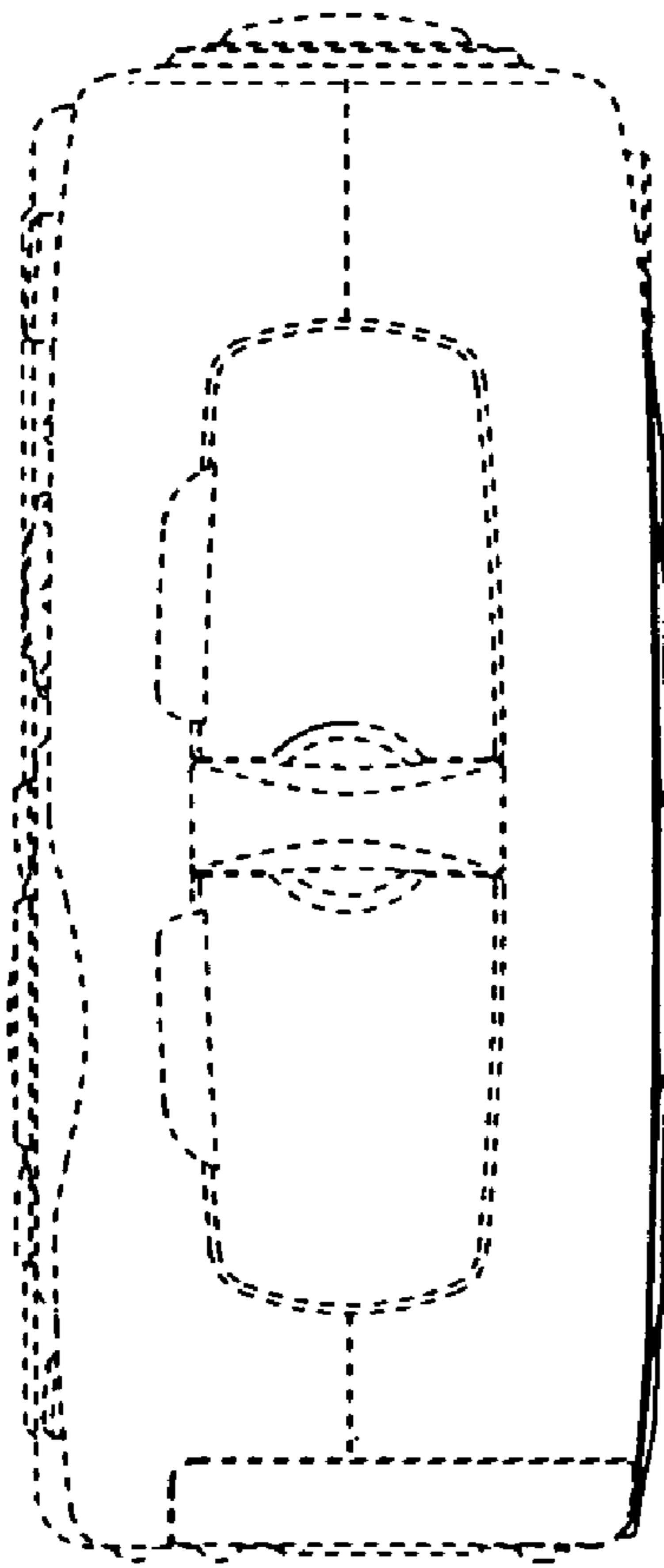


FIG. 4

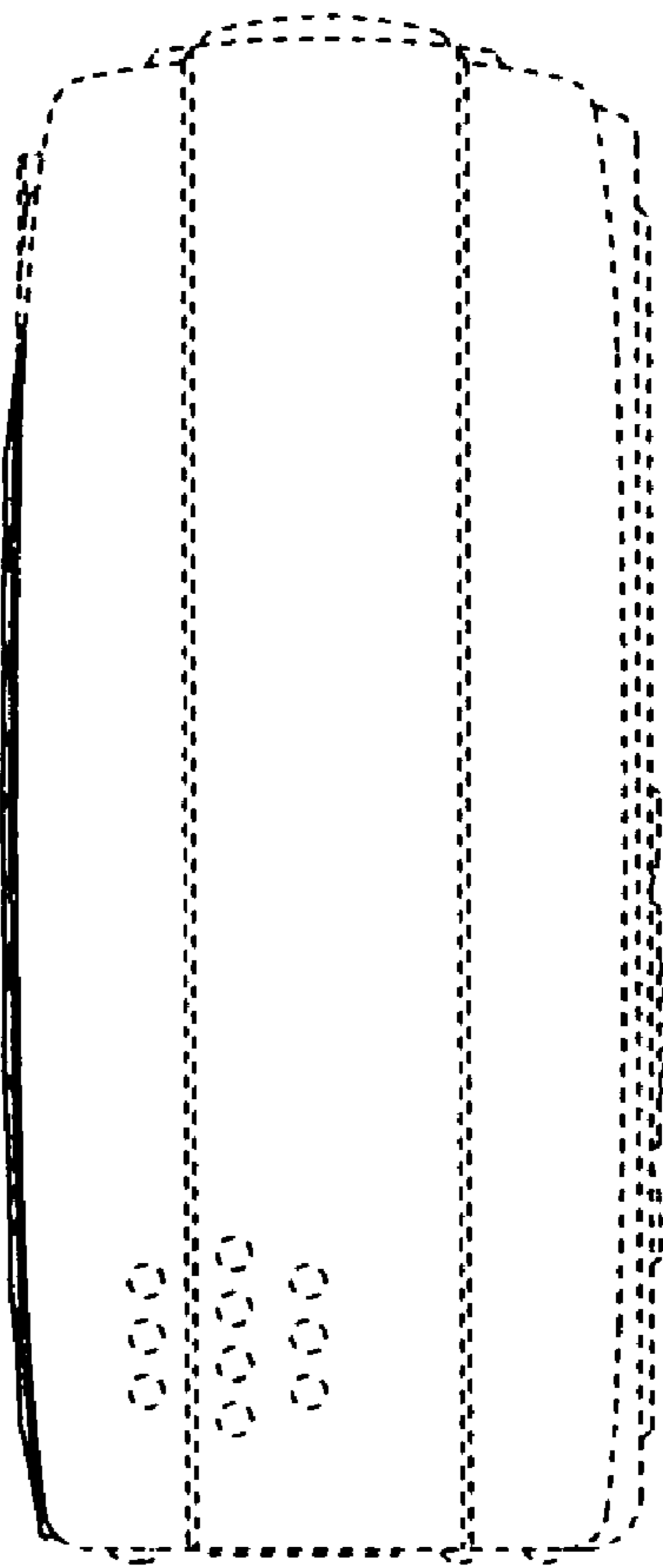


FIG. 5

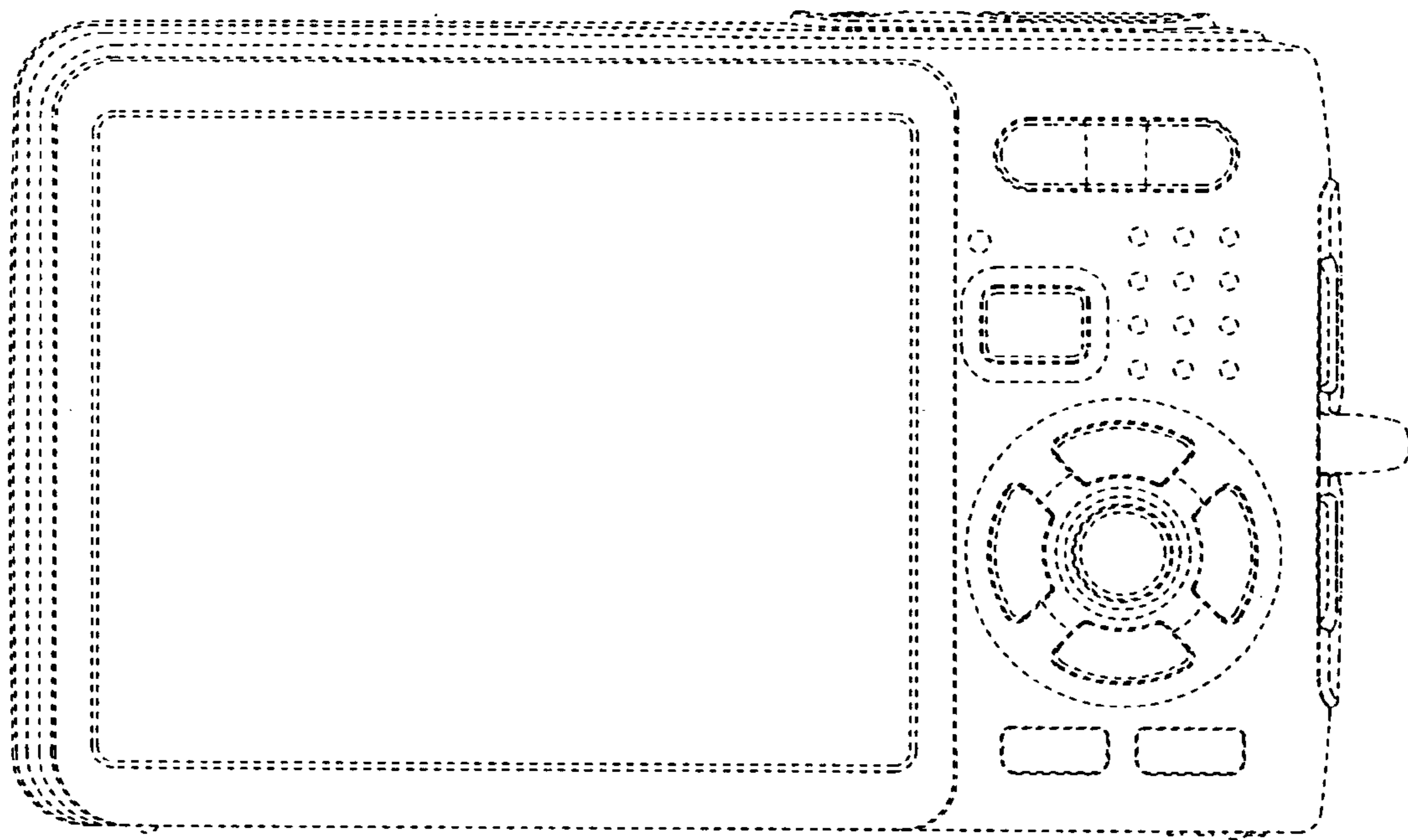


FIG. 6

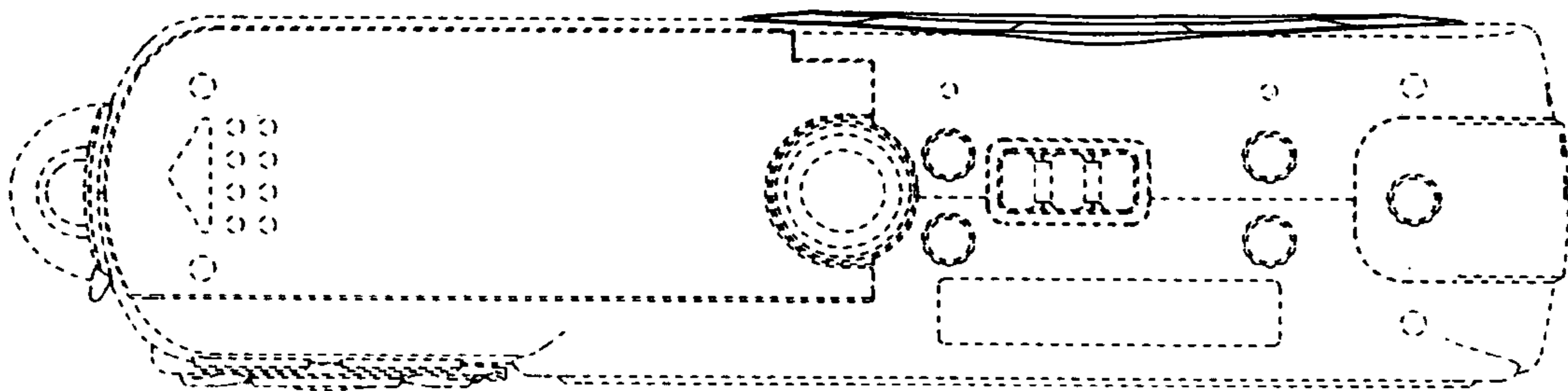


FIG. 7