



US00D556807S

(12) **United States Design Patent** (10) **Patent No.:** **US D556,807 S**
Senda (45) **Date of Patent:** **** Dec. 4, 2007**

(54) **ELECTRONIC CAMERA**

D540,365 S * 4/2007 Sakai D16/219

(75) Inventor: **Yutaka Senda**, Tokyo (JP)

* cited by examiner

(73) Assignee: **Fujifilm Corporation**, Tokyo (JP)

Primary Examiner—Adir Aronovich

(74) *Attorney, Agent, or Firm*—Young & Thompson

(**) Term: **14 Years**

(57) **CLAIM**

(21) Appl. No.: **29/259,720**

The ornamental design for an electronic camera, as shown and described.

(22) Filed: **May 16, 2006**

DESCRIPTION

(30) **Foreign Application Priority Data**

Nov. 17, 2005 (JP) 2005-033938

FIG. 1 is a top, front and side perspective view of an electronic camera showing my new design;

FIG. 2 is a front elevational view thereof;

(51) **LOC (8) Cl.** **16-05**

FIG. 3 is a top plan view thereof;

(52) **U.S. Cl.** **D16/219; D16/202**

FIG. 4 is a bottom plan view thereof;

(58) **Field of Classification Search** D16/200–204,
D16/208, 209, 218, 219; 348/373–376; 358/909.1;
396/6, 535, 536–541

FIG. 5 is a side elevational view thereof from the left of FIG. 2;

See application file for complete search history.

FIG. 6 is a side elevational view thereof from the right of FIG. 2; and,

(56) **References Cited**

FIG. 7 is a view similar to FIG. 1, but with the parts in a different position.

U.S. PATENT DOCUMENTS

- D473,886 S * 4/2003 Katayama D16/202
- D503,184 S * 3/2005 Horikiri D16/219
- D524,344 S * 7/2006 Imai D16/202
- D525,275 S * 7/2006 Nagayama et al. D16/219
- D532,028 S * 11/2006 Sakai D16/202

The portions of the camera in broken lines are shown to illustrate environment only and form no part of the claimed design.

1 Claim, 4 Drawing Sheets

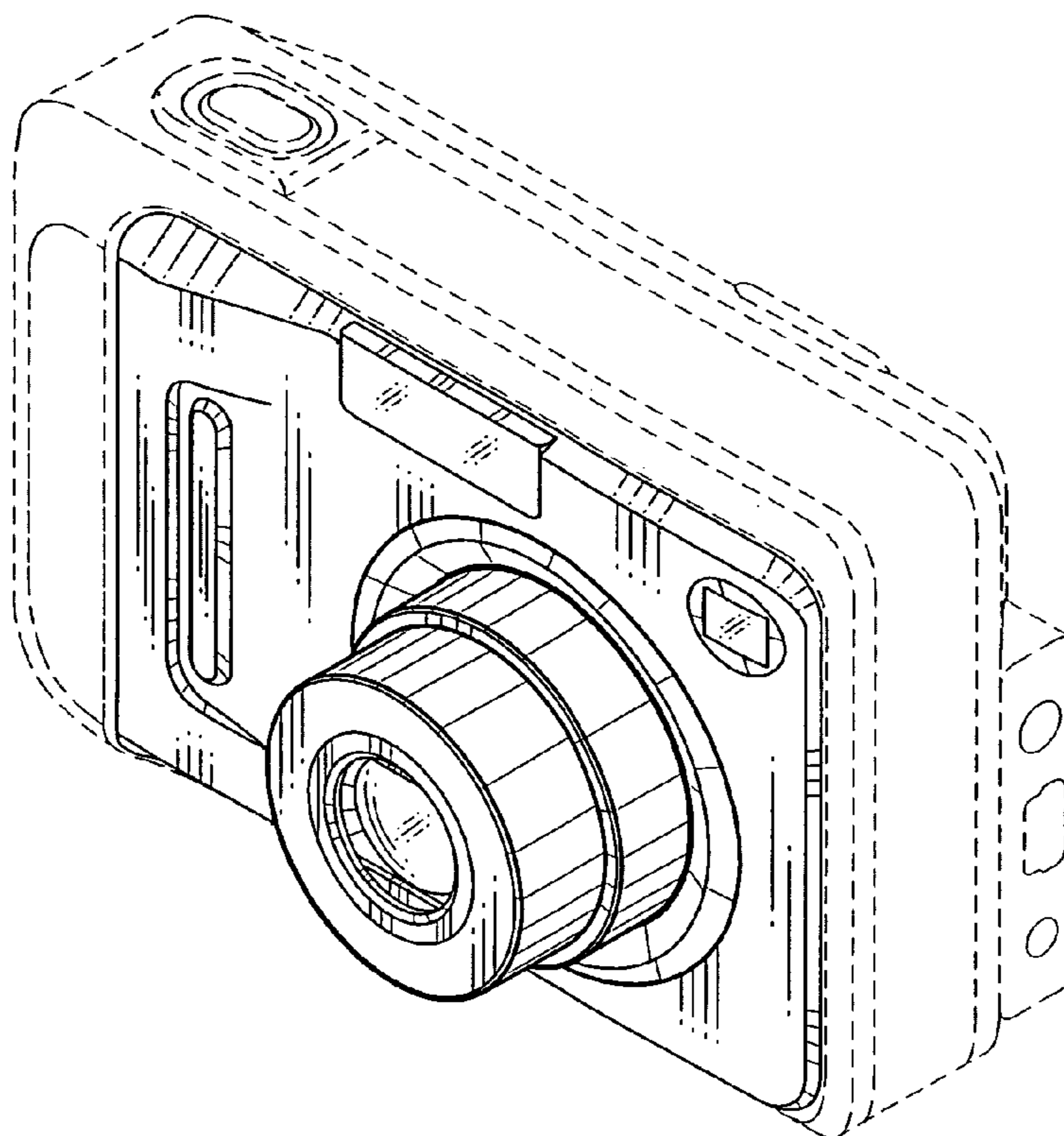


FIG.1

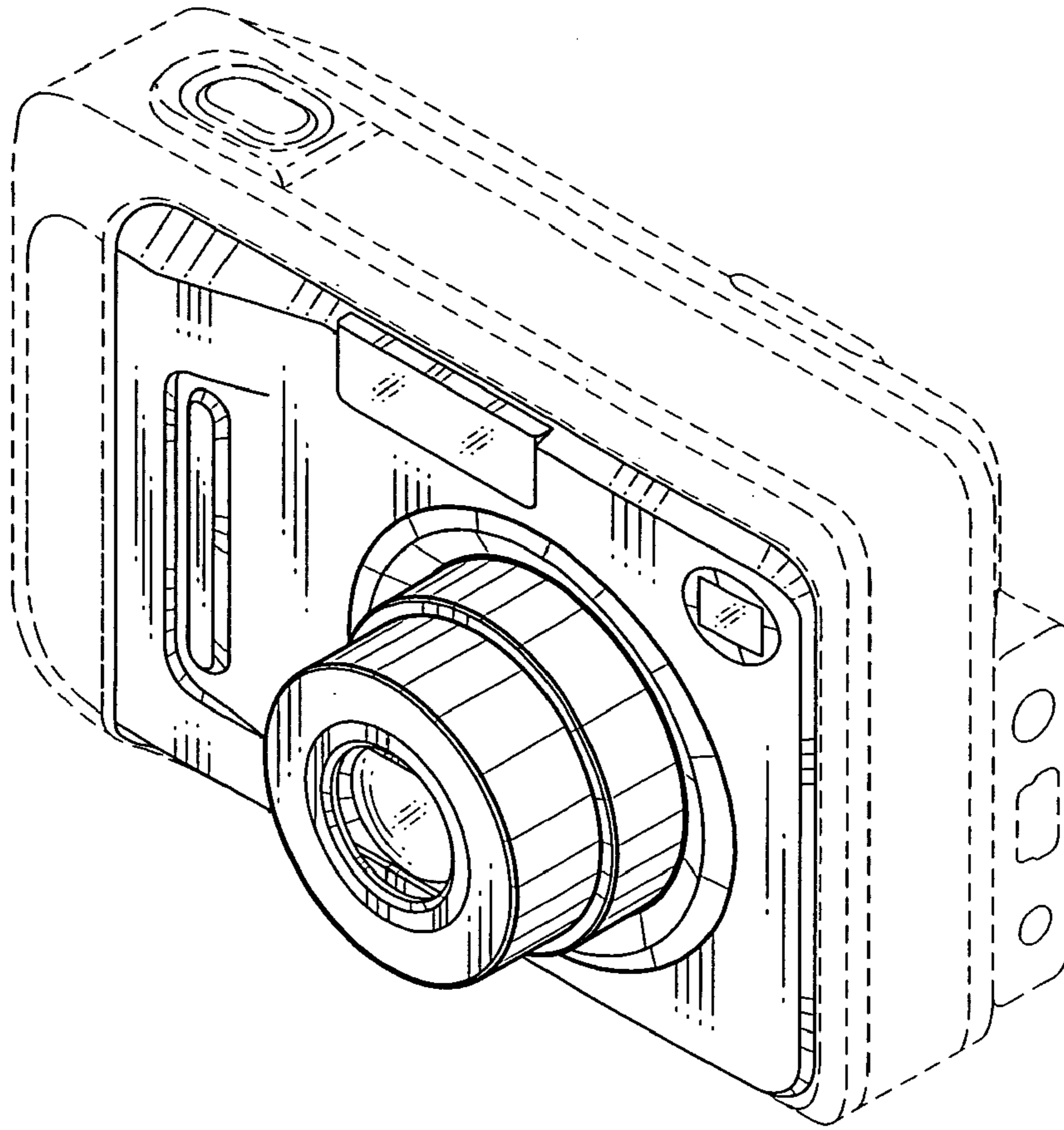


FIG.2

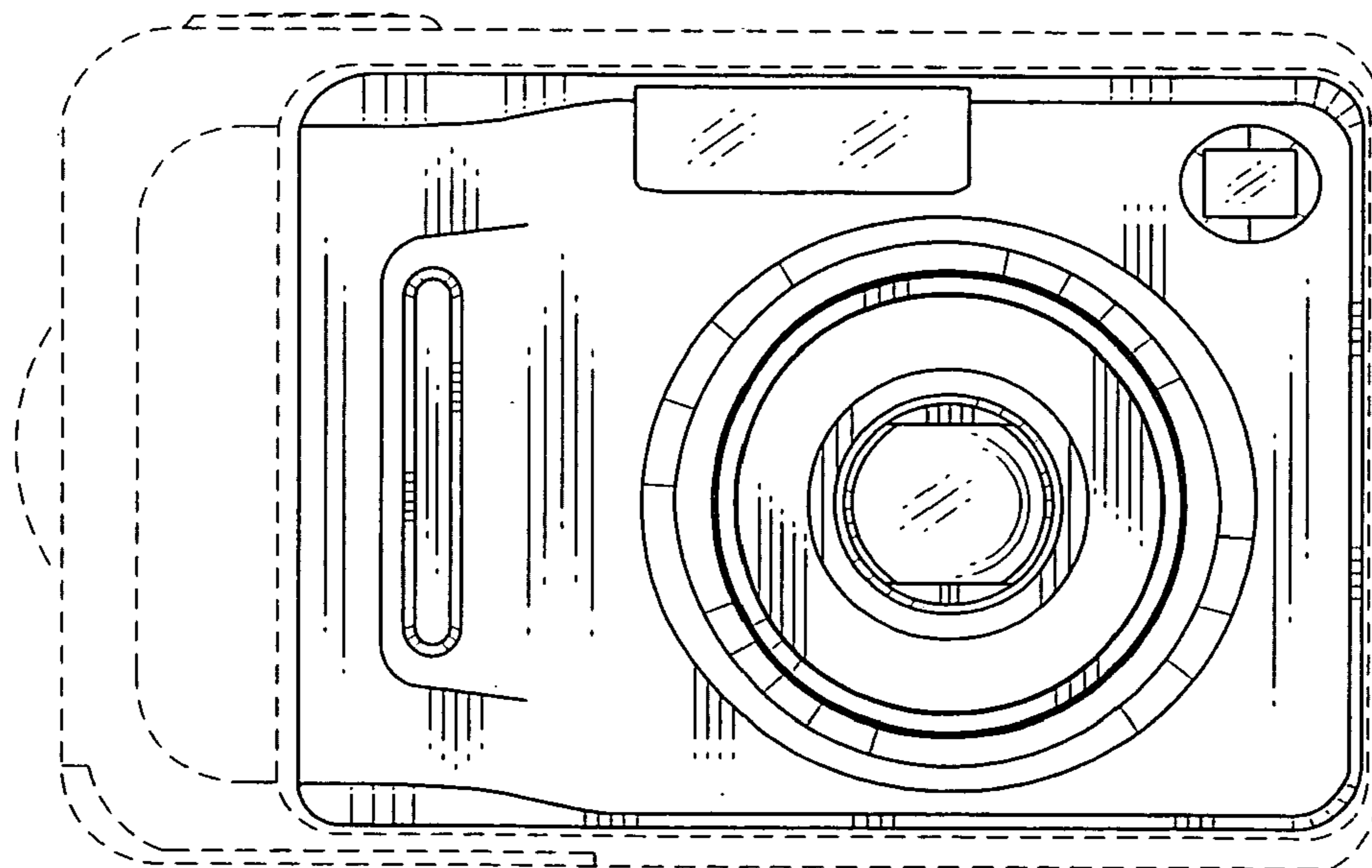


FIG.3

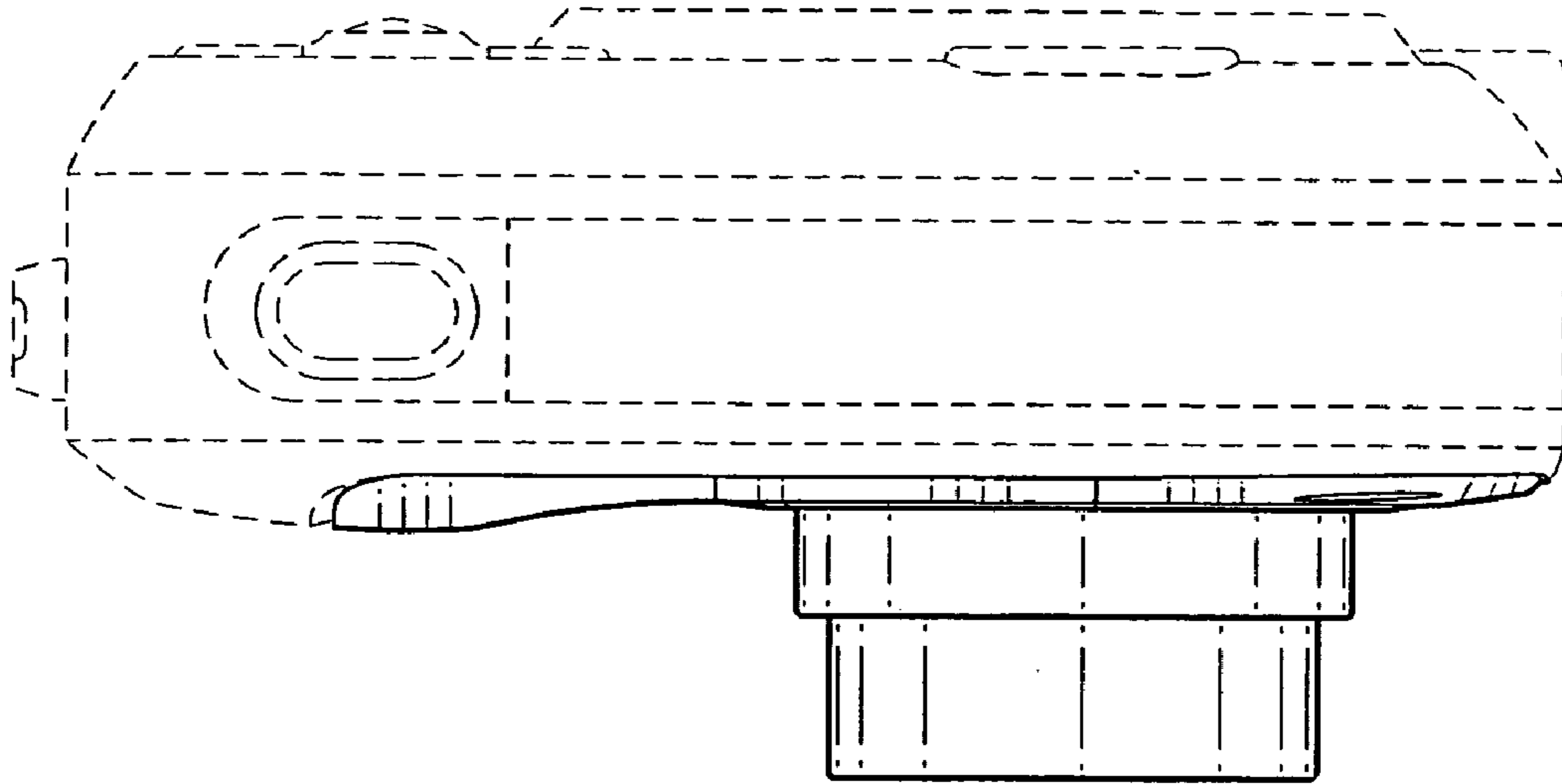


FIG.4

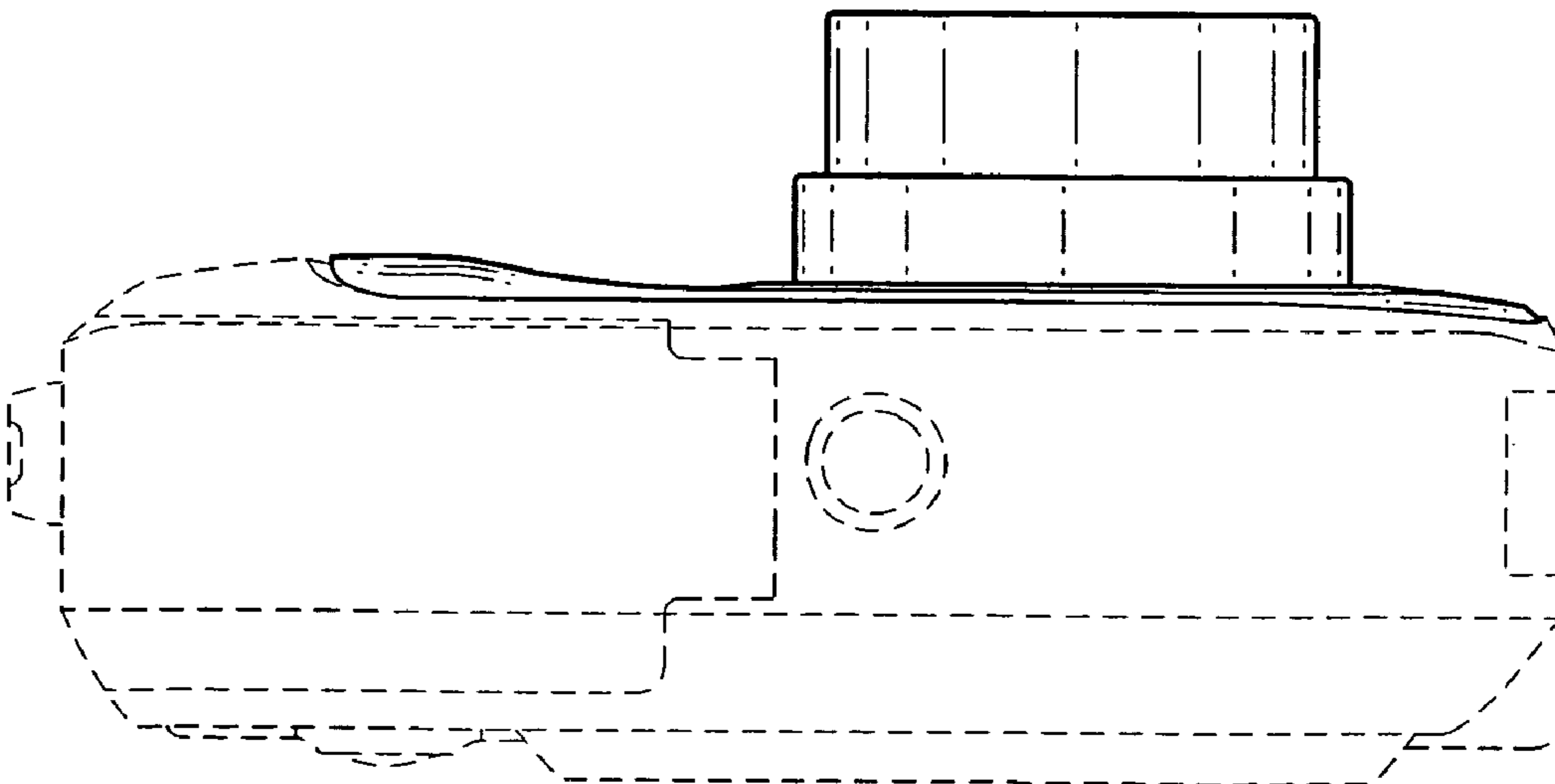


FIG.5

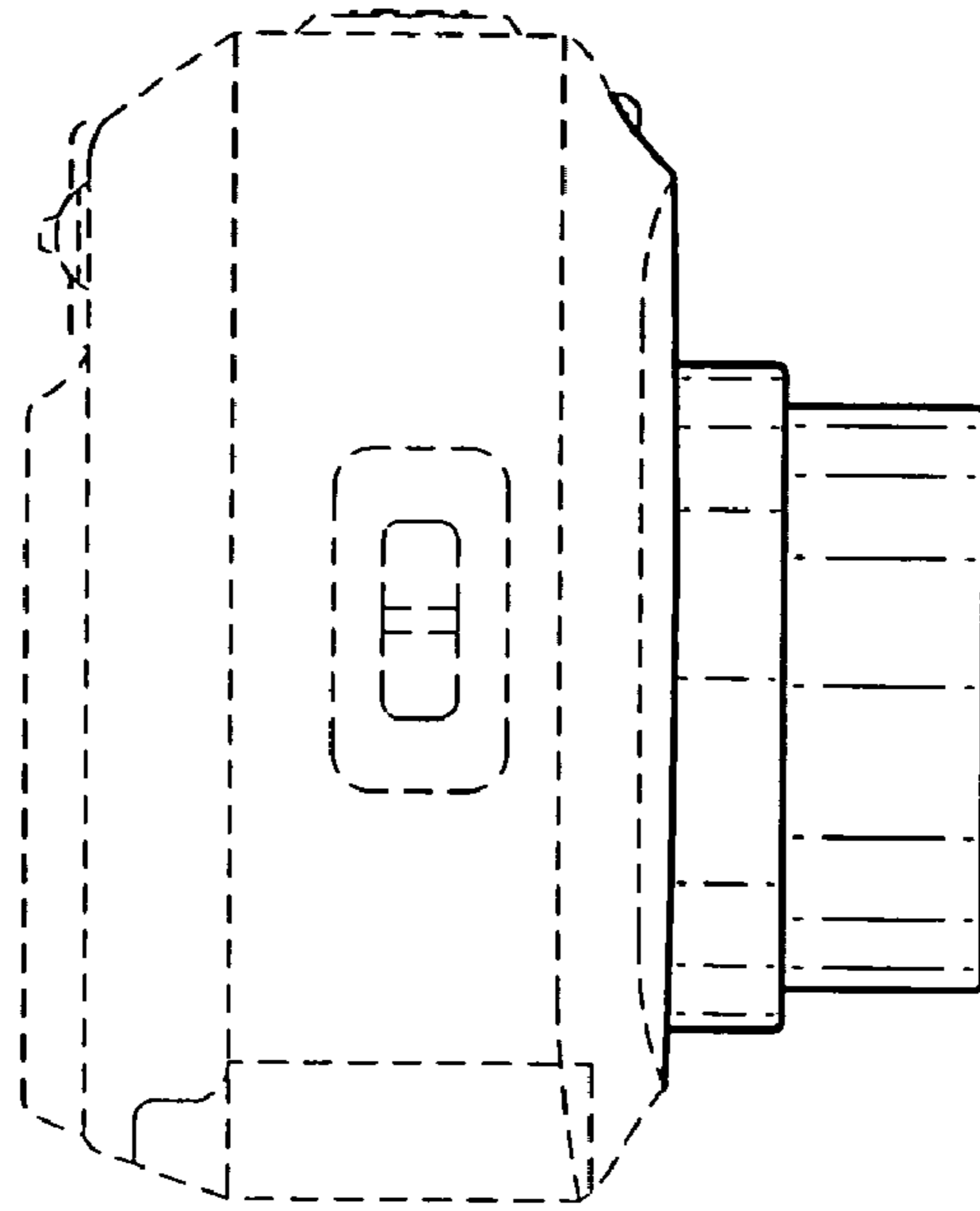


FIG.6

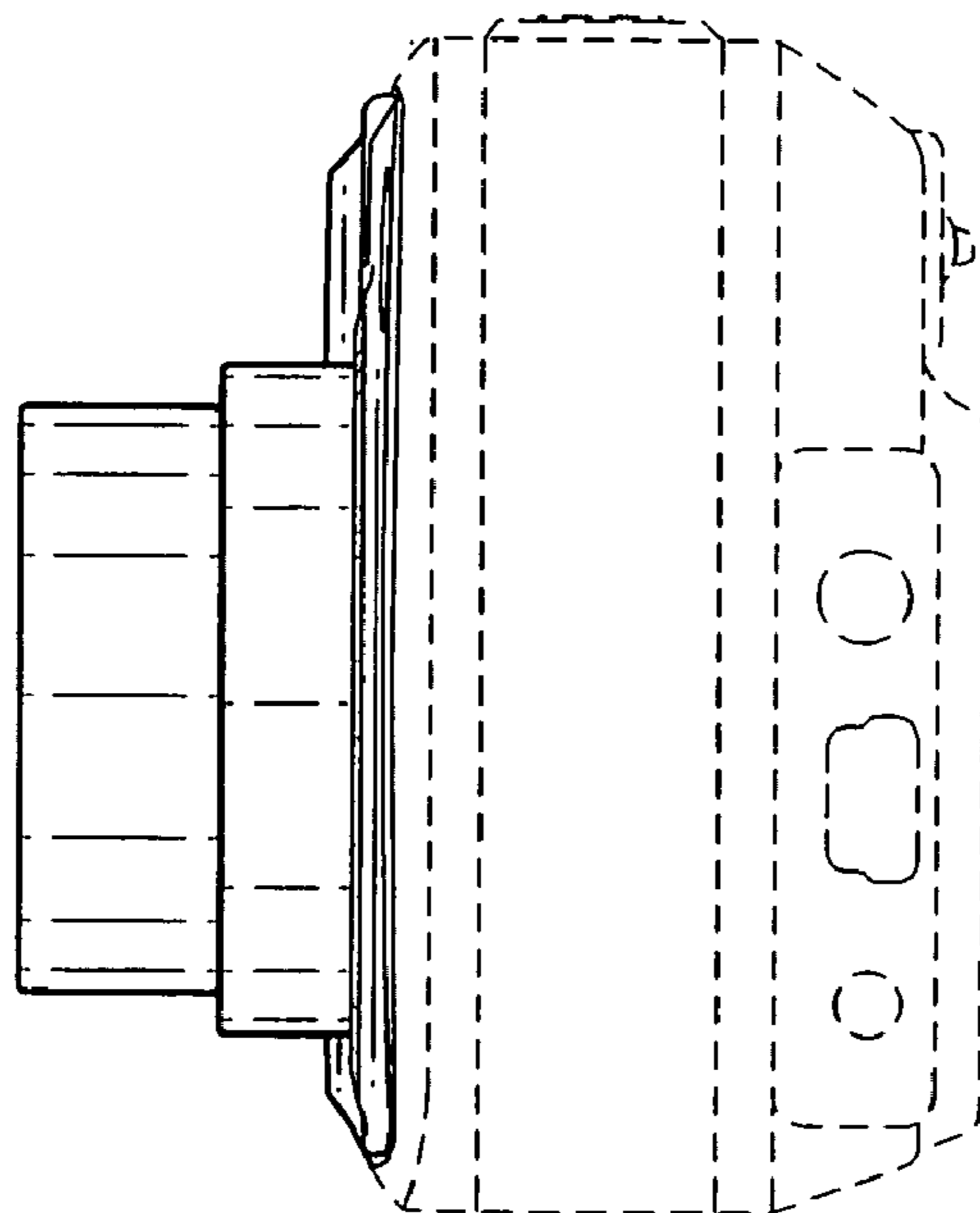


FIG. 7

