



US00D556805S

(12) **United States Design Patent**
Kuroda

(10) **Patent No.:** **US D556,805 S**
(45) **Date of Patent:** **** Dec. 4, 2007**

(54) **NETWORK CAMERA**

D540,361 S * 4/2007 Yamakawa D16/203

(75) Inventor: **Tetsuji Kuroda**, Tokyo (JP)

OTHER PUBLICATIONS

(73) Assignee: **PENTAX Corporation**, Tokyo (JP)

Information center of Japan patent office has received the below documents on Jan. 7, 1998; Name of documents: "M & E" No. 1 Jan. 1, 1998; Shown on p. 25; Design of :Video Camera; Document number of design department of JP Patent Office is HA 10000984.

(**) Term: **14 Years**

* cited by examiner

(21) Appl. No.: **29/265,365**

Primary Examiner—Ian Simmons

(22) Filed: **Aug. 31, 2006**

Assistant Examiner—Wan Laymon

(30) **Foreign Application Priority Data**

(74) *Attorney, Agent, or Firm*—Sughrue Mion, PLLC

Mar. 14, 2006 (JP) 2006-006354

(57) **CLAIM**

(51) **LOC (8) Cl.** **16-01**

The ornamental design for a network camera, as shown and described.

(52) **U.S. Cl.** **D16/203; D16/202**

(58) **Field of Classification Search** D16/200–206,
D16/208–209, 211, 213, 217–218; 348/143,
348/151, 373–376; 396/427, 535–541; 358/906,
358/909.1; D21/514

DESCRIPTION

See application file for complete search history.

FIG. 1 is a perspective view of the top, front and right side of a network camera showing my new design;

FIG. 2 is a front elevational view thereof;

(56) **References Cited**

U.S. PATENT DOCUMENTS

- D303,674 S * 9/1989 Shimizu et al. D16/202
- D339,598 S * 9/1993 Shimizu D16/203
- 6,830,387 B2 * 12/2004 Rife 396/427
- D512,087 S * 11/2005 Kato et al. D16/203
- D524,785 S * 7/2006 Huang D16/208
- D527,404 S * 8/2006 Brickzin D16/203
- D528,143 S * 9/2006 Walter et al. D16/203

FIG. 3 is a rear elevational view thereof;

FIG. 4 is a right side elevational view thereof;

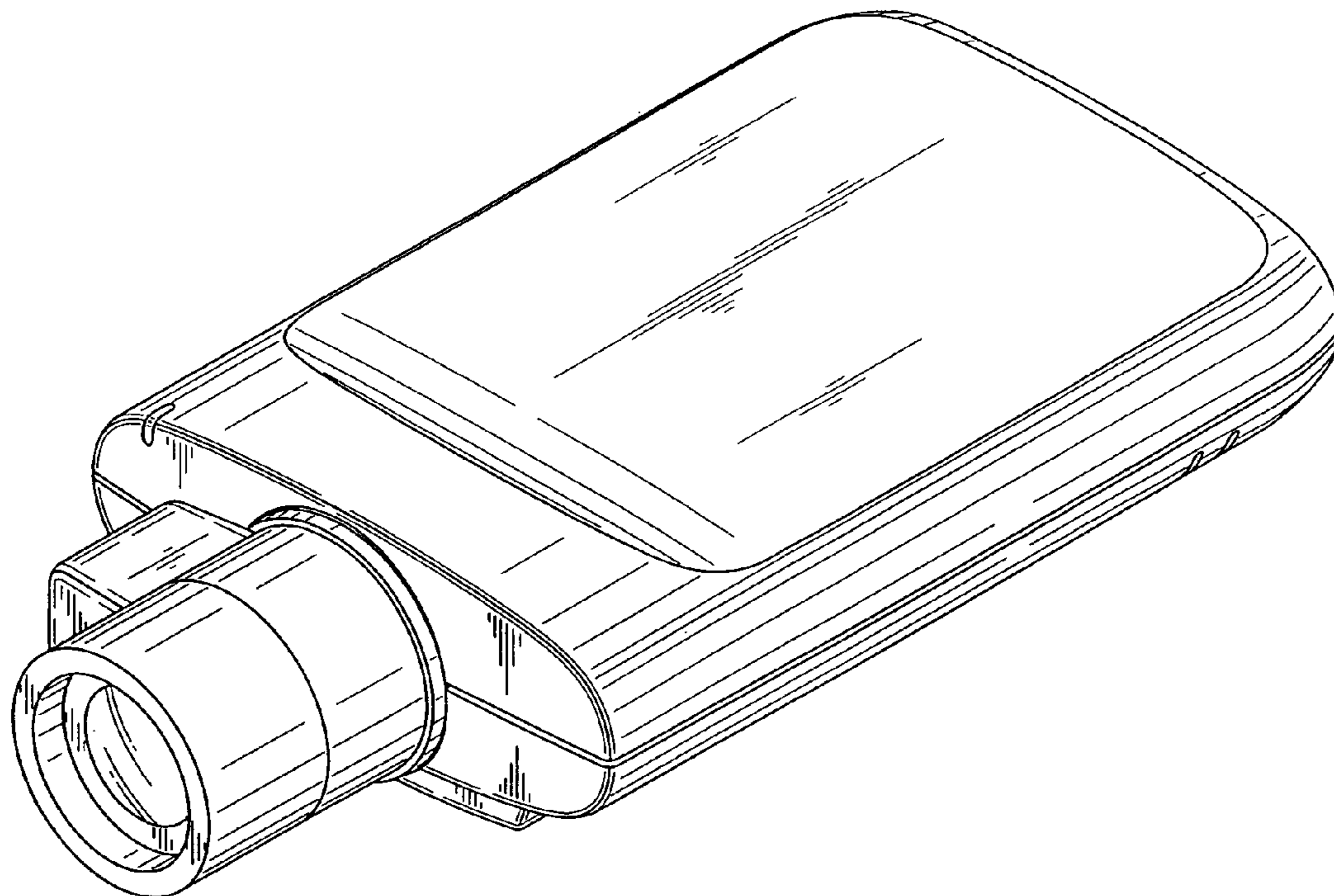
FIG. 5 is a left side elevational view thereof;

FIG. 6 is a top plan view thereof; and,

FIG. 7 is a bottom plan view thereof.

The portions shown in broken lines are for illustrative purposes only and form no part of the claimed design.

1 Claim, 4 Drawing Sheets



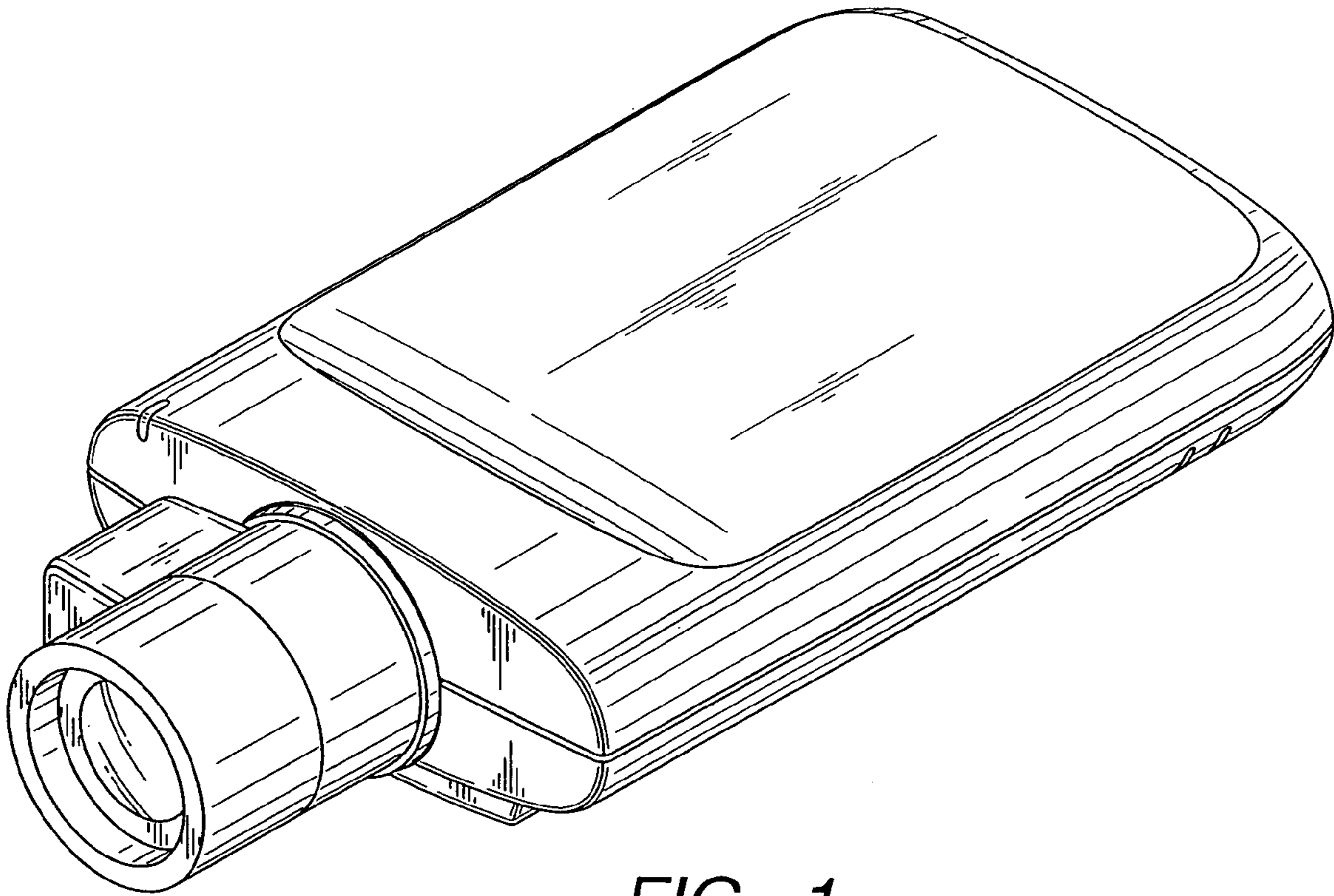


FIG. 1

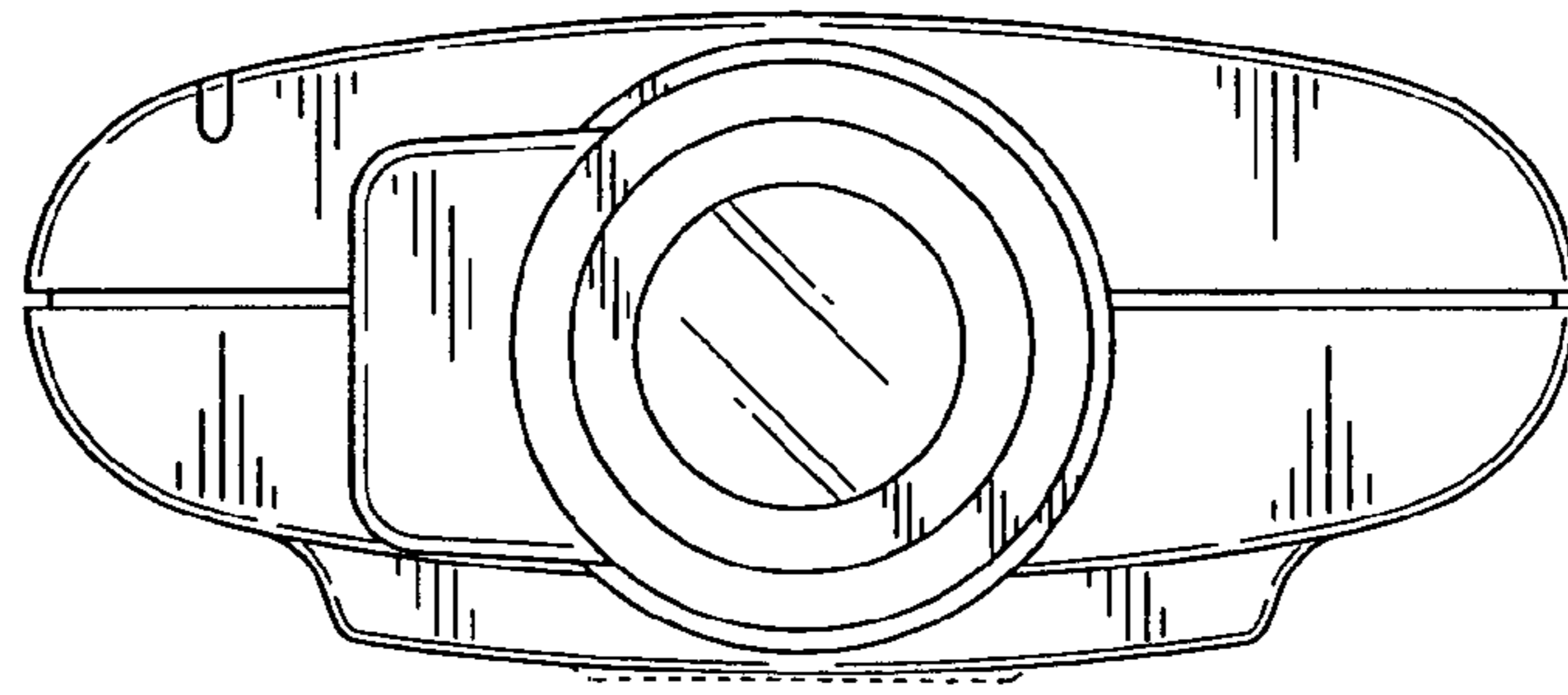


FIG. 2

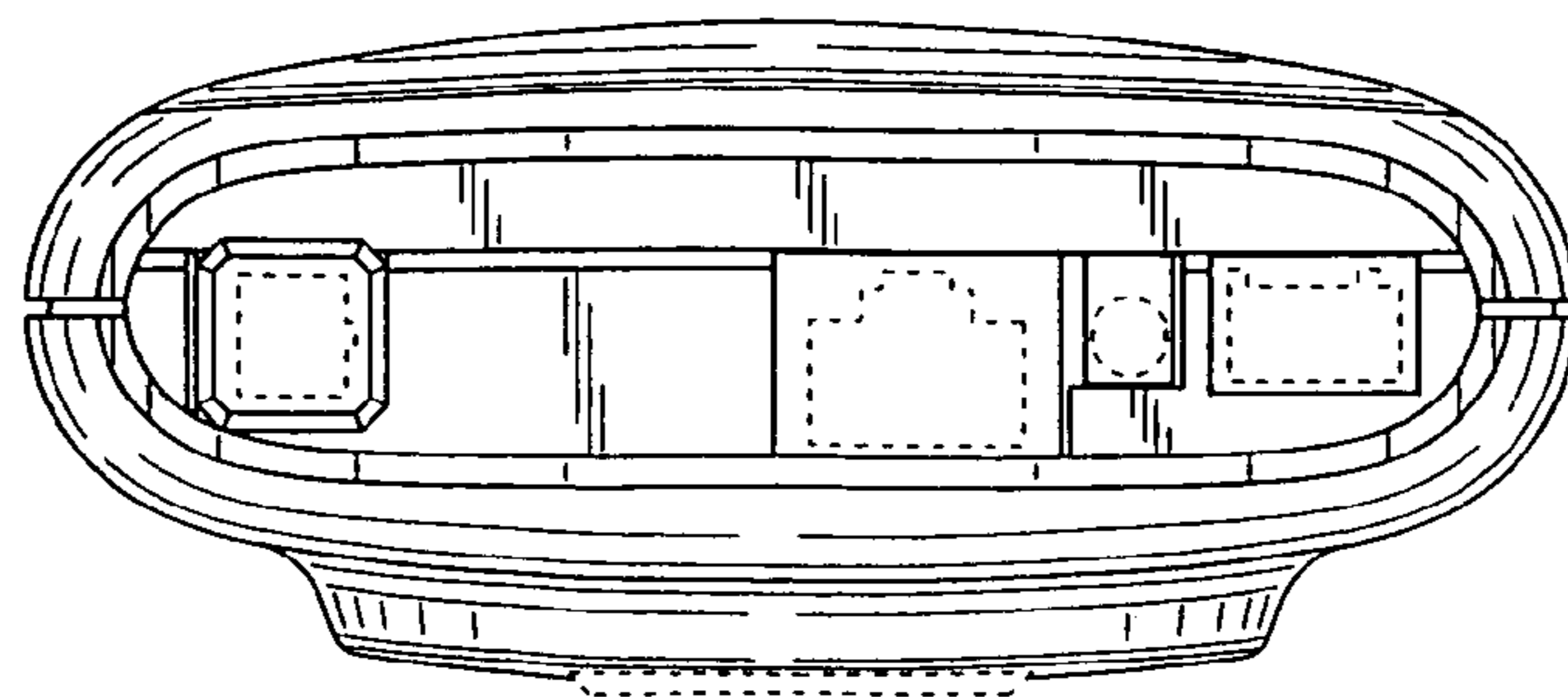


FIG. 3

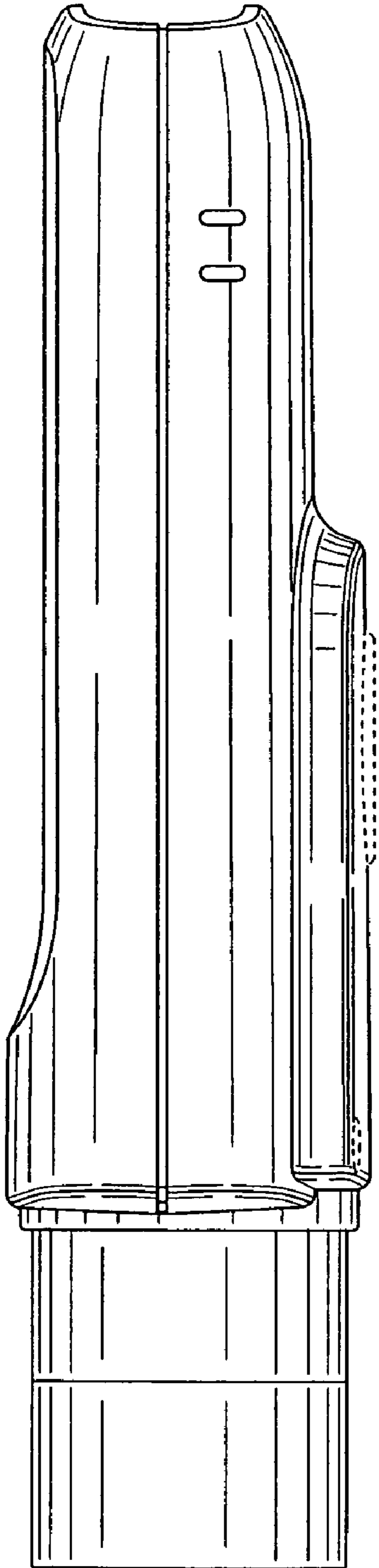


FIG. 4

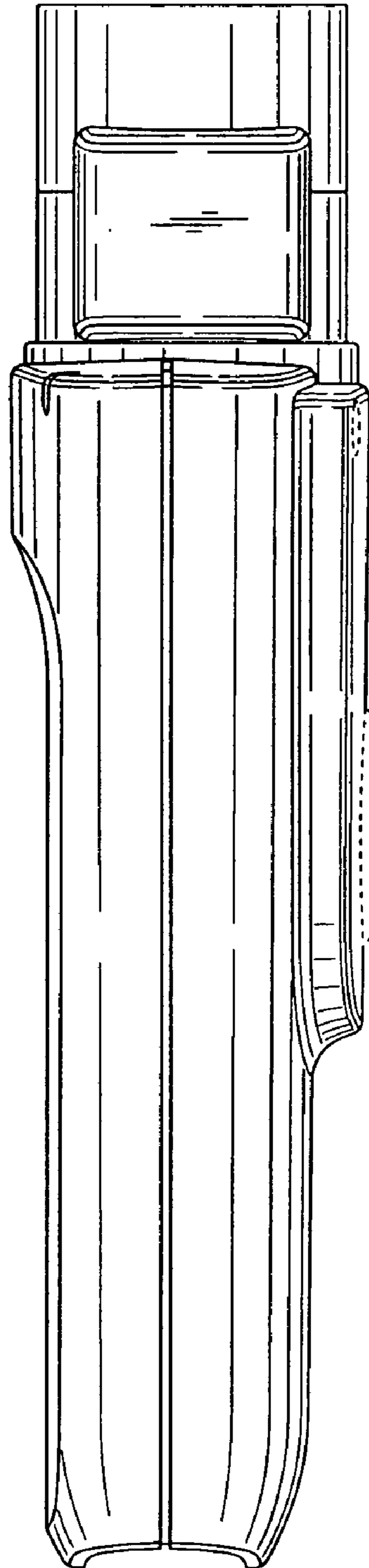


FIG. 5

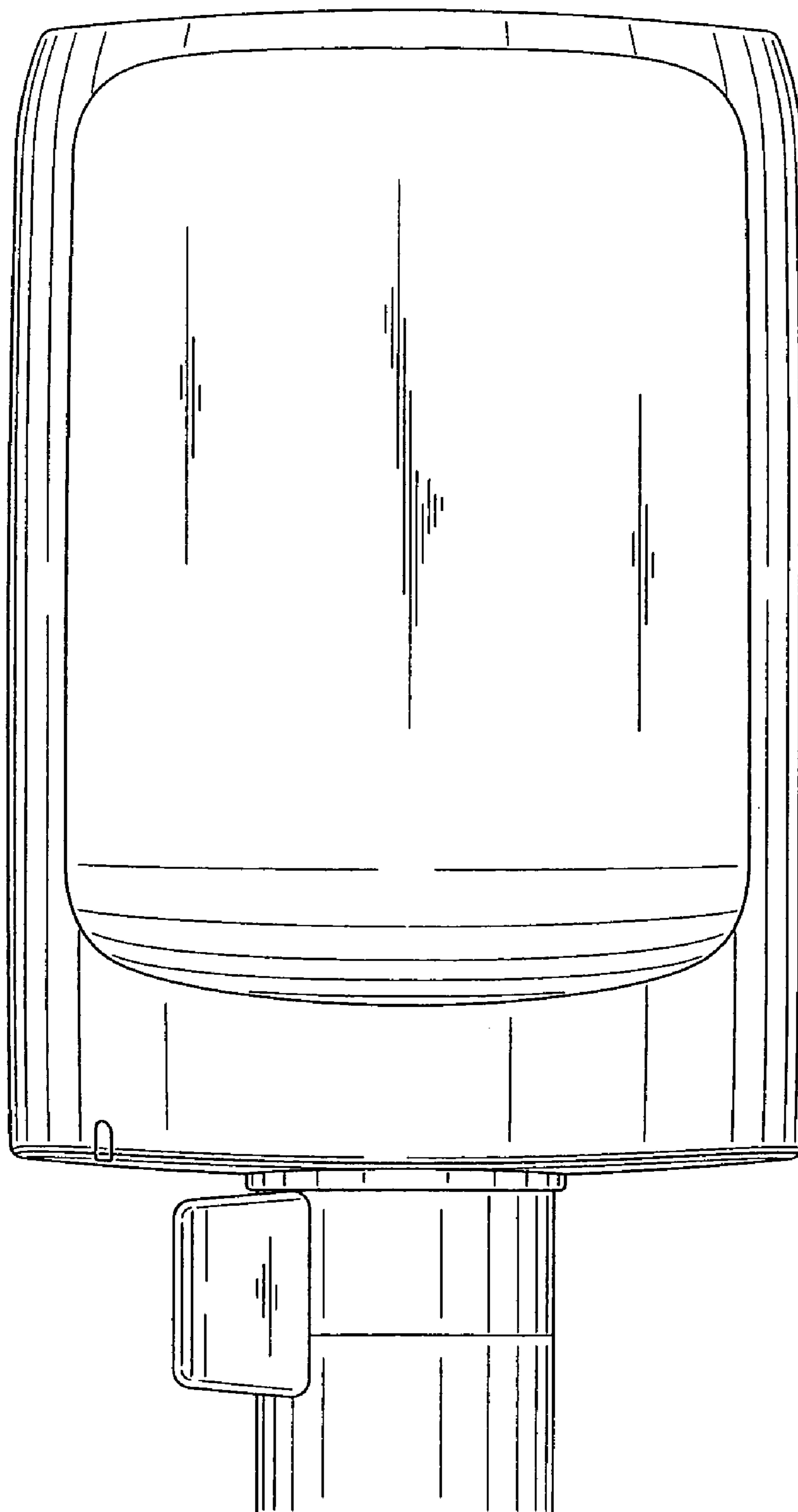


FIG. 6

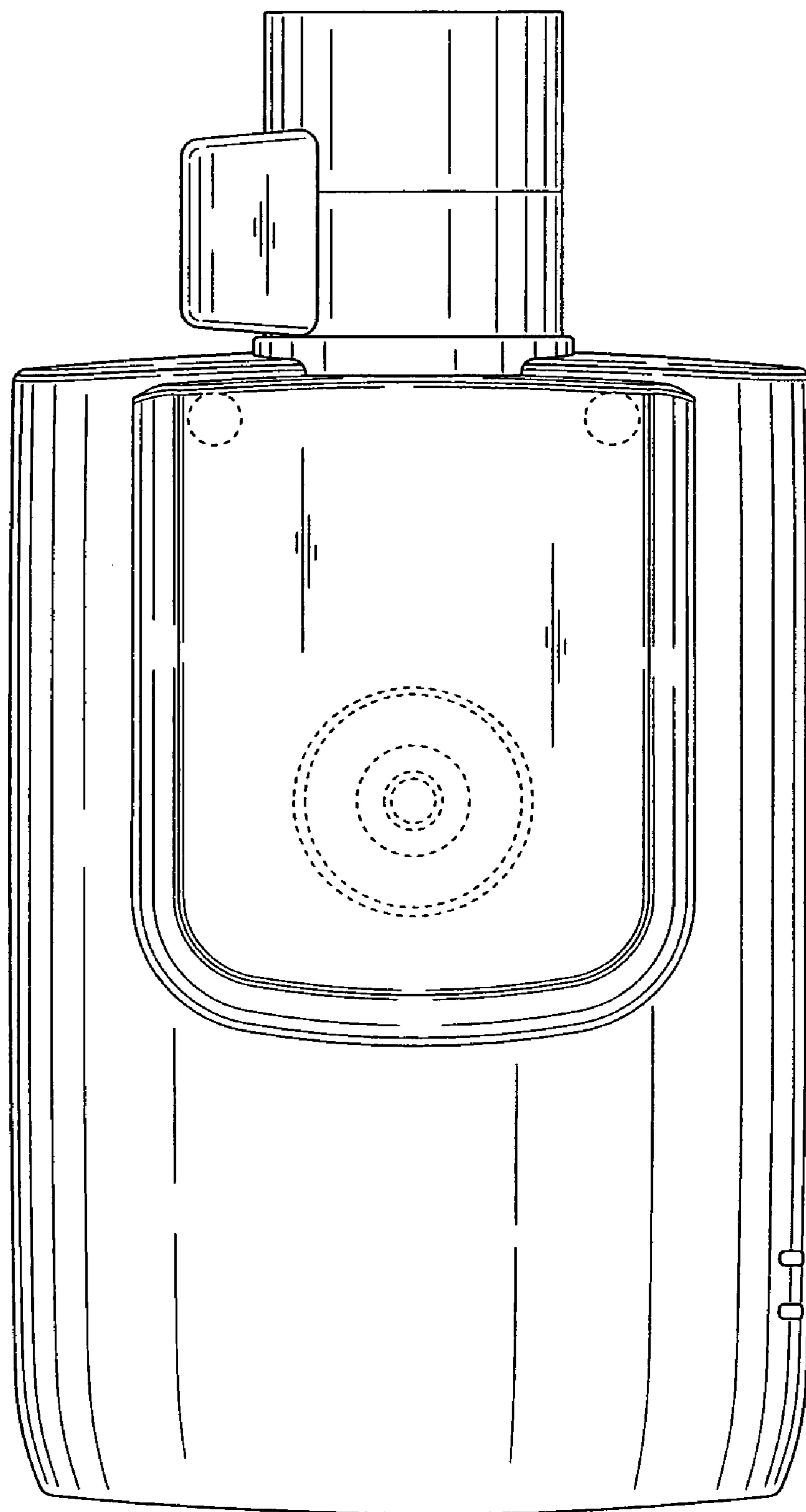


FIG. 7