



US00D556803S

(12) **United States Design Patent**  
**Ishida**

(10) **Patent No.:** **US D556,803 S**  
(45) **Date of Patent:** **\*\* Dec. 4, 2007**

(54) **VIDEO CAMERA**

JP D1228433 S 1/2005

(75) Inventor: **Raku Ishida**, Tokyo (JP)

**OTHER PUBLICATIONS**

(73) Assignee: **Sony Corporation**, Tokyo (JP)

Web page "SNC-RZ25N" [http://www.sony.jp/products/Professional/security/products/network\\_camera.snc\\_rz25n/index.html](http://www.sony.jp/products/Professional/security/products/network_camera.snc_rz25n/index.html), 1 sheet, Sony (Mar. 2006).

(\*\*) Term: **14 Years**

Web page "KX-HCM180" <http://panasonic.biz/netsys/netwcam/lineup/hcm180.html>, 1 sheet, Panasonic (Mar. 2006).

(21) Appl. No.: **29/260,574**

Web page "BB-HCM381" <http://panasonic.biz/netsys/netwcam/lineup/hcm381.html>, 1 sheet, Panasonic (Mar. 2006).

(22) Filed: **May 30, 2006**

Web page "PTC-401C IP" [http://www.elmo.co.jp/product/camera/network/ptz/ptc401c\\_ip.html](http://www.elmo.co.jp/product/camera/network/ptz/ptc401c_ip.html), 1 sheet, Elmo (Mar. 2006).

(51) **LOC (8) Cl.** ..... **16-01**

\* cited by examiner

(52) **U.S. Cl.** ..... **D16/203; D16/202**

*Primary Examiner*—Adir Aronovich

(58) **Field of Classification Search** ..... D16/200–206,  
D16/208, 218; 348/143, 151, 373–376; 396/427,  
396/535, 536–541

(74) *Attorney, Agent, or Firm*—Rader, Fishman & Grauer PLLC

See application file for complete search history.

(56) **References Cited**

(57) **CLAIM**

**U.S. PATENT DOCUMENTS**

The ornamental design for a video camera, as shown.

D478,108 S	8/2003	Miyazaki	
D487,764 S *	3/2004	Adachi et al.	D16/203
6,705,774 B2 *	3/2004	Tashiro et al.	396/427
D502,196 S	2/2005	Miyazaki	
D517,585 S *	3/2006	Iino et al.	D16/203
D518,080 S *	3/2006	Uehara	D16/203
D520,548 S *	5/2006	Tsai	D16/203
D542,319 S *	5/2007	Ishida et al.	D16/203
D542,320 S *	5/2007	Cheng	D16/203
7,217,045 B2 *	5/2007	Jones	348/373
2006/0050150 A1 *	3/2006	Yamane	348/151

**DESCRIPTION**

FIG. 1 is a front right top perspective view of a video camera showing my new design;

FIG. 2 is a front left bottom perspective view thereof;

FIG. 3 is a front elevational view thereof;

FIG. 4 is a rear elevational view thereof;

FIG. 5 is a left side elevational view thereof;

FIG. 6 is a right side elevational view thereof;

FIG. 7 is a top plan view thereof; and,

FIG. 8 is a bottom plan view thereof.

**FOREIGN PATENT DOCUMENTS**

JP	D1140861 S	5/2002
JP	D1173308 S	5/2003
JP	D1228000 S	1/2005

**1 Claim, 8 Drawing Sheets**

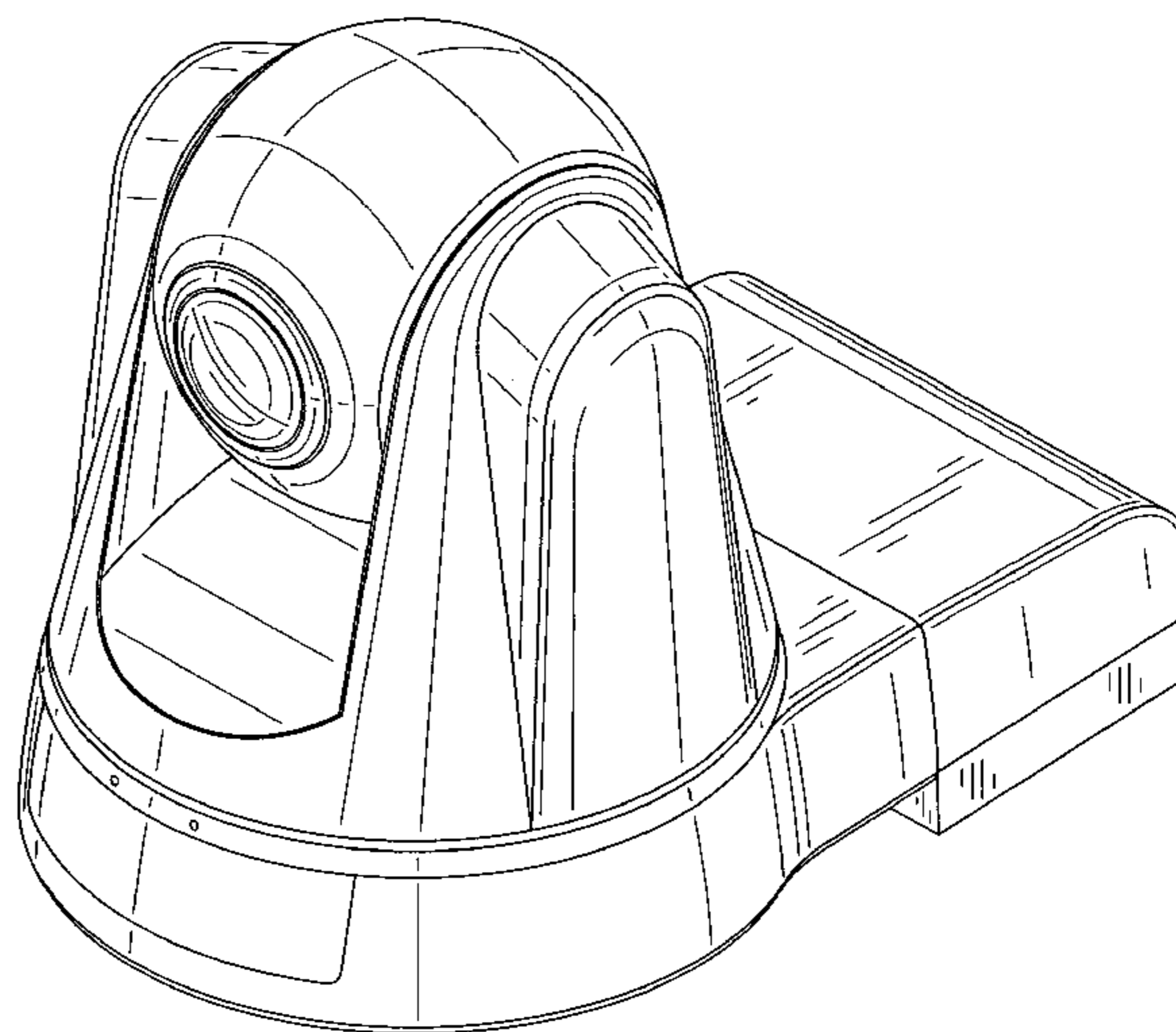
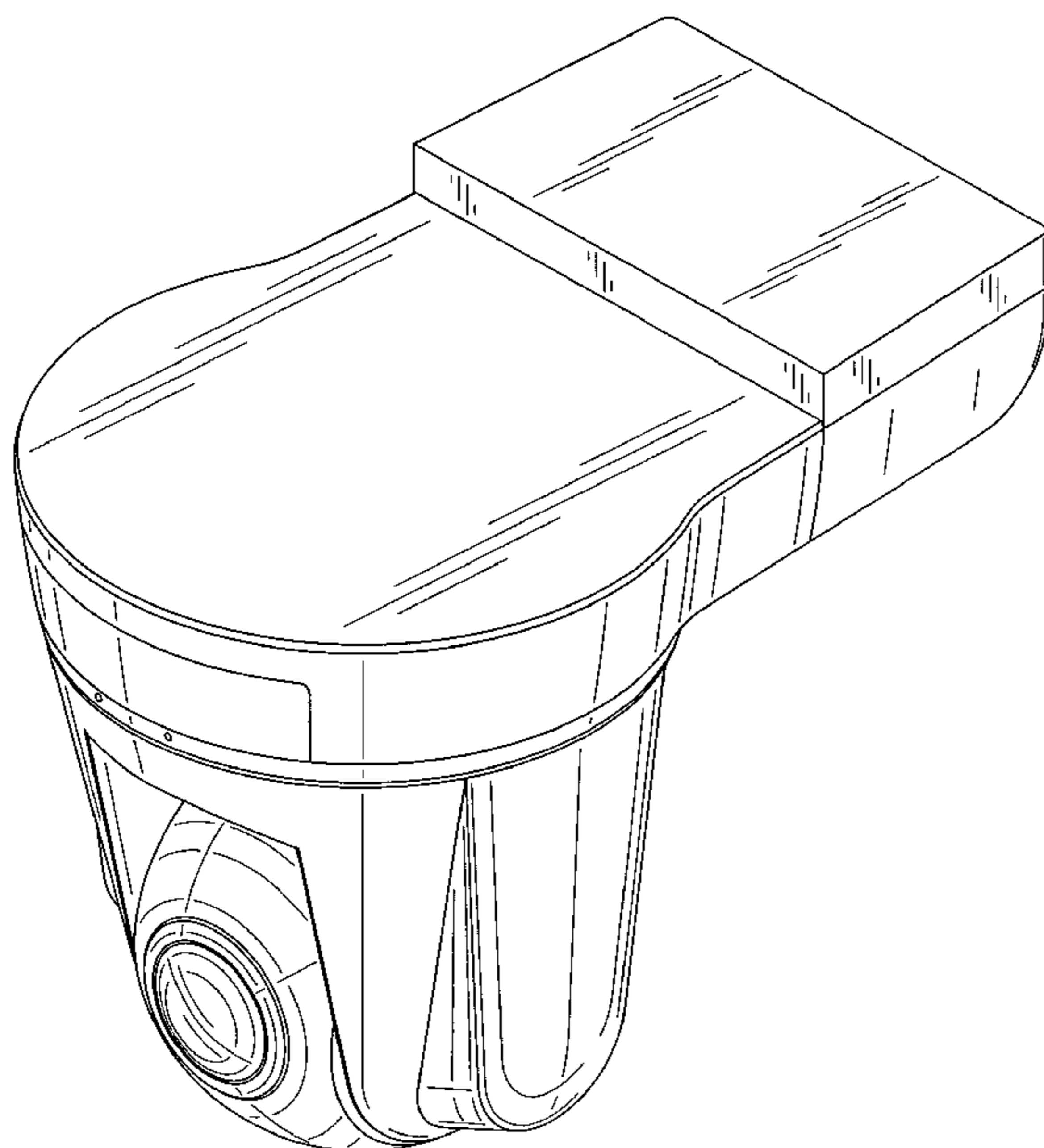


Fig. 1

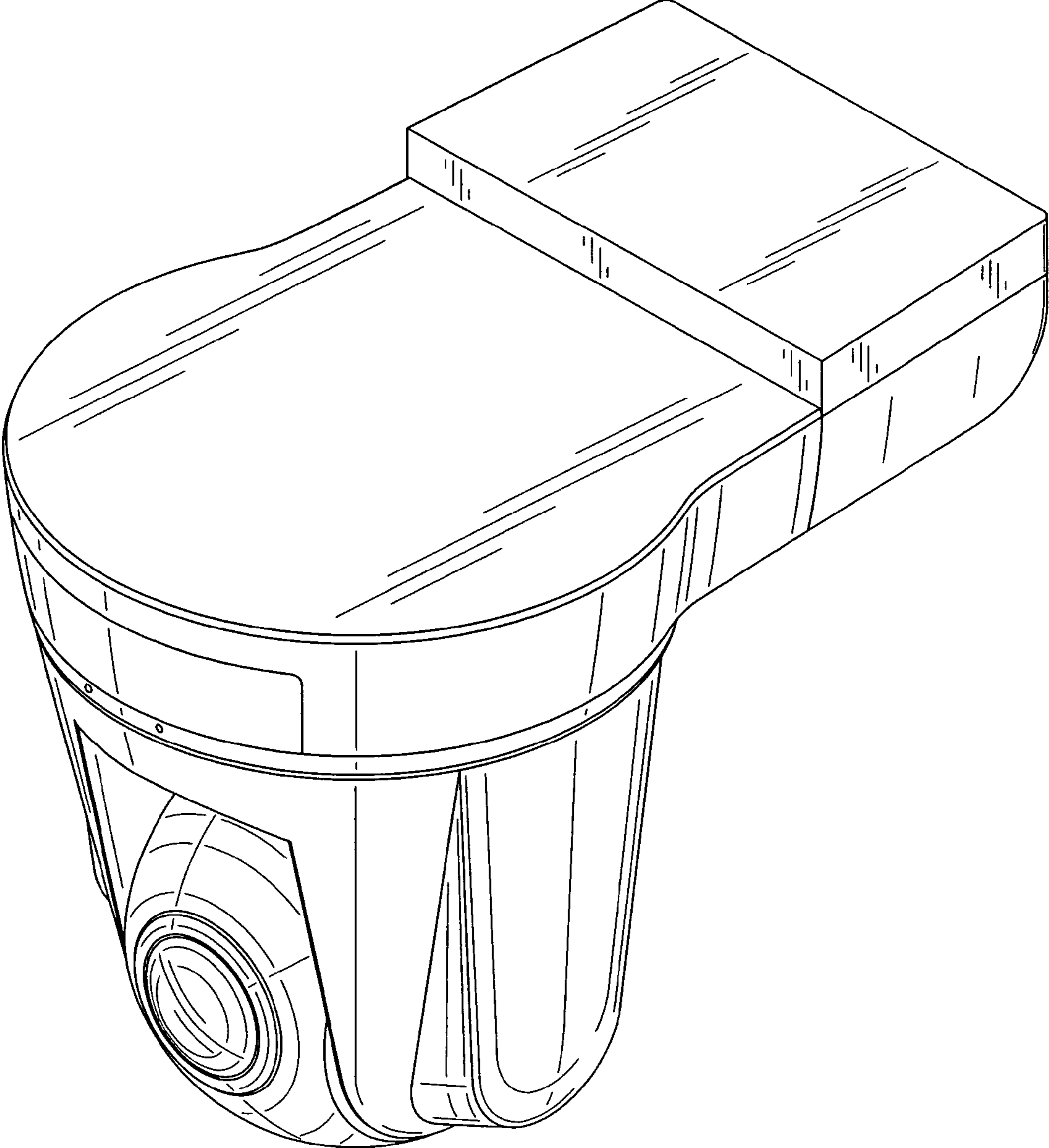


Fig.2

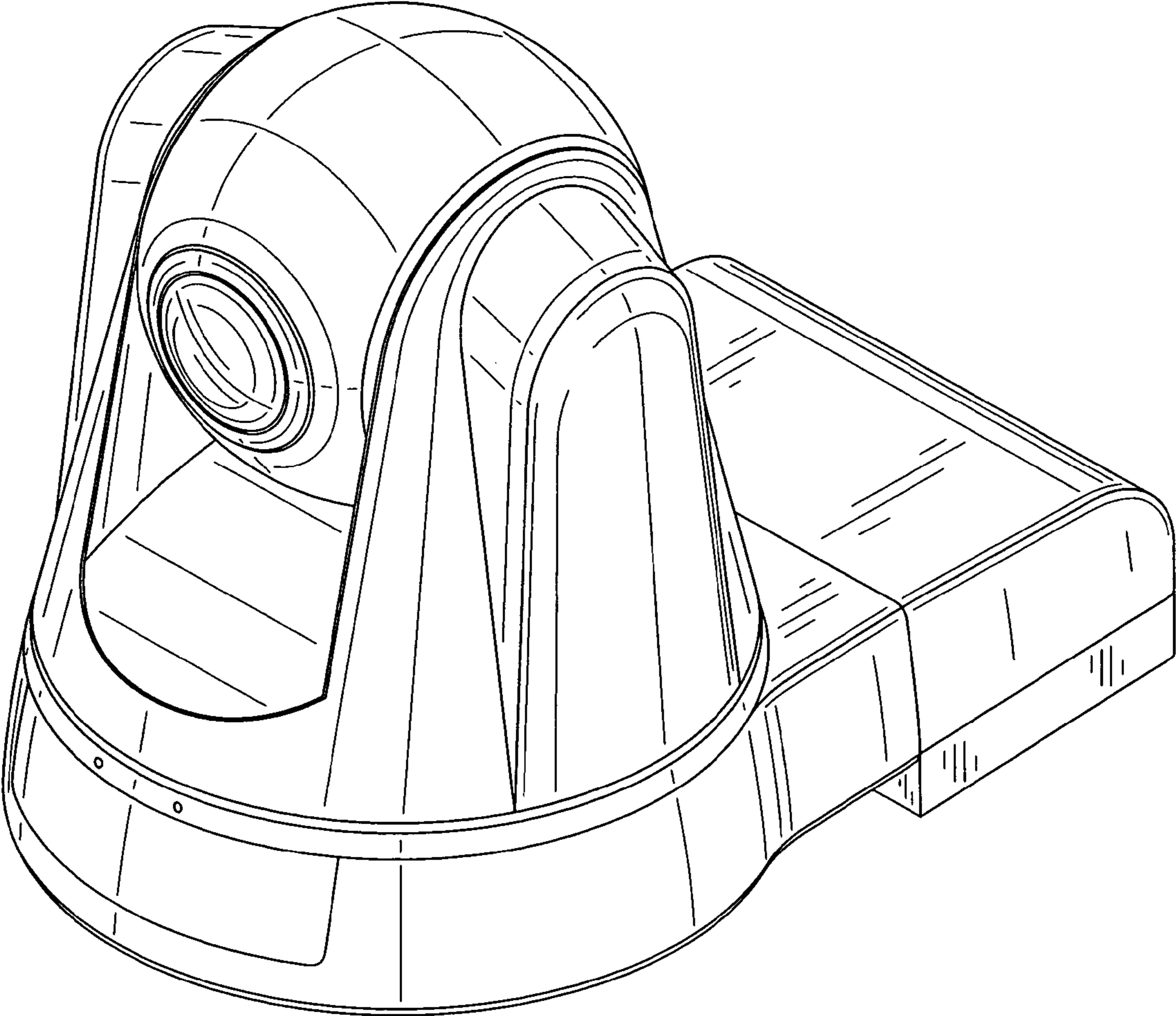


Fig.3

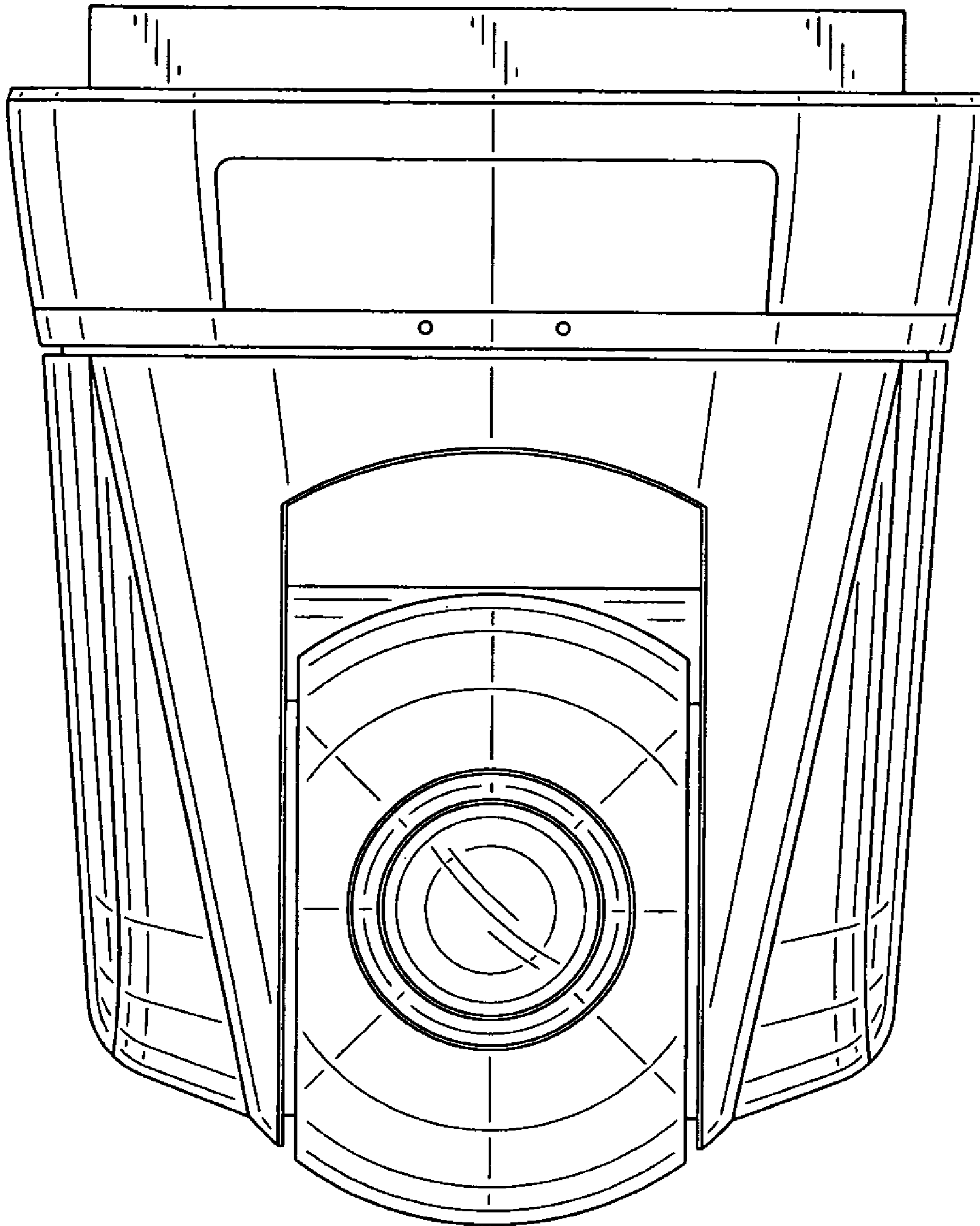




Fig.4

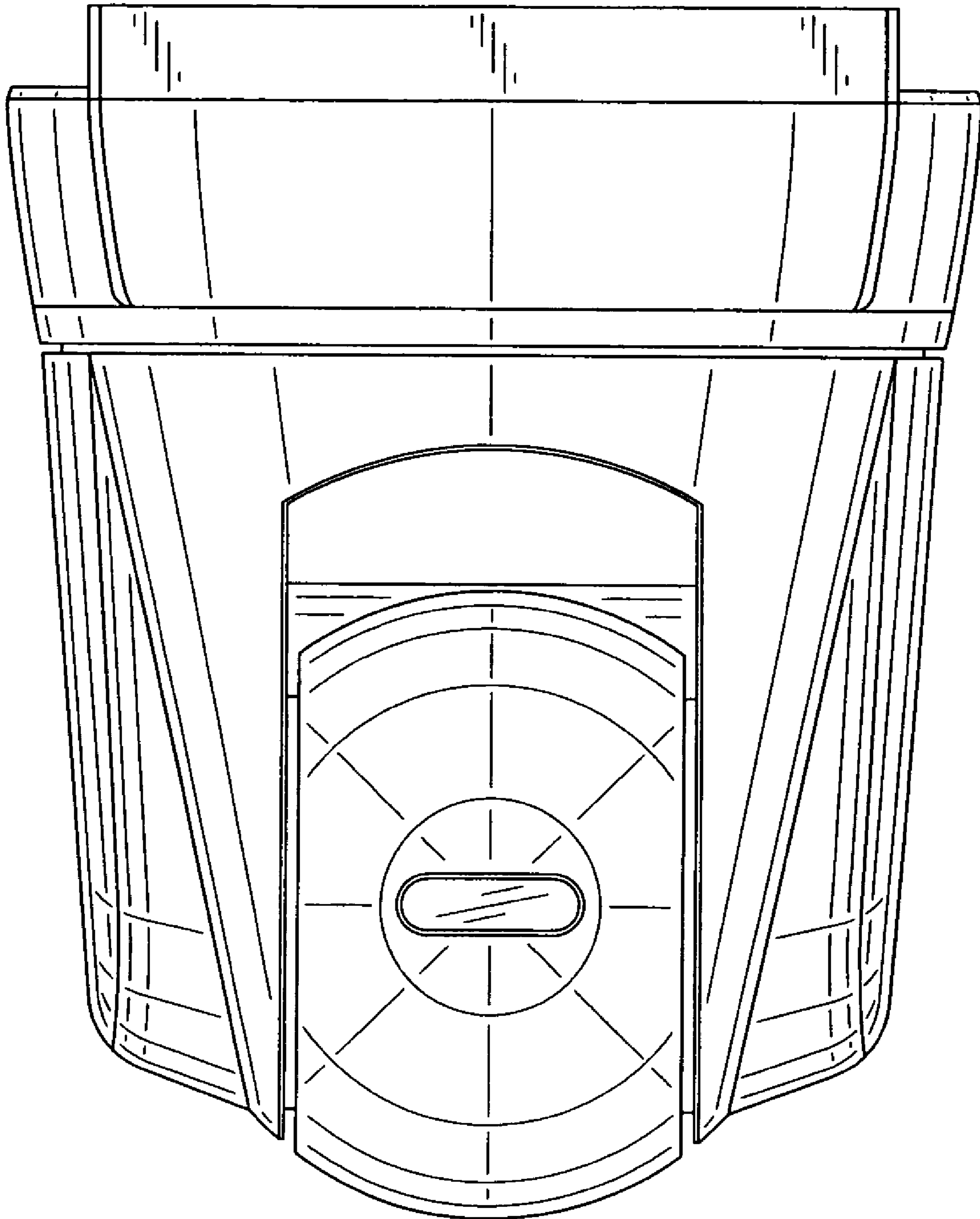


Fig.5

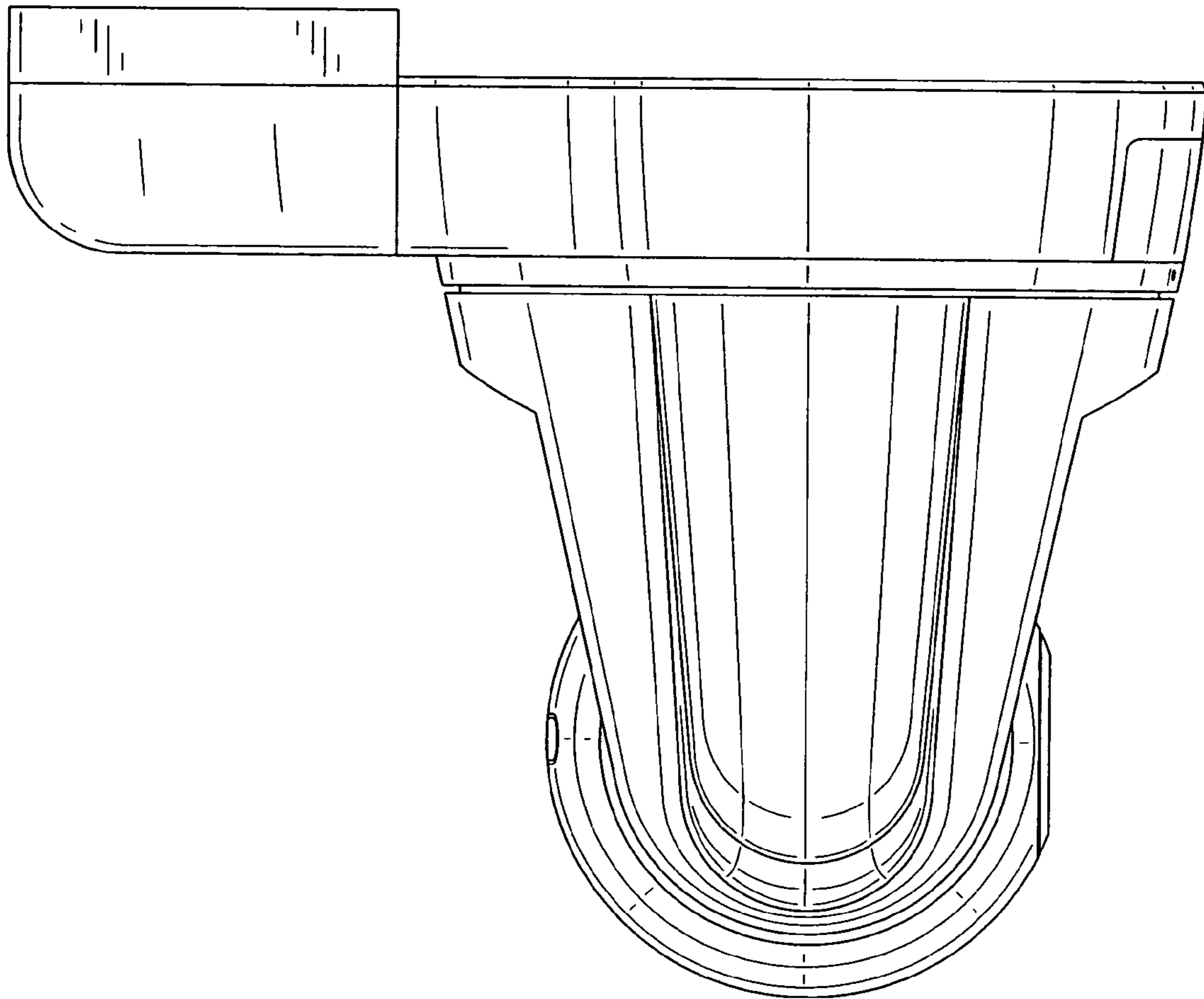


Fig.6

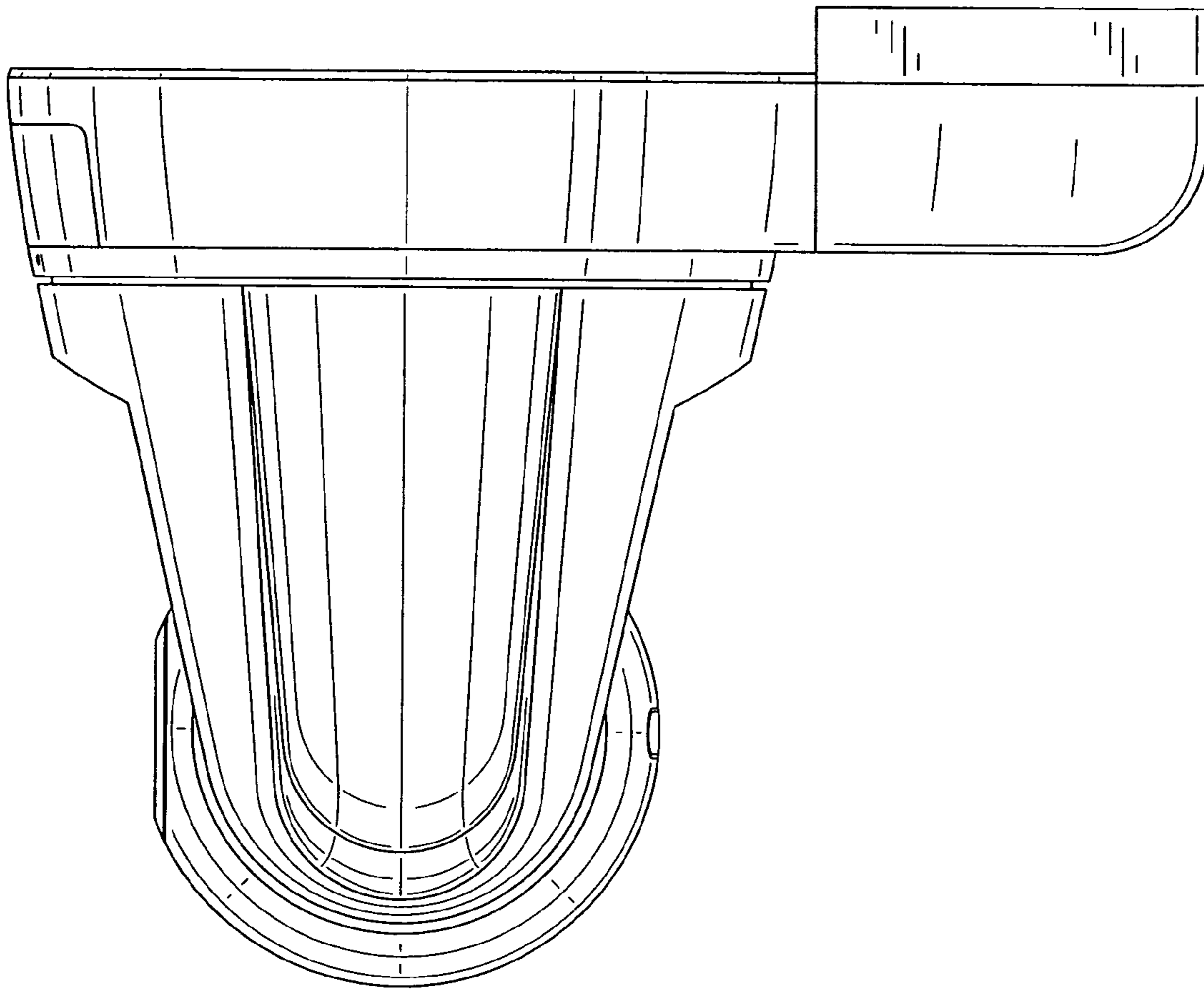


Fig.7

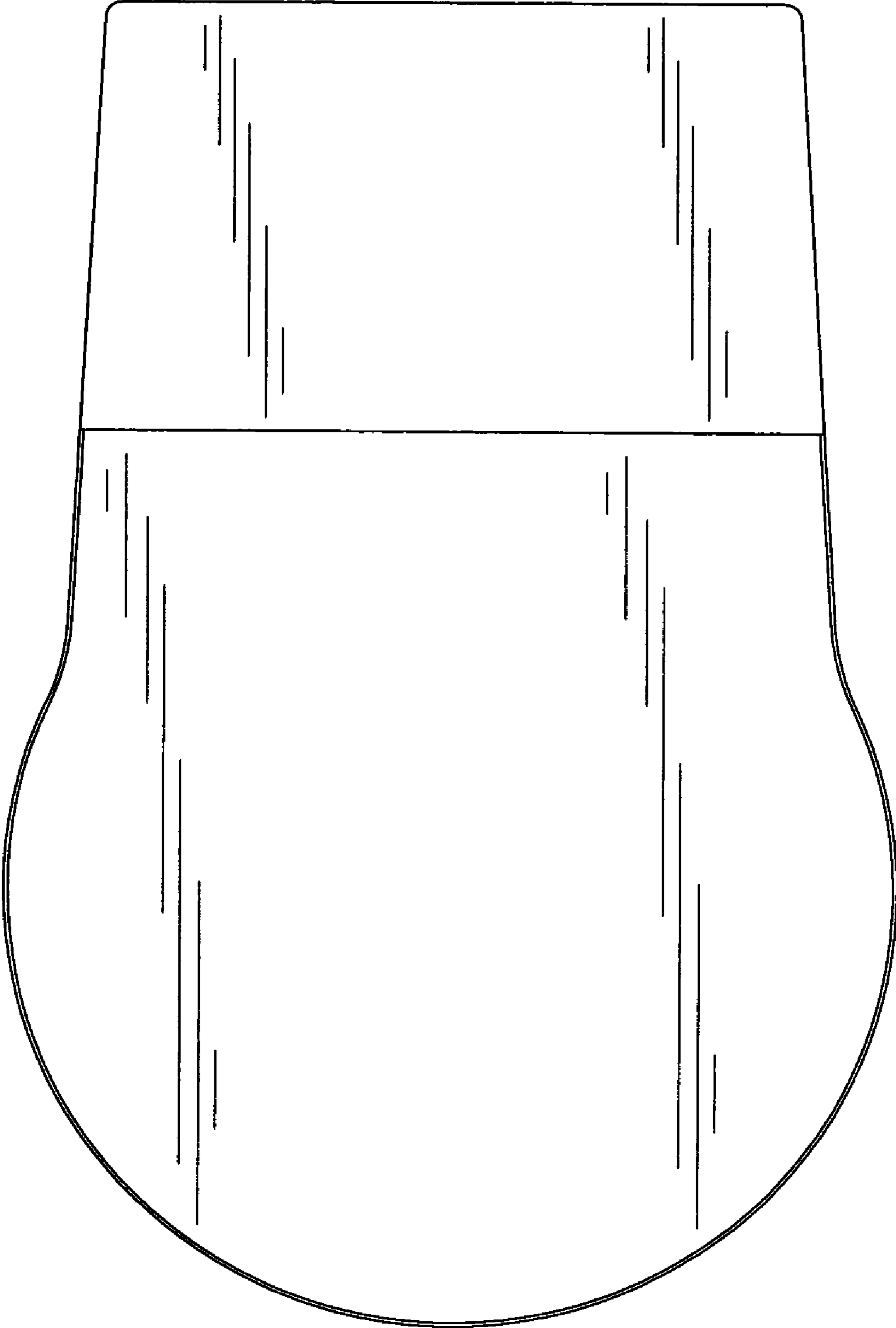




Fig.8

