



US00D556799S

(12) **United States Design Patent**
Wang

(10) **Patent No.:** **US D556,799 S**

(45) **Date of Patent:** **** Dec. 4, 2007**

(54) **ICE REMOVAL FOR A POND**

(75) Inventor: **Yu-Chin Wang**, Taipei (TW)

(73) Assignee: **Eiko Electric Products Corp.**, Taipei (TW)

(**) Term: **14 Years**

(21) Appl. No.: **29/262,801**

(22) Filed: **Jul. 12, 2006**

(51) **LOC (8) Cl.** **15-99**

(52) **U.S. Cl.** **D15/199**

(58) **Field of Classification Search** D15/199;
D23/336, 499; 43/4; 62/275; 126/360.1,
126/376.1; 219/523, 538, 552; 392/448,
392/451, 499

See application file for complete search history.

(56) **References Cited**

U.S. PATENT DOCUMENTS

- 2,514,559 A * 7/1950 Riemenschneider 392/499
- 2,520,576 A * 8/1950 Stookey 392/499
- 3,807,385 A * 4/1974 Hedstrom 126/360.1
- 6,597,863 B2 * 7/2003 Koskey, Jr. 392/499
- 6,694,662 B1 * 2/2004 McClure 43/4

- 6,778,763 B1 * 8/2004 Reusche et al. 392/499
- 2002/0136545 A1 * 9/2002 Koskey, Jr. 392/499
- 2004/0151485 A1 * 8/2004 Reusche et al. 392/499
- 2005/0279010 A1 * 12/2005 Krog 43/44.87

* cited by examiner

Primary Examiner—Gary D. Watson

Assistant Examiner—Patricia Palasik

(57) **CLAIM**

The ornamental design for an ice removal for a pond, as shown and described.

DESCRIPTION

FIG. 1 is a perspective view of an ice removal for a pond showing my new design;

FIG. 2 is a front view thereof;

FIG. 3 is a rear view thereof;

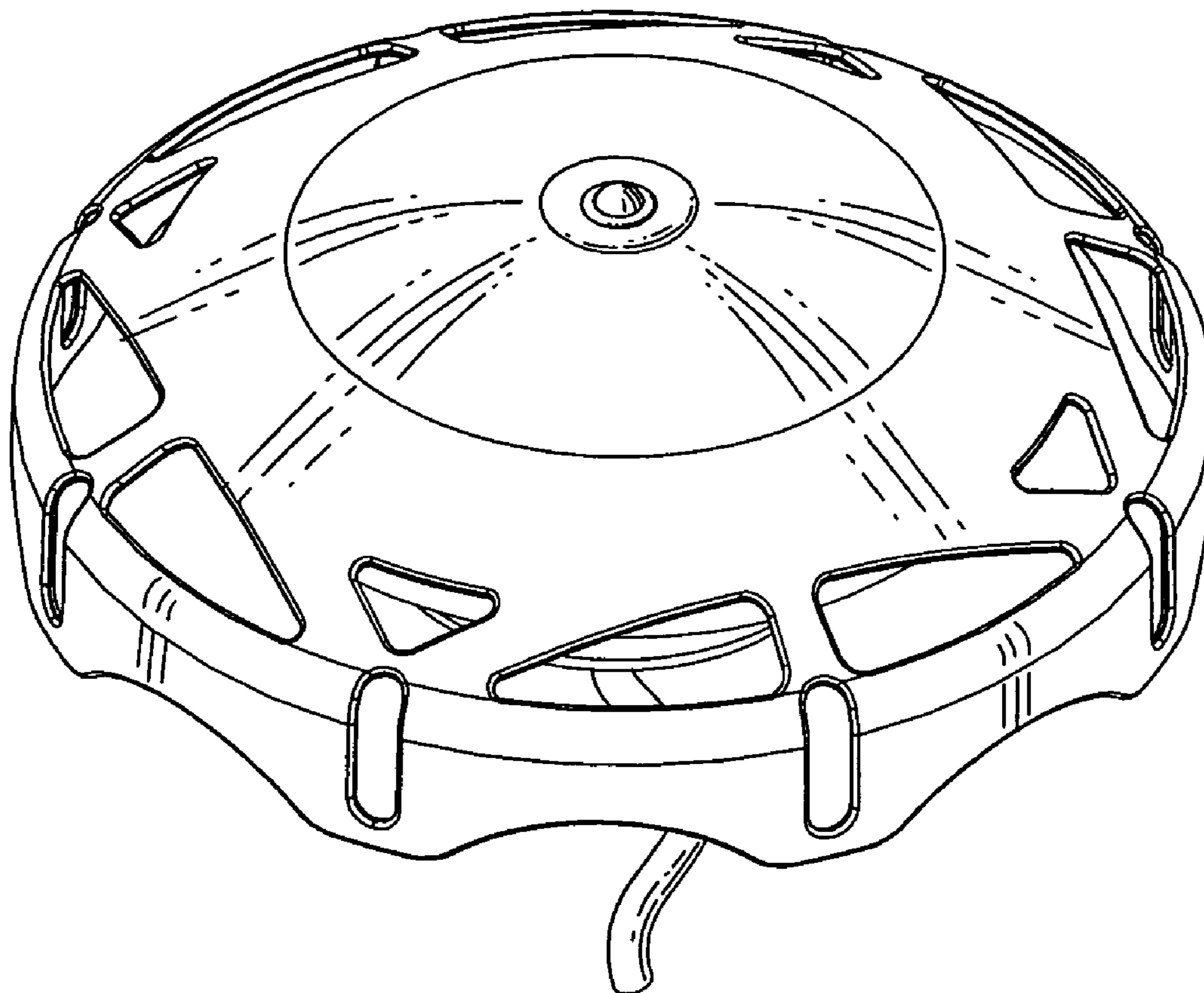
FIG. 4 is a left side view thereof;

FIG. 5 is a right side view thereof;

FIG. 6 is a top view thereof; and,

FIG. 7 is a bottom view thereof.

1 Claim, 4 Drawing Sheets



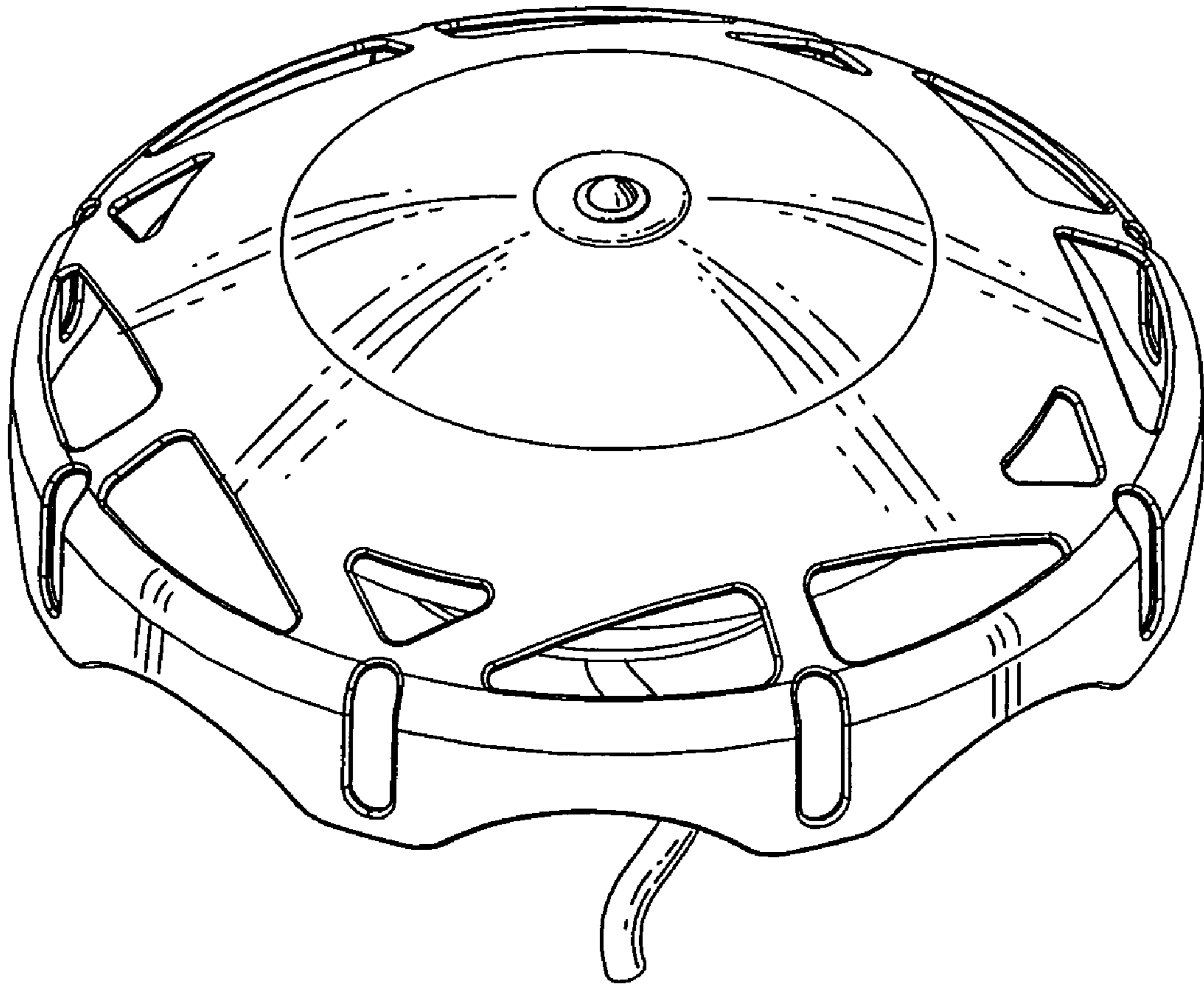


FIG. 1

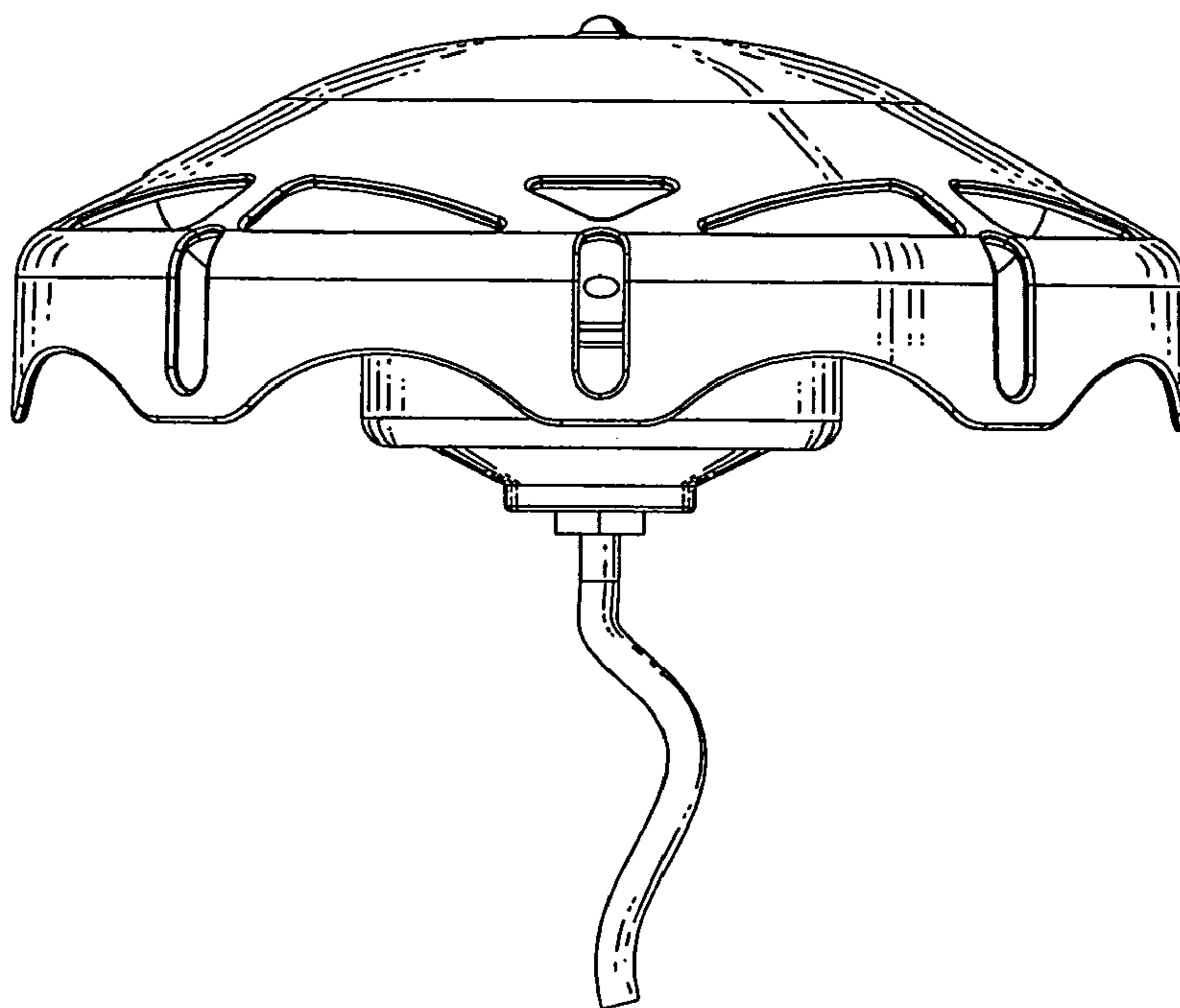


FIG. 2

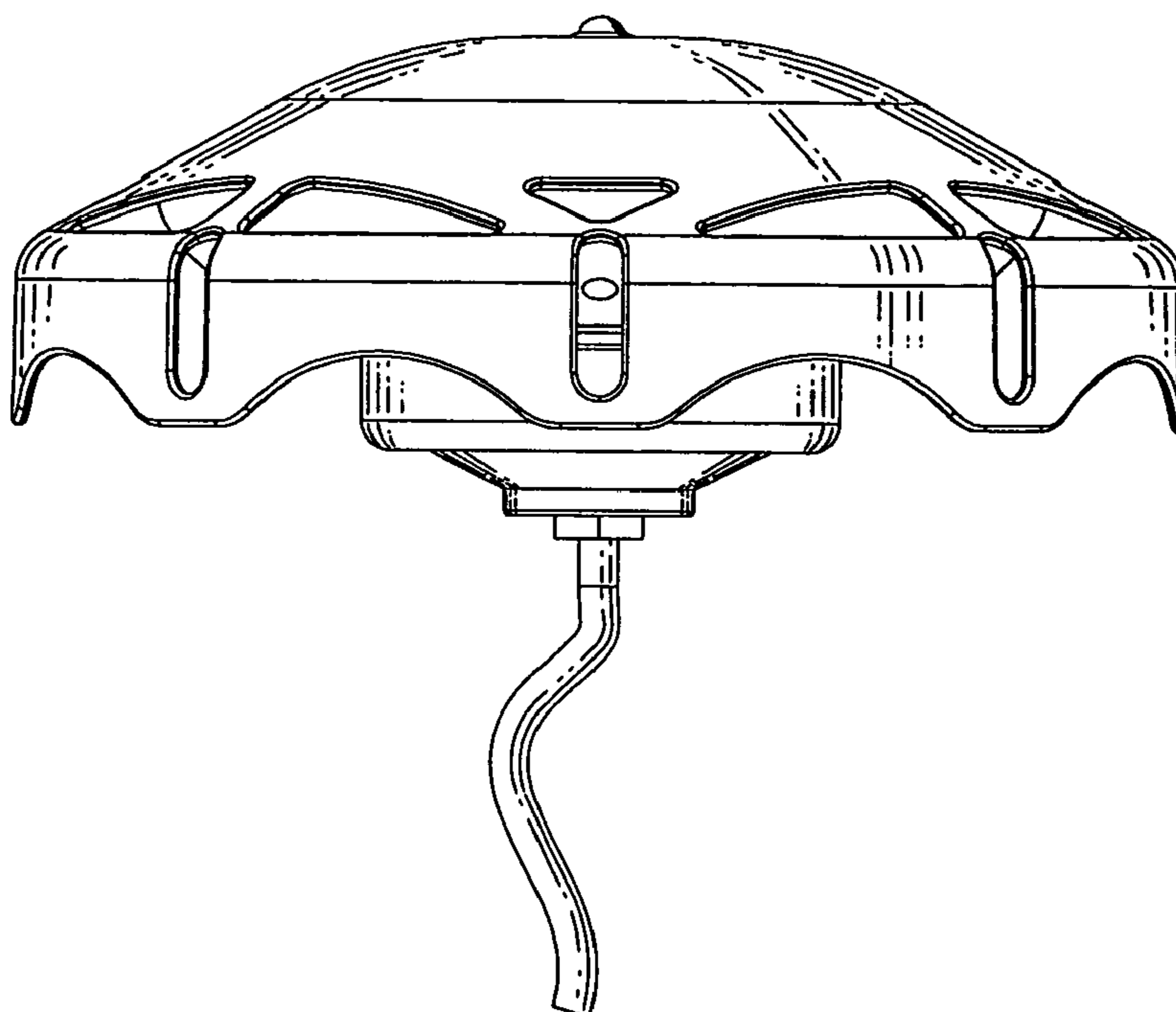


FIG. 3

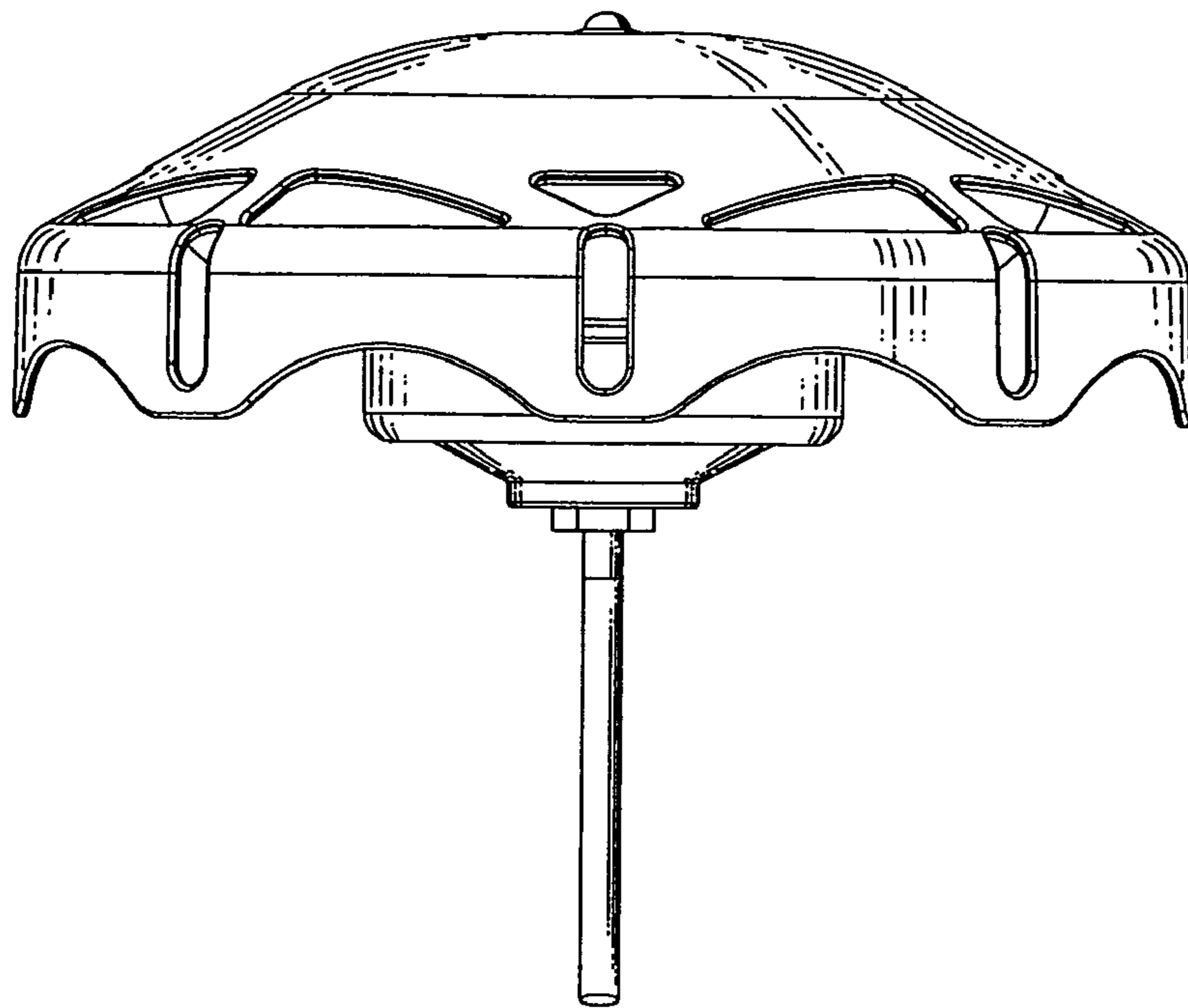


FIG. 4

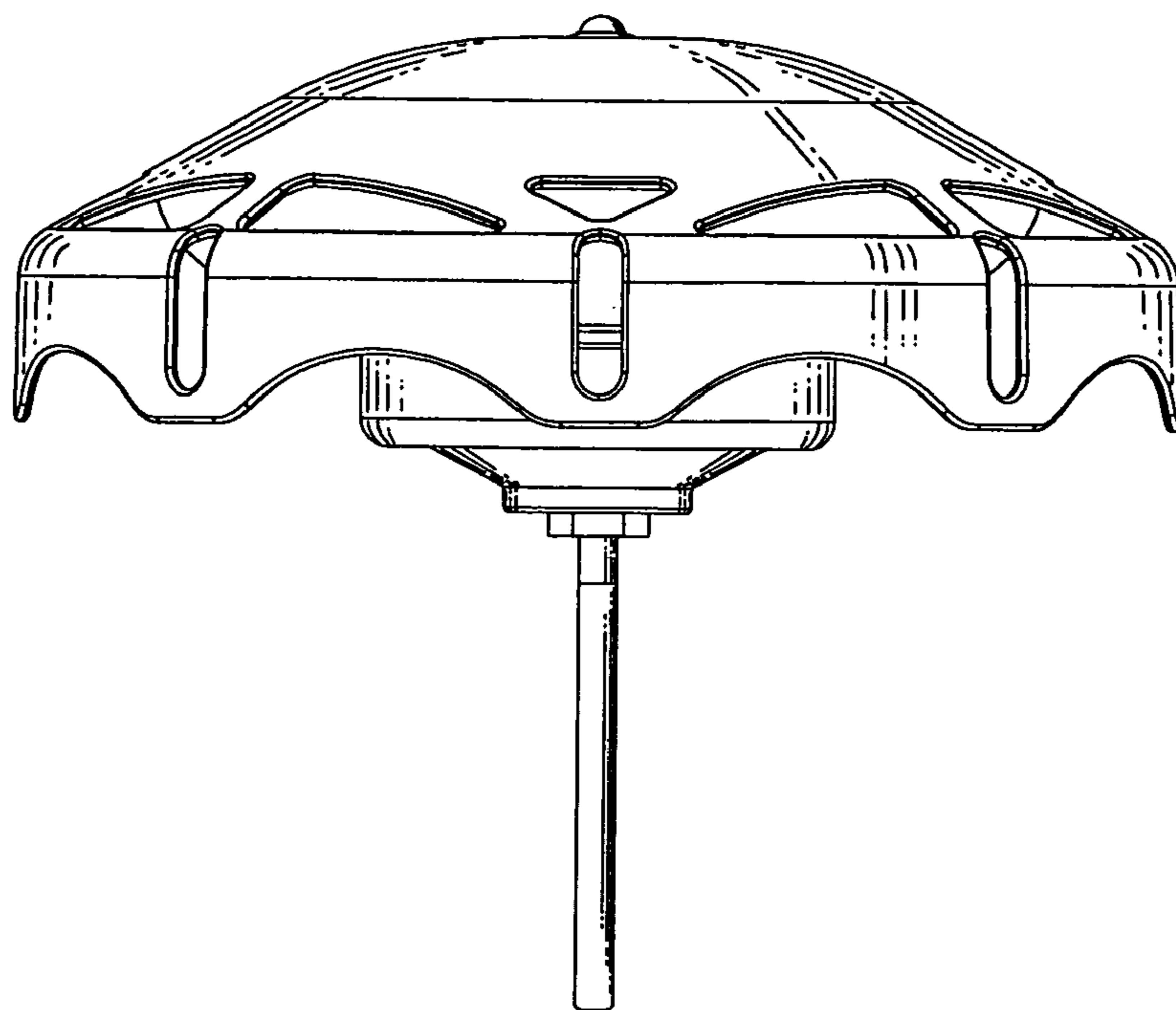


FIG. 5

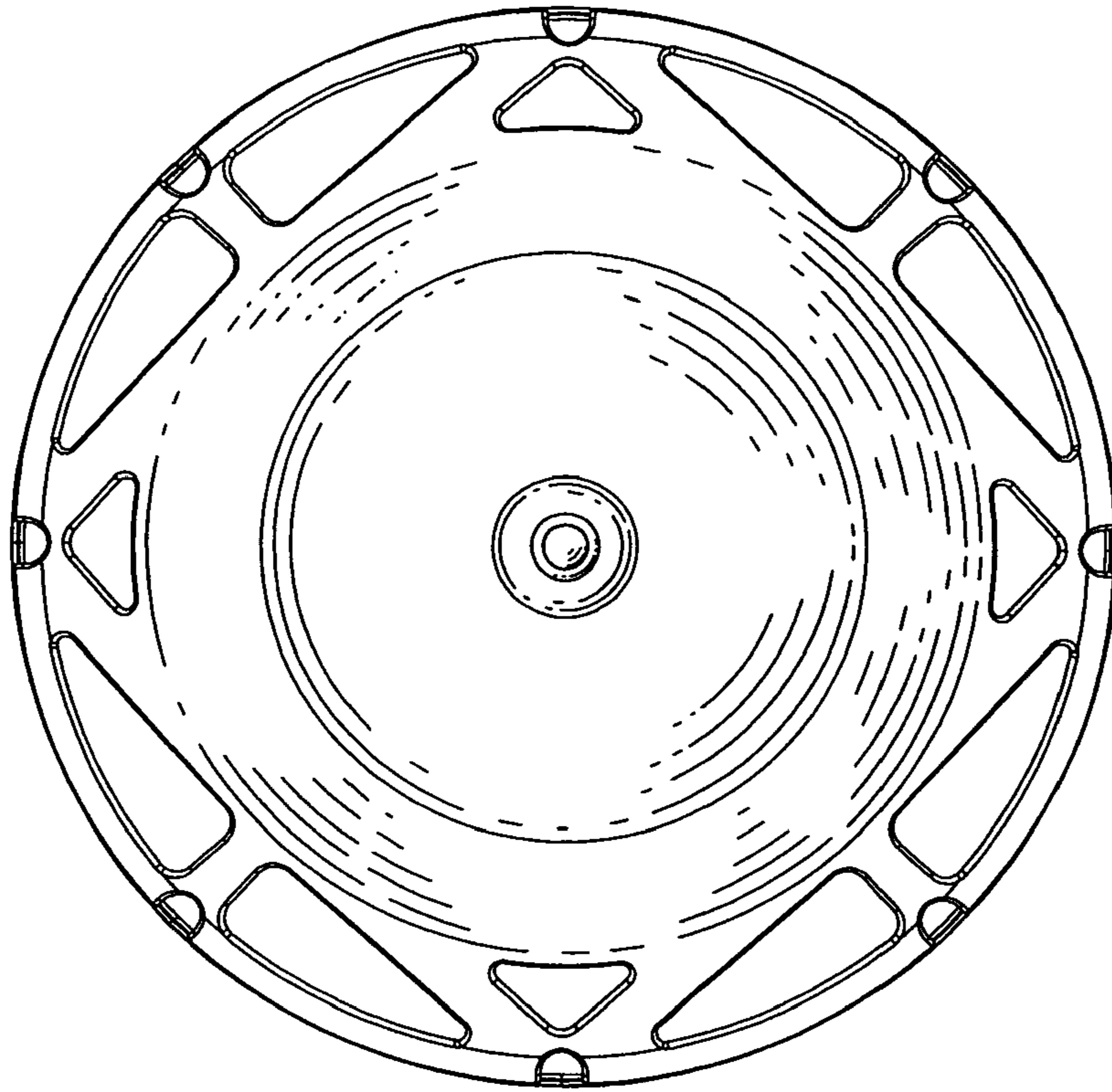


FIG. 6

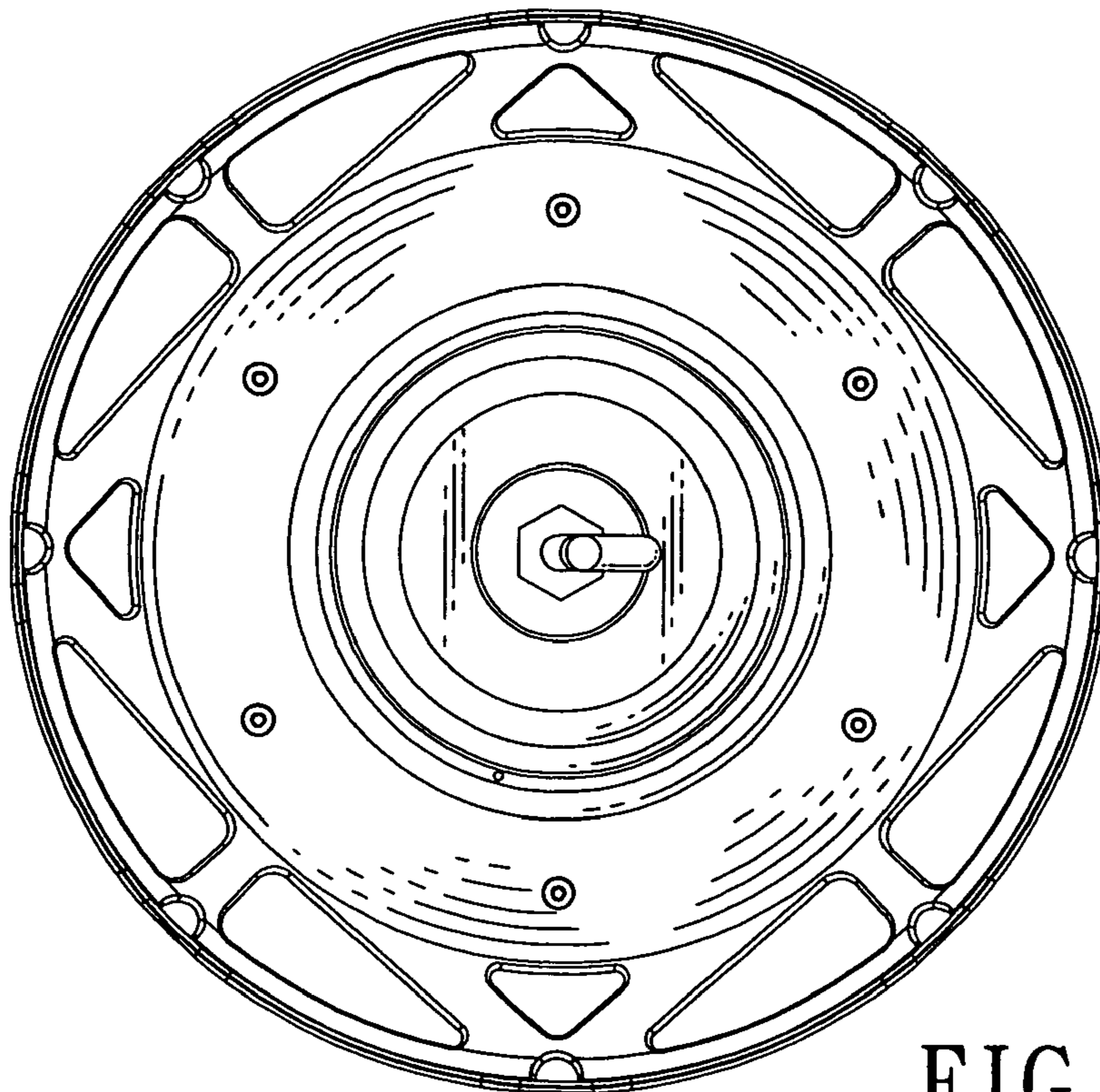


FIG. 7