



US00D556797S

(12) **United States Design Patent**
Willibald

(10) **Patent No.:** **US D556,797 S**

(45) **Date of Patent:** **** Dec. 4, 2007**

(54) **CUTTING BODY**

(75) Inventor: **Artur Willibald**, Überlingen (DE)

(73) Assignee: **AWHI Maschinenbau GmbH** (DE)

(**) Term: **14 Years**

(21) Appl. No.: **29/269,825**

(22) Filed: **Dec. 8, 2006**

(51) **LOC (8) Cl.** **15-09**

(52) **U.S. Cl.** **D15/139**

(58) **Field of Classification Search** D15/122,
D15/123, 124, 131, 138, 139, 140, 141; 241/73,
241/74, 189.1, 193-197, 294, 300; 407/112-119
See application file for complete search history.

(56) **References Cited**

U.S. PATENT DOCUMENTS

| | | | | |
|-------------------|---------|-------------------|-------|-----------|
| D281,432 S * | 11/1985 | Tuomaala | | D15/139 |
| 5,439,327 A * | 8/1995 | Wertheim | | 407/11 |
| 5,513,485 A * | 5/1996 | Hashimoto et al. | | 56/294 |
| 5,623,979 A * | 4/1997 | Bowling | | 144/241 |
| 2004/0177892 A1 * | 9/2004 | Crittenden et al. | | 140/123.6 |

* cited by examiner

Primary Examiner—Antoine D. Davis

Assistant Examiner—Patricia Palasik

(74) *Attorney, Agent, or Firm*—Bachman & LaPointe, P.C.

(57) **CLAIM**

The ornamental design for a cutting body, as shown.

DESCRIPTION

FIG. 1 shows a perspective plan view of a cutting body according to the invention;

FIG. 2 shows a perspective bottom view of the cutting body of the present invention;

FIG. 3 shows a plan view of the cutting body of the present invention;

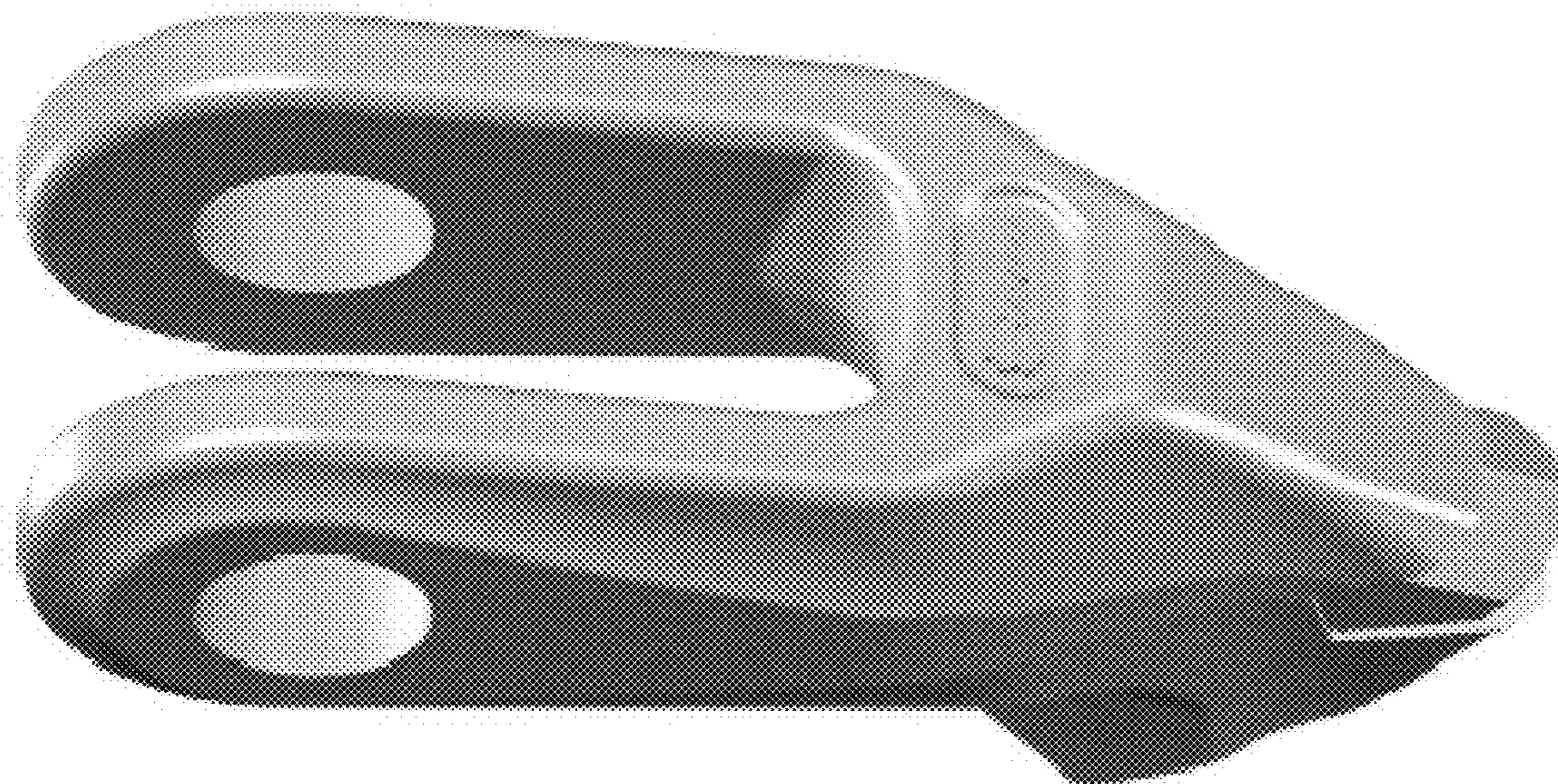
FIG. 4 shows a bottom view of the cutting body of the present invention;

FIG. 5 is a side view of the cutting body of the present invention;

FIG. 6 is a front view of the cutting body of the present invention; and,

FIG. 7 shows a rear view of the cutting body of the present invention.

1 Claim, 3 Drawing Sheets



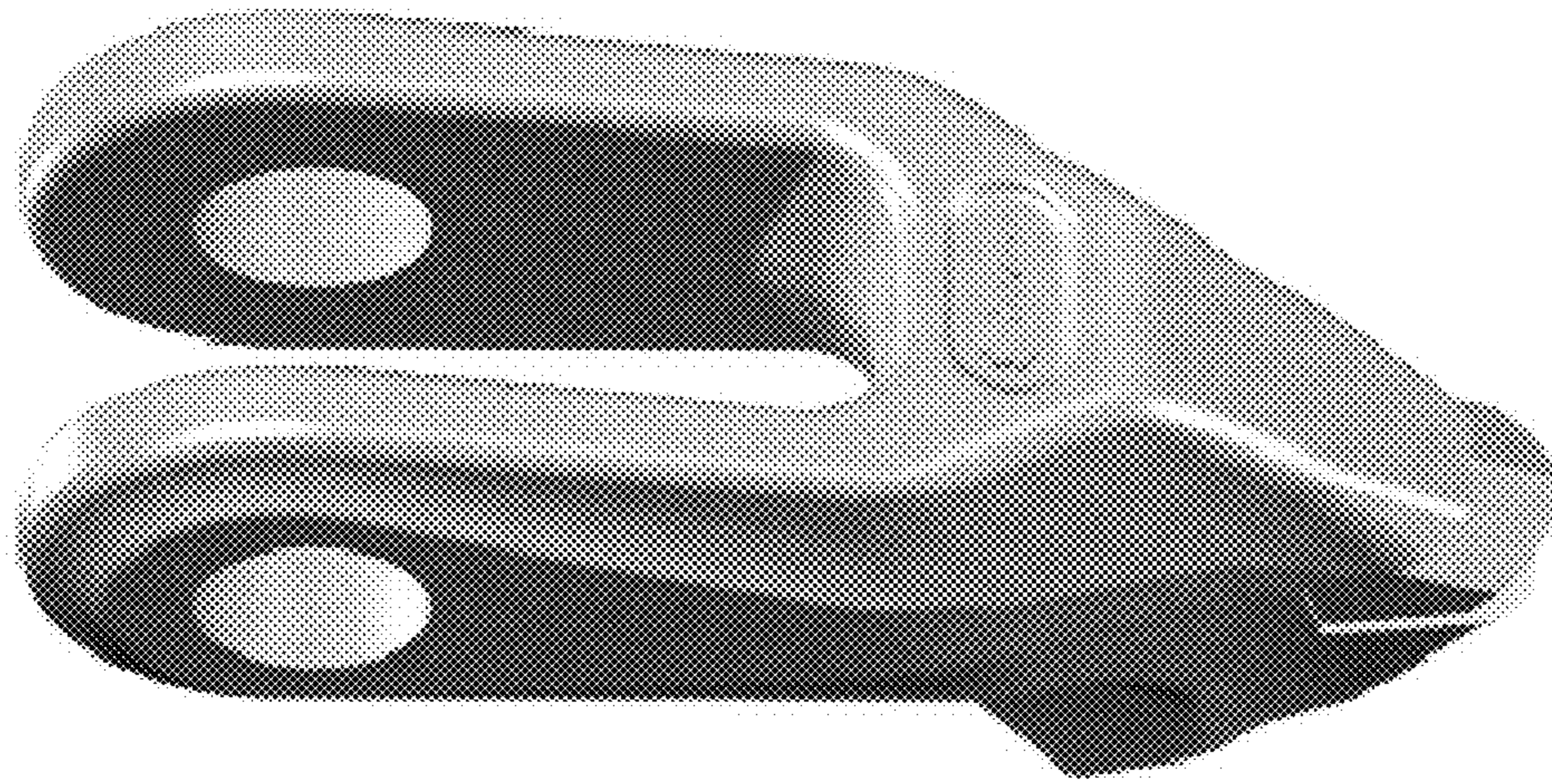


FIG. 1

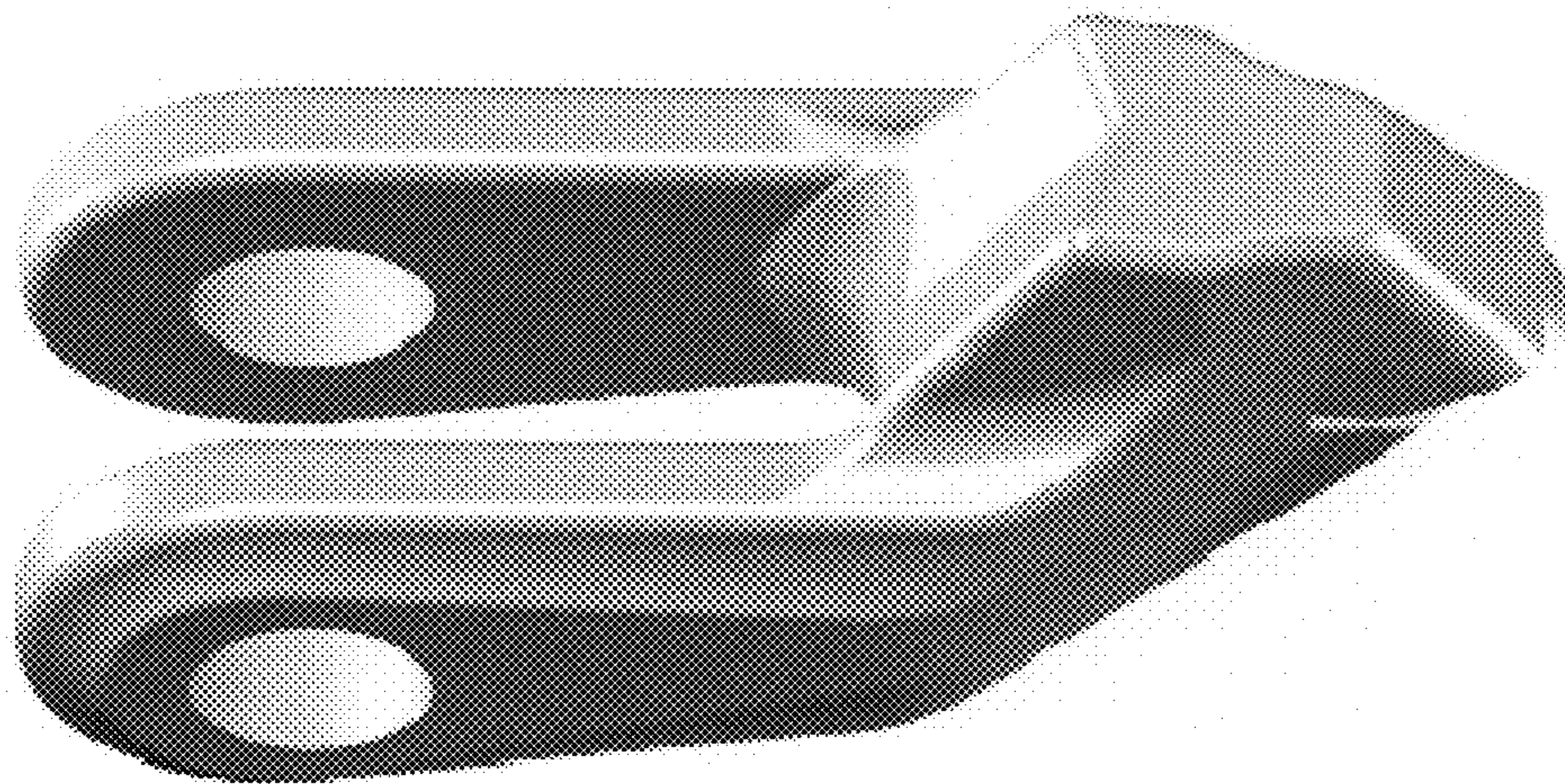


FIG. 2

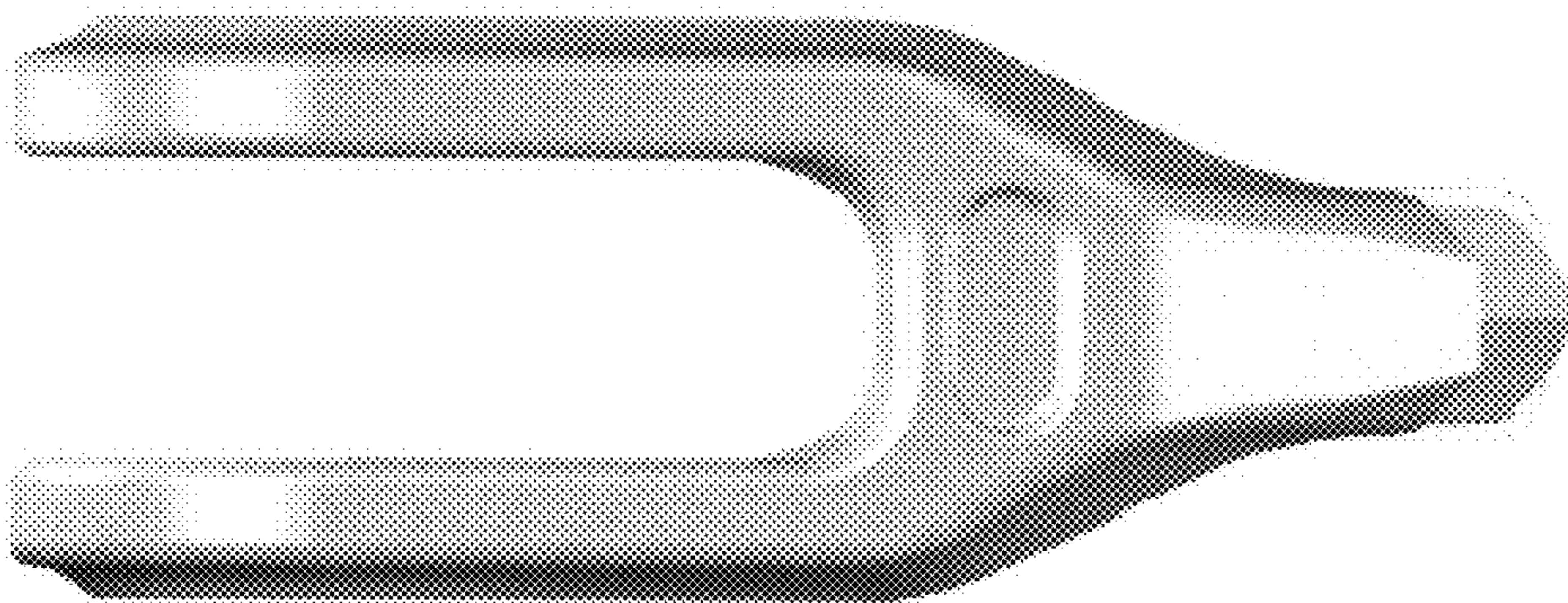


FIG. 3

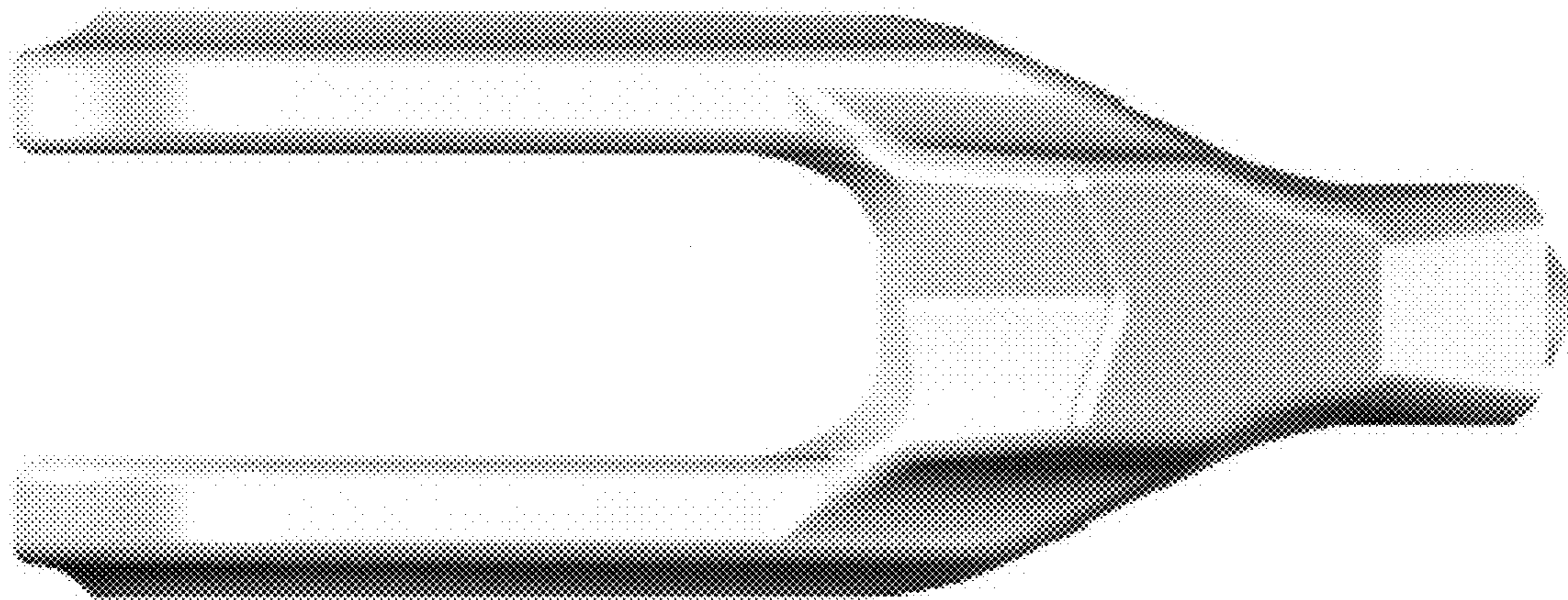


FIG. 4

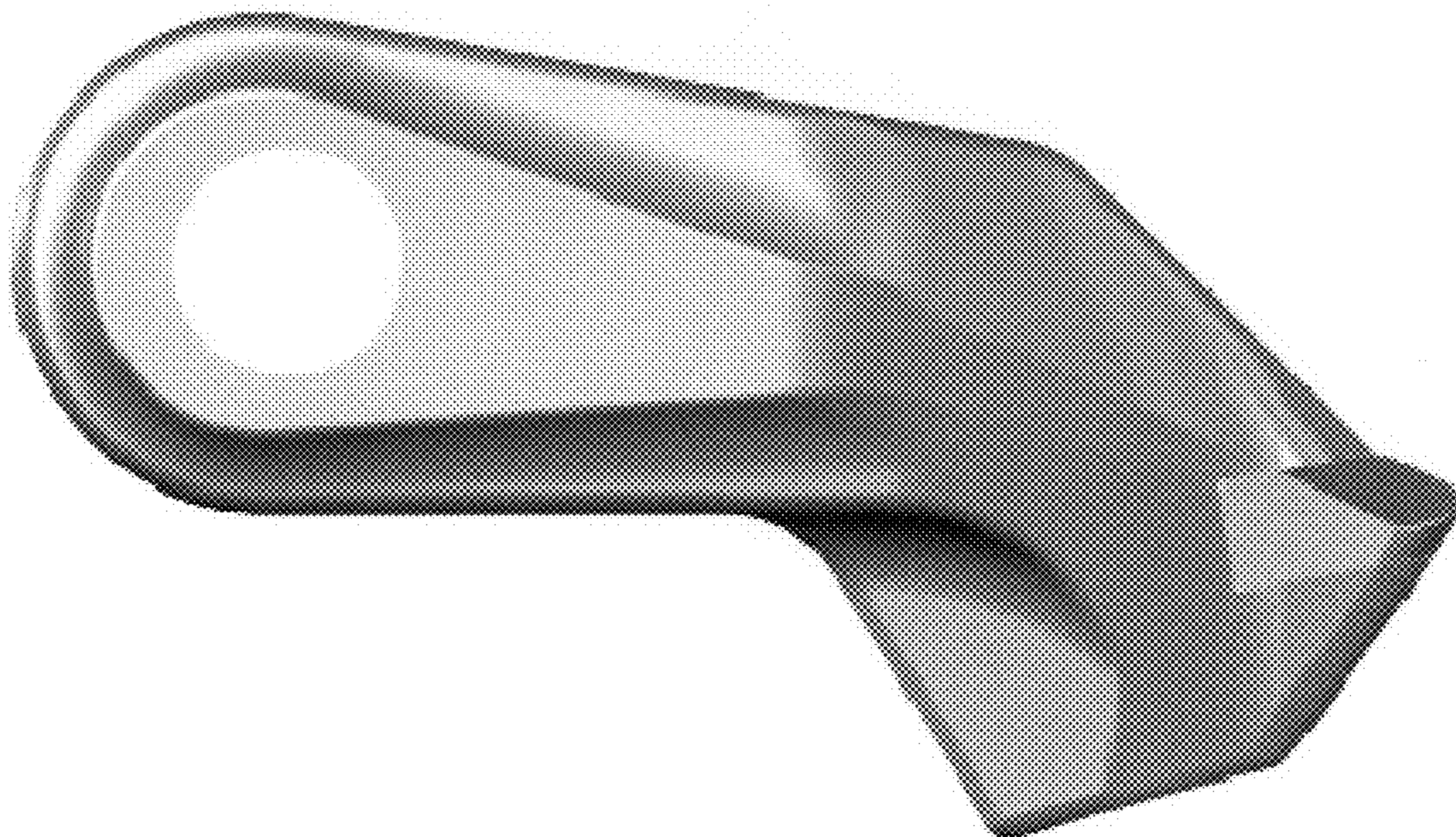


FIG. 5

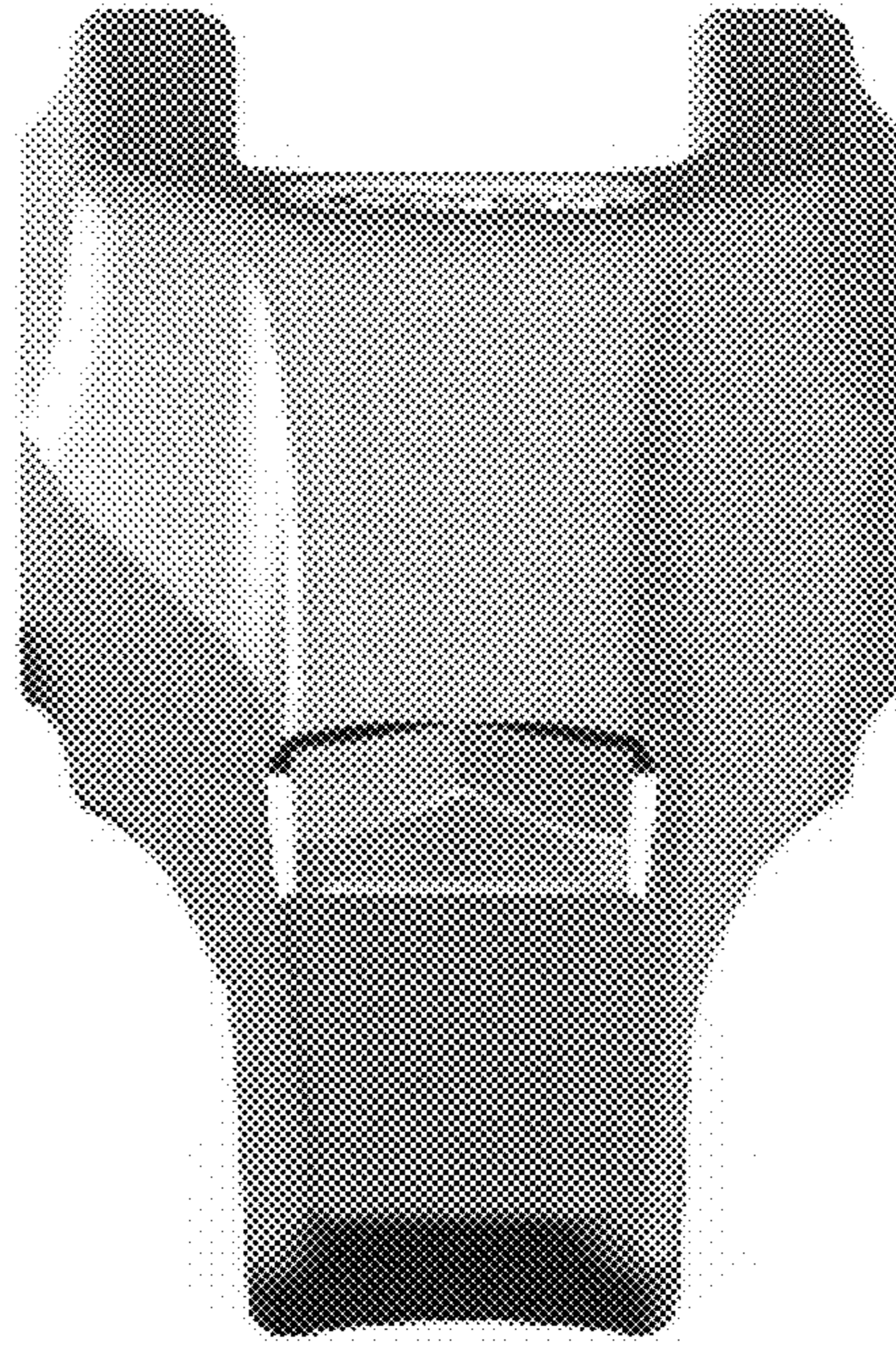


FIG. 6

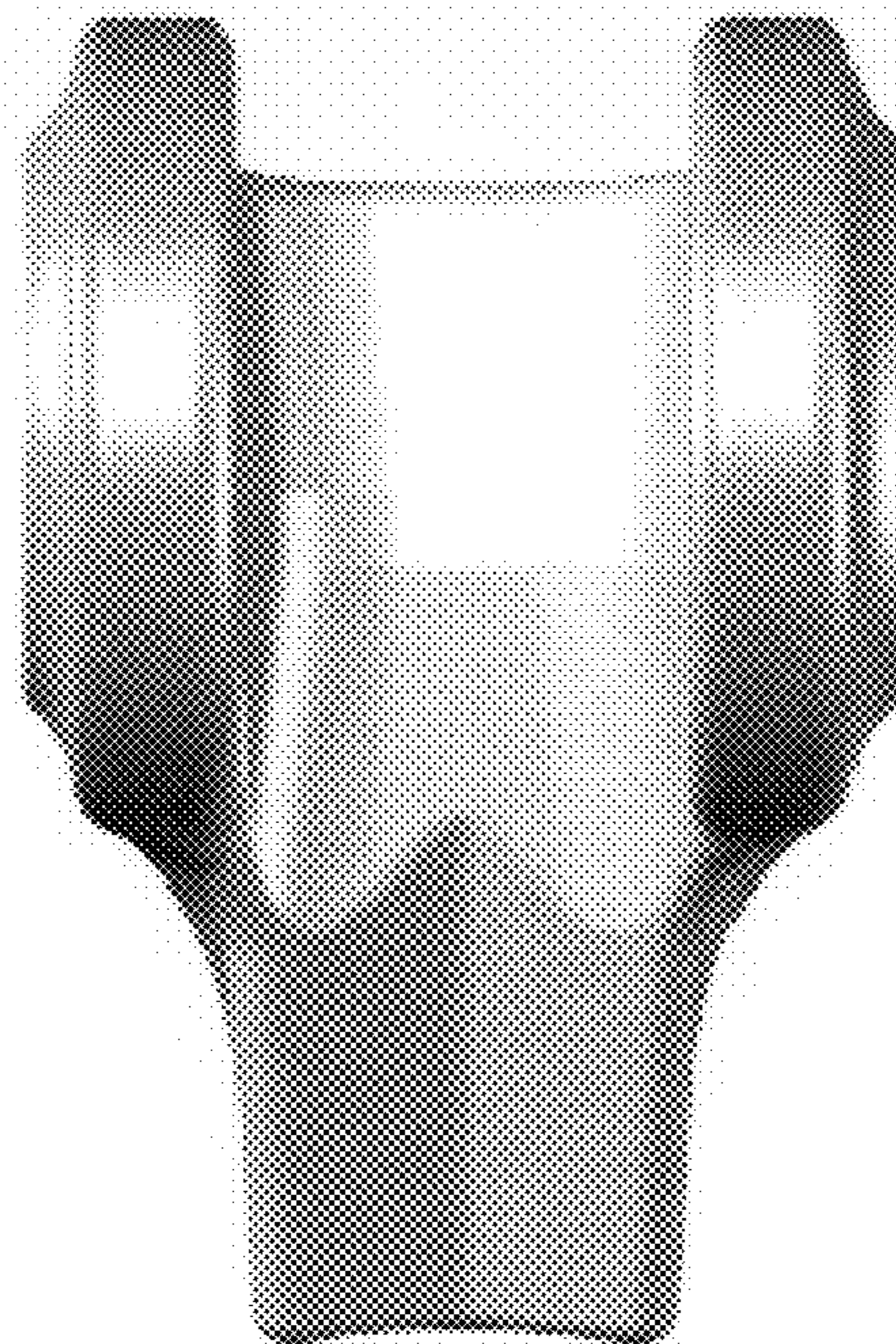


FIG. 7