

US00D556796S

(12) **United States Design Patent**  
**Wright**

(10) **Patent No.:** **US D556,796 S**

(45) **Date of Patent:** **\*\* Dec. 4, 2007**

(54) **SAW**  
(75) **Inventor:** **Stuart J. Wright**, Timonium, MD (US)  
(73) **Assignee:** **Black & Decker Inc.**, Newark, DE (US)

D391,973 S \* 3/1998 Price et al. .... D15/133  
D421,267 S \* 2/2000 Price et al. .... D15/133  
D454,577 S \* 3/2002 Meredith et al. .... D15/133  
D532,801 S \* 11/2006 Wright ..... D15/133  
2004/0074363 A1 \* 4/2004 Svetlik et al. .... 83/581

(\*\*) **Term:** **14 Years**

\* cited by examiner

(21) **Appl. No.:** **29/248,783**

*Primary Examiner*—Antoine D. Davis

*Assistant Examiner*—Patricia Palasik

(22) **Filed:** **Sep. 1, 2006**

(74) *Attorney, Agent, or Firm*—Adan Ayala

**Related U.S. Application Data**

(57) **CLAIM**

(63) Continuation of application No. 29/252,975, filed on Jan. 31, 2006, now Pat. No. Des. 532,801.

The ornamental design for a portions of a saw, as shown and described.

(51) **LOC (8) Cl.** ..... **15-09**

(52) **U.S. Cl.** ..... **D15/133**

(58) **Field of Classification Search** ..... D8/64, D8/67, 68, 69; D15/133; 30/377-378, 388-391, 30/473, 477, 490, 517-525; 83/471.2-471.3, 83/472, 477.1-477.2, 581

**DESCRIPTION**

FIG. 1 is a perspective view of portions of a saw according to the invention.

FIG. 2 is a front elevational view thereof; and,

FIG. 3 is a left elevational view thereof.

See application file for complete search history.

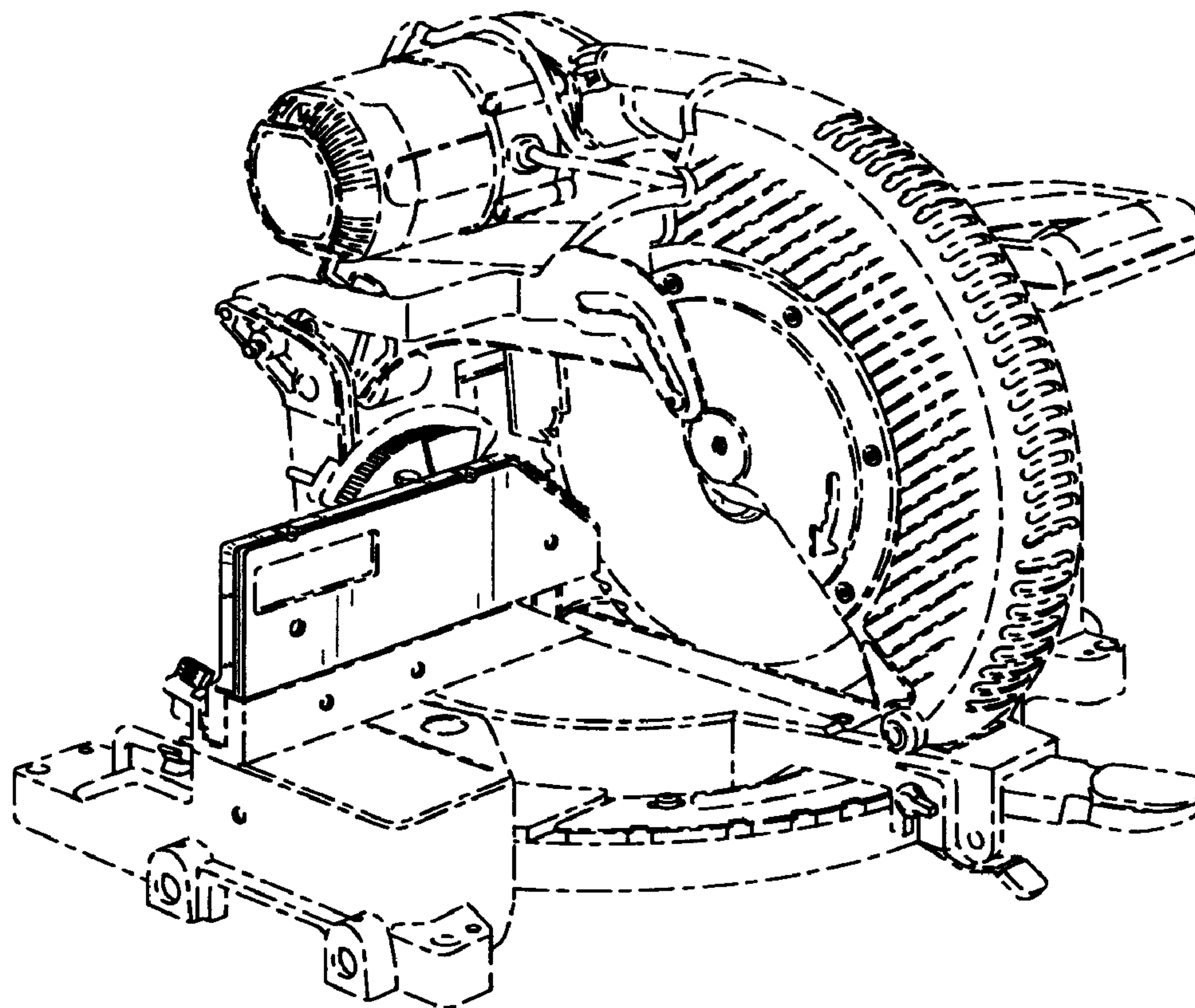
The broken line showing of a saw is for illustrative purposes only and forms no part of the claimed design.

(56) **References Cited**

**U.S. PATENT DOCUMENTS**

D306,031 S \* 2/1990 Ushiwata et al. .... D15/133

**1 Claim, 3 Drawing Sheets**



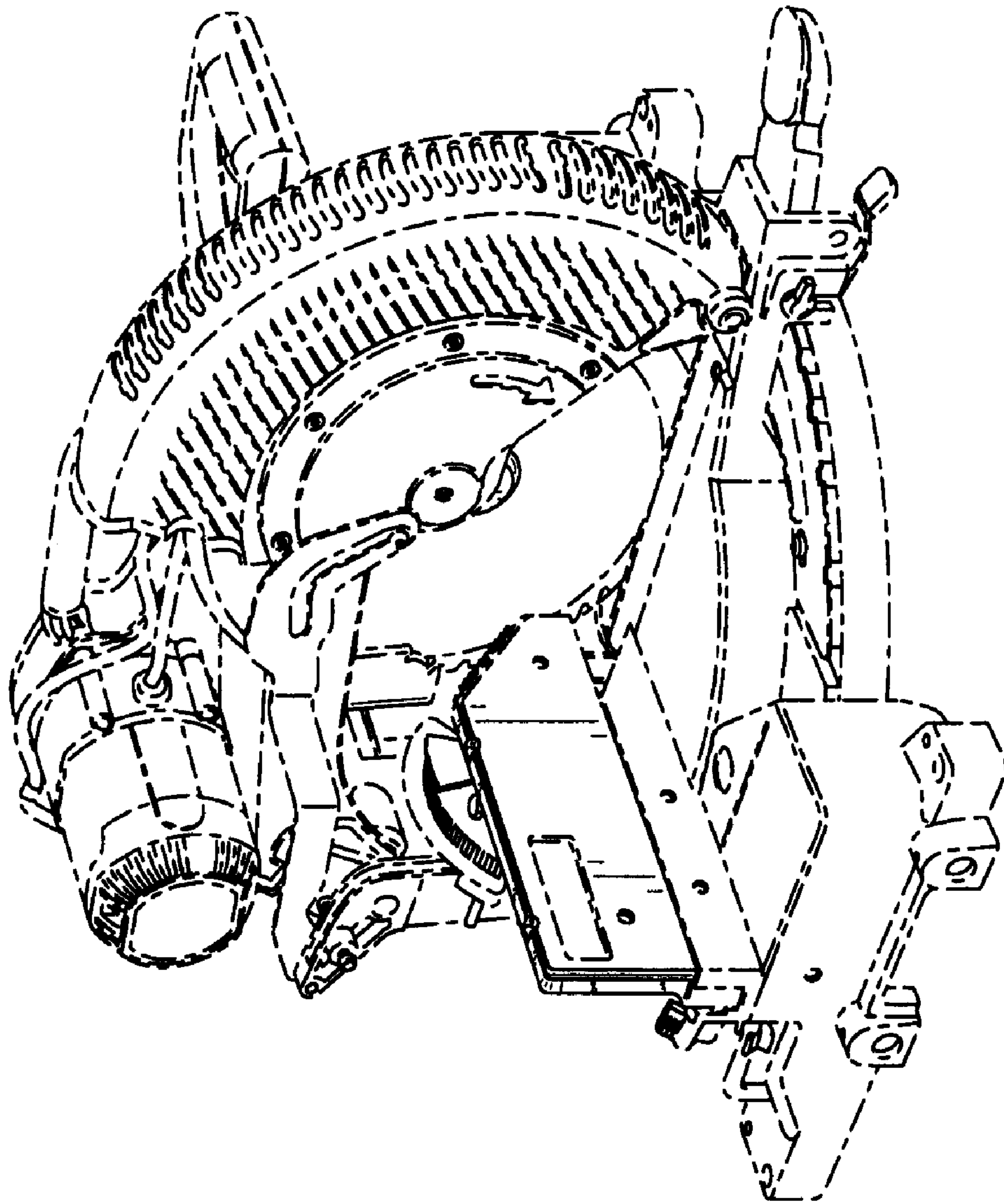


FIG. 1

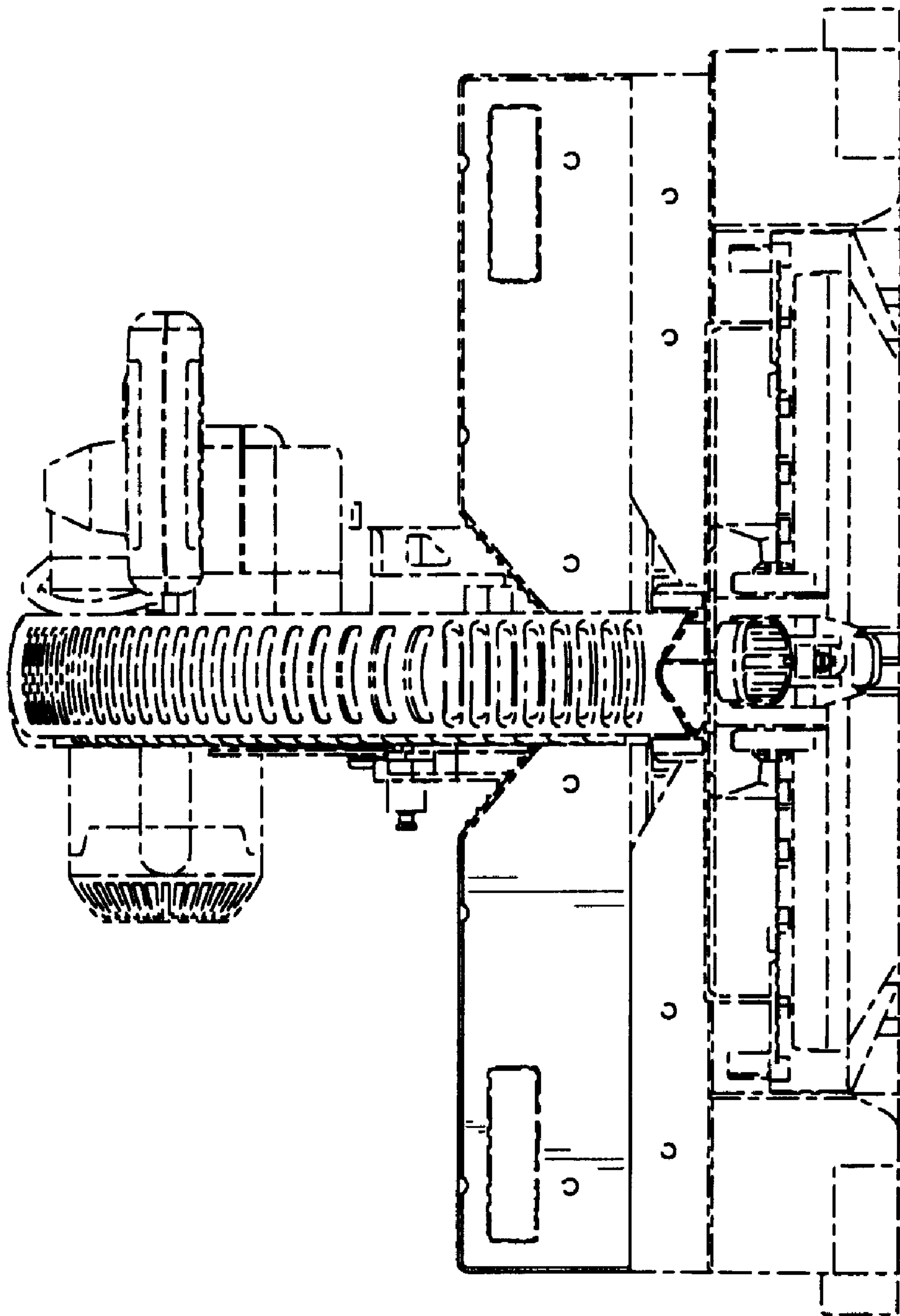


FIG. 2

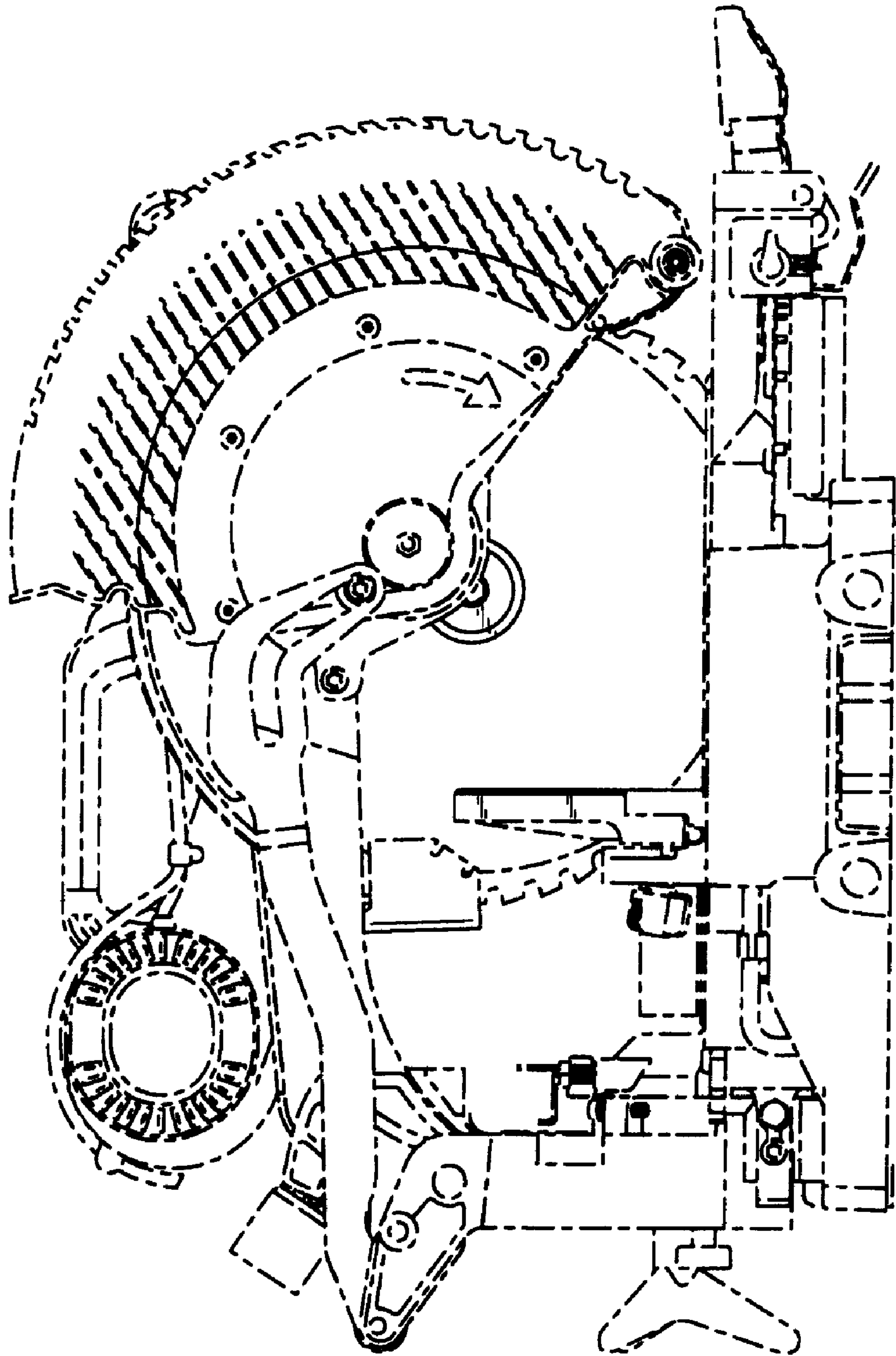


FIG. 3