



US00D556795S

(12) **United States Design Patent** (10) **Patent No.:** **US D556,795 S**  
**Bee** (45) **Date of Patent:** **\*\* Dec. 4, 2007**

(54) **SORTING APPARATUS**

(75) Inventor: **Sarah Bee**, London (GB)

(73) Assignee: **Sortex Ltd.**, London (GB)

(\*\*) Term: **14 Years**

(21) Appl. No.: **29/251,000**

(22) Filed: **Dec. 8, 2006**

(30) **Foreign Application Priority Data**

Jun. 9, 2006 (EP) ..... 000541255

(51) **LOC (8) Cl.** ..... **15-09**

(52) **U.S. Cl.** ..... **D15/122**

(58) **Field of Classification Search** ..... D15/122,  
D15/131, 147, 199; 209/233–235, 260, 509,  
209/606, 641, 642, 680, 693, 696, 699, 707,  
209/910, 911, 940

See application file for complete search history.

(56) **References Cited**

**U.S. PATENT DOCUMENTS**

67,130 A \* 7/1867 Merrill ..... 209/641  
2,549,316 A \* 4/1951 Kremer et al. .... 209/539  
2,615,567 A \* 10/1952 Campbell ..... 209/680  
2,788,124 A \* 4/1957 Miller ..... 209/693  
3,482,686 A \* 12/1969 Wood ..... 209/587  
4,140,630 A \* 2/1979 Scarlett et al. .... 209/313

RE31,169 E \* 3/1983 Holmes ..... 209/699  
5,335,784 A \* 8/1994 Tyler ..... 209/260  
5,469,972 A \* 11/1995 St-Pierre et al. .... 209/245  
6,252,188 B1 \* 6/2001 Zapata et al. .... 209/577  
2004/0142486 A1 \* 7/2004 Weselak et al. .... 436/174

\* cited by examiner

*Primary Examiner*—Antoine D. Davis

*Assistant Examiner*—Patricia Palasik

(74) *Attorney, Agent, or Firm*—Davis Wright Tremaine LLP

(57) **CLAIM**

The ornamental design for a sorting apparatus, as shown and described.

**DESCRIPTION**

FIG. 1 is a front, top and right side isometric view of a sorting apparatus showing the new design;

FIG. 2 is a front, top and left side isometric view thereof;

FIG. 3 is a front elevational view thereof;

FIG. 4 is a left elevational view thereof;

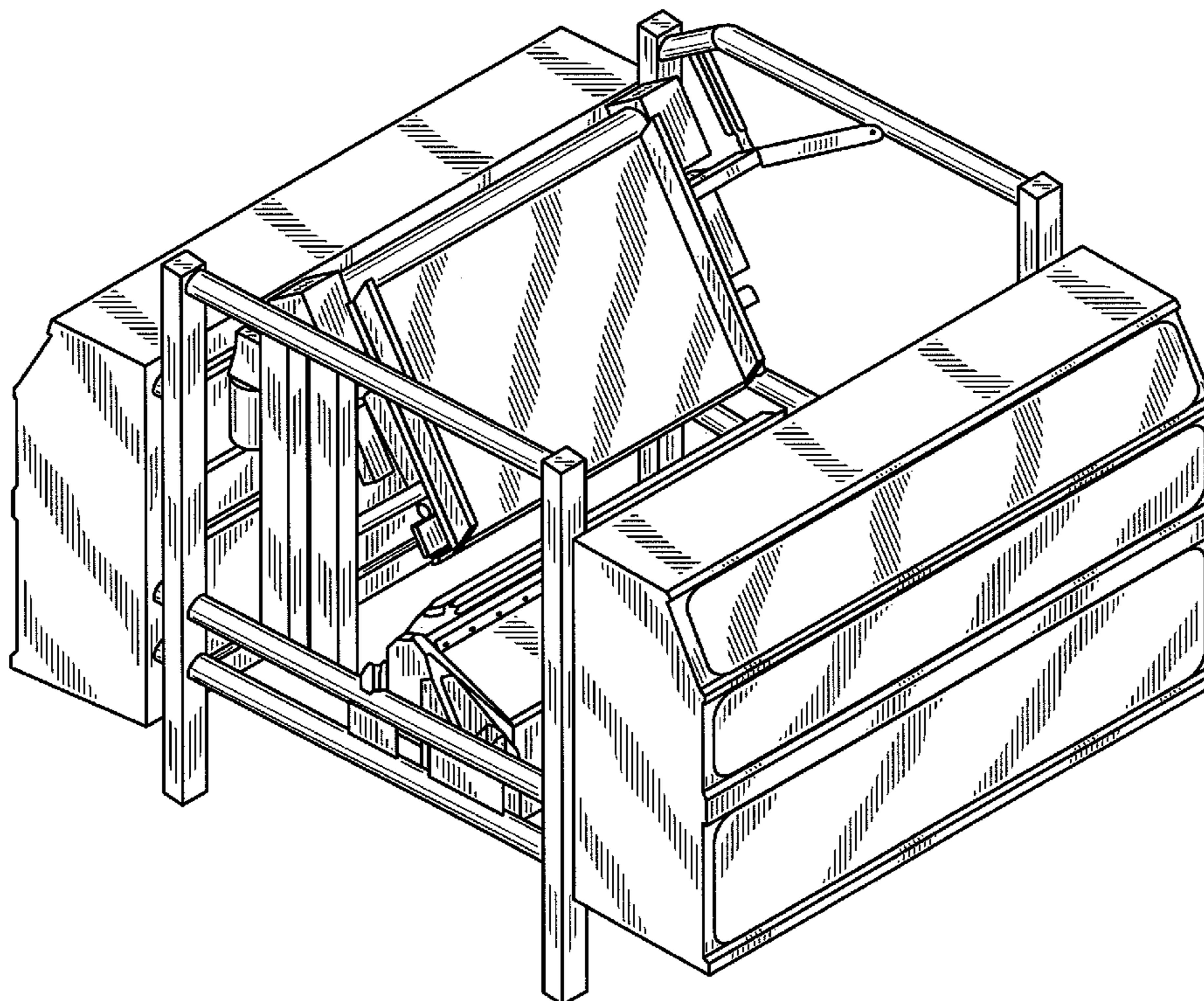
FIG. 5 is a rear elevational view thereof;

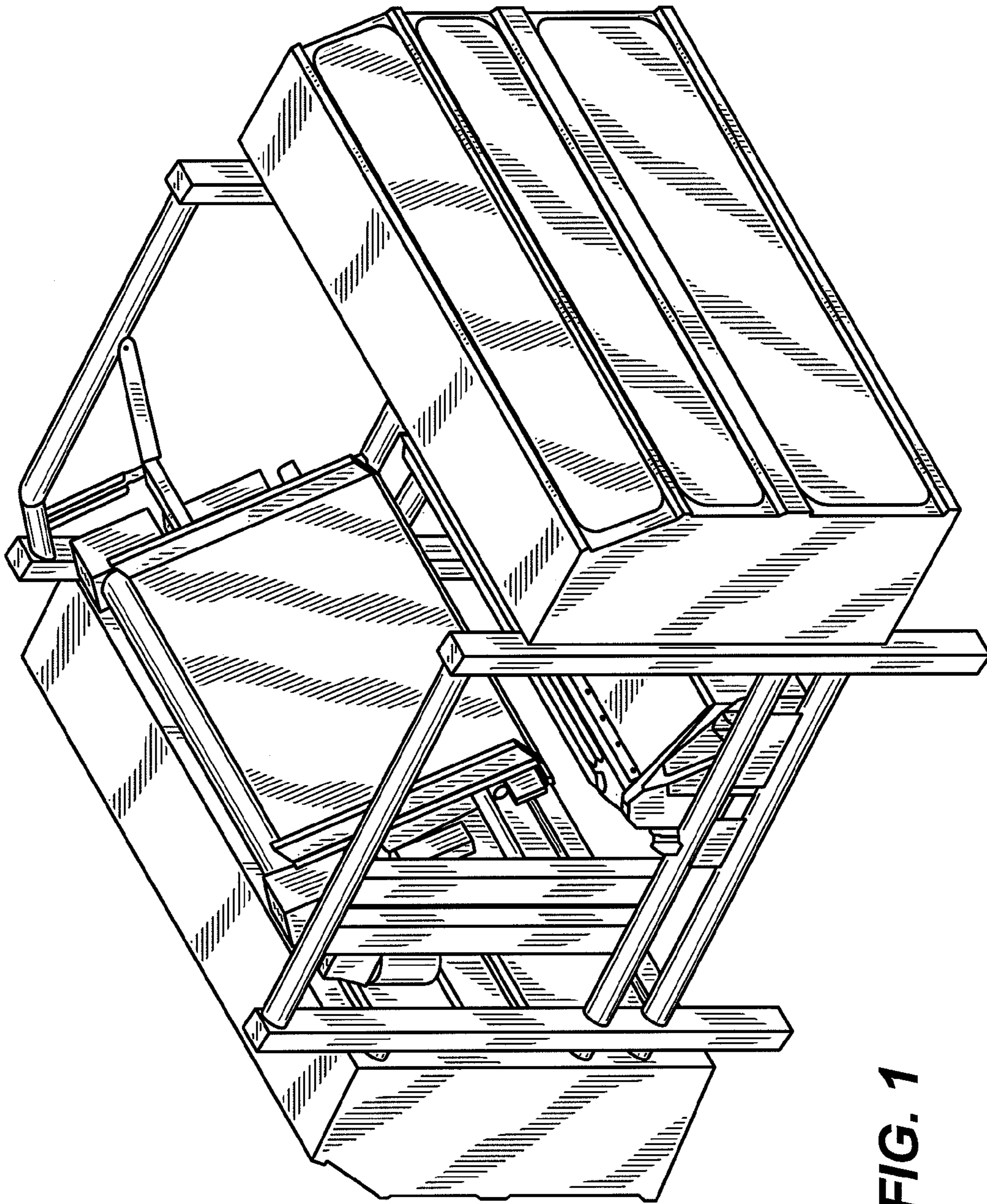
FIG. 6 is a right elevational view thereof;

FIG. 7 is a top plan view thereof; and,

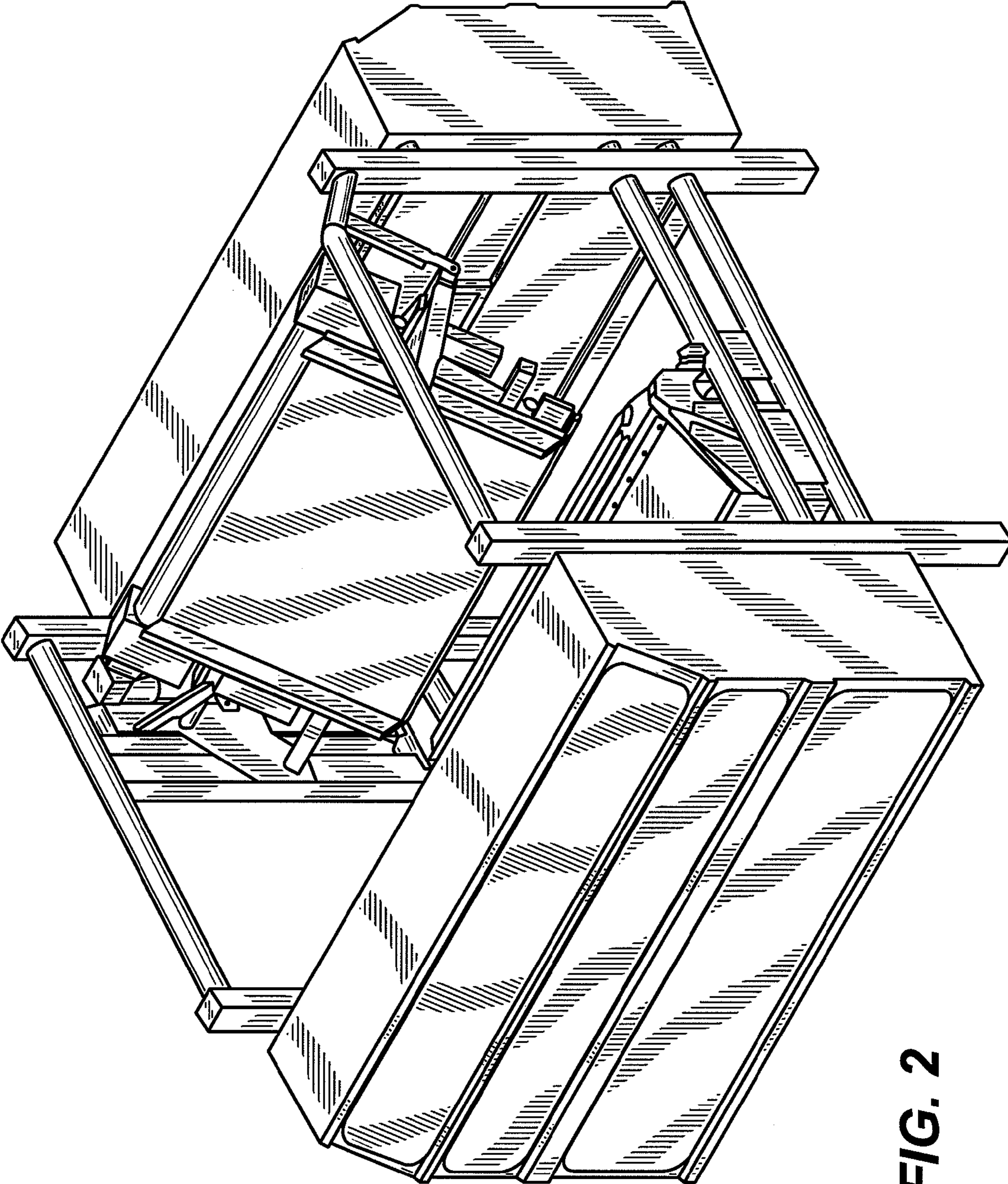
FIG. 8 is a bottom plan view thereof.

**1 Claim, 8 Drawing Sheets**

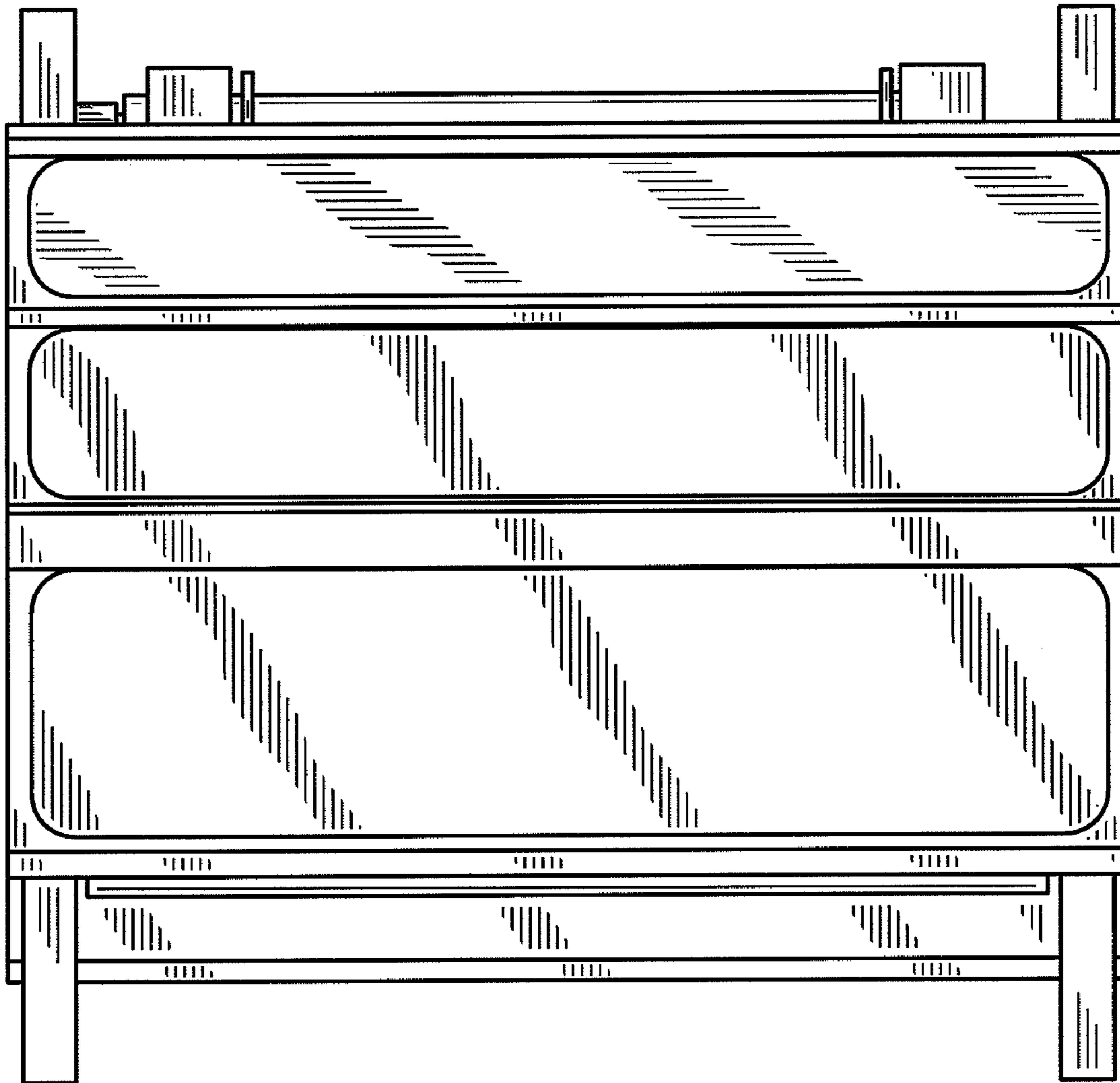




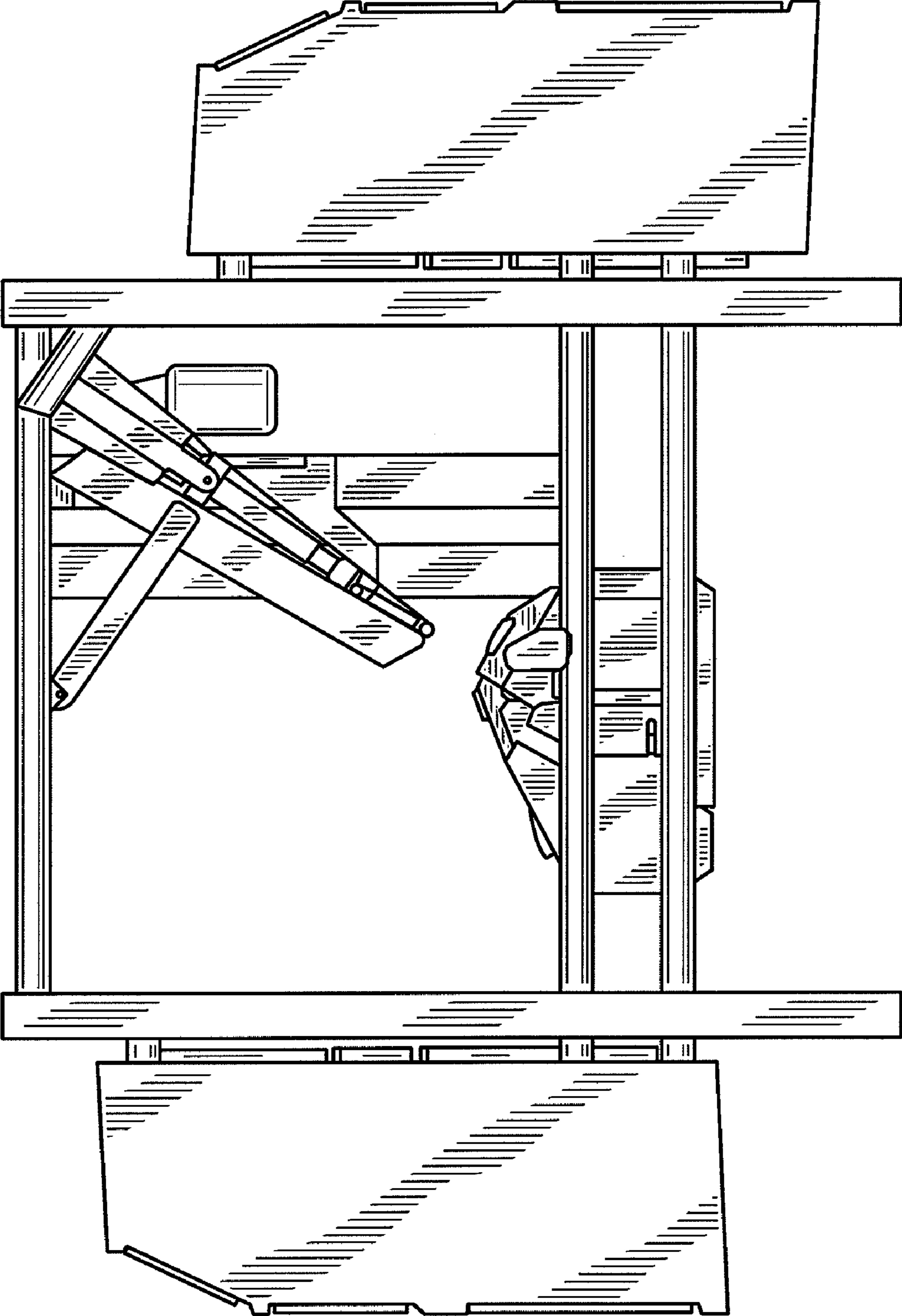
**FIG. 1**



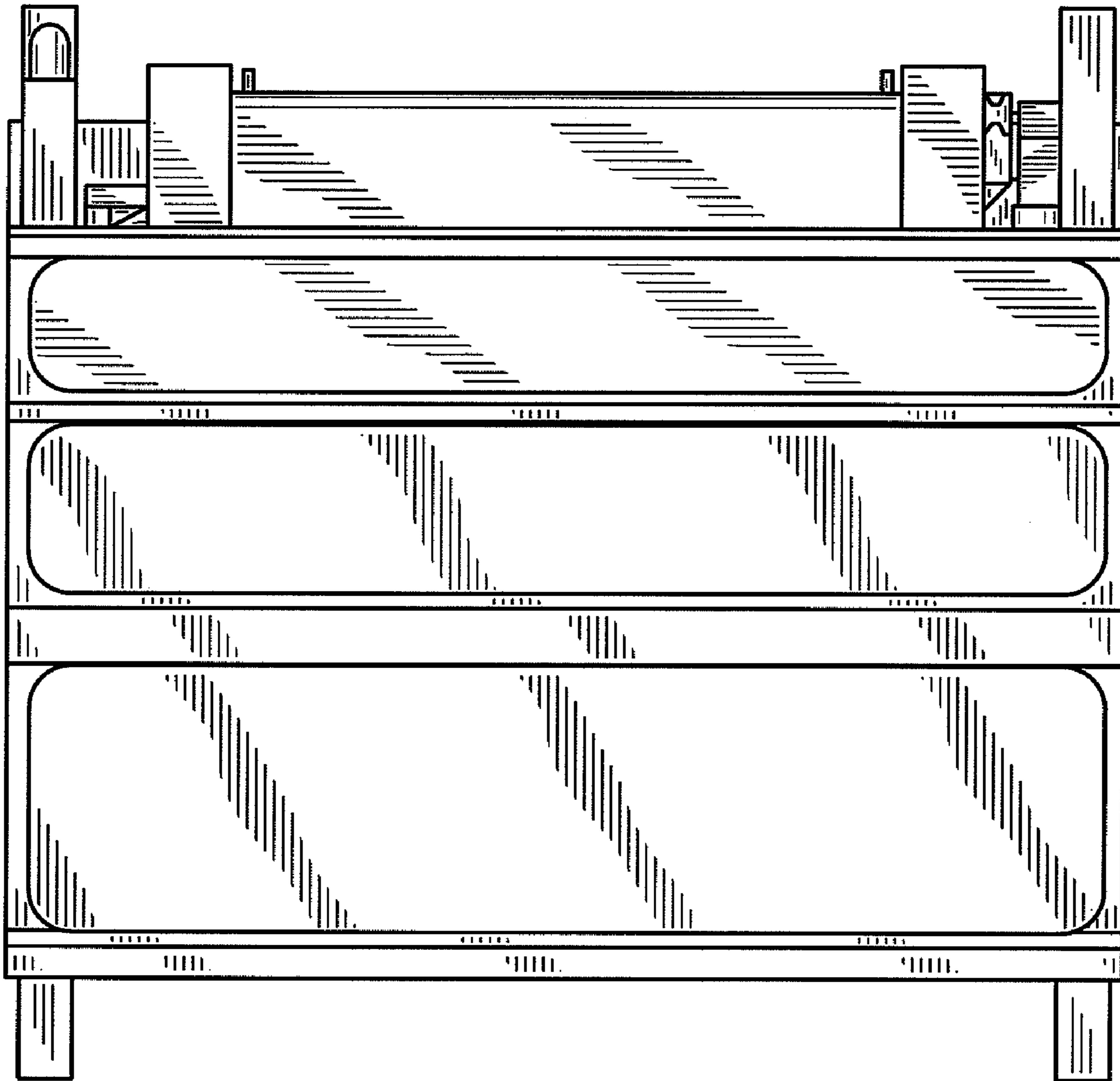
**FIG. 2**



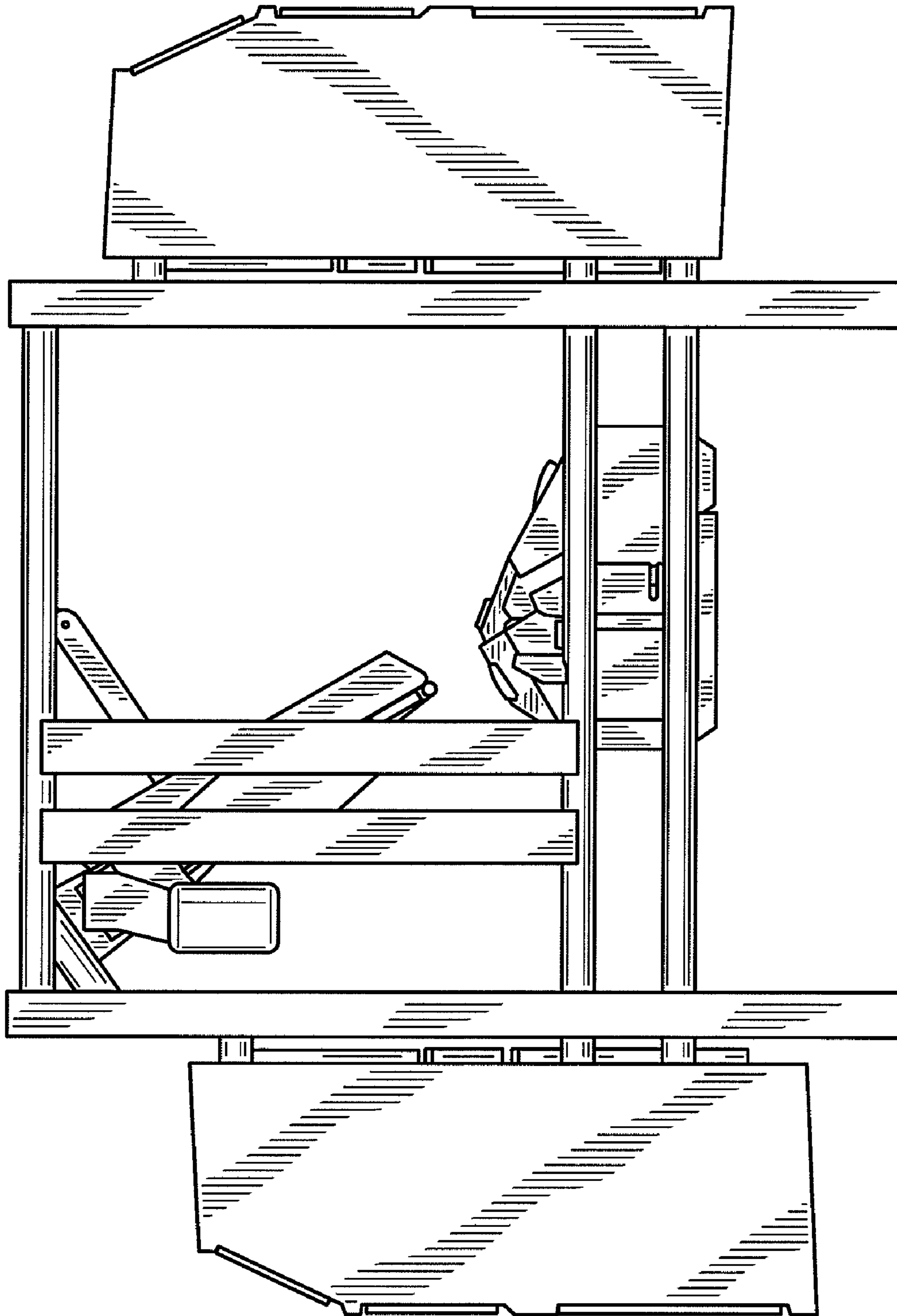
**FIG. 3**



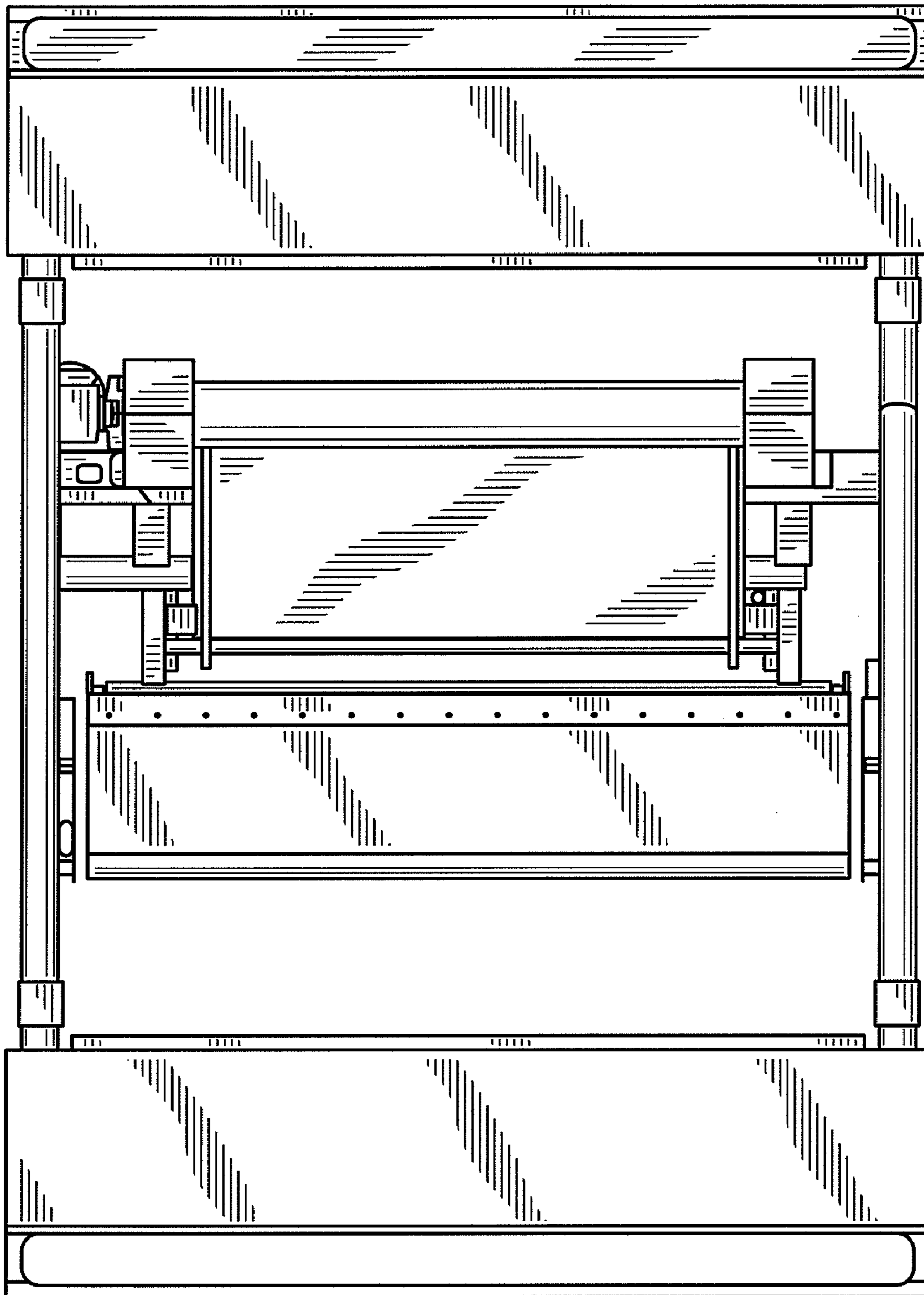
**FIG. 4**



**FIG. 5**

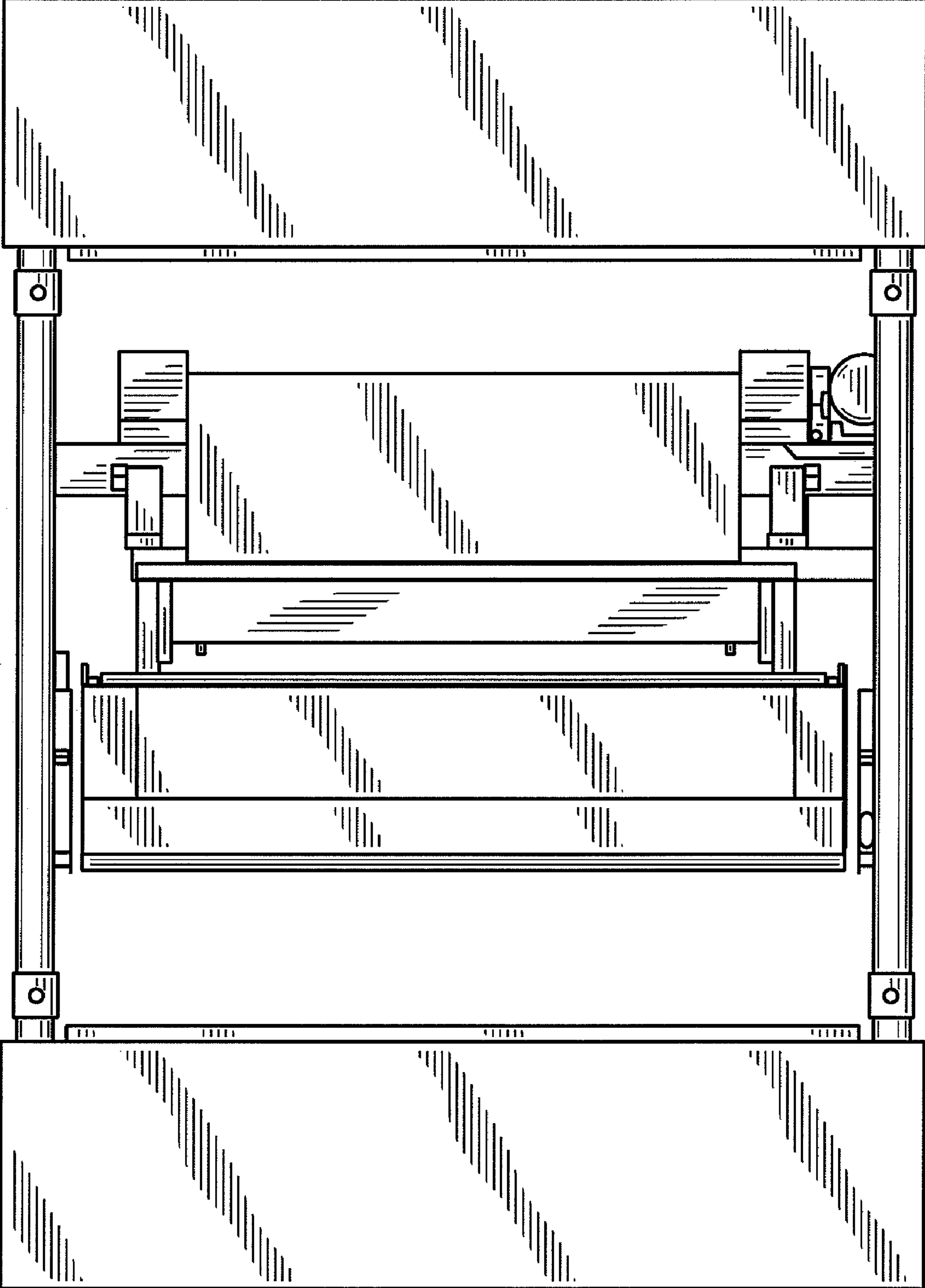


**FIG. 6**



**FIG. 7**





**FIG. 8**