



US00D556793S

(12) **United States Design Patent**
Braun et al.

(10) **Patent No.:** **US D556,793 S**

(45) **Date of Patent:** **** Dec. 4, 2007**

(54) **GRILLE**

D520,533 S * 5/2006 Reese et al. D15/89

(75) Inventors: **Joseph E. Braun**, Milwaukee, WI
(US); **Jack L. Vaughn**, Muskego, WI
(US)

* cited by examiner

Primary Examiner—Stella M. Reid

Assistant Examiner—Shanda C. Hill

(73) Assignee: **U-Line Corporation**, Milwaukee, WI
(US)

(74) *Attorney, Agent, or Firm*—Quarles & Brady LLP

(**) Term: **14 Years**

(57) **CLAIM**

The ornamental design for a grille, as shown and described.

(21) Appl. No.: **29/248,706**

DESCRIPTION

(22) Filed: **Aug. 29, 2006**

In a preferred embodiment, the nature of this product is as grille for a cooling unit, such as a compact refrigerator, freezer, beverage cooler, ice maker, combinations thereof and the like.

(51) **LOC (8) Cl.** **15-07**

(52) **U.S. Cl.** **D15/89**

(58) **Field of Classification Search** D15/79-89,
D15/91, 31; D14/219; D6/470, 472, 509;
D7/387, 409; D12/163, 216; D23/335, 381,
D23/382

FIG. 1 is a right, top, front perspective view of a grille according to our new design;

FIG. 2 is a top plan view thereof;

FIG. 3 is a front elevational thereof;

See application file for complete search history.

FIG. 4 is a right side elevational view thereof, the left side elevational view thereof being a mirror image of the right side shown;

FIG. 5 is a bottom plan view thereof; and,

FIG. 6 is rear elevational view thereof.

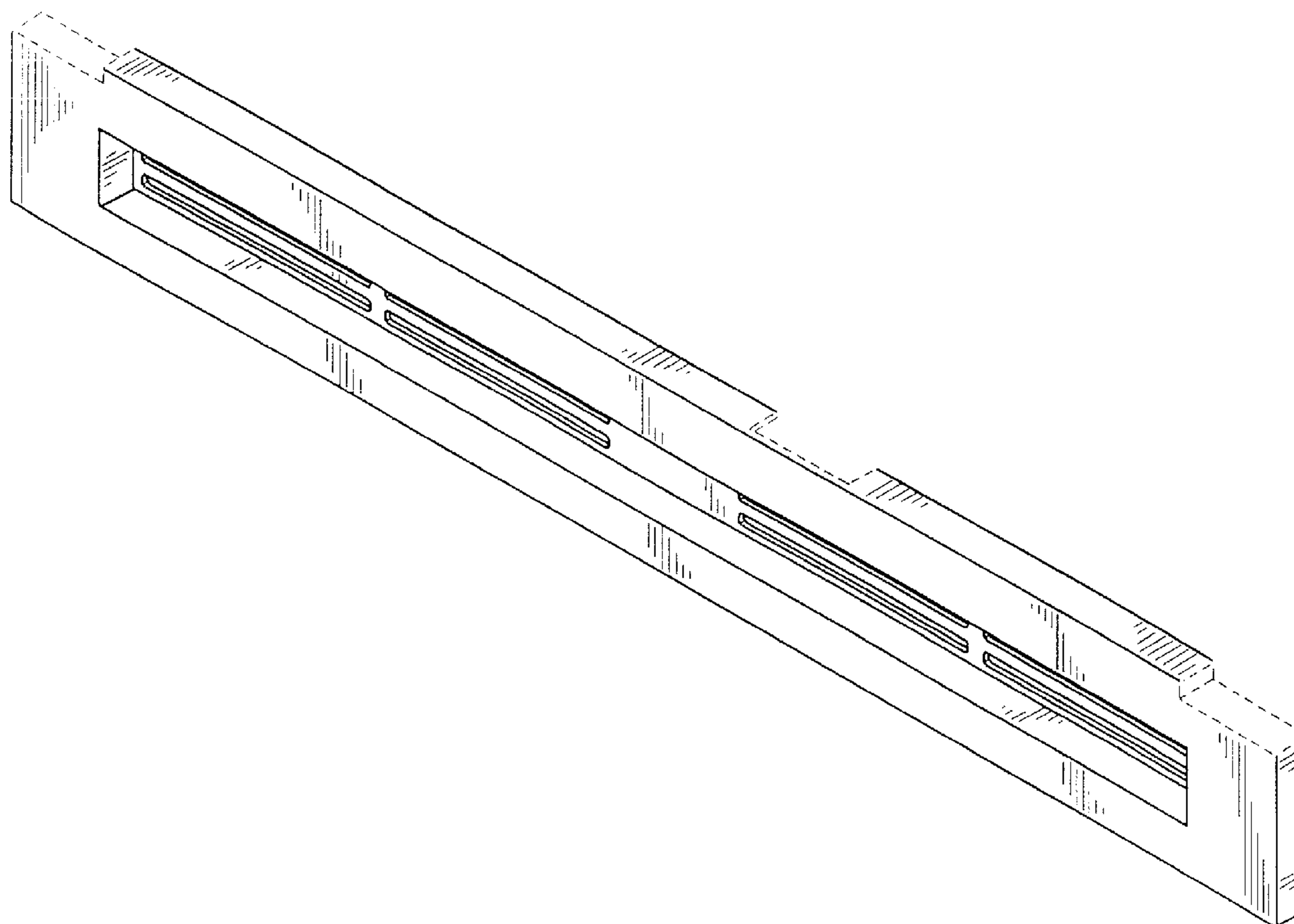
(56) **References Cited**

U.S. PATENT DOCUMENTS

- 4,932,224 A * 6/1990 Katterhenry et al. 62/440
- D334,201 S * 3/1993 Purkapile D15/89
- D341,598 S * 11/1993 Purkapile D15/89
- D379,467 S * 5/1997 Martin et al. D15/89
- D439,914 S * 4/2001 Trulaske, Sr. D6/509
- D518,836 S * 4/2006 Reese et al. D15/89
- D520,030 S * 5/2006 Reese et al. D15/89
- D520,532 S * 5/2006 Reese et al. D15/89

The broken line representations of in the figures are for the purpose of illustration only, and form no part of the claimed design.

1 Claim, 3 Drawing Sheets



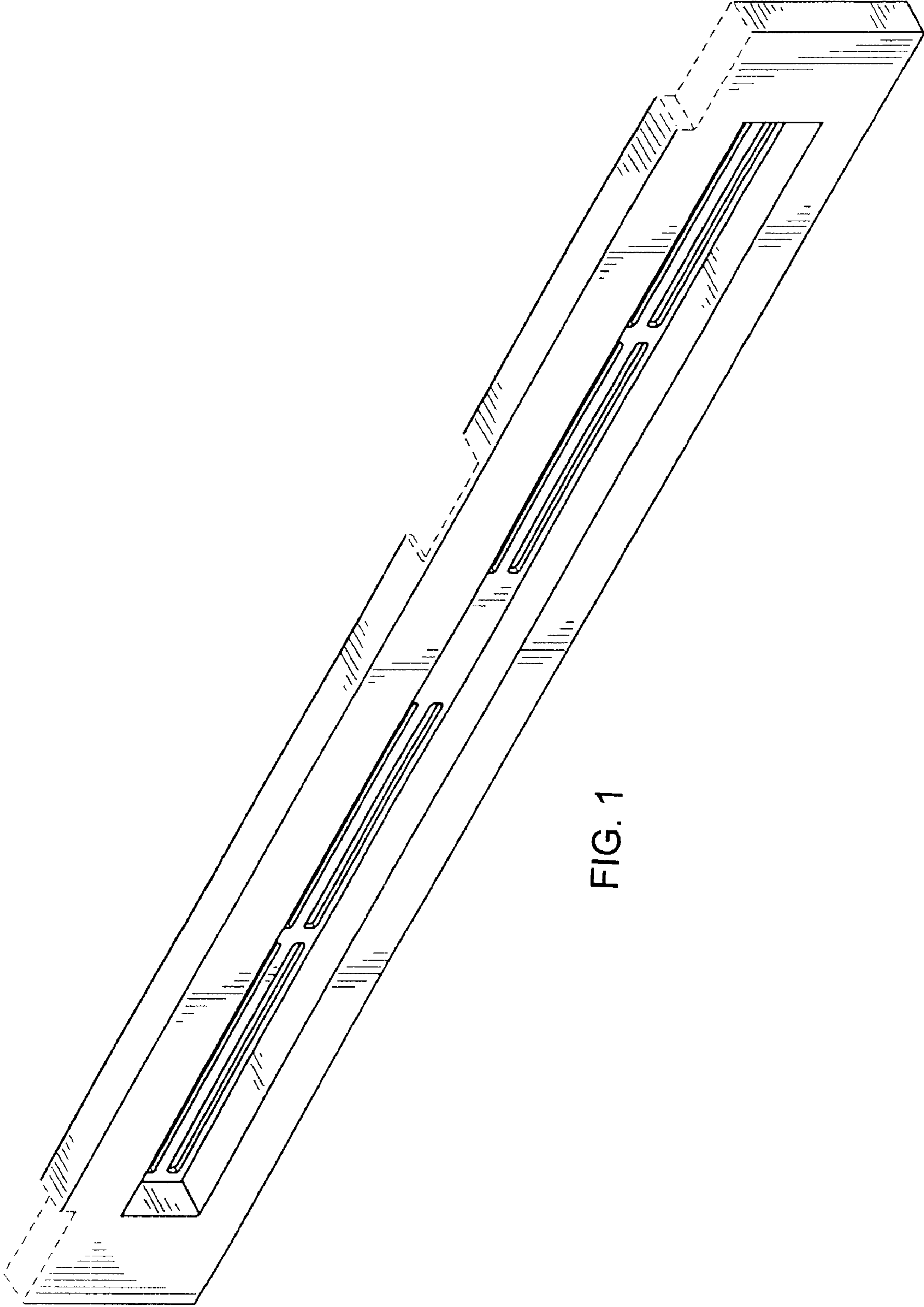


FIG. 1



FIG. 2

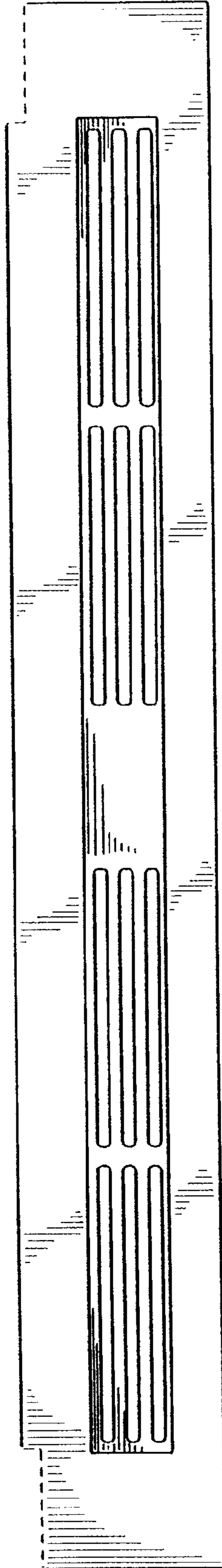


FIG. 3

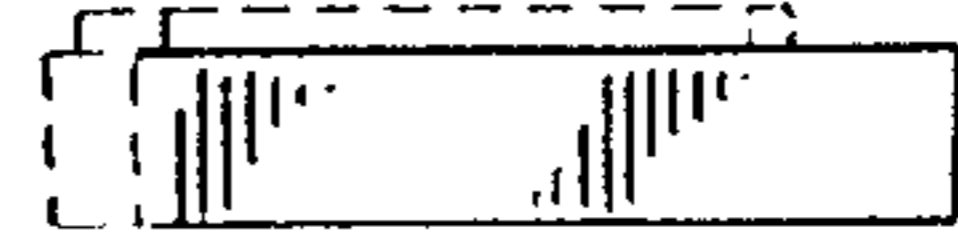


FIG. 4

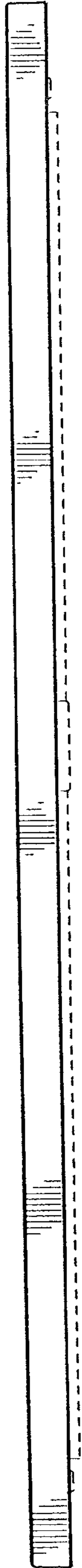


FIG. 5

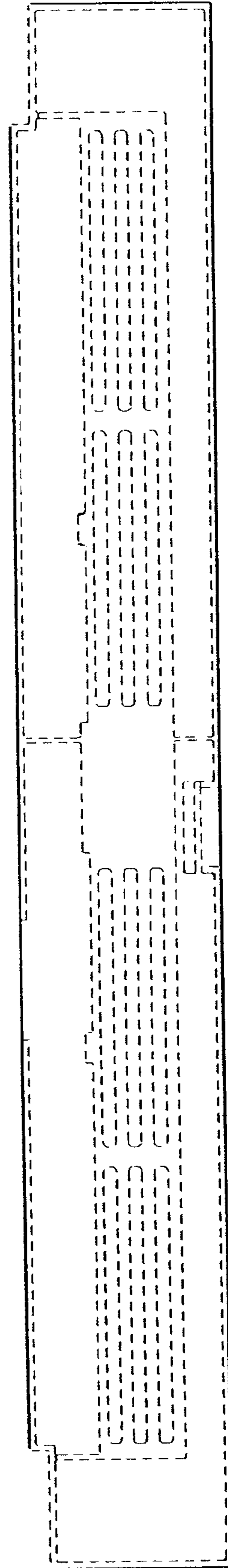


FIG. 6