



US00D556791S

(12) **United States Design Patent**
Brazier

(10) **Patent No.:** **US D556,791 S**

(45) **Date of Patent:** **** Dec. 4, 2007**

(54) **BELTED TRACK ASSEMBLY**

(76) Inventor: **Glen Brazier**, P.O. Box 214, Karlstad,
MN (US) 56732-0214

(**) Term: **14 Years**

(21) Appl. No.: **29/268,277**

(22) Filed: **Nov. 2, 2006**

Related U.S. Application Data

(63) Continuation-in-part of application No. 11/517,469,
filed on Sep. 7, 2006, which is a continuation-in-part
of application No. 11/151,564, filed on Jun. 13, 2005,
now Pat. No. 7,131,508, which is a continuation of
application No. 10/348,156, filed on Jan. 21, 2003,
now Pat. No. 6,904,986.

(51) **LOC (8) Cl.** **15-03**

(52) **U.S. Cl.** **D15/28**

(58) **Field of Classification Search** D15/10,
D15/22-26, 28; 180/9.1, 9.21, 9.26, 9.28,
180/908; 305/135, 136, 165, 15, 154, 195,
305/196, 185, 193, 111, 134, 124, 125, 120,
305/129-132, 116, 138

See application file for complete search history.

(56) **References Cited**

U.S. PATENT DOCUMENTS

3,689,123	A *	9/1972	Barbieri	305/143
3,938,606	A *	2/1976	Yancey	180/9.5
4,448,273	A *	5/1984	Barbieri	180/9.21
4,953,919	A *	9/1990	Langford	305/144
5,273,126	A *	12/1993	Reed et al.	180/9.21
5,340,205	A *	8/1994	Nagorcka	305/132
5,452,949	A *	9/1995	Kelderman	305/129
5,607,210	A *	3/1997	Brazier	305/131
5,842,757	A *	12/1998	Kelderman	305/125
5,899,543	A *	5/1999	Lykken et al.	305/131

5,924,503	A *	7/1999	Lykken	180/6.7
5,954,148	A *	9/1999	Okumura et al.	180/9.21
6,006,847	A *	12/1999	Knight	180/9.26
D425,526	S *	5/2000	Juncker et al.	D15/28
6,074,025	A *	6/2000	Juncker et al.	305/130
6,095,275	A *	8/2000	Shaw	180/185
6,116,362	A *	9/2000	Schubert et al.	180/9.44
6,176,334	B1 *	1/2001	Lorenzen	180/9.48
6,199,646	B1 *	3/2001	Tani et al.	180/9.21
6,401,847	B1 *	6/2002	Lykken	180/9.1
6,557,953	B1 *	5/2003	Kahle et al.	305/135
D488,171	S *	4/2004	Juncker et al.	D15/28
D497,621	S *	10/2004	Inaoka et al.	D15/28
6,810,975	B2 *	11/2004	Nagorcka et al.	180/9.5
D505,136	S *	5/2005	Brazier	D15/28
6,904,986	B2 *	6/2005	Brazier	180/9.21
6,926,105	B2 *	8/2005	Brazier	180/9.21
D510,742	S *	10/2005	Stover	D15/28
D528,133	S *	9/2006	Brazier	D15/28
7,111,697	B2 *	9/2006	Brazier	180/9.21

* cited by examiner

Primary Examiner—Mitchell Siegel

Assistant Examiner—Mark Goodwin

(74) *Attorney, Agent, or Firm*—DL Tschida

(57) **CLAIM**

The ornamental design for a belted track assembly, as shown and described.

DESCRIPTION

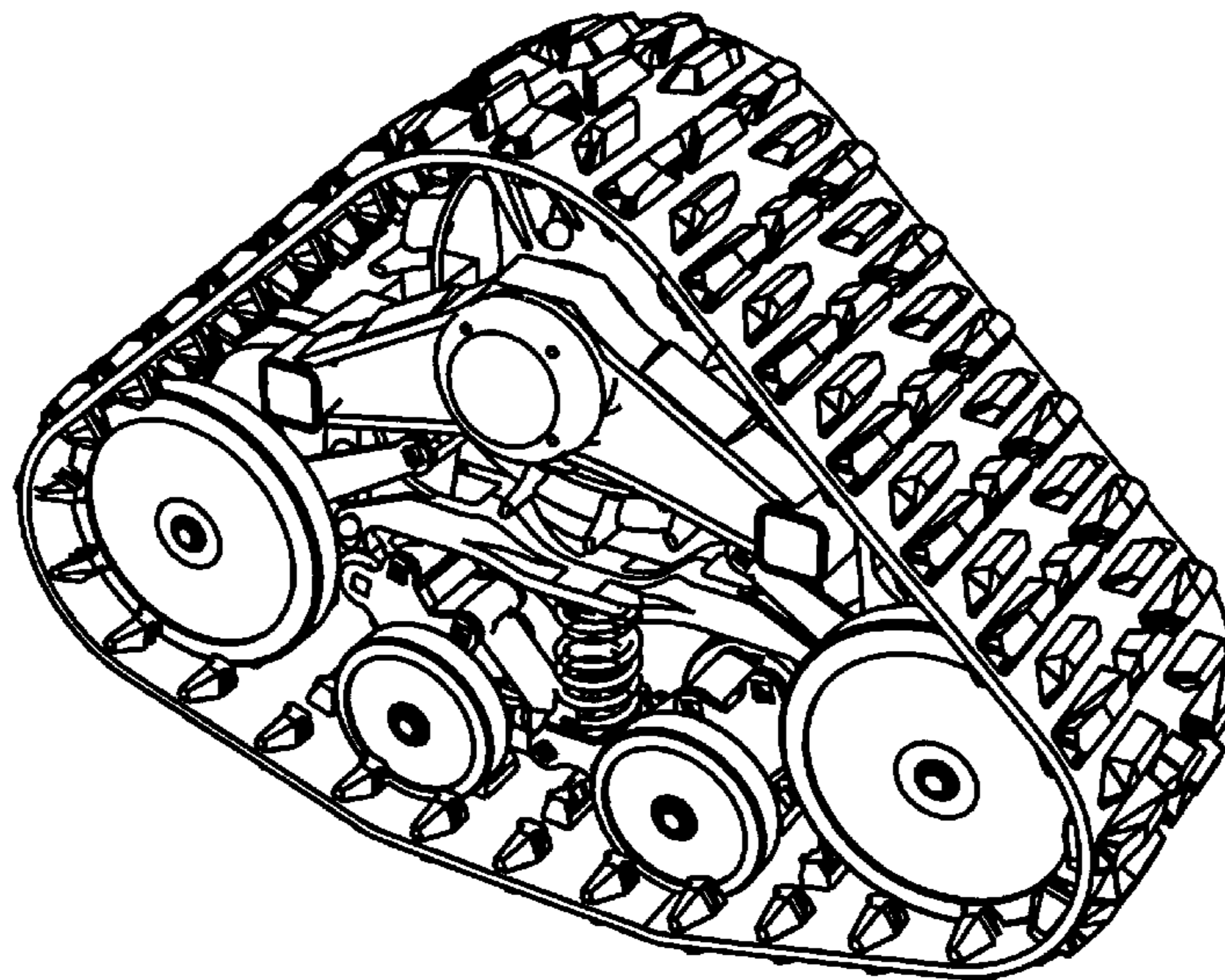
FIG. 1 is a top, front, right perspective view of a belted track assembly showing my new design;

FIG. 2 is a front perspective view thereof;

FIG. 3 is a rear perspective view thereof; and,

FIG. 4 is a top view thereof and wherein the bottom, right and left side views are identical with each depicting the repeating pattern of the lugged track surface.

1 Claim, 4 Drawing Sheets



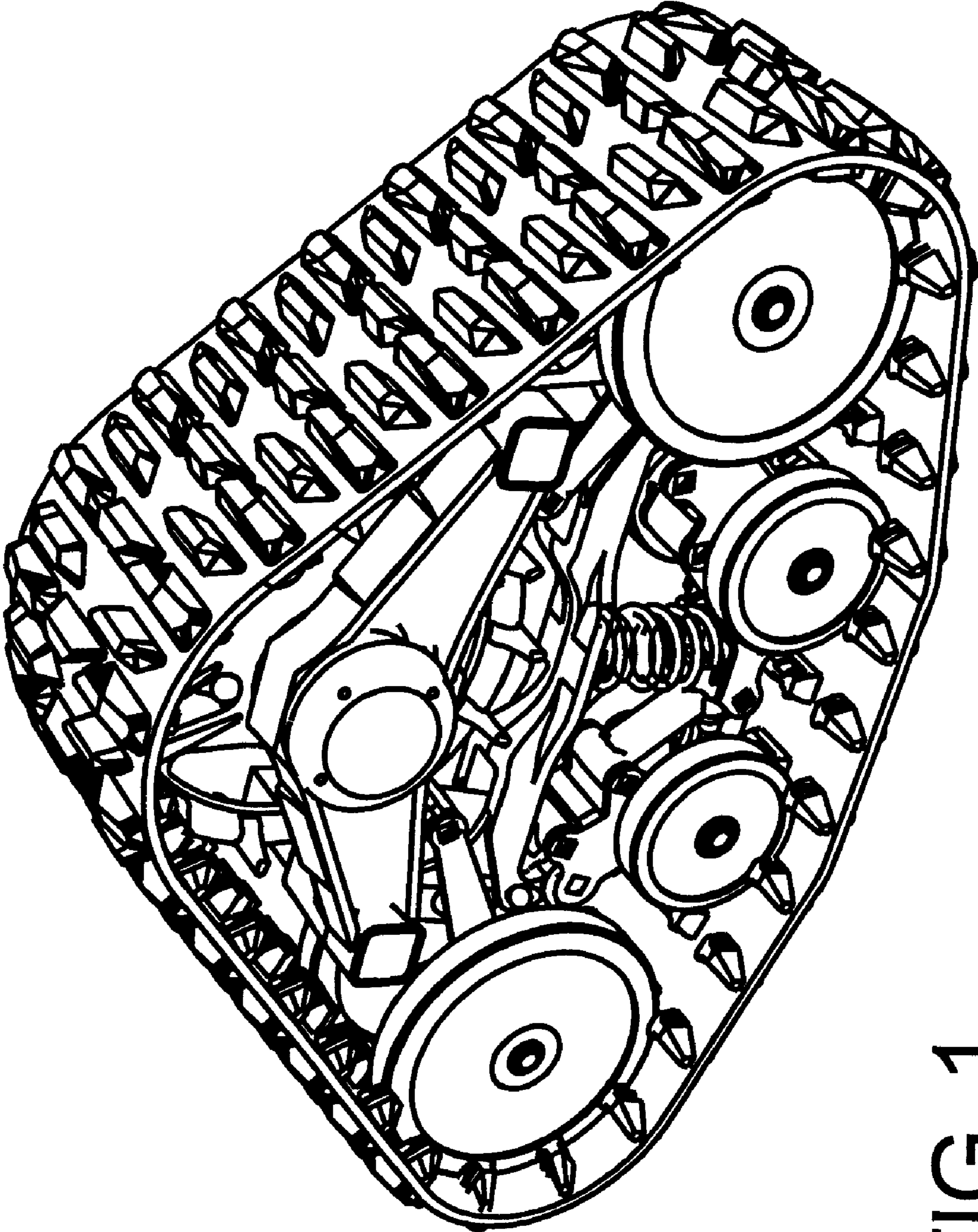


FIG. 1

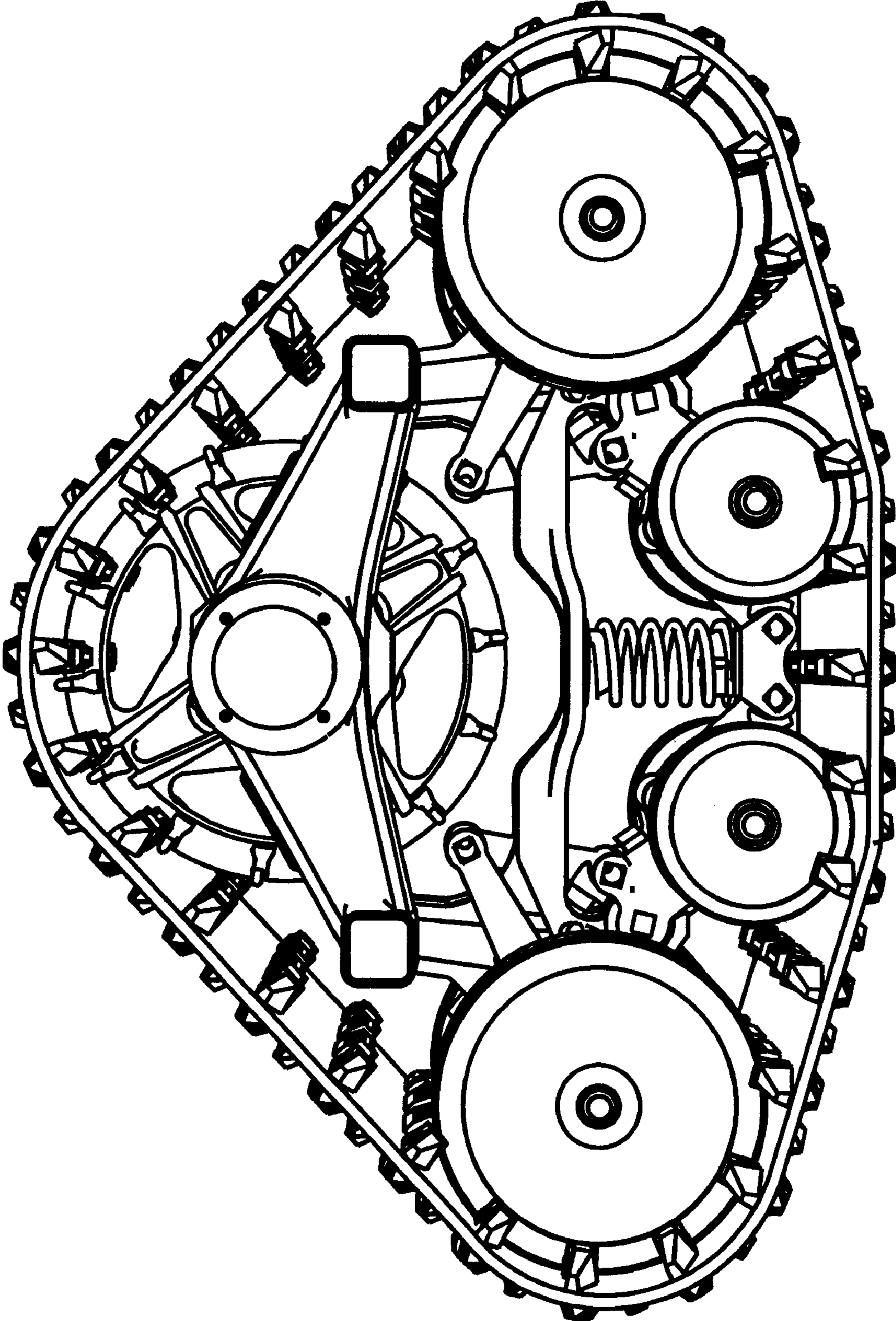


FIG. 2

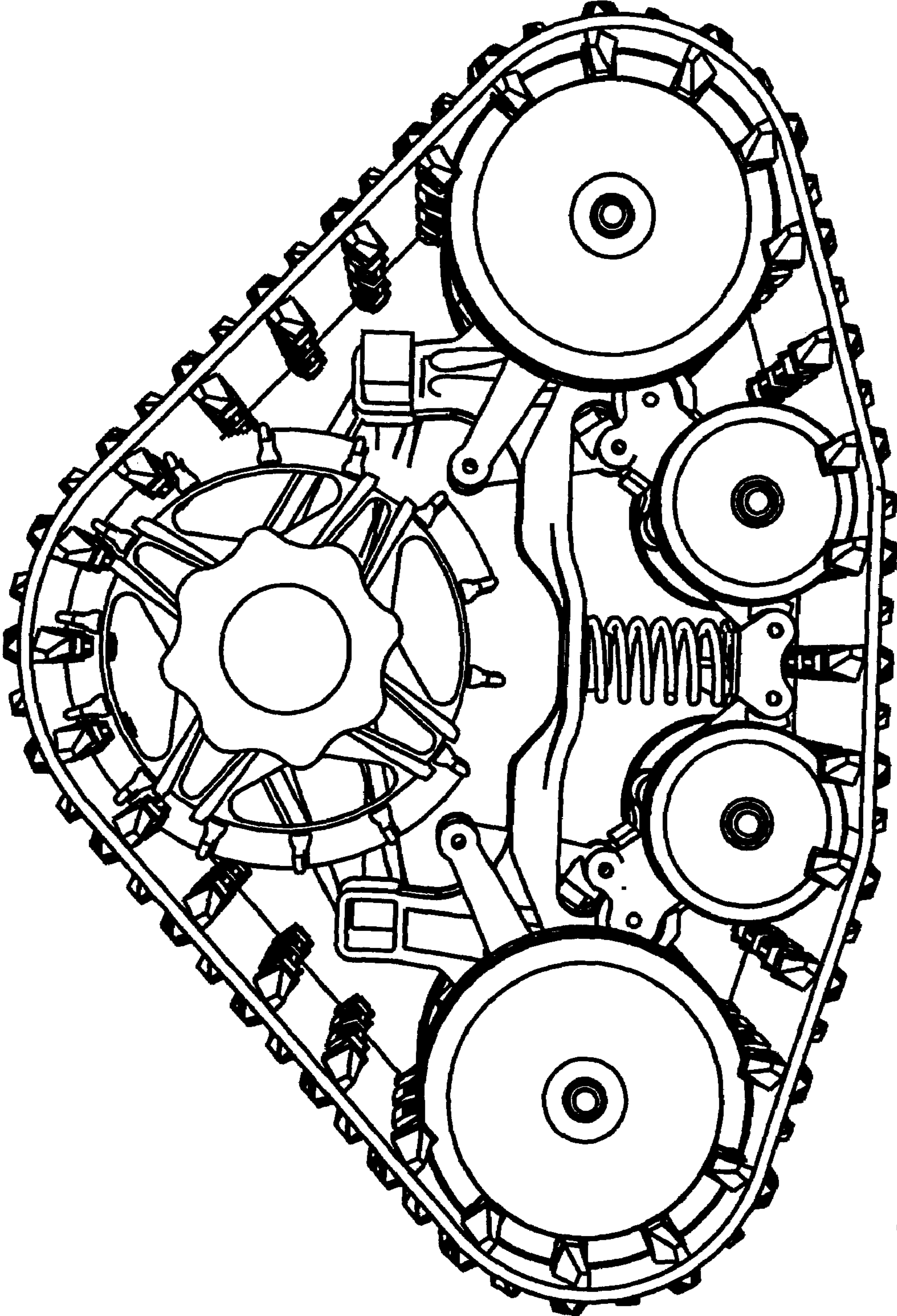


FIG. 3

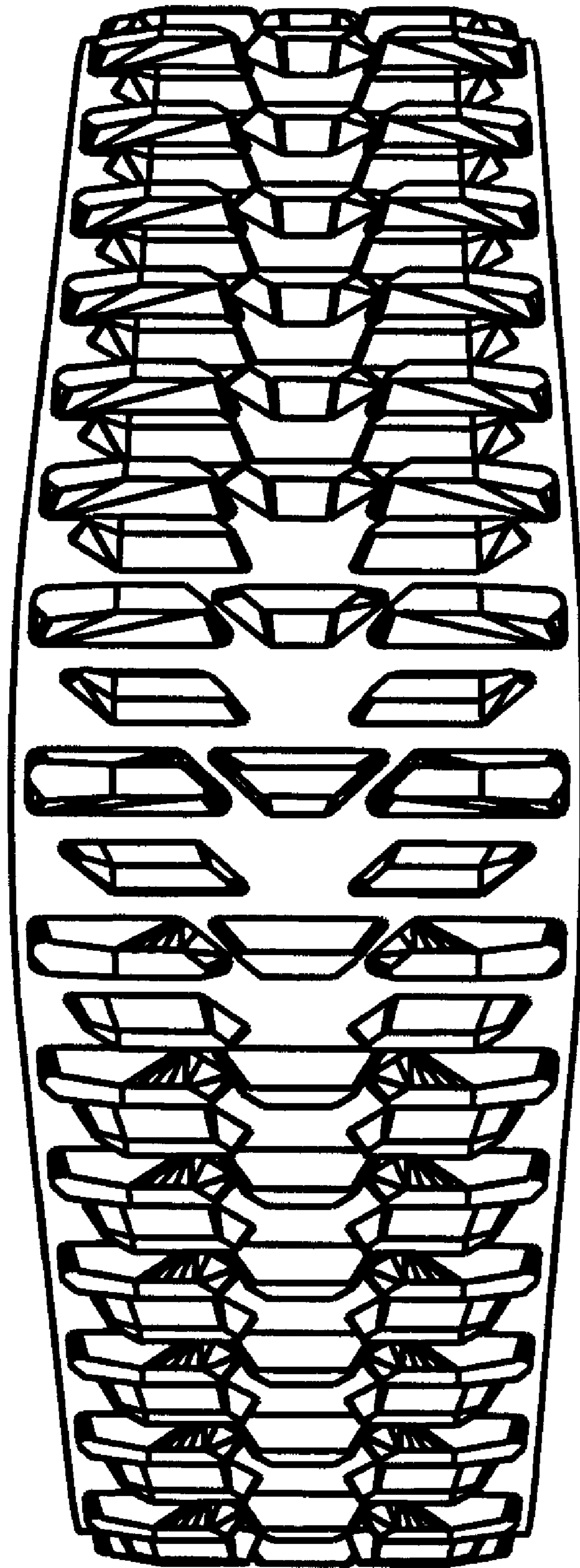


FIG. 4