



US00D556790S

(12) **United States Design Patent**
Harber et al.

(10) **Patent No.:** **US D556,790 S**
(45) **Date of Patent:** **** Dec. 4, 2007**

(54) **ELECTRONIC GRADER CONTROL UNIT ASSEMBLY**

(75) Inventors: **Neil Vincent Harber**, Holy Cross, IA (US); **Leroy Ernest Kraske**, Dubuque, IA (US); **Michael Eugene Kennedy**, Dubuque, IA (US); **Darrel Jeffrey Rowan**, Dubuque, IA (US); **Martin Lavern Ruhter**, Dubuque, IA (US)

(73) Assignee: **Deere & Company**, Moline, IL (US)

(**) Term: **14 Years**

(21) Appl. No.: **29/250,513**

(22) Filed: **Nov. 17, 2006**

(51) **LOC (8) Cl.** **15-03**

(52) **U.S. Cl.** **D15/28**

(58) **Field of Classification Search** D15/10, D15/22-26, 28, 30; D21/329; D6/356; D34/35; 180/334, 315, 326, 78, 329-336, 316, 89.13; 296/190.01, 190.03, 190.08; 74/491-493, 74/495, 479.01

See application file for complete search history.

(56) **References Cited**

U.S. PATENT DOCUMENTS

3,737,003	A *	6/1973	Beals et al.	180/78
3,800,903	A *	4/1974	Beals et al.	180/419
4,209,074	A *	6/1980	York	180/78
4,291,896	A *	9/1981	Koch	280/775

RE31,646	E *	8/1984	Beals et al.	180/78
4,664,221	A *	5/1987	Loney et al.	180/315
4,682,787	A *	7/1987	Ruhter et al.	280/775
4,706,776	A *	11/1987	Hyoki et al.	180/334
4,733,745	A *	3/1988	Lumpkins	180/315
4,821,837	A *	4/1989	Fifer	180/334
5,632,353	A *	5/1997	Kimberley	180/326
6,523,617	B2 *	2/2003	McGugan	172/4.5
2002/0166267	A1 *	11/2002	McGugan	37/348

* cited by examiner

Primary Examiner—Mitchell Siegel

Assistant Examiner—Mark Goodwin

(74) *Attorney, Agent, or Firm*—Baker & Daniels LLP

(57) **CLAIM**

The ornamental design for an electronic grader control unit assembly, as shown and described.

DESCRIPTION

FIG. 1 is a perspective view of the electronic grader control unit assembly showing our new design.

FIG. 2 is a side view thereof.

FIG. 3 is an opposite side view thereof.

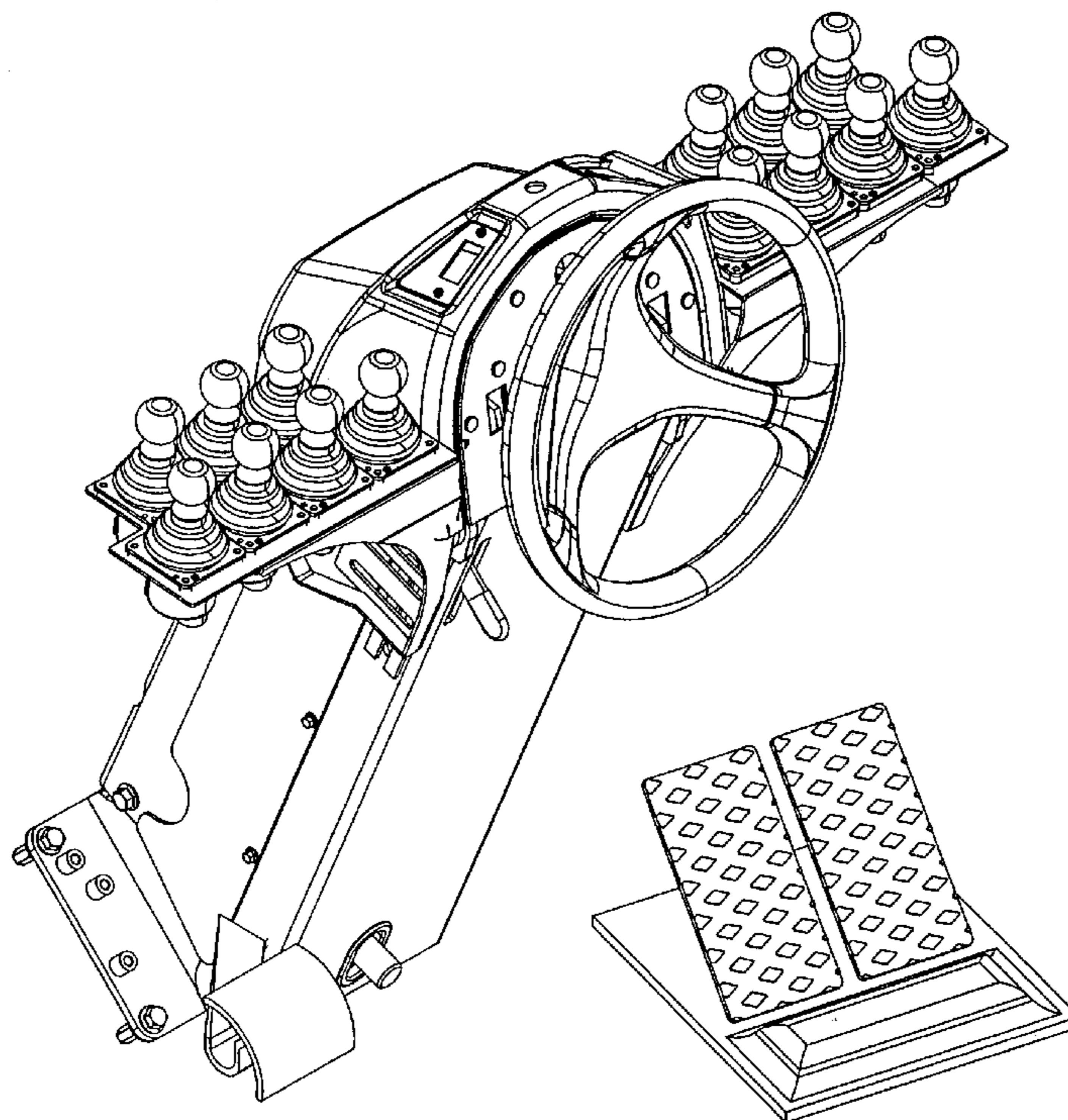
FIG. 4 is a top view thereof.

FIG. 5 is a bottom view thereof.

FIG. 6 is a front view thereof; and,

FIG. 7 is a rear view thereof.

1 Claim, 7 Drawing Sheets



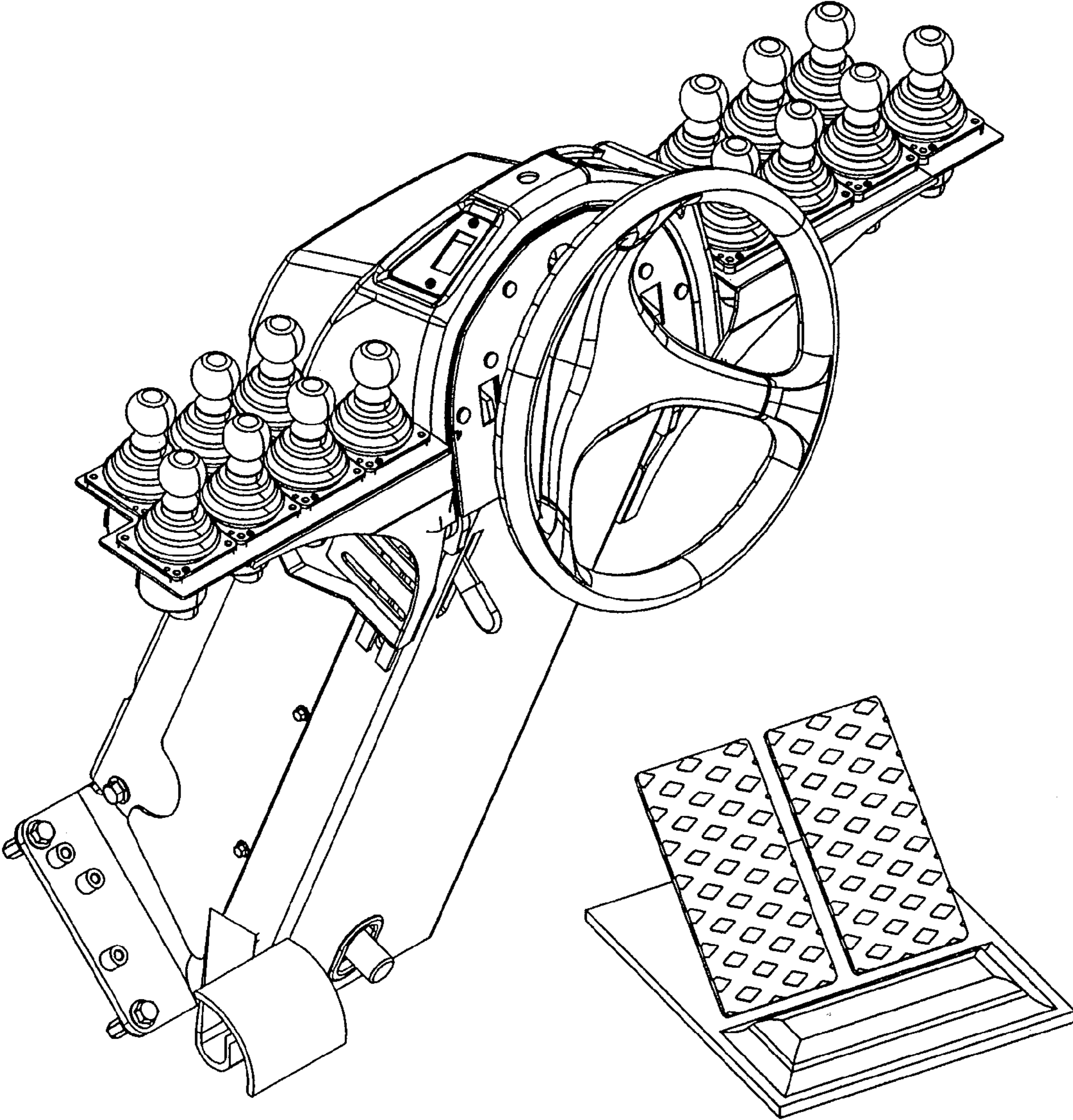


FIG. 1

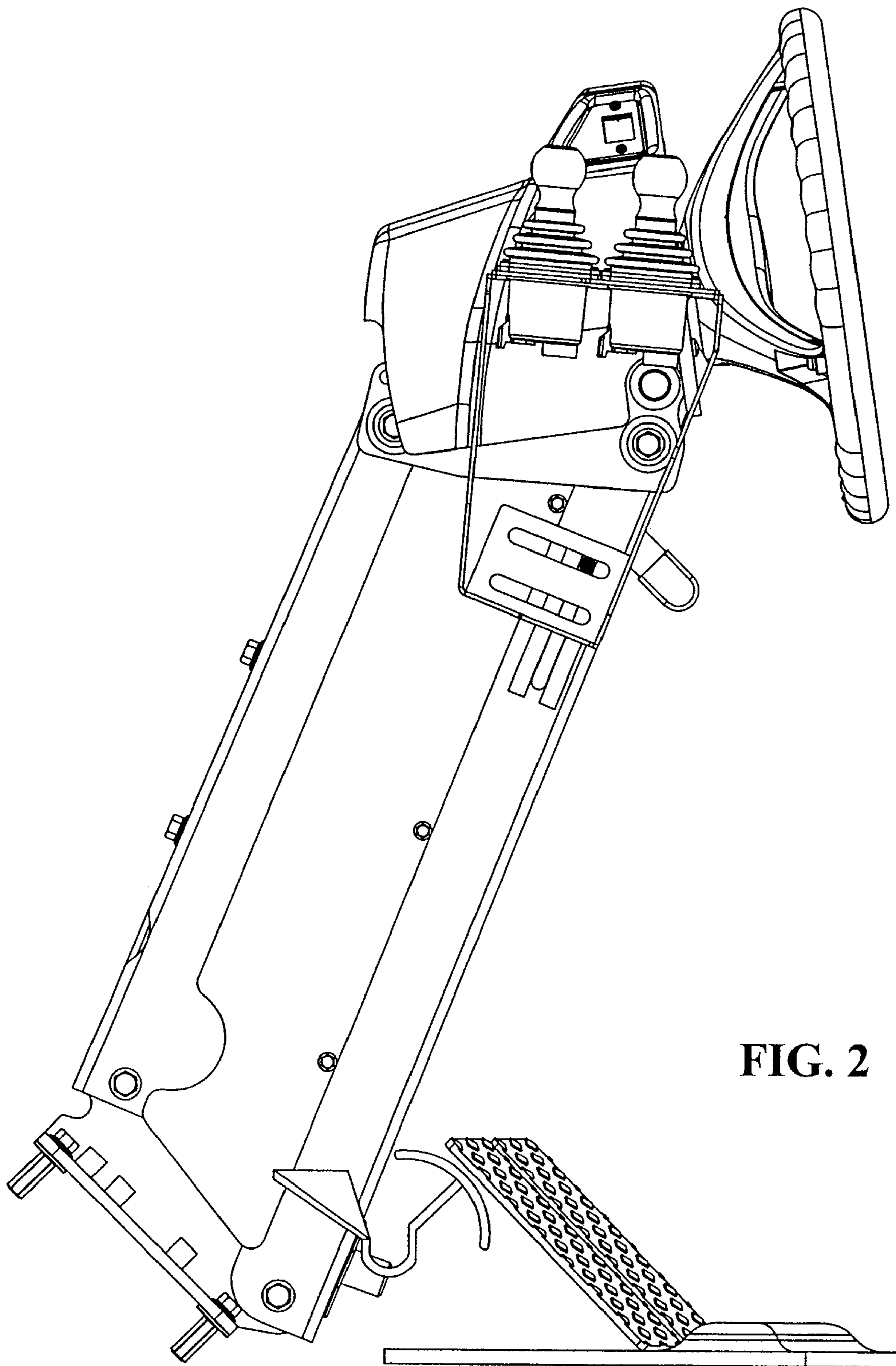


FIG. 2

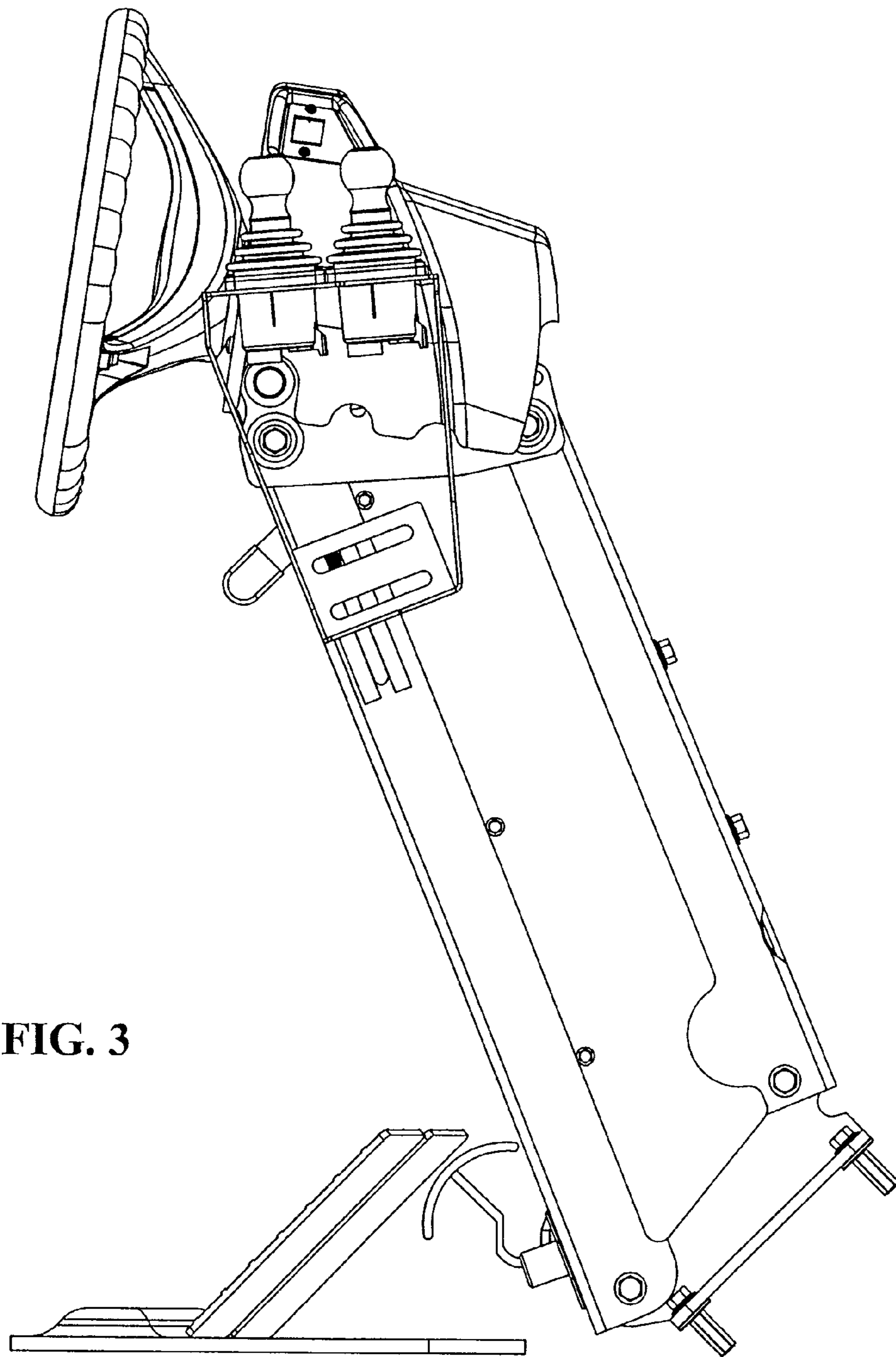


FIG. 3

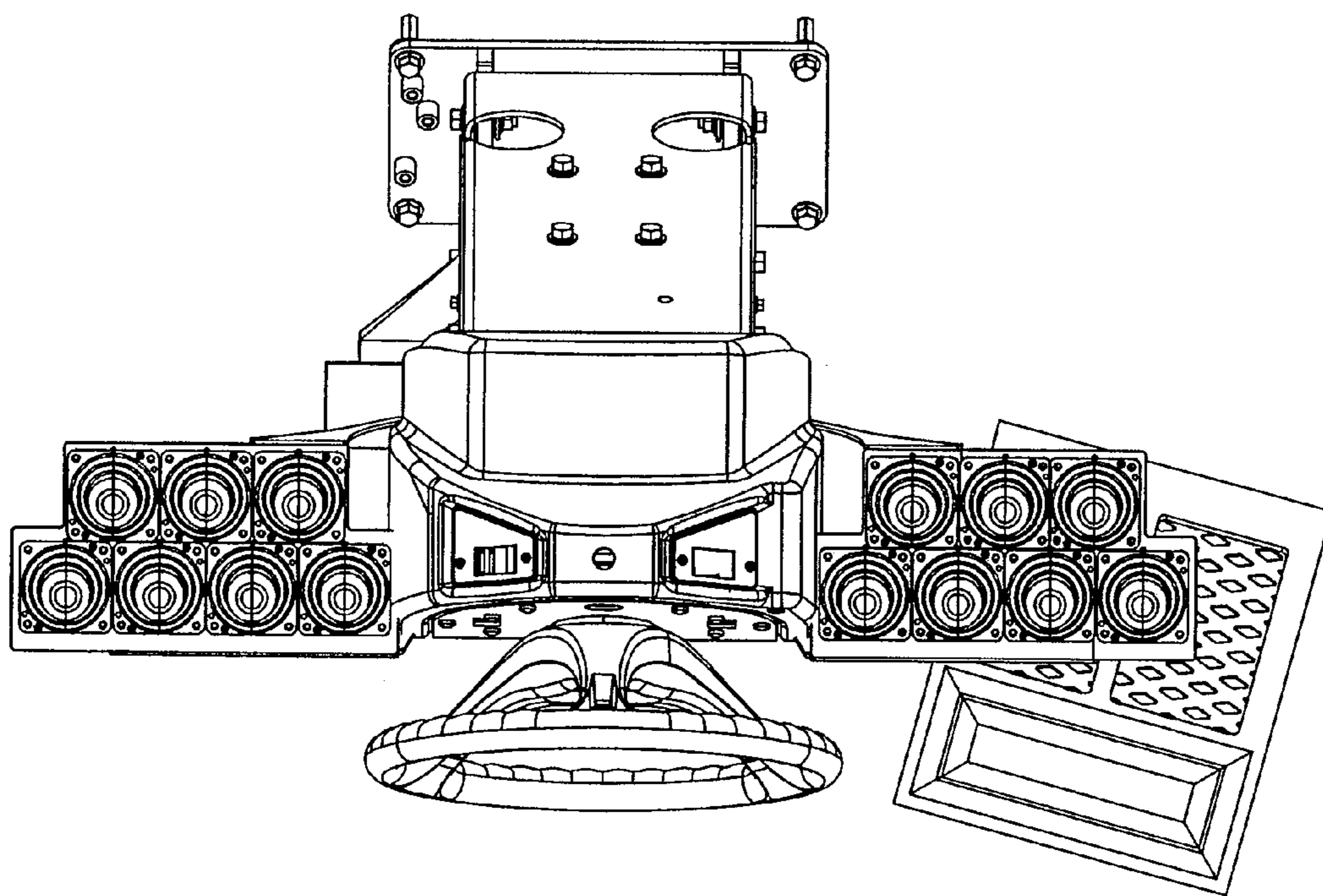


FIG. 4

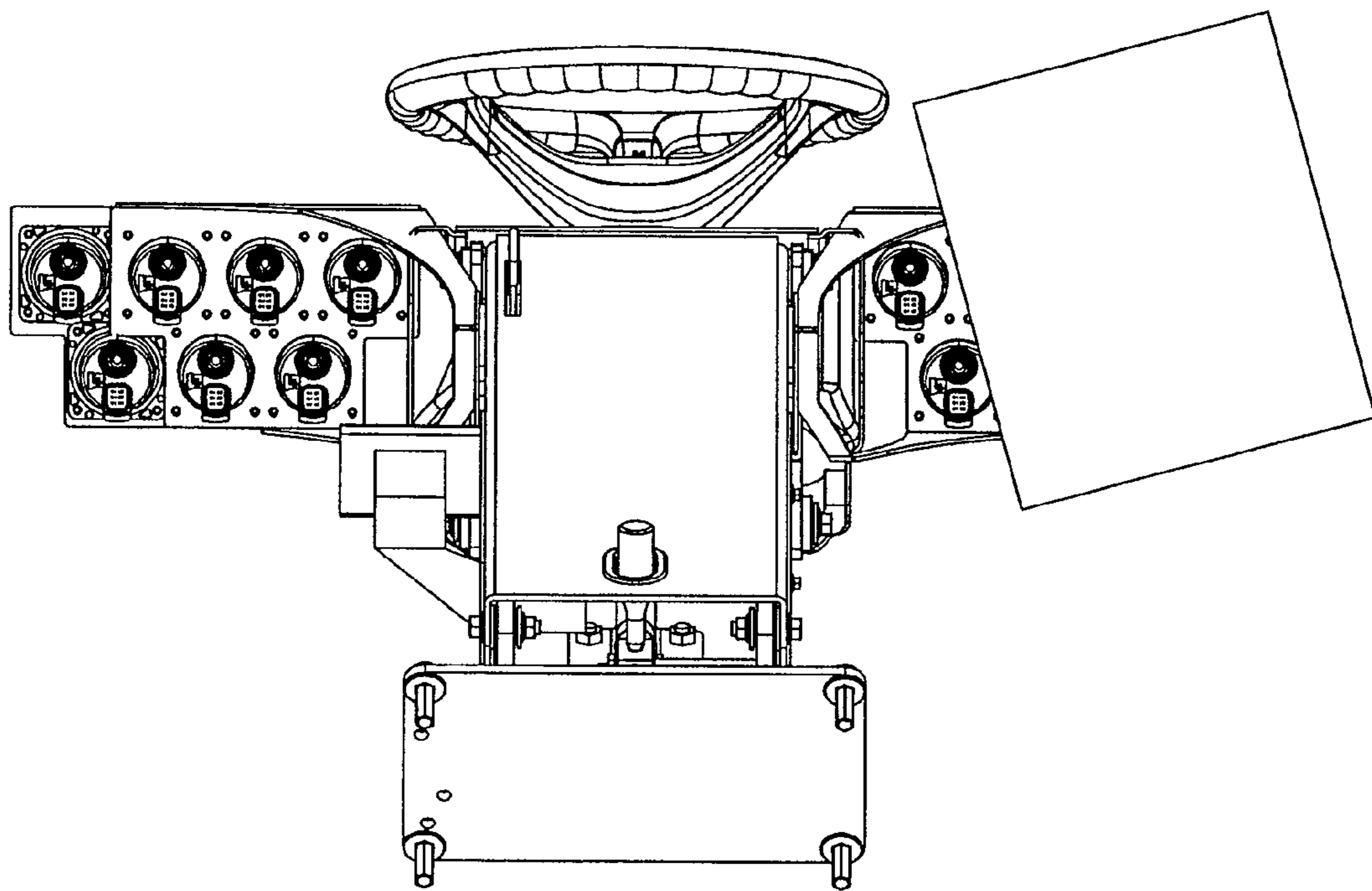


FIG. 5

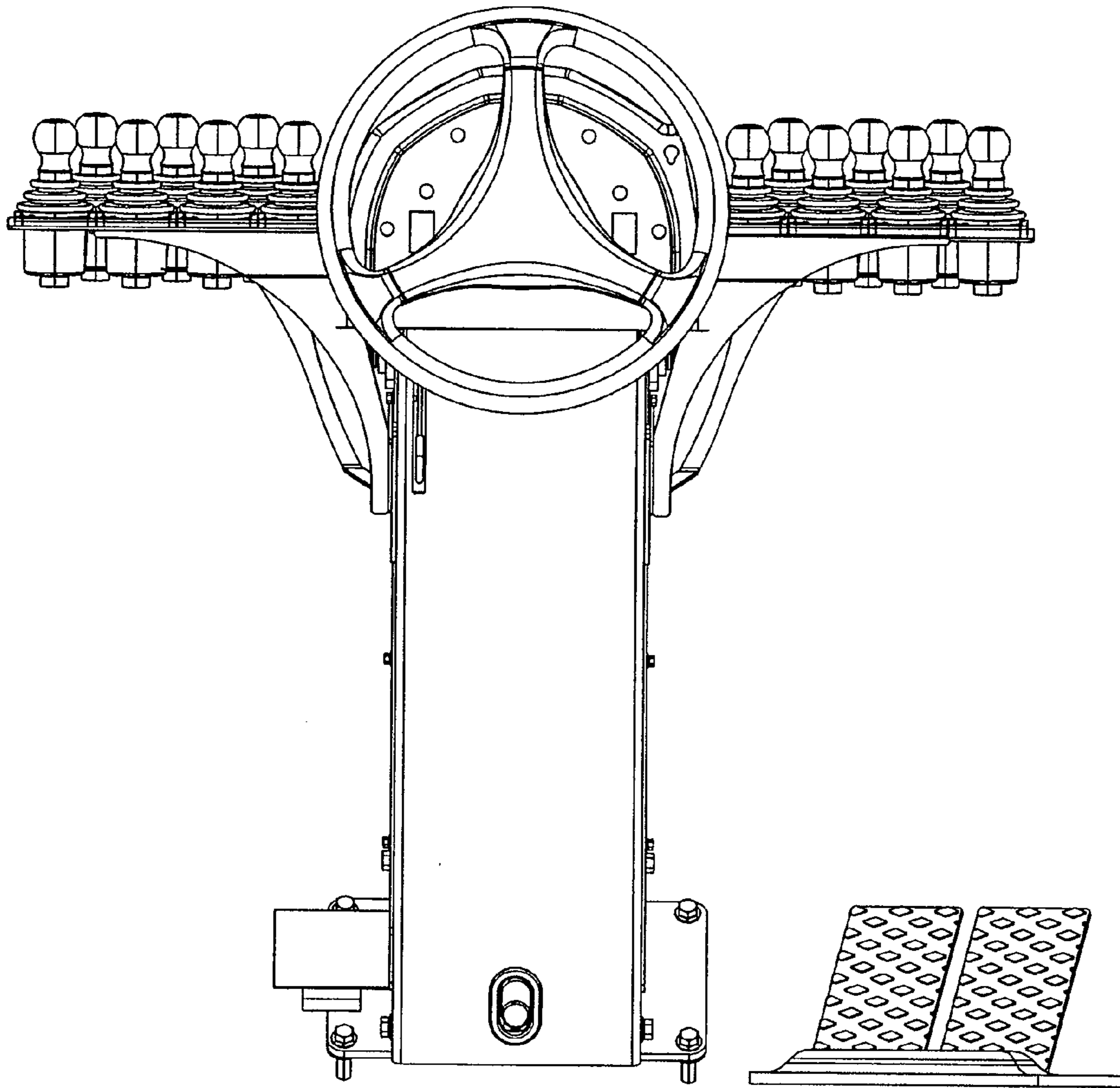


FIG. 6

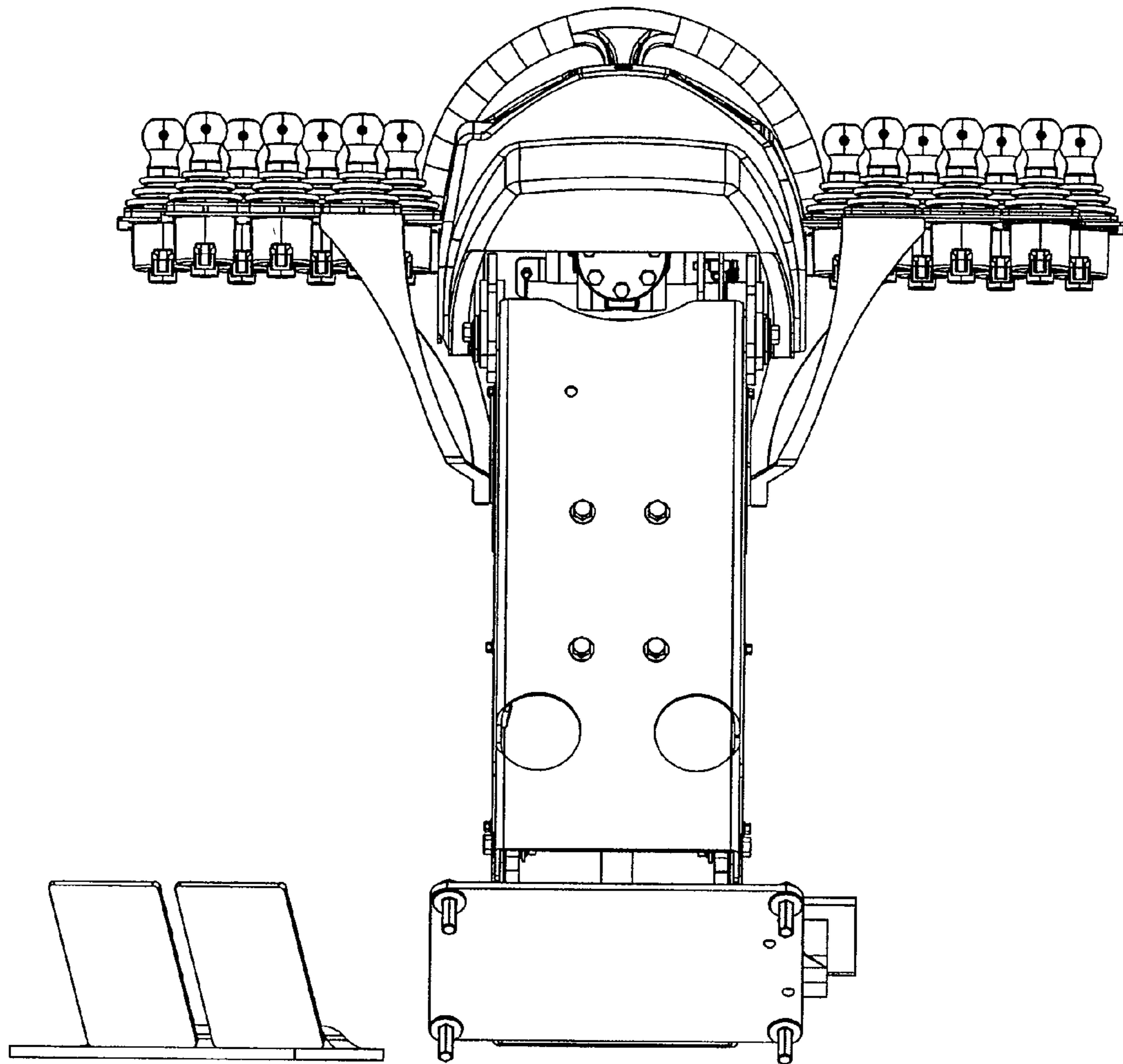


FIG. 7