

US00D556789S

(12) **United States Design Patent**
Kitayama et al.

(10) **Patent No.:** **US D556,789 S**

(45) **Date of Patent:** **** Dec. 4, 2007**

(54) **TRACTOR**

(75) Inventors: **Kozo Kitayama**, Osaka (JP);
Mitsuyuki Hatanaka, Osaka (JP);
Zenzo Uchida, Osaka (JP); **Masakazu**
Komatsu, Osaka (JP)

(73) Assignee: **Yanmar Co., Ltd.**, Osaka-Shi, Osaka
(JP)

(**) Term: **14 Years**

(21) Appl. No.: **29/270,451**

(22) Filed: **Dec. 26, 2006**

(51) **LOC (8) Cl.** **12-09**

(52) **U.S. Cl.** **D15/24**

(58) **Field of Classification Search** D15/10,
D15/22-26; 180/306, 307, 6.7, 9.1, 89.1,
180/89.12, 900

See application file for complete search history.

(56) **References Cited**

U.S. PATENT DOCUMENTS

D302,276 S * 7/1989 Briggs et al. D15/24
D314,388 S * 2/1991 Brewer et al. D15/24
5,018,591 A * 5/1991 Price 180/9.5

D364,879 S * 12/1995 Bastian et al. D15/24
D375,506 S * 11/1996 Bastian et al. D15/24
D483,043 S * 12/2003 Akashima et al. D15/24
D499,748 S * 12/2004 Komatsu et al. D15/24
6,913,103 B2 * 7/2005 Kitasaka et al. 180/306

* cited by examiner

Primary Examiner—Mitchell Siegel
Assistant Examiner—Mark Goodwin

(74) *Attorney, Agent, or Firm*—Birch, Stewart, Kolasch &
Birch, LLP

(57) **CLAIM**

The ornamental design for a tractor, as shown and described.

DESCRIPTION

FIG. 1 is a right side view of a tractor showing our new design;

FIG. 2 is a left side view thereof;

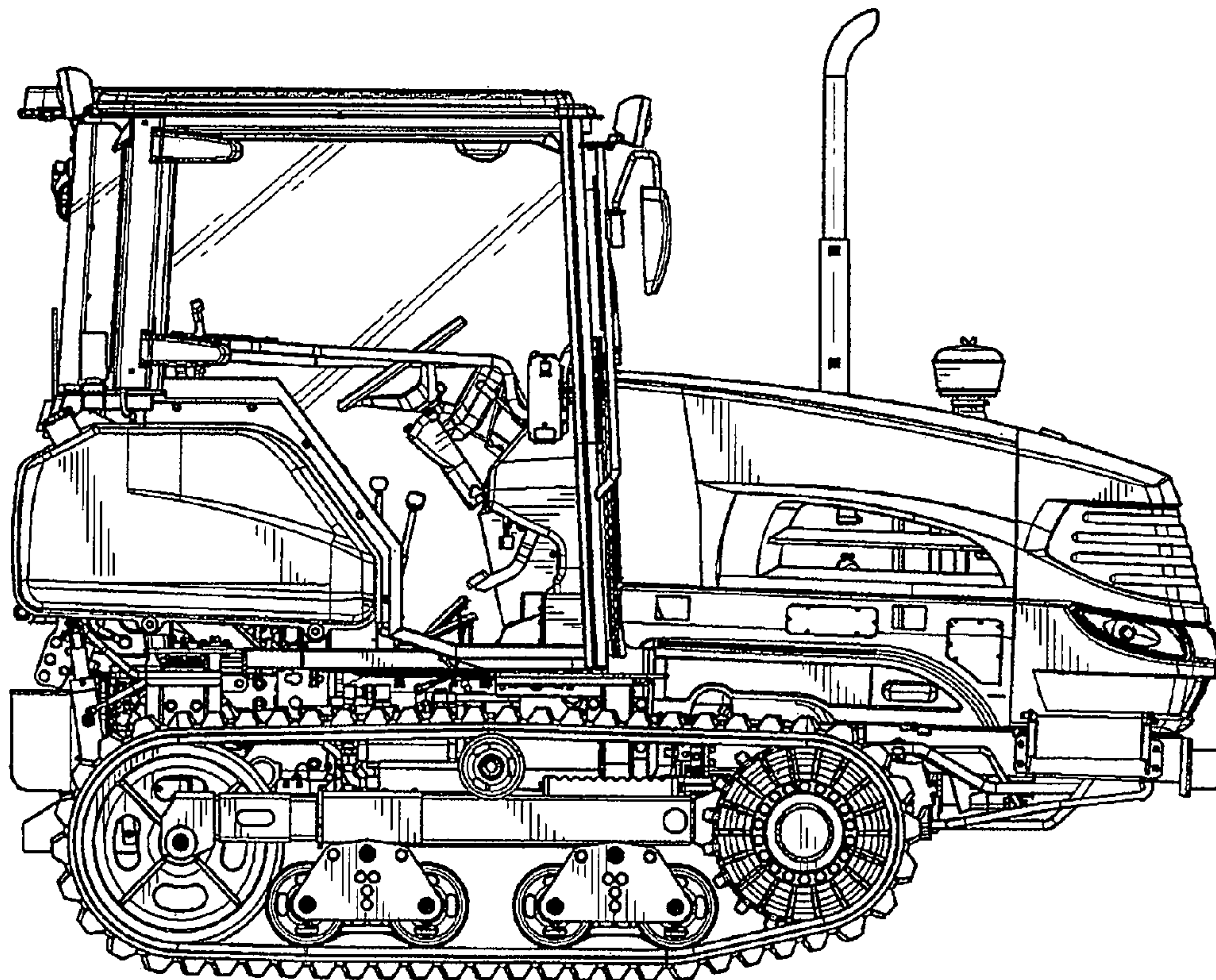
FIG. 3 is a bottom plan view thereof;

FIG. 4 is a front elevational view thereof;

FIG. 5 is a top plan view thereof; and,

FIG. 6 is a rear elevational view thereof.

1 Claim, 6 Drawing Sheets



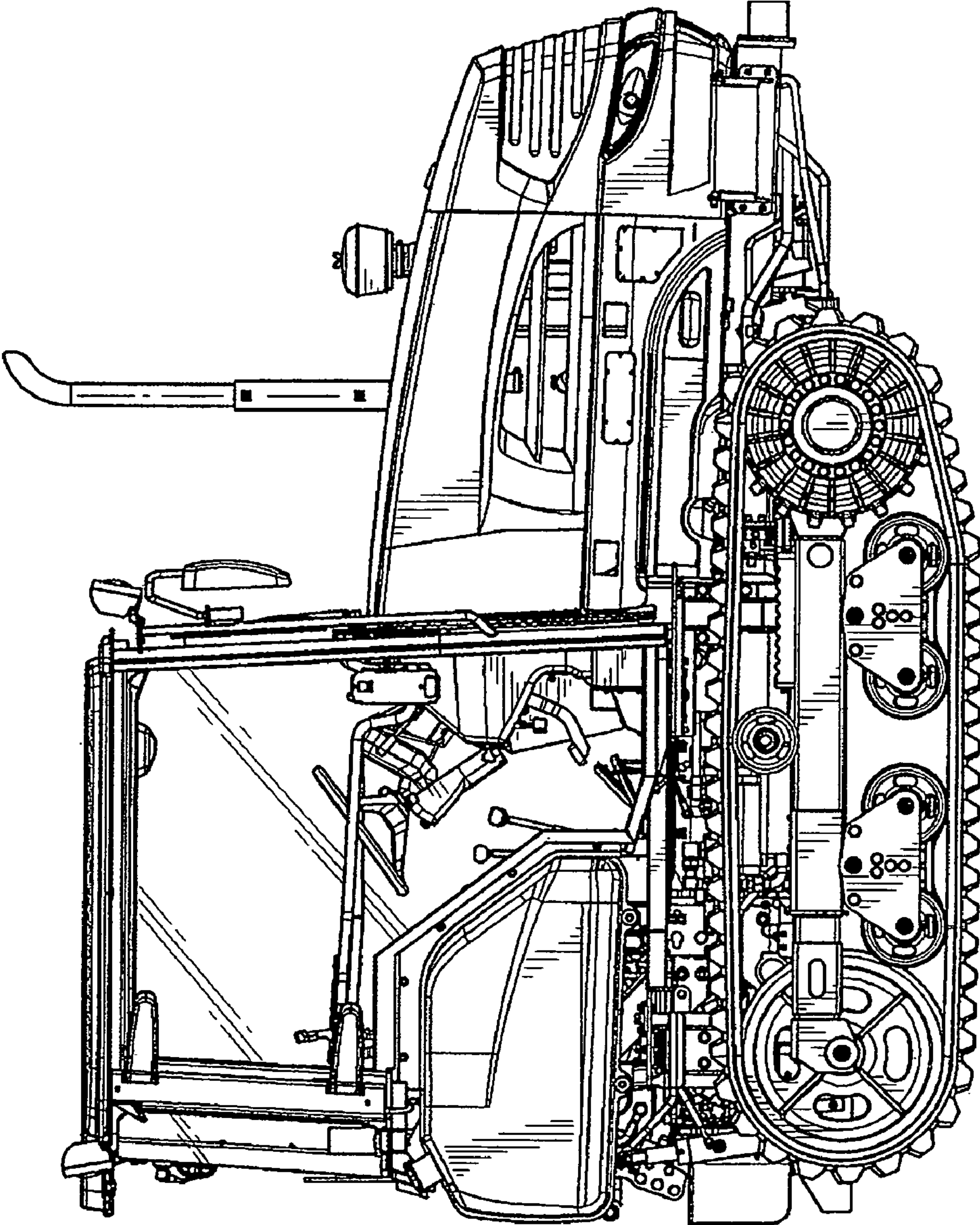


Fig. 1

Fig. 2

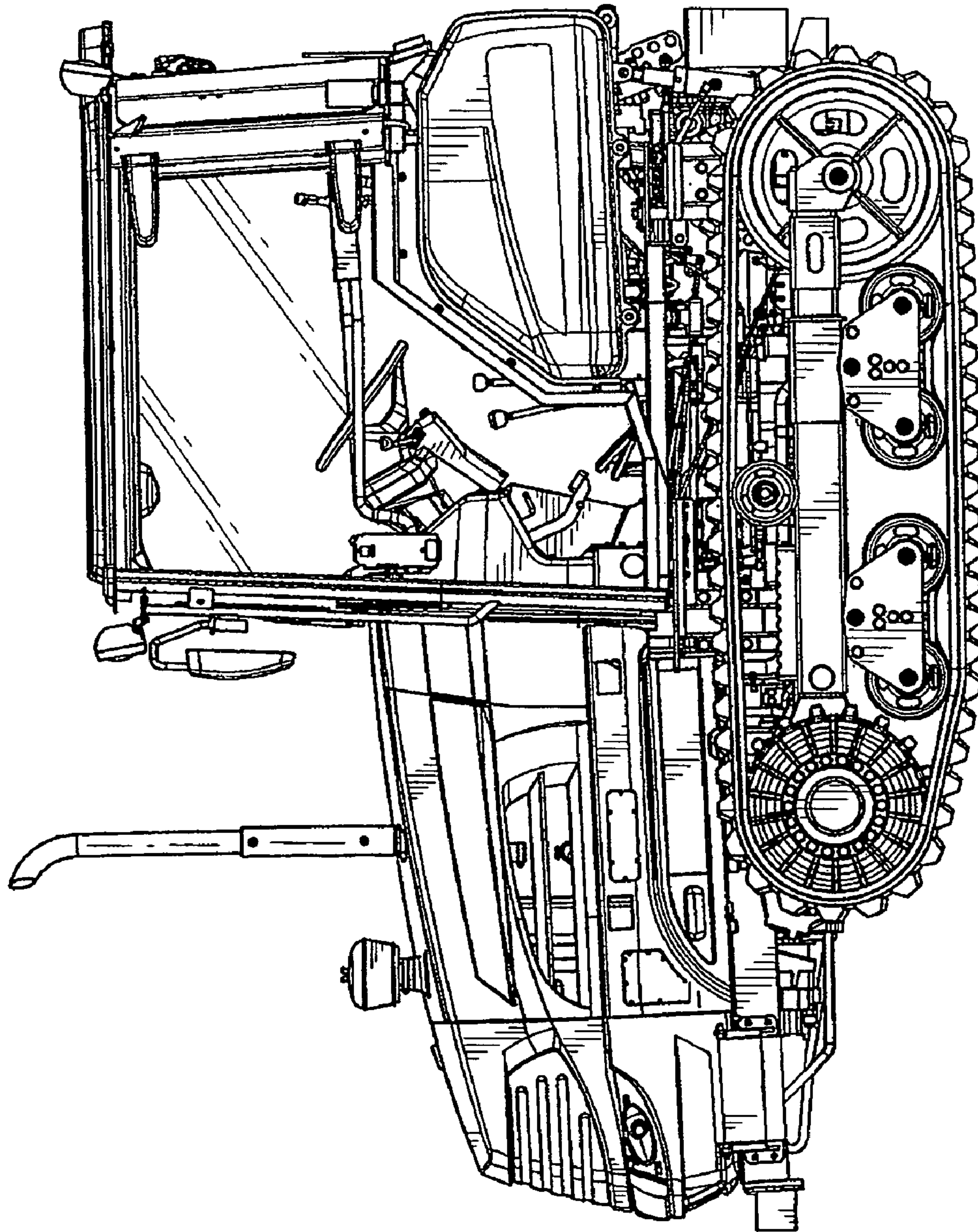


Fig. 3

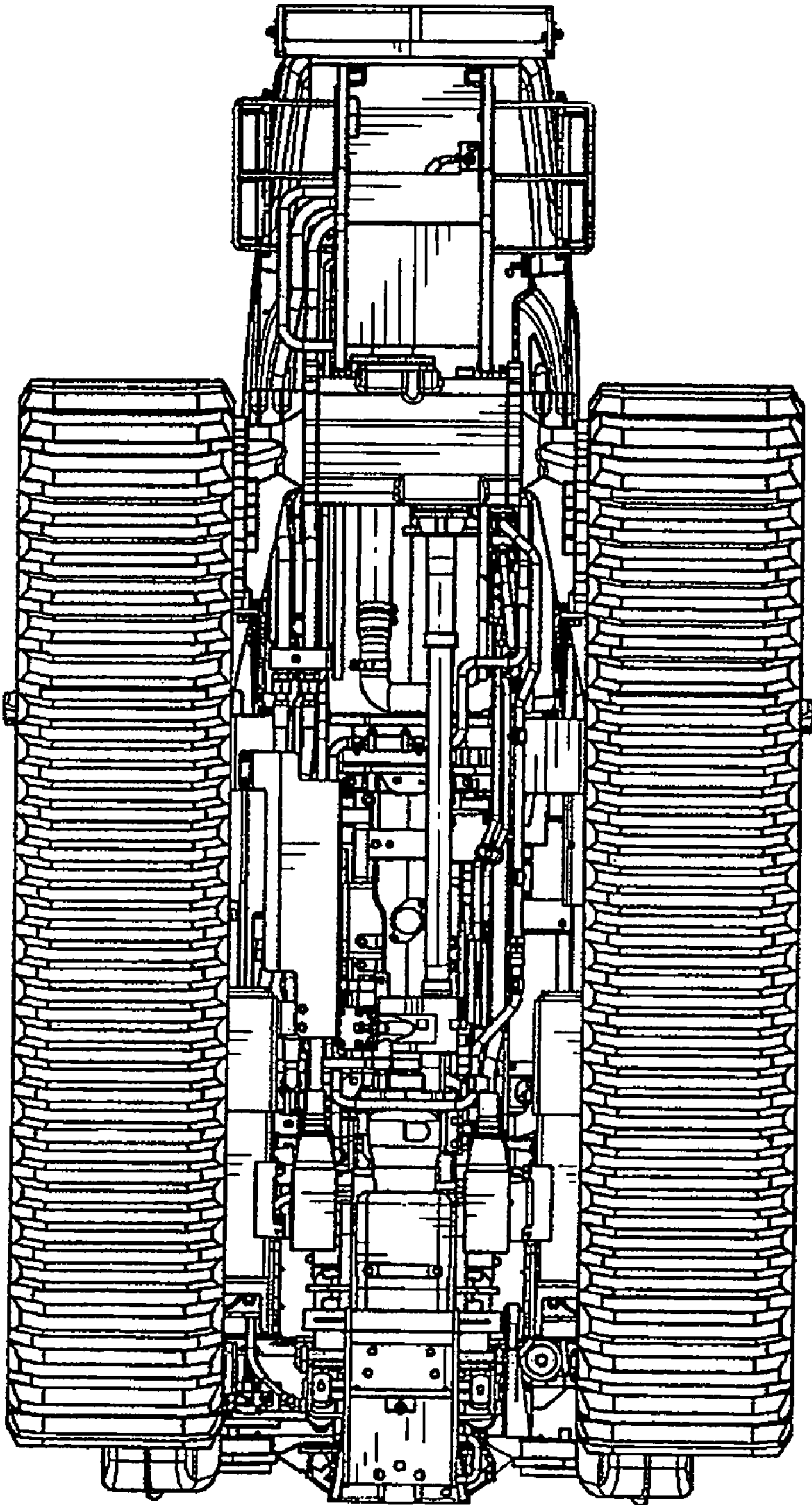


Fig. 4

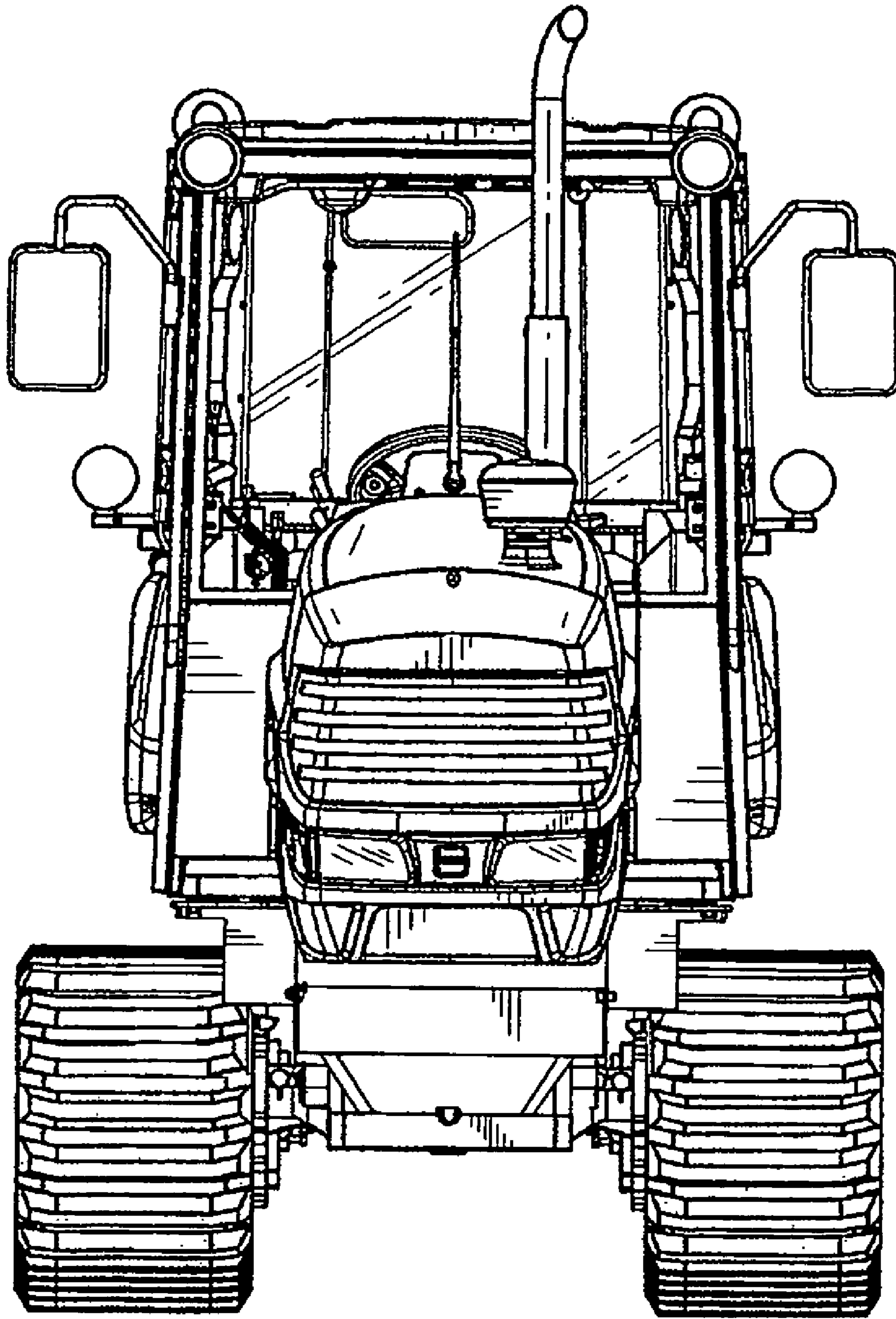


Fig. 5

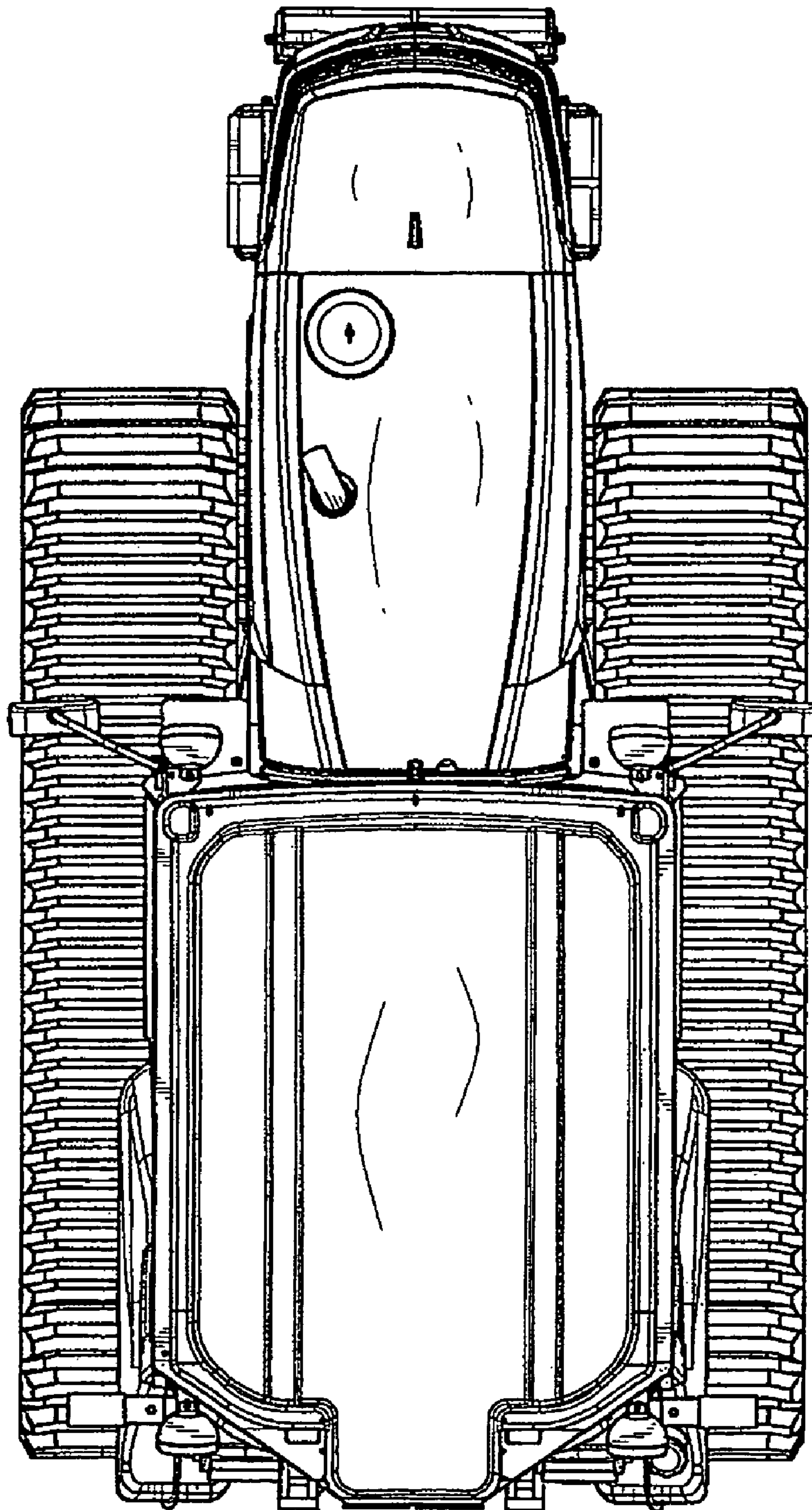


Fig. 6

