



US00D556788S

(12) **United States Design Patent** (10) **Patent No.:** **US D556,788 S**
Bucher et al. (45) **Date of Patent:** **** Dec. 4, 2007**

(54) **DISCHARGE CHUTE**

(75) Inventors: **Corey W. Bucher**, Wrightstown, WI (US); **John H. Feller**, Kaukauna, WI (US)

(73) Assignee: **Ariens Company**, Brillion, WI (US)

(**) Term: **14 Years**

(21) Appl. No.: **29/249,989**

(22) Filed: **Oct. 30, 2006**

(51) **LOC (8) Cl.** **15-03**

(52) **U.S. Cl.** **D15/17**

(58) **Field of Classification Search** D15/15, D15/17, 28; 56/15.7, 13.3, 200, 320.1, 320.2, 56/202, 295, 255, 192, 16.6, 17.4, 314, 316, 56/DIG. 20, DIG. 24, DIG. 22

See application file for complete search history.

(56) **References Cited**

U.S. PATENT DOCUMENTS

2,756,556 A	7/1956	Watkins	
3,049,853 A	8/1962	Horner et al.	
3,503,194 A	3/1970	Ritums	
3,568,421 A	3/1971	Smith et al.	
3,646,739 A	3/1972	Dahl	
3,648,445 A	3/1972	Efflandt	
3,673,778 A *	7/1972	Ramey	56/320.2
3,760,572 A	9/1973	Marion et al.	
3,797,214 A *	3/1974	Erdman et al.	56/320.2
3,805,499 A	4/1974	Woelffer et al.	
3,818,687 A *	6/1974	Houst et al.	56/320.2
4,008,559 A	2/1977	Lessig, III et al.	
4,041,682 A *	8/1977	Kidd	56/320.2
D250,193 S *	11/1978	Oosterling et al.	D15/28
4,142,351 A	3/1979	Neice et al.	
4,258,539 A	3/1981	Pearce et al.	
4,322,938 A	4/1982	Efflandt	
4,502,271 A	3/1985	Hansen et al.	
4,672,799 A	6/1987	Parish	
4,882,898 A *	11/1989	Samejima et al.	56/208

5,003,757 A *	4/1991	Hill	56/17.4
5,101,617 A	4/1992	Hare et al.	
5,163,274 A *	11/1992	Burdsall et al.	56/14.9
5,195,311 A	3/1993	Holland	
5,331,794 A	7/1994	Reichle	

(Continued)

OTHER PUBLICATIONS

John Deere 9660 STS, http://www.deere.com/en_US/ag/feature/2005/9660_sts_combine_hur_jan05.html.

Primary Examiner—Mitchell Siegel

Assistant Examiner—Mark Goodwin

(74) *Attorney, Agent, or Firm*—Michael Best & Friedrich LLP

(57) **CLAIM**

The ornamental design for a discharge chute, as shown and described.

DESCRIPTION

FIG. 1 is a perspective view of a discharge chute according to the present invention.

FIG. 2 is an enlarged perspective view of the discharge chute shown in FIG. 1.

FIG. 3 is a side view of the discharge chute shown in FIG. 1.

FIG. 4 is a front view of the discharge chute shown in FIG. 1.

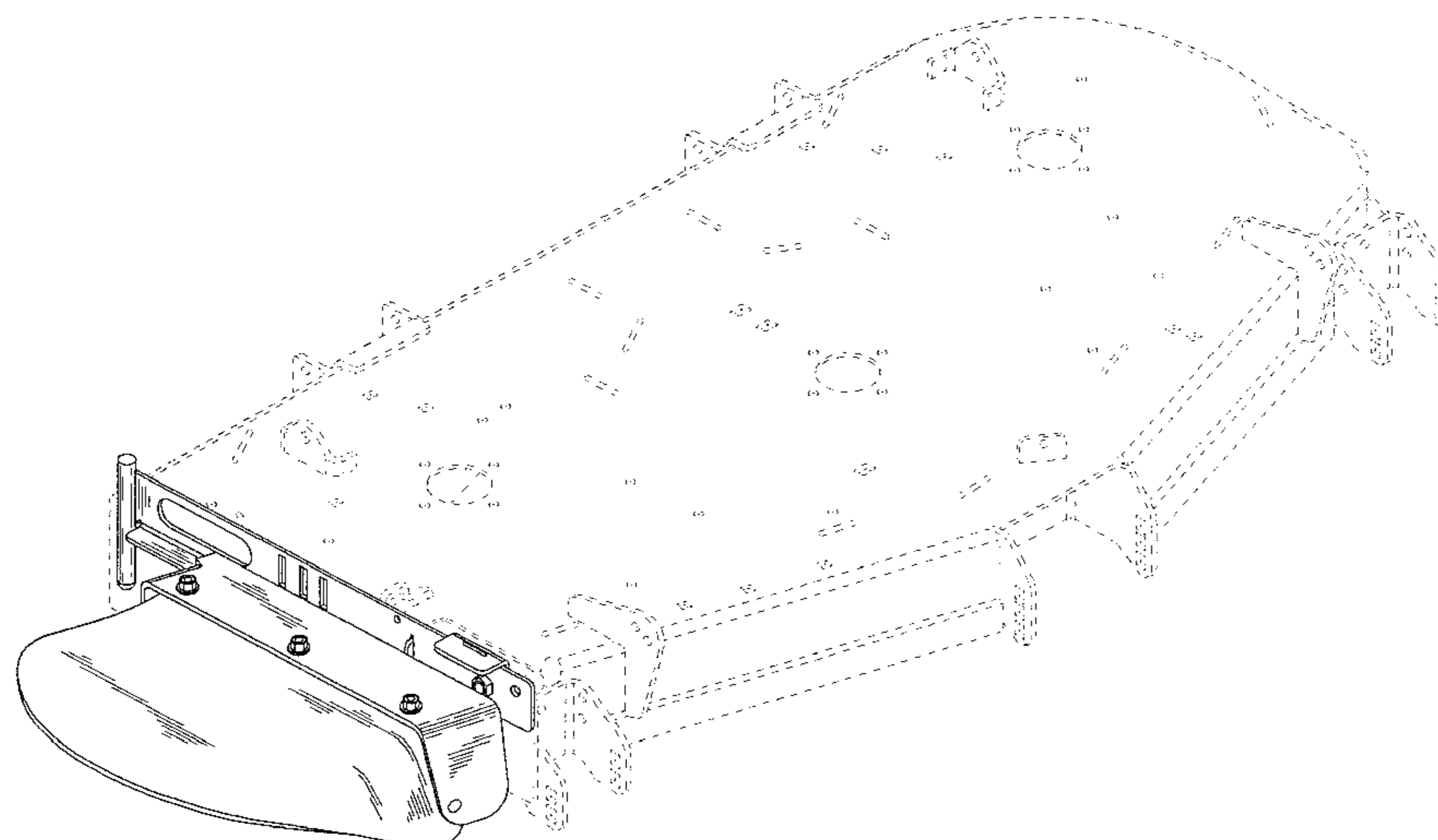
FIG. 5 is a rear view of the discharge chute shown in FIG. 1.

FIG. 6 is a top view of the discharge chute shown in FIG. 1; and,

FIG. 7 is a bottom view of the discharge chute shown in FIG. 1.

The broken line showing of the environment is for illustrative purposes only and forms no part of the claimed design.

1 Claim, 4 Drawing Sheets



US D556,788 S

Page 2

U.S. PATENT DOCUMENTS

D354,964 S *	1/1995	Reichle	D15/17	6,971,224 B1 *	12/2005	Hancock	56/320.2
5,491,964 A	2/1996	Butler		6,986,240 B2	1/2006	Kallevig	
5,499,494 A *	3/1996	Boshell et al.	56/320.1	7,204,073 B1 *	4/2007	Chenevert	56/320.2
5,518,079 A *	5/1996	Zvolanek	180/19.1	2003/0019201 A1 *	1/2003	Eavenson, Sr.	56/202
5,913,804 A *	6/1999	Benway	56/320.2	2004/0112031 A1 *	6/2004	Dickey	56/320.2
5,992,135 A	11/1999	Benway		2004/0231311 A1	11/2004	Kallevig	
6,012,274 A *	1/2000	Eavenson et al.	56/17.2	2005/0279072 A1 *	12/2005	Sarver et al.	56/320.1
6,588,188 B2 *	7/2003	Dennis	56/16.3	2006/0037299 A1	2/2006	Kallevig	

* cited by examiner

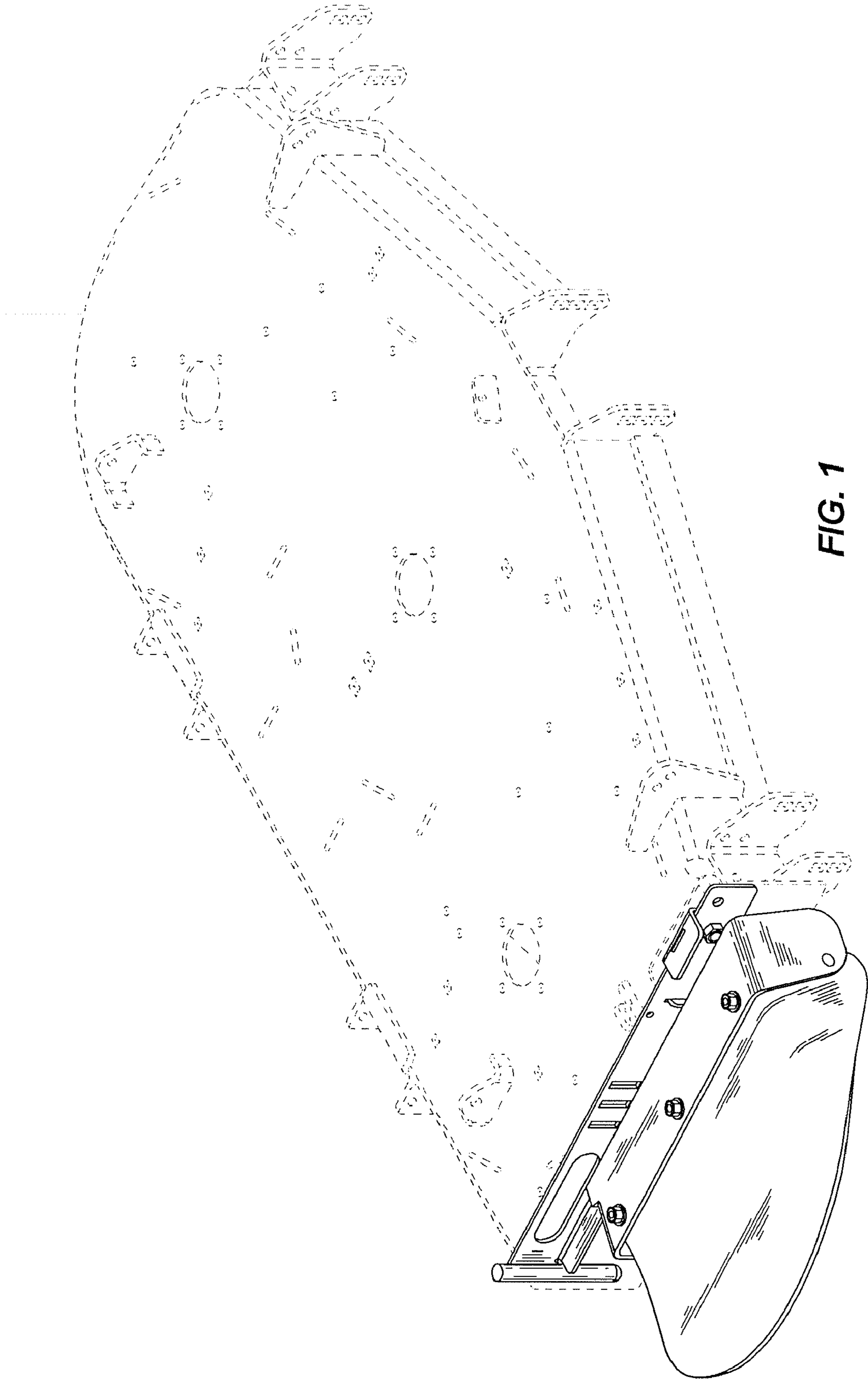


FIG. 1

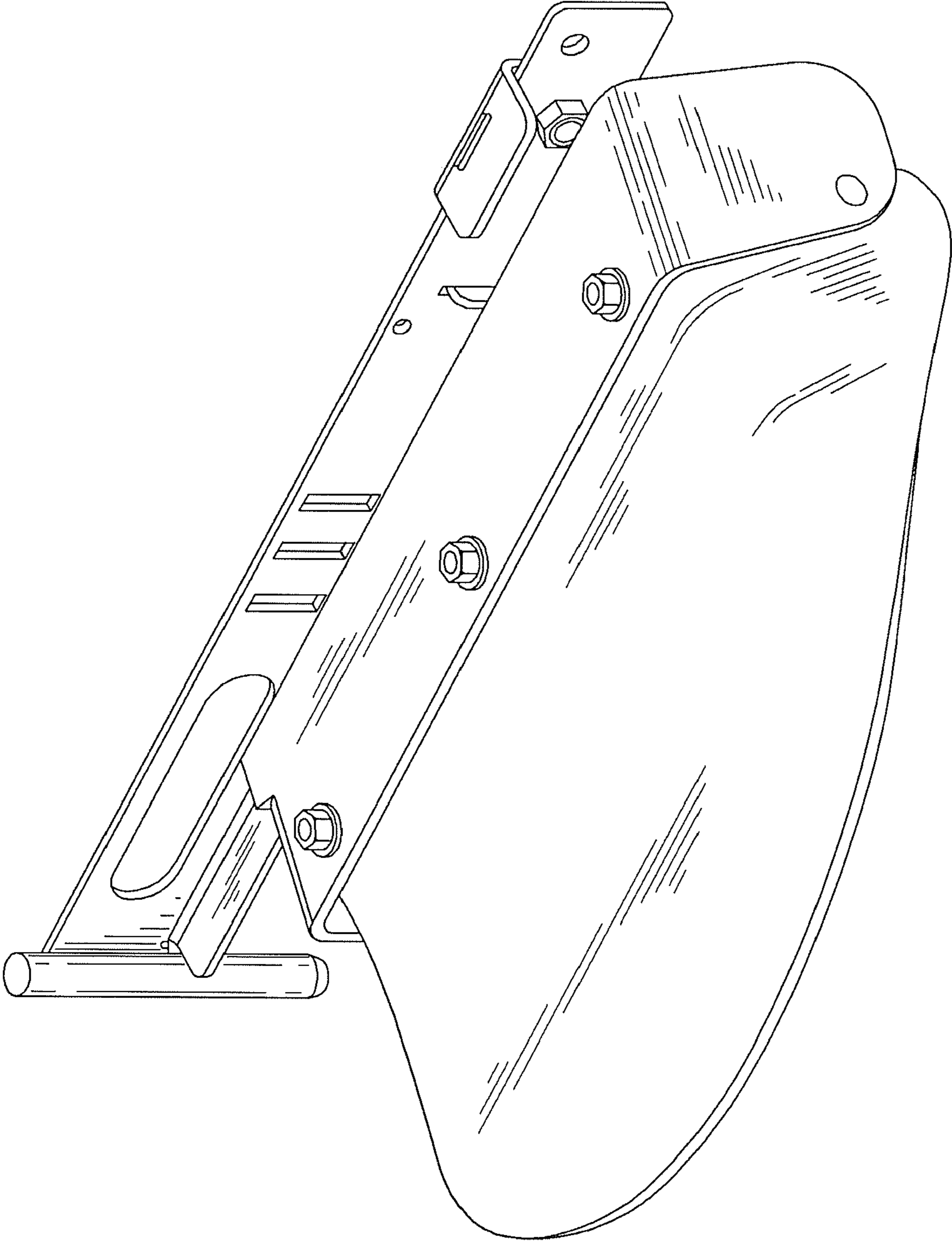


FIG. 2

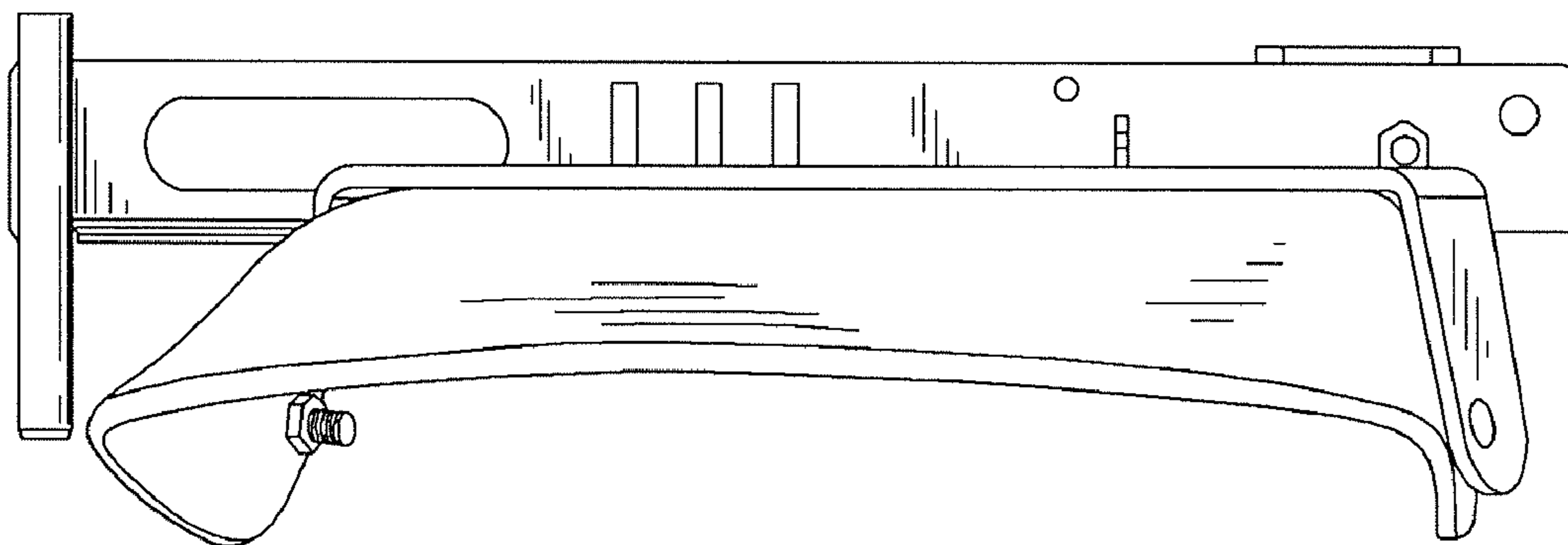


FIG. 3

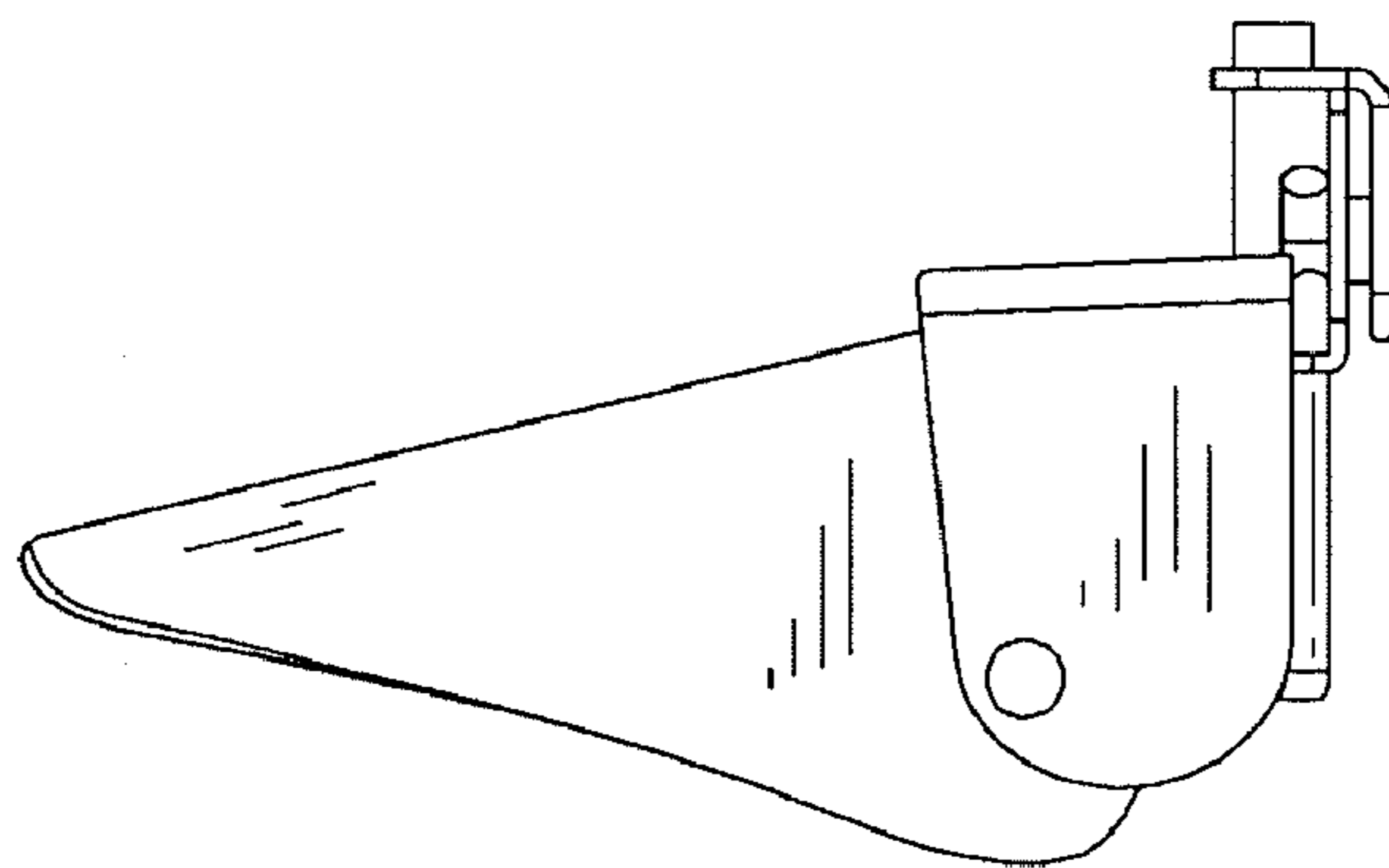


FIG. 4

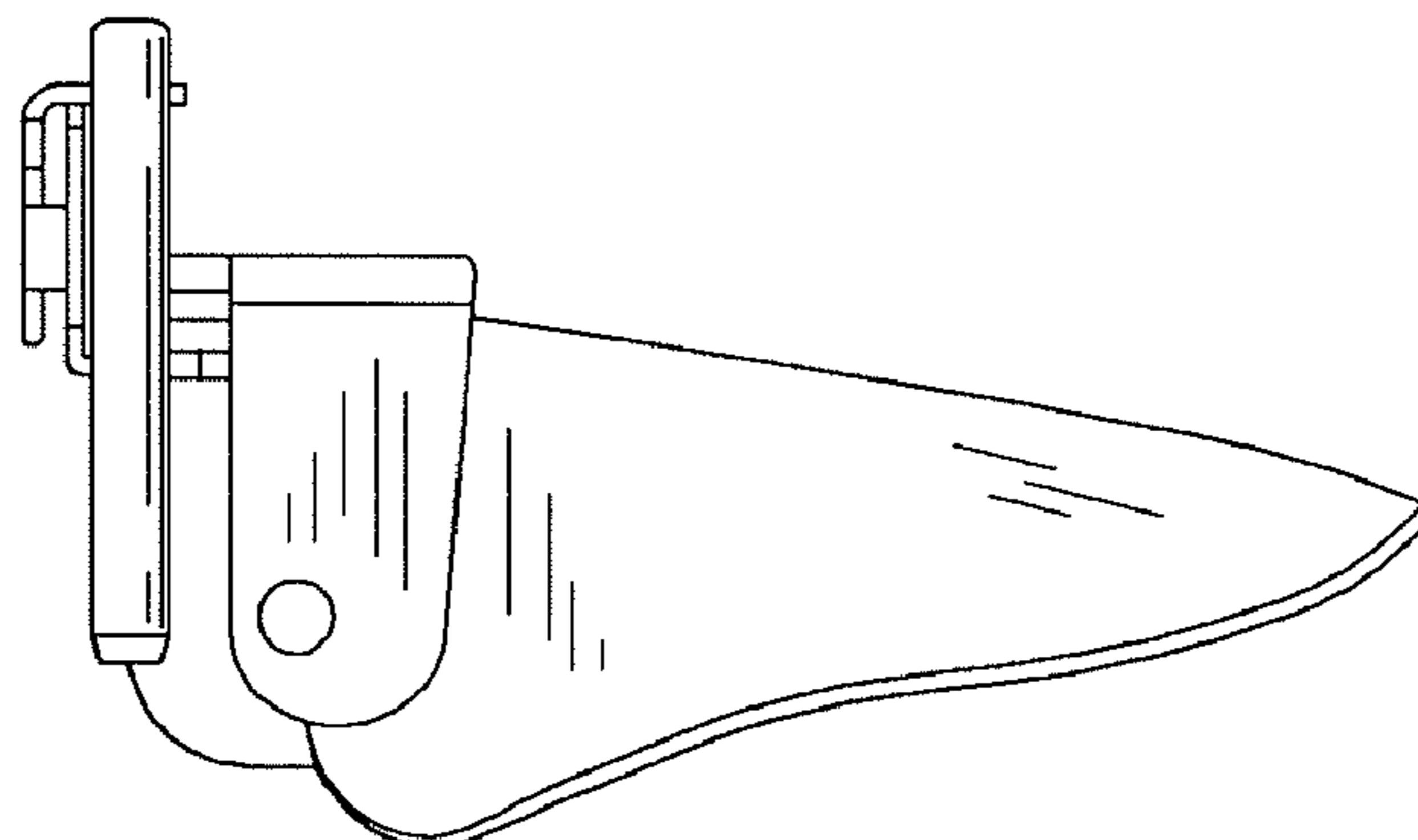


FIG. 5

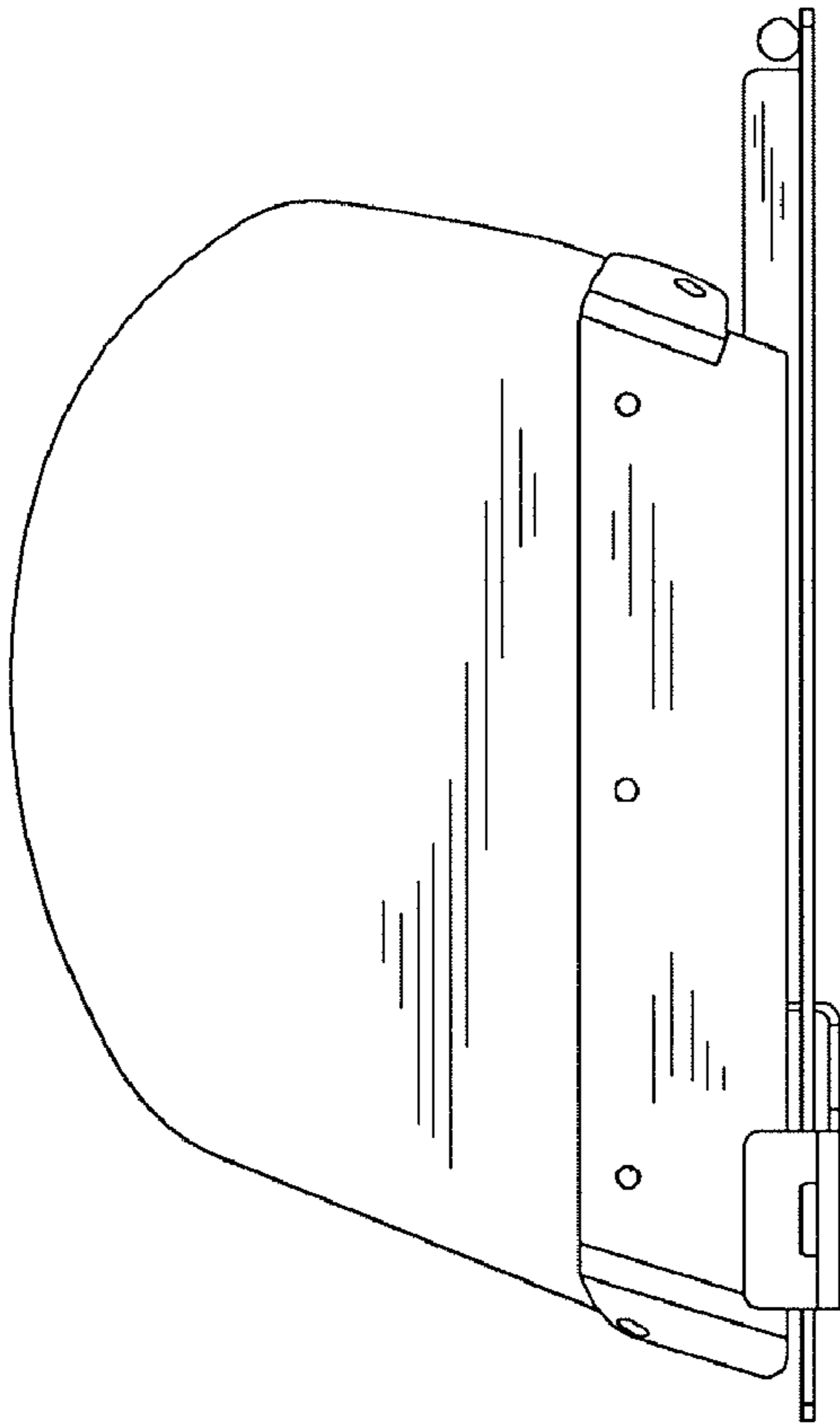


FIG. 6

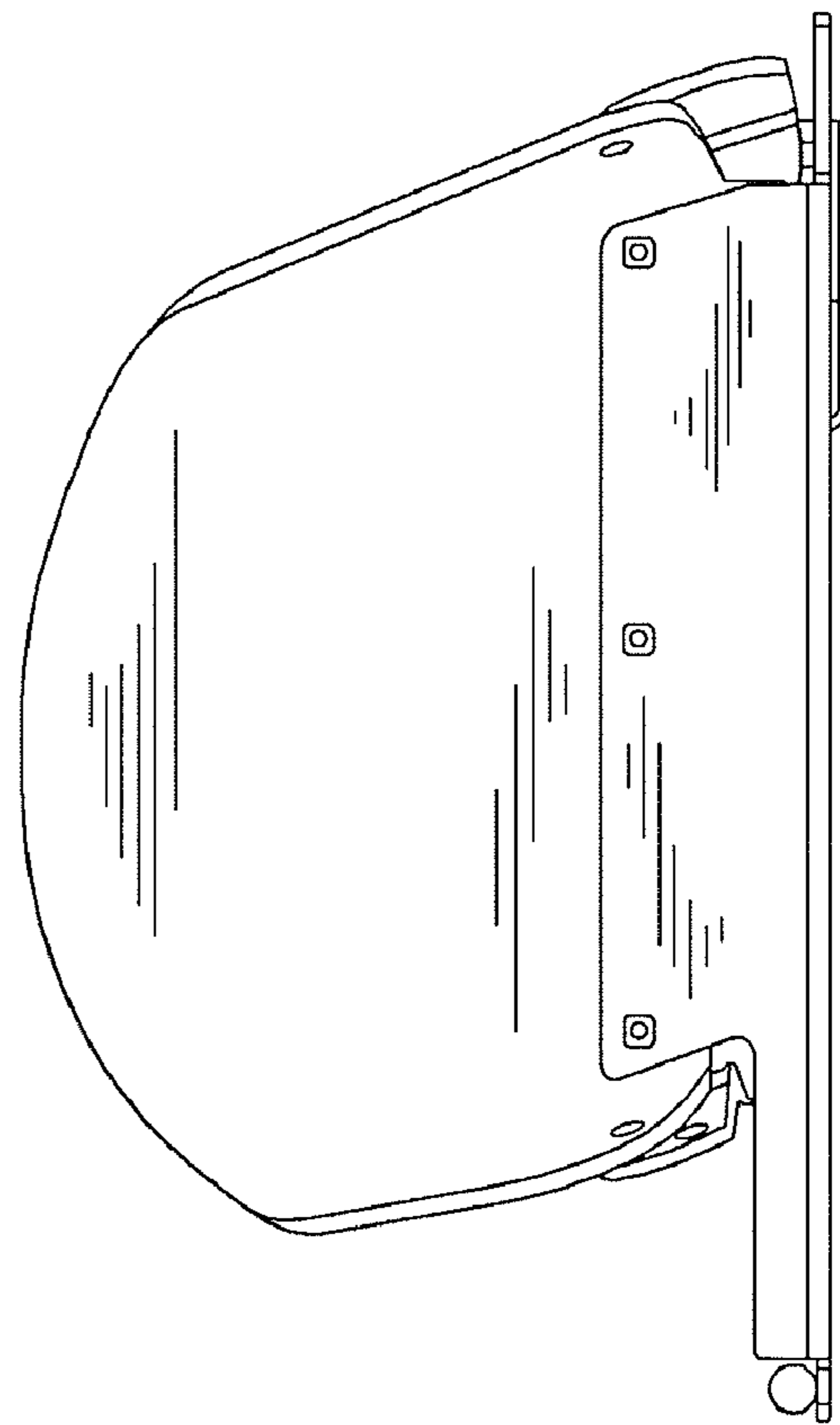


FIG. 7