



US00D556787S

(12) **United States Design Patent**
Taber

(10) **Patent No.:** **US D556,787 S**

(45) **Date of Patent:** **** Dec. 4, 2007**

(54) **COMBINATION AERATOR AND SPREADER**

(75) Inventor: **Jay David Taber**, Sullivan, IL (US)

(73) Assignee: **Agri-Fab, Inc.**, Sullivan, IL (US)

(**) Term: **14 Years**

(21) Appl. No.: **29/249,642**

(22) Filed: **Oct. 16, 2006**

(51) **LOC (8) Cl.** **15-03**

(52) **U.S. Cl.** **D15/13**

(58) **Field of Classification Search** D15/10,
D15/12, 13; D8/6-8; 111/12, 90; 222/625,
222/613, 614, 238, 368

See application file for complete search history.

(56) **References Cited**

U.S. PATENT DOCUMENTS

29,691 A	8/1860	Hariman	
43,181 A	6/1864	Chesney	
571,827 A	11/1896	Burdge	
649,257 A	5/1900	Park	
1,887,334 A	11/1932	Spaeth	
1,914,915 A	6/1933	Handler	
2,246,946 A	6/1941	Lupo	
2,845,884 A	8/1958	Clausing et al.	
2,966,218 A	12/1960	Johnson	
2,975,735 A	3/1961	Purvance	
2,987,018 A	6/1961	Vath	
3,114,481 A *	12/1963	West	222/138
3,207,379 A *	9/1965	Waldrum	222/614
3,446,165 A	5/1969	Magda et al.	
3,528,508 A	9/1970	Stevenson	
3,544,013 A	12/1970	Dorfman	
3,685,468 A	8/1972	Paige et al.	
D228,649 S *	10/1973	Picardat	D15/13
3,893,515 A *	7/1975	Sadler	172/60

D240,152 S *	6/1976	Raffler et al.	D15/13
D241,263 S *	8/1976	Luckhurst	D15/13
3,995,569 A	12/1976	Picardat	
4,032,074 A *	6/1977	Amerine	239/685
4,196,678 A	4/1980	Lore et al.	
4,235,376 A	11/1980	Cohen et al.	
4,624,195 A *	11/1986	Doering	111/12
D338,894 S *	8/1993	Simpson	D15/13
D338,895 S *	8/1993	Sale	D15/13
5,611,291 A	3/1997	Pogue	
5,632,342 A	5/1997	Knoblich et al.	
5,662,172 A	9/1997	Brown	
5,787,990 A	8/1998	Miller	
6,427,613 B1	8/2002	Reidel	

* cited by examiner

Primary Examiner—Mitchell Siegel

Assistant Examiner—Mark Goodwin

(74) *Attorney, Agent, or Firm*—Vedder Price Kaufman & Kammholz

(57) **CLAIM**

The ornamental design for a combination aerator and spreader, as shown.

DESCRIPTION

FIG. 1 is a perspective view of the combination aerator and spreader showing my new design;

FIG. 2 is a front view of my design;

FIG. 3 is a back view of my design;

FIG. 4 is a left view of my design;

FIG. 5 is a right view of my design;

FIG. 6 is a top view of my design; and,

FIG. 7 is a bottom view of my design.

1 Claim, 3 Drawing Sheets

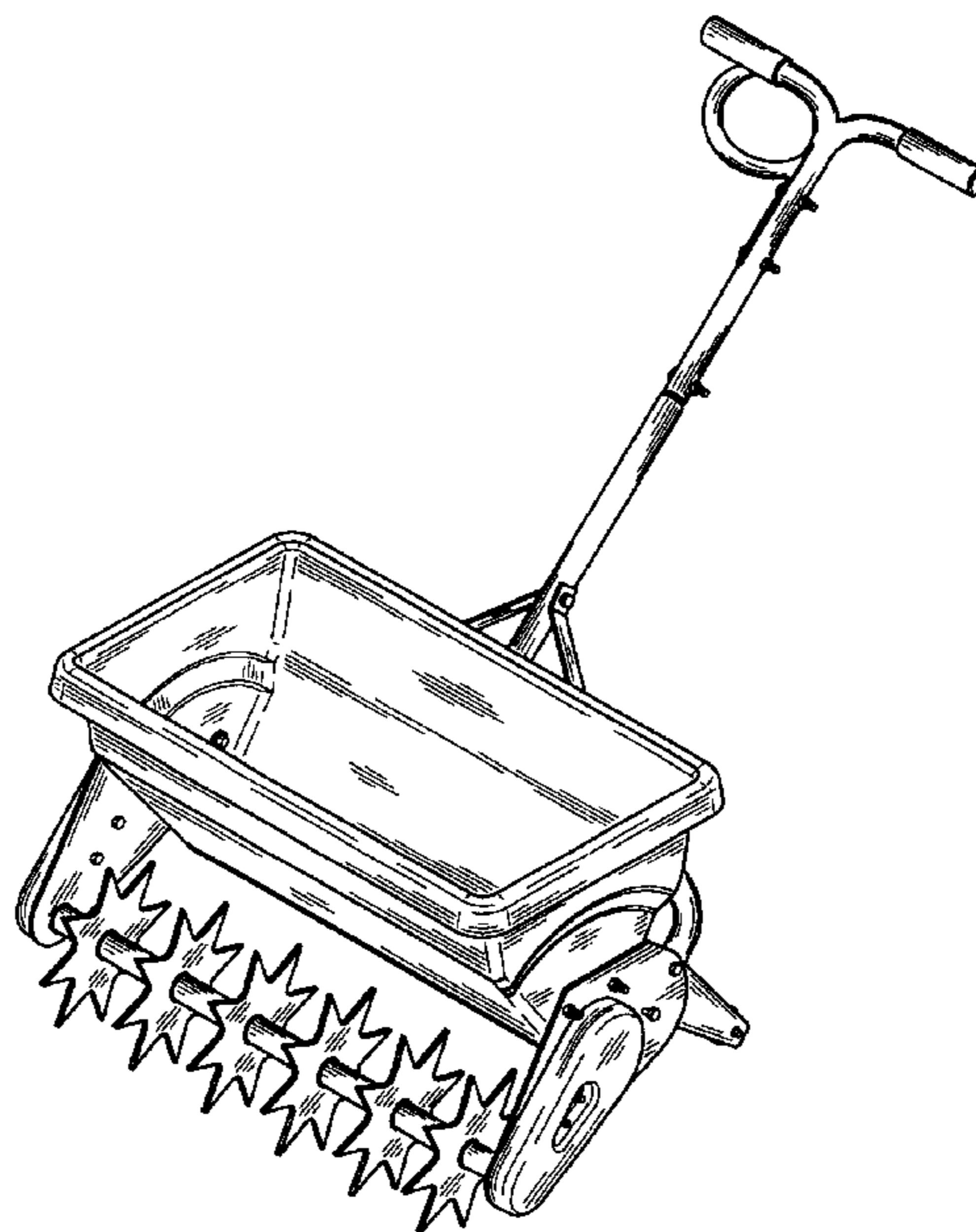




FIG. 1

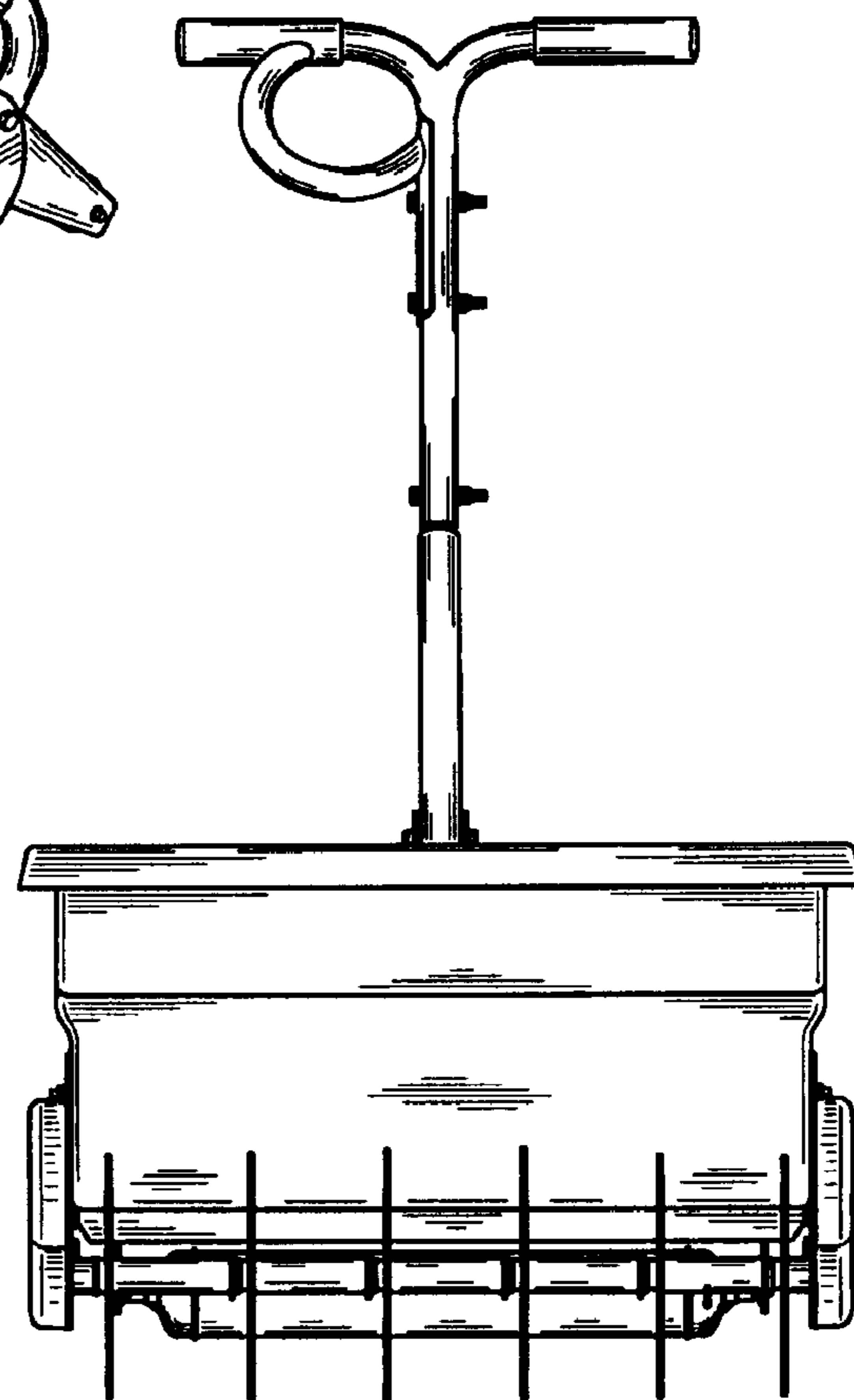


FIG. 2

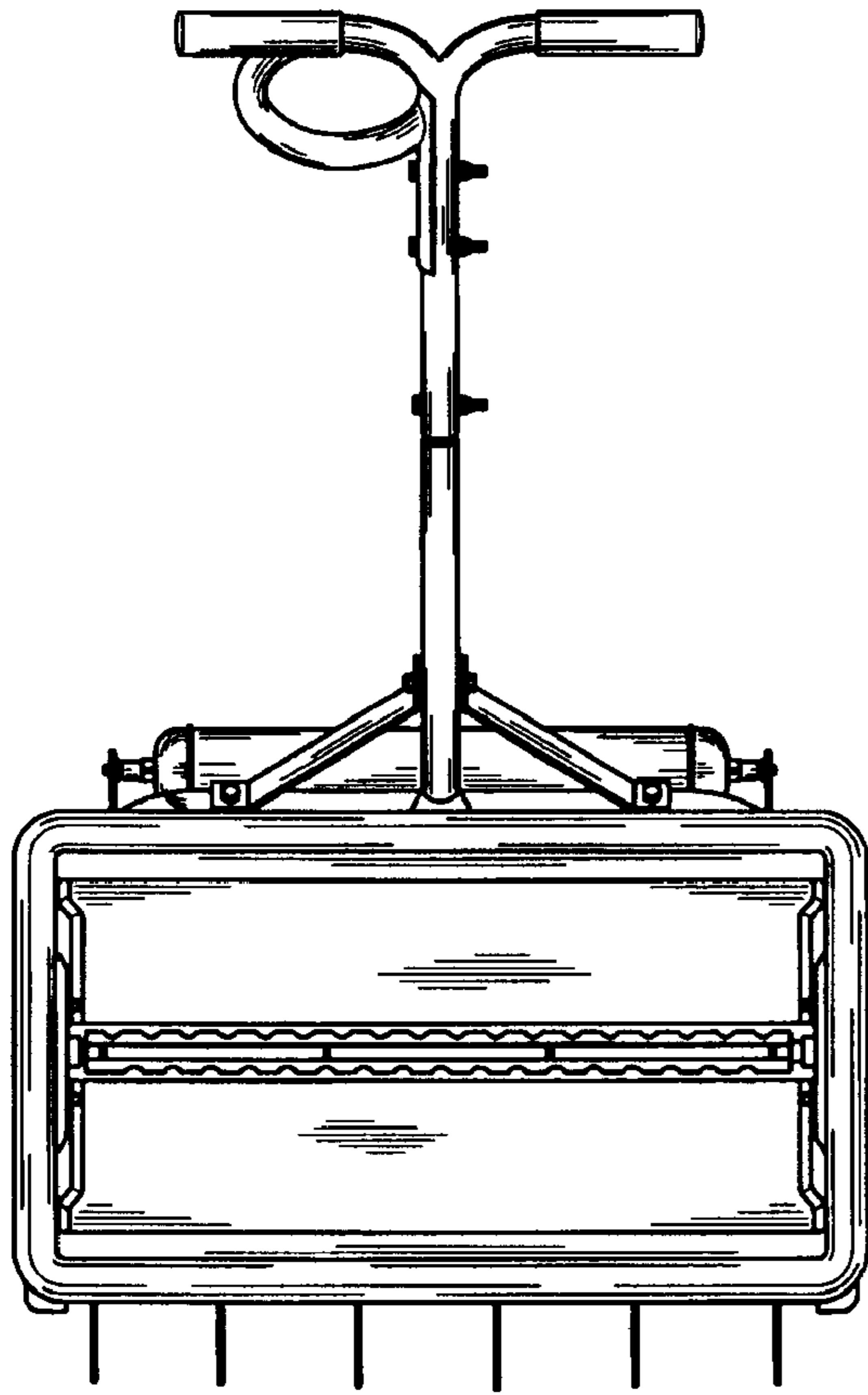


FIG. 3

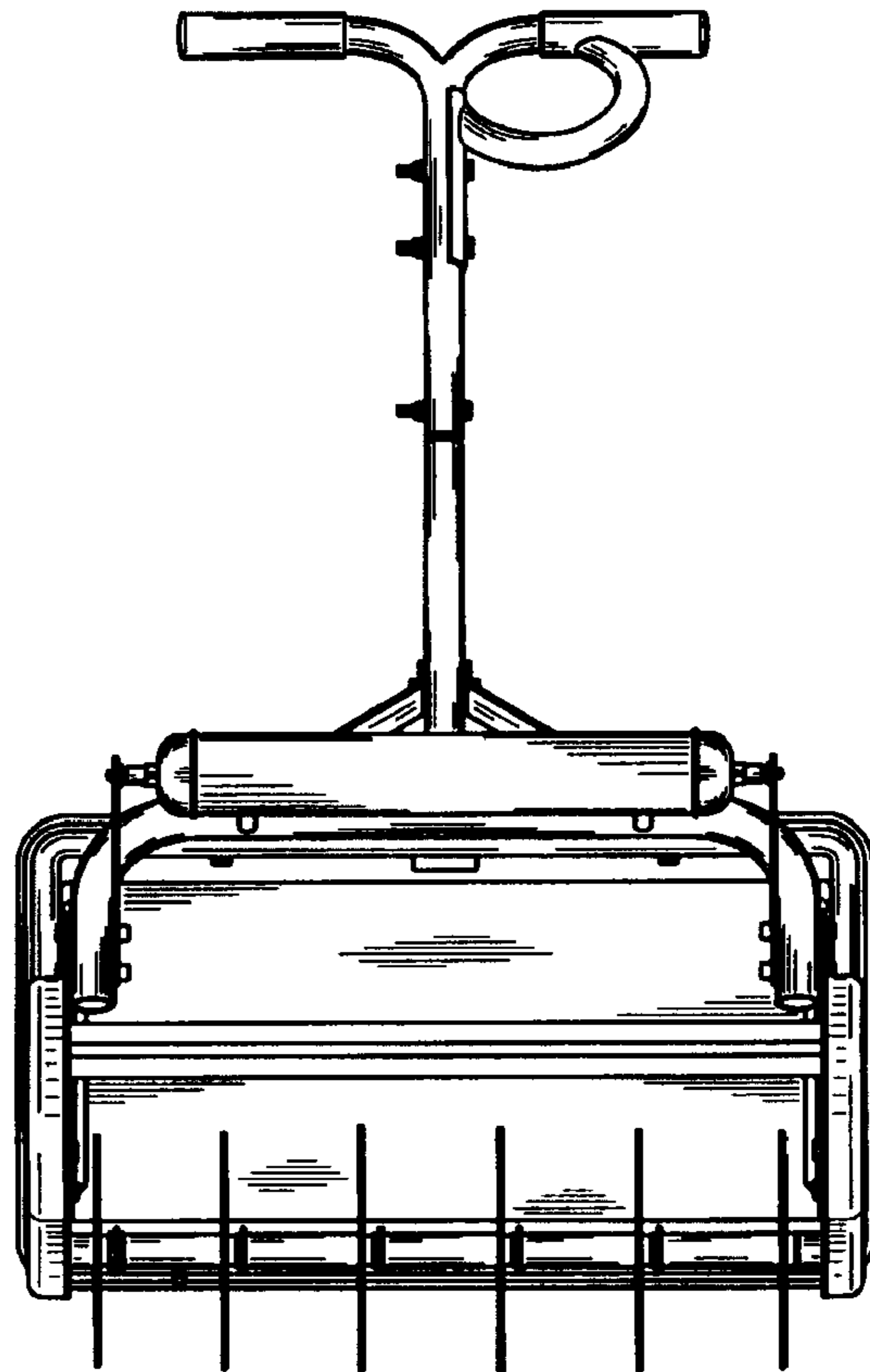


FIG. 4

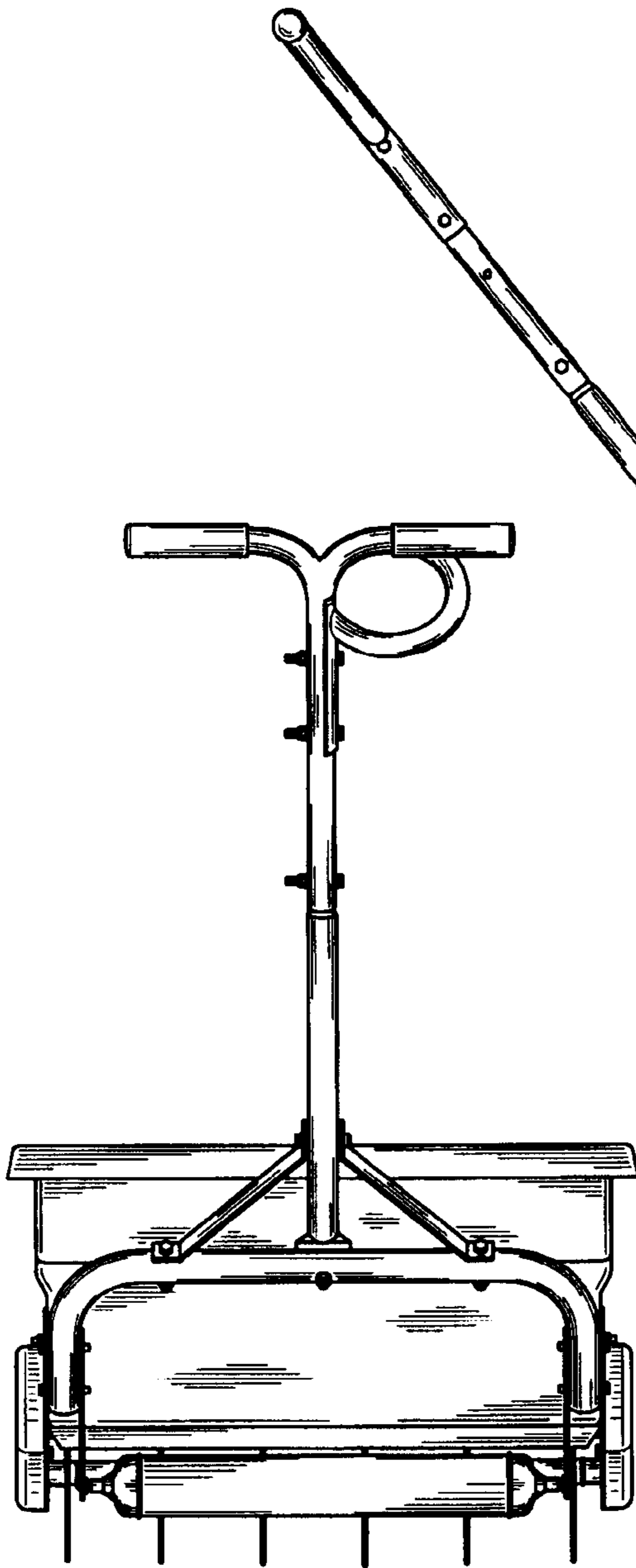


FIG. 5

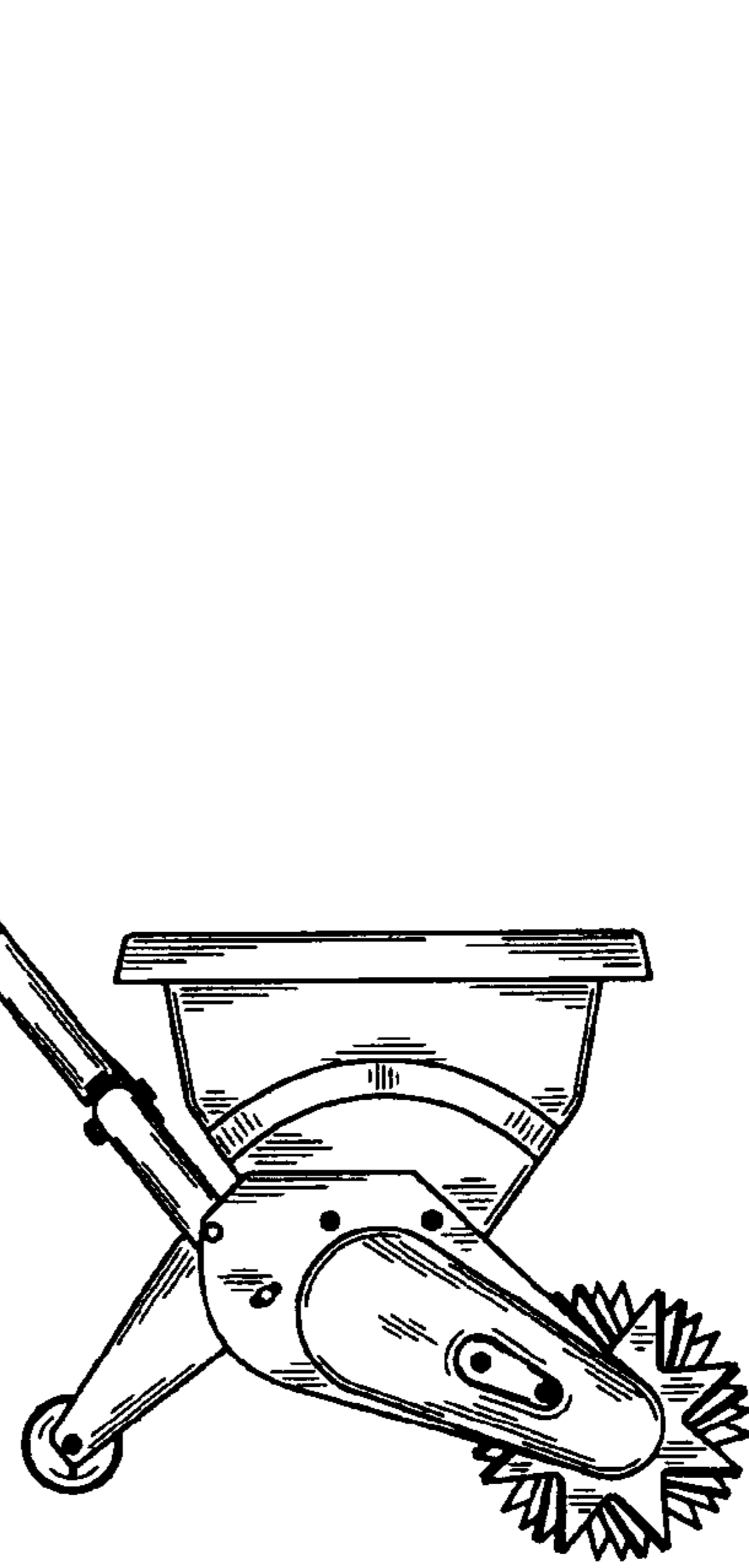


FIG. 6

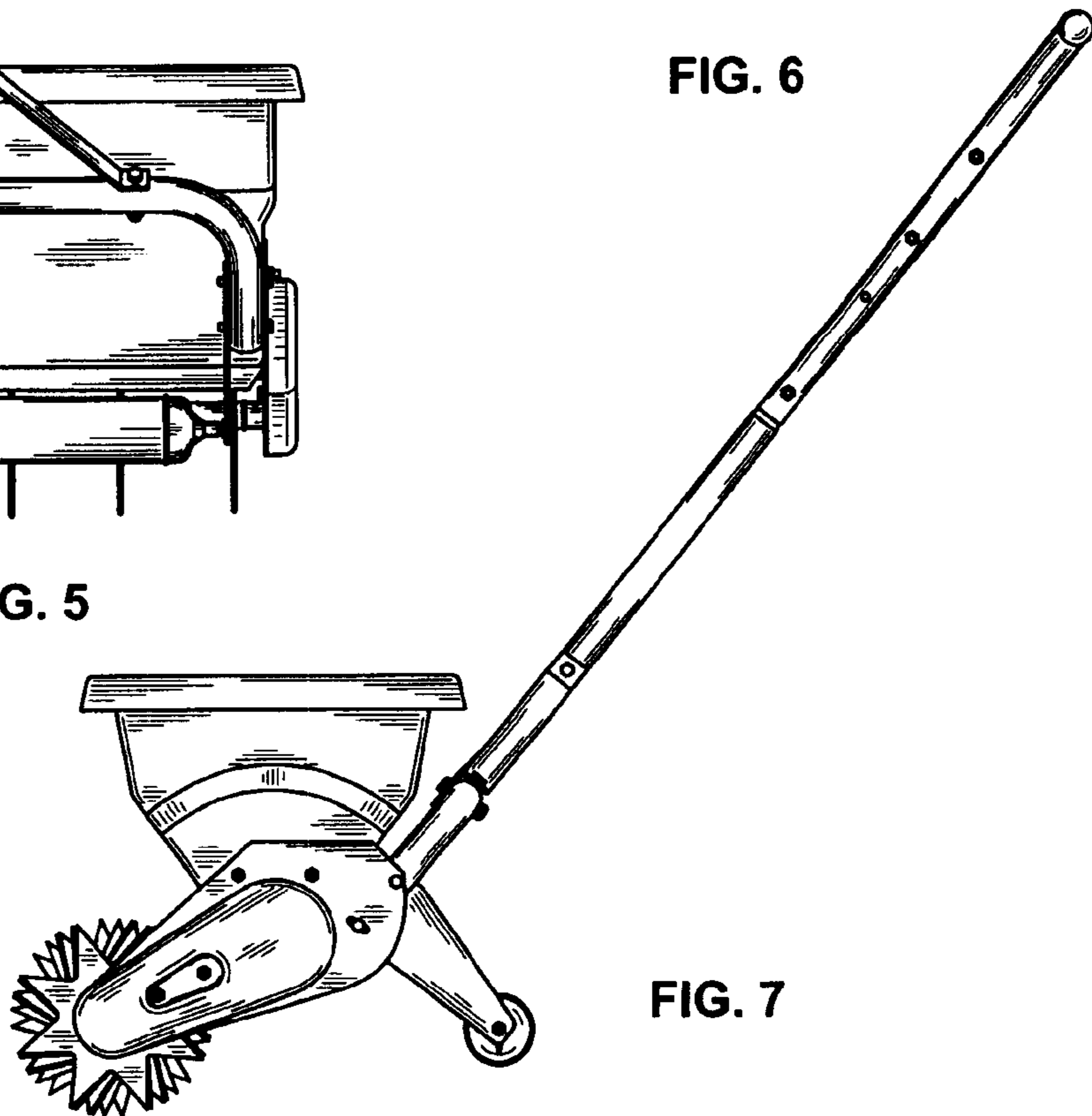


FIG. 7