



US00D556783S

(12) **United States Design Patent** (10) **Patent No.:** **US D556,783 S**  
**Chu** (45) **Date of Patent:** **\*\* Dec. 4, 2007**

(54) **CAP FOR AIR COMPRESSOR**

*Primary Examiner*—Ralf Seifert  
(74) *Attorney, Agent, or Firm*—Charles E. Baxley

(76) **Inventor:** **Henry C. Chu**, 133N. Lemon St.,  
Orange, CA (US) 92866

(57) **CLAIM**

(\*\*) **Term:** **14 Years**

The ornamental design for a cap for air compressor, as shown and described.

(21) **Appl. No.:** **29/268,515**

(22) **Filed:** **Nov. 7, 2006**

**DESCRIPTION**

(51) **LOC (8) Cl.** ..... **15-02**

FIG. 1 is a front perspective view of a cap for air compressor showing my new design;

(52) **U.S. Cl.** ..... **D15/9**

FIG. 2 is a front elevational view thereof;

(58) **Field of Classification Search** ..... D15/7-9;  
D23/232, 231; 417/359, 415-416, 410.1,  
417/321, 265, 405

FIG. 3 is a rear elevational view thereof;

See application file for complete search history.

FIG. 4 is a top plan view thereof;

FIG. 5 is a bottom plan view thereof;

(56) **References Cited**

FIG. 6 is a left side elevational view thereof;

**U.S. PATENT DOCUMENTS**

FIG. 7 is a right side elevational view thereof;

D506,477 S *	6/2005	Chu et al.	.....	D15/9
D507,280 S *	7/2005	Chu et al.	.....	D15/9
D529,049 S *	9/2006	Chu	.....	D15/9
D529,050 S *	9/2006	Chu	.....	D15/9
D529,517 S *	10/2006	Chu	.....	D15/9
D529,927 S *	10/2006	Chu	.....	D15/9
D529,928 S *	10/2006	Chu	.....	D15/9
D529,929 S *	10/2006	Chu	.....	D15/9
D529,930 S *	10/2006	Chu	.....	D15/9
D533,881 S *	12/2006	Chu	.....	D15/9

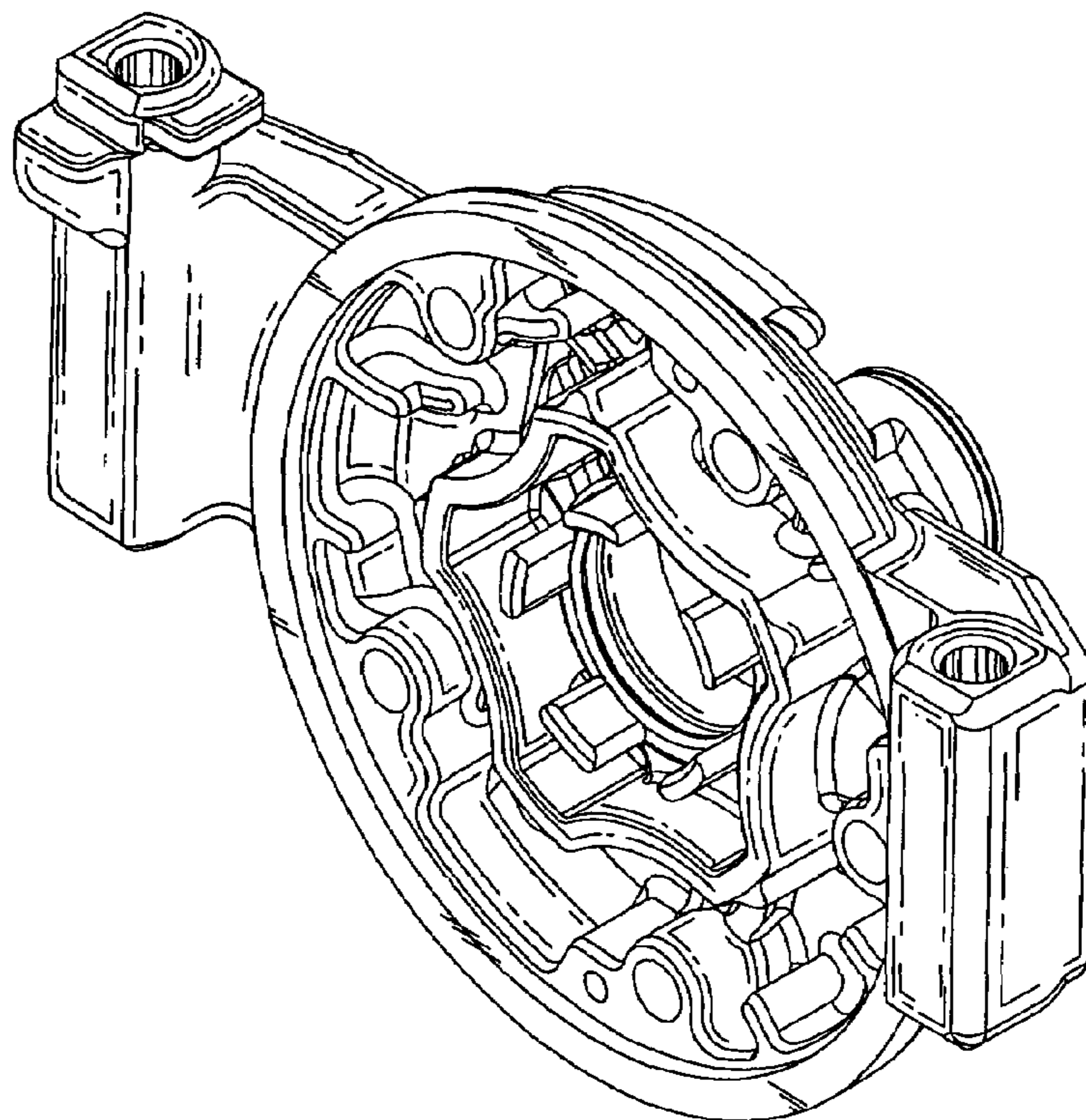
FIG. 8 is a rear elevational view thereof;

FIG. 9 is a rear elevational view thereof, the protrusion and the bulges depicted by means of broken lines being for illustrative purposes only and forming no part of the claimed design; and,

FIG. 10 is a front perspective view thereof, the recess depicted by means of broken lines being for illustrative purposes only and forming no part of the claimed design.

\* cited by examiner

**1 Claim, 9 Drawing Sheets**



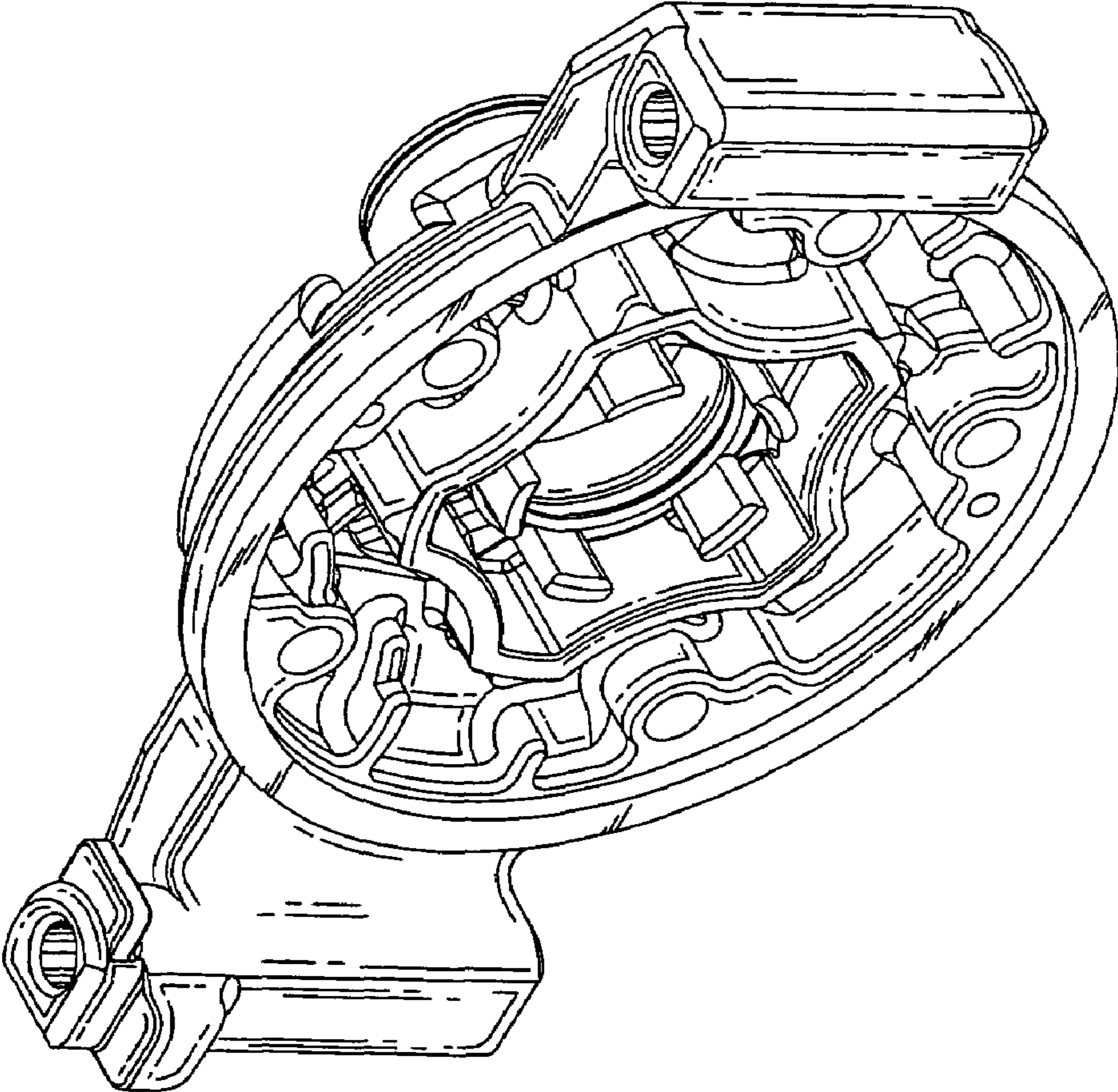


FIG. 1

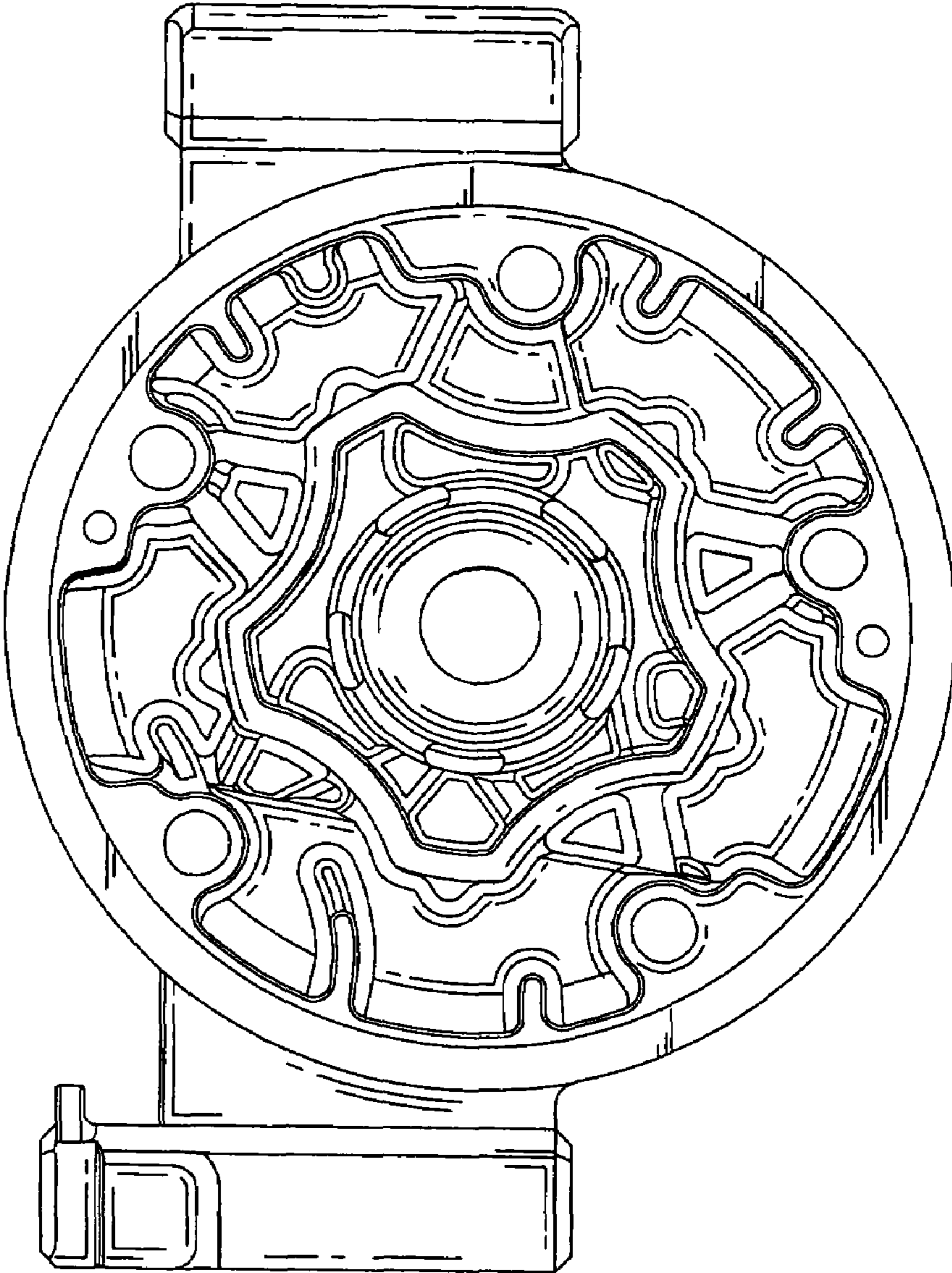


FIG. 2

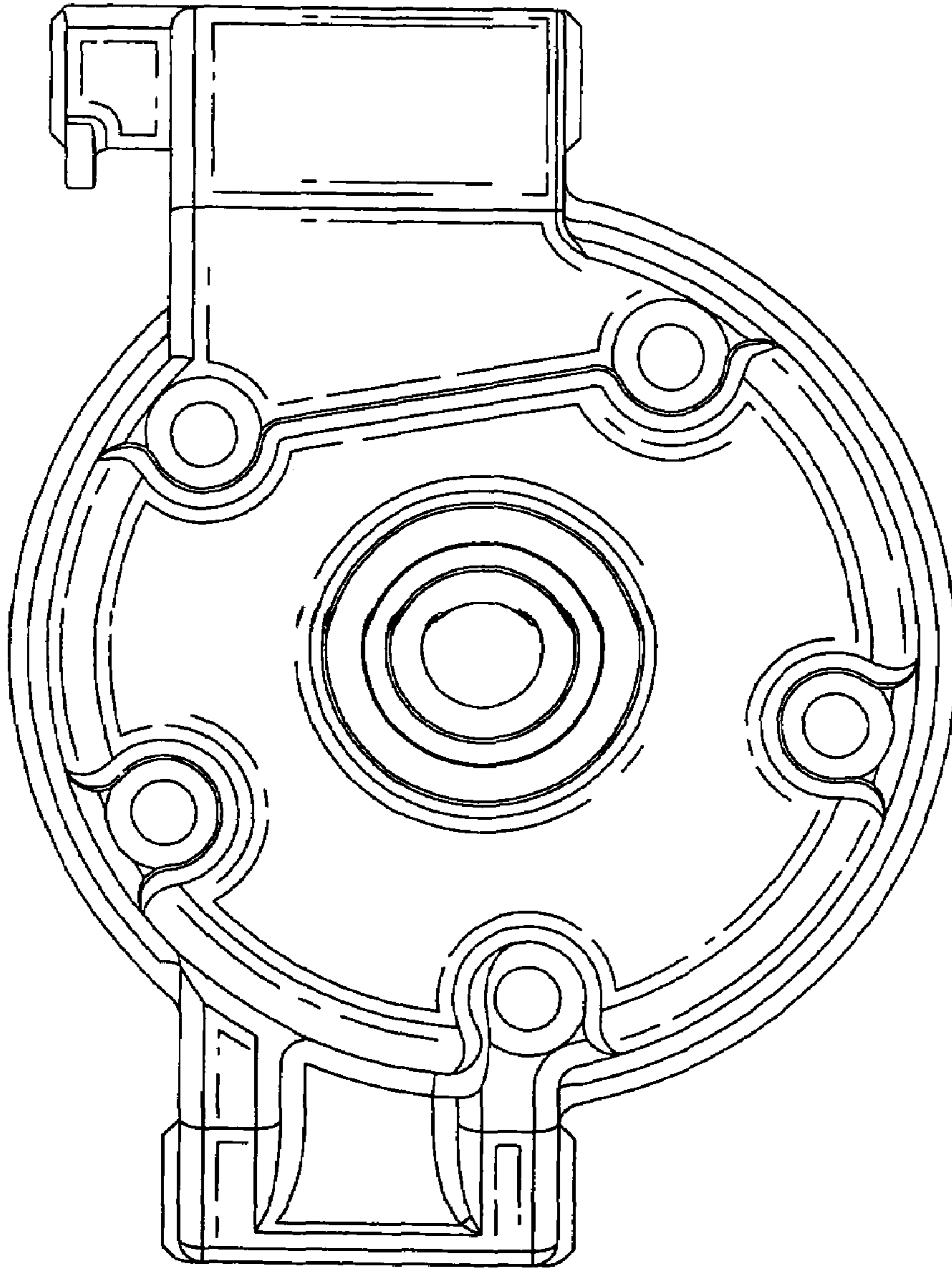


FIG. 3

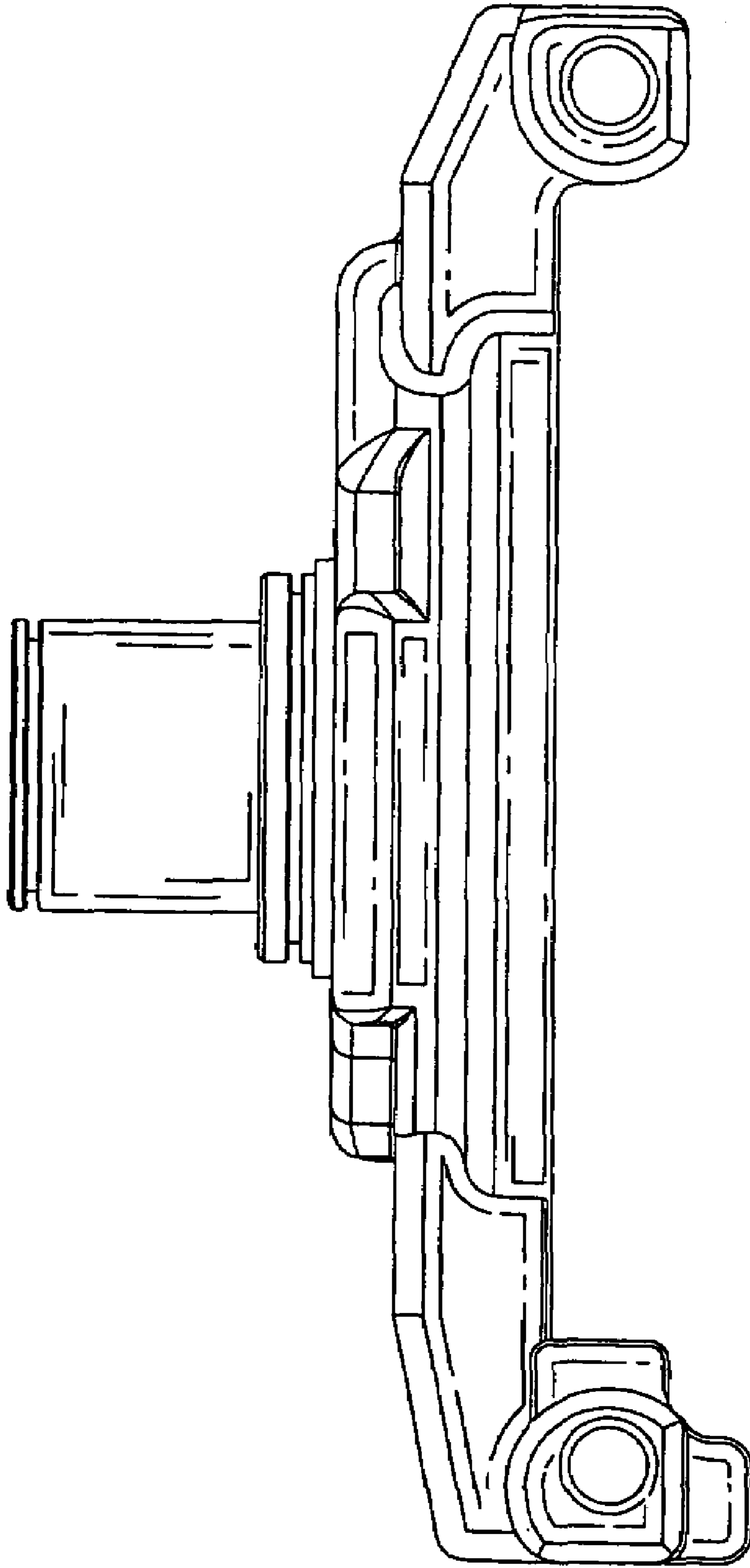


FIG. 4

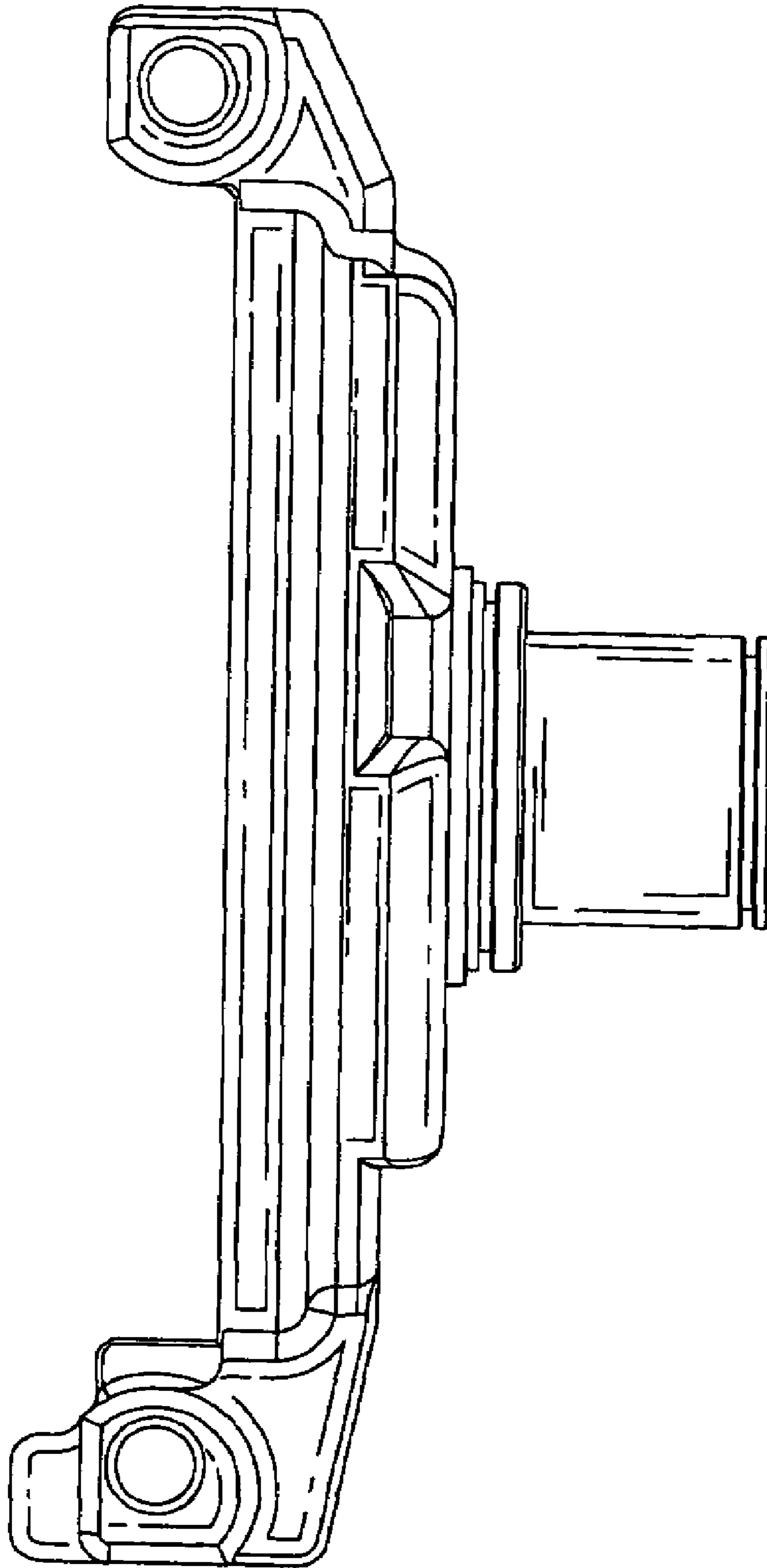


FIG. 5

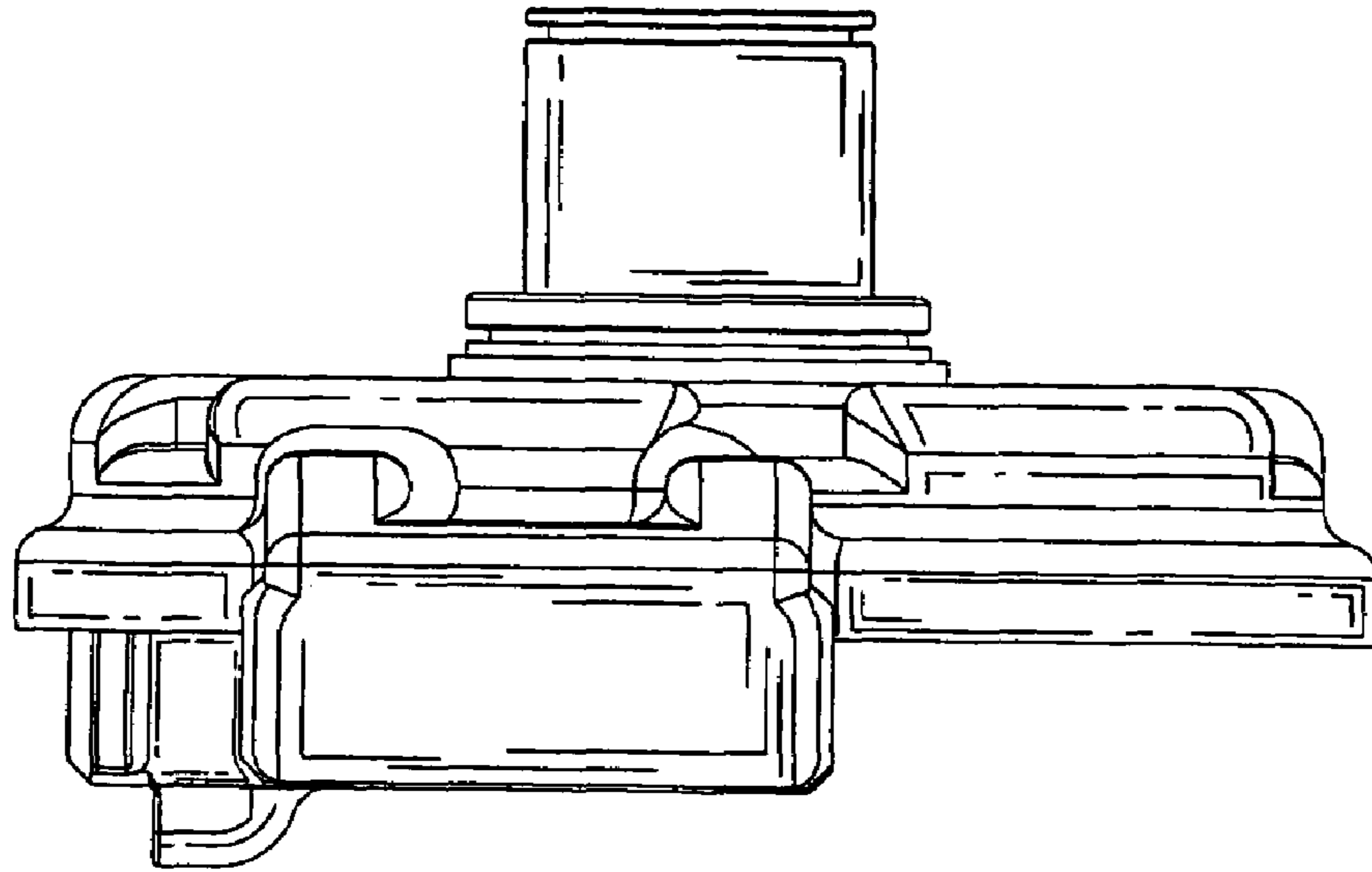


FIG. 6

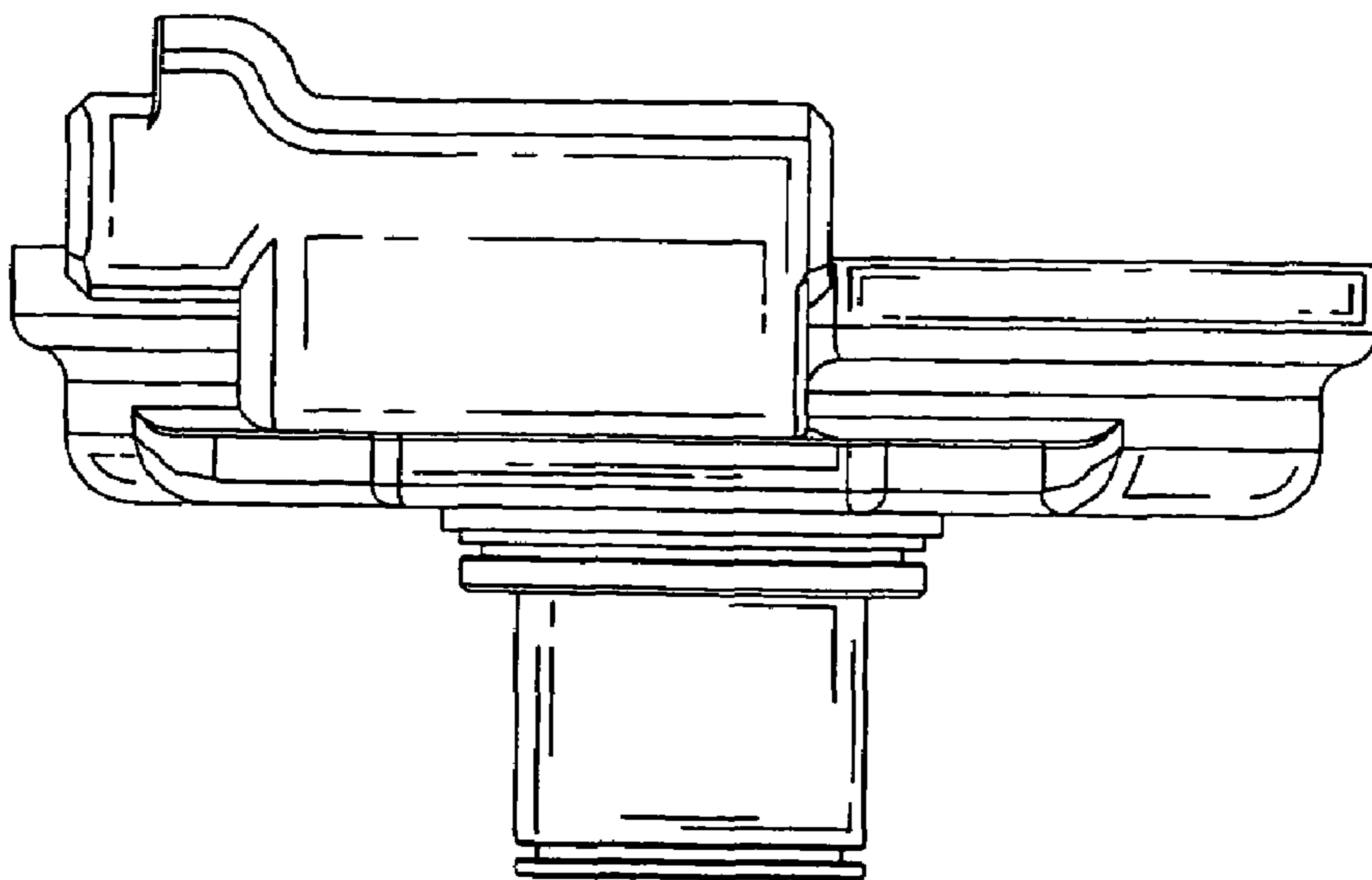


FIG. 7

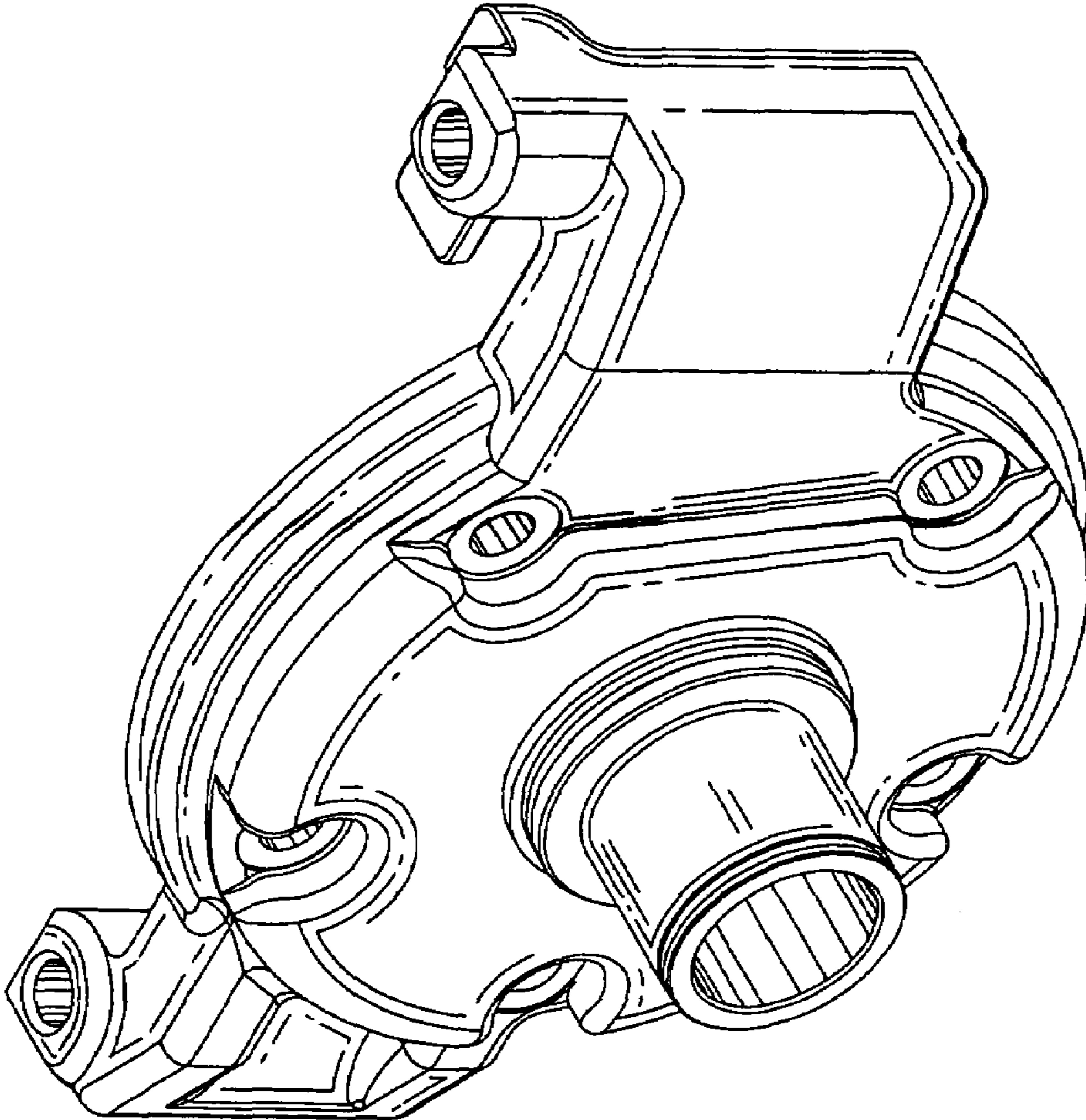


FIG. 8



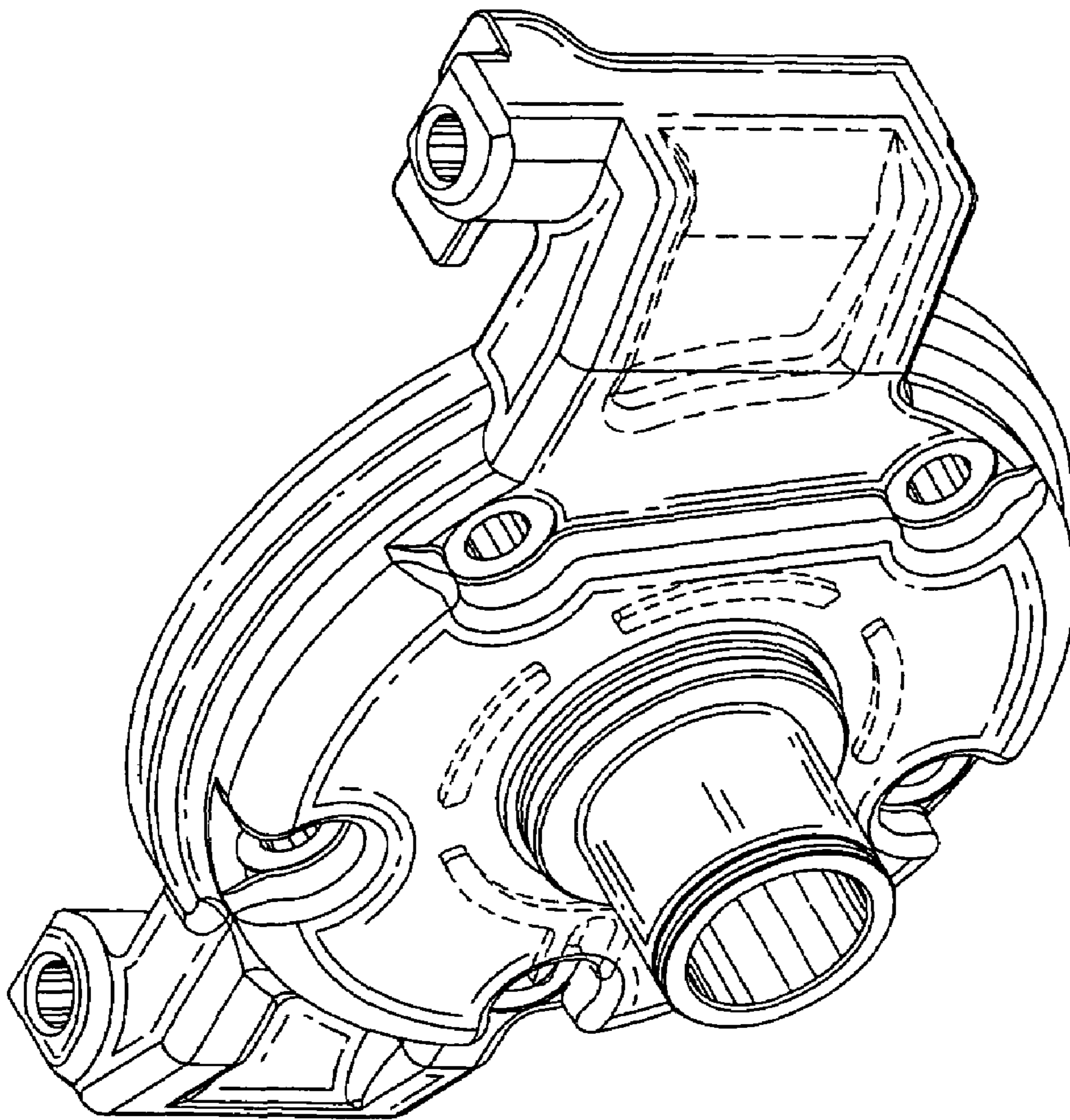


FIG. 9

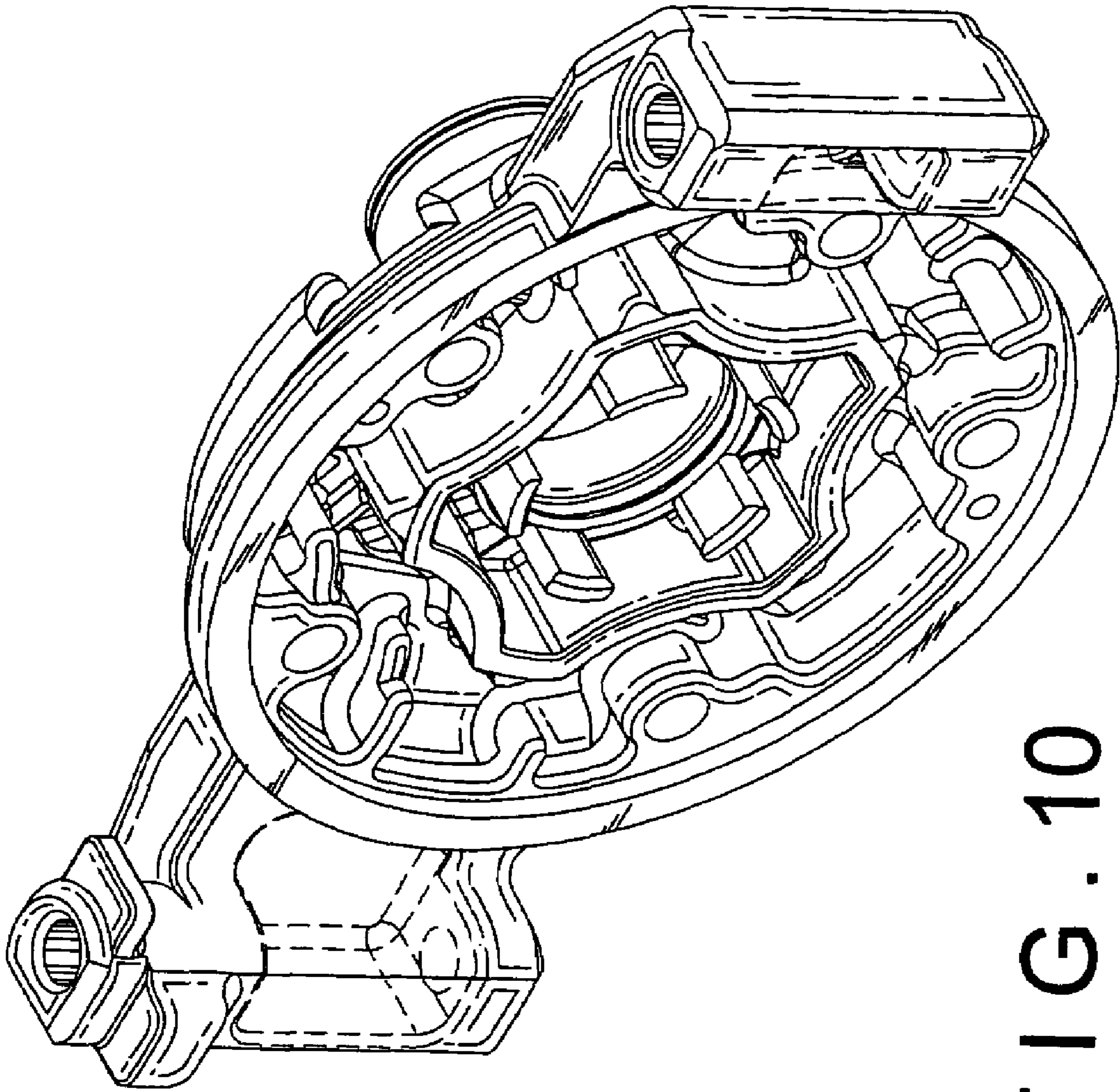


FIG. 10