



US00D556778S

(12) **United States Design Patent**
Yoshimatsu et al.

(10) **Patent No.:** **US D556,778 S**

(45) **Date of Patent:** **** Dec. 4, 2007**

(54) **INTERNAL COMBUSTION ENGINE**

(75) Inventors: **Atsuhiro Yoshimatsu**, Akashi (JP);
Keiichi Nakamizo, Hyogo (JP)

(73) Assignee: **Kawasaki Jukogyo Kabushiki Kaisha**,
Hyogo (JP)

(**) Term: **14 Years**

(21) Appl. No.: **29/202,276**

(22) Filed: **Mar. 29, 2004**

(30) **Foreign Application Priority Data**

Oct. 16, 2003 (JP) 2003-030443

(51) **LOC (8) Cl.** **15-01**

(52) **U.S. Cl.** **D15/3**

(58) **Field of Classification Search** D15/1-3;
123/195.3, 198 E, 41, 50, 50 B, 50 R, 65 R,
123/70 R

See application file for complete search history.

(56) **References Cited**

U.S. PATENT DOCUMENTS

D293,114 S * 12/1987 Brogdon D15/1
D294,832 S * 3/1988 Itou et al. D15/1
D307,147 S * 4/1990 Sasaki et al. D15/1
D307,148 S * 4/1990 Mikado D15/1

D353,381 S * 12/1994 Yoshida et al. D15/1
D367,070 S * 2/1996 Maeda et al. D15/1
D396,045 S * 7/1998 Neeley D15/1
D396,476 S * 7/1998 Shimizu D15/1
D474,783 S * 5/2003 Momoi D15/1
D488,167 S * 4/2004 Momoi D15/1

* cited by examiner

Primary Examiner—Ian Simmons

Assistant Examiner—Maurice Stevens

(57) **CLAIM**

The ornamental design for an internal combustion engine, as shown and described.

DESCRIPTION

FIG. 1 is a front elevational view of internal combustion engine showing our new design;

FIG. 2 is a rear elevational view thereof;

FIG. 3 is a top plan view thereof;

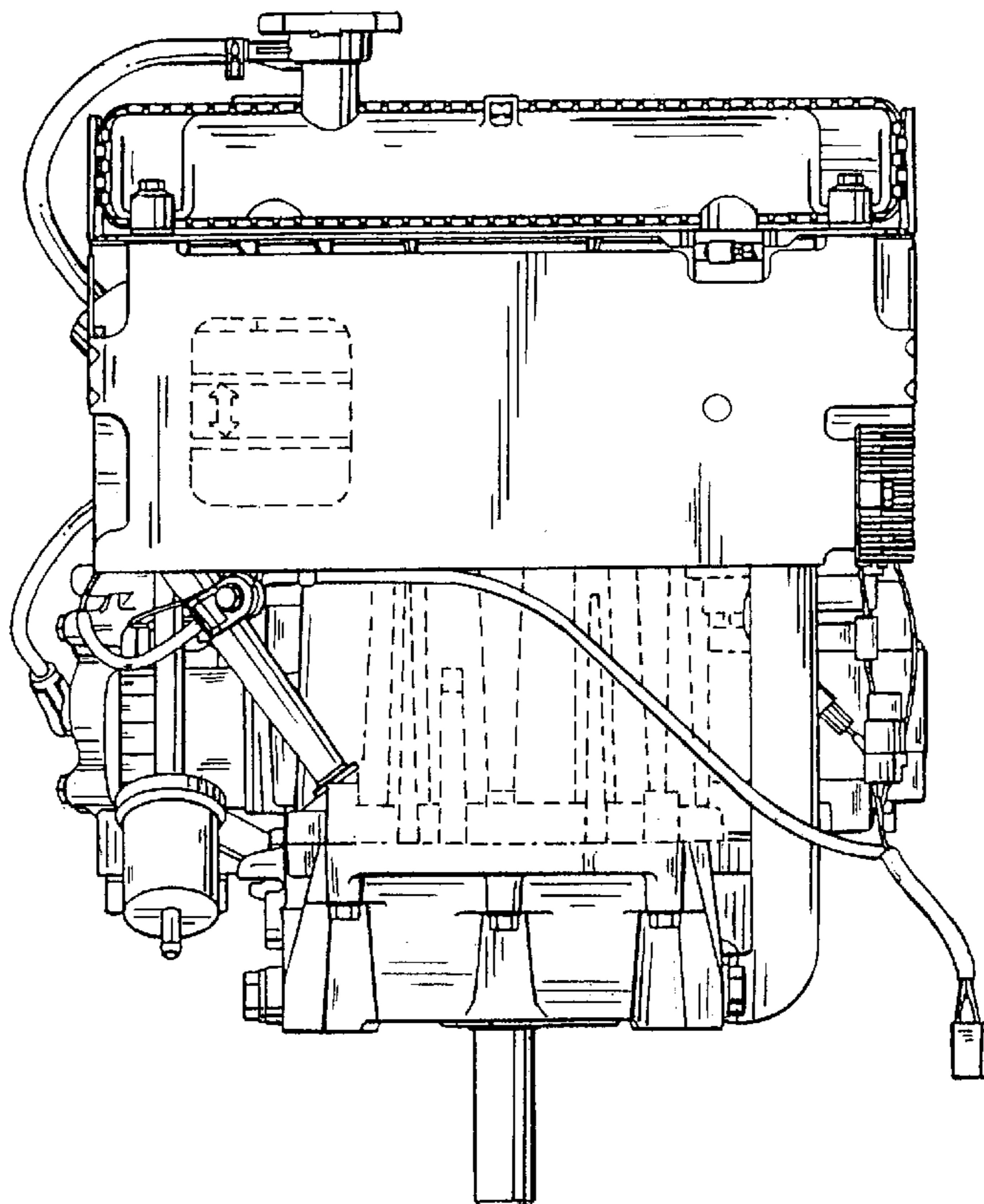
FIG. 4 is a bottom plan view thereof;

FIG. 5 is a right side elevational view thereof; and,

FIG. 6 is a left side elevational view thereof.

The broken lines shown in FIGS. 2, 4, 5 and 6 are for illustrative purposes only and form no part of the claimed design.

1 Claim, 6 Drawing Sheets



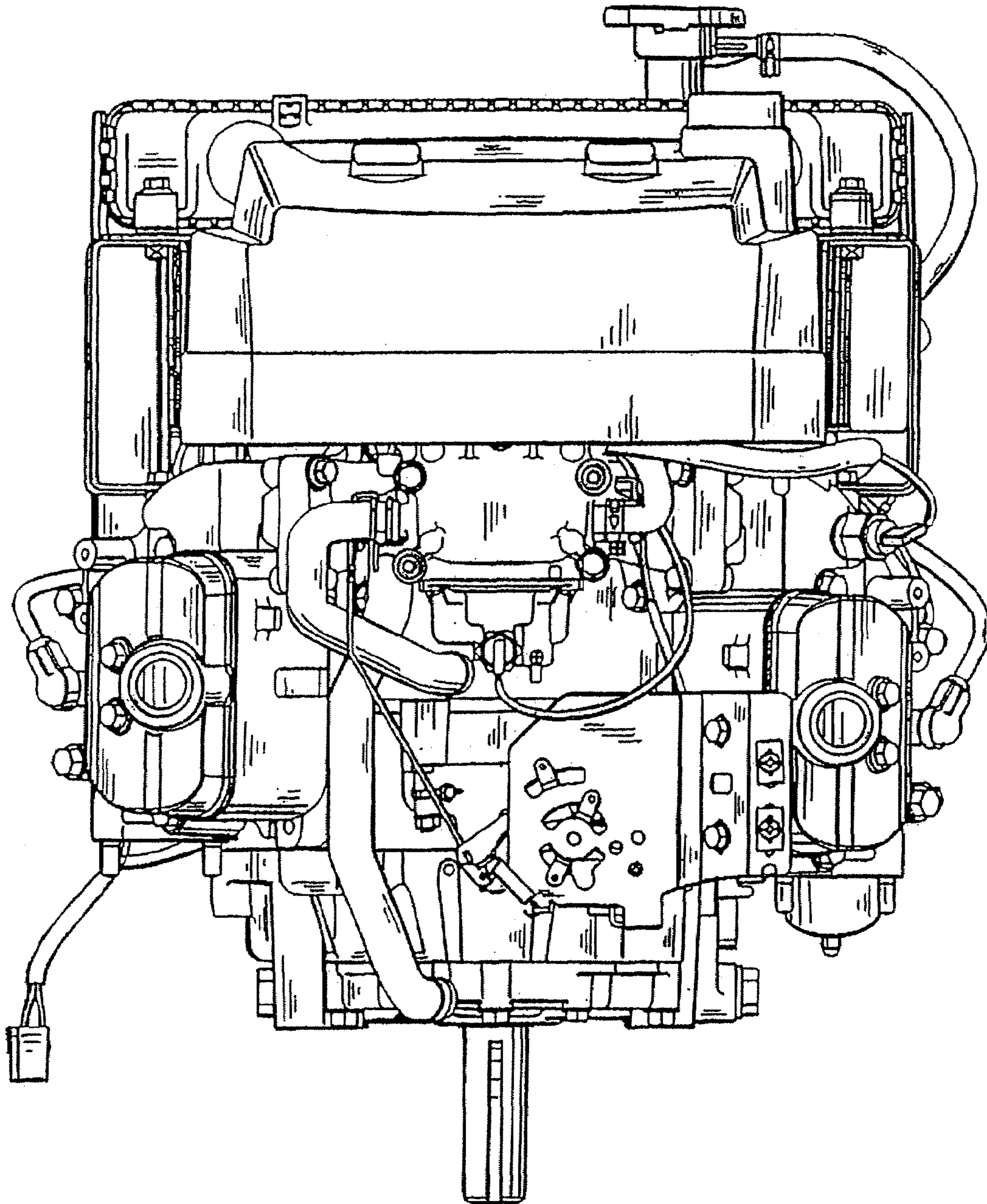


FIG. 1

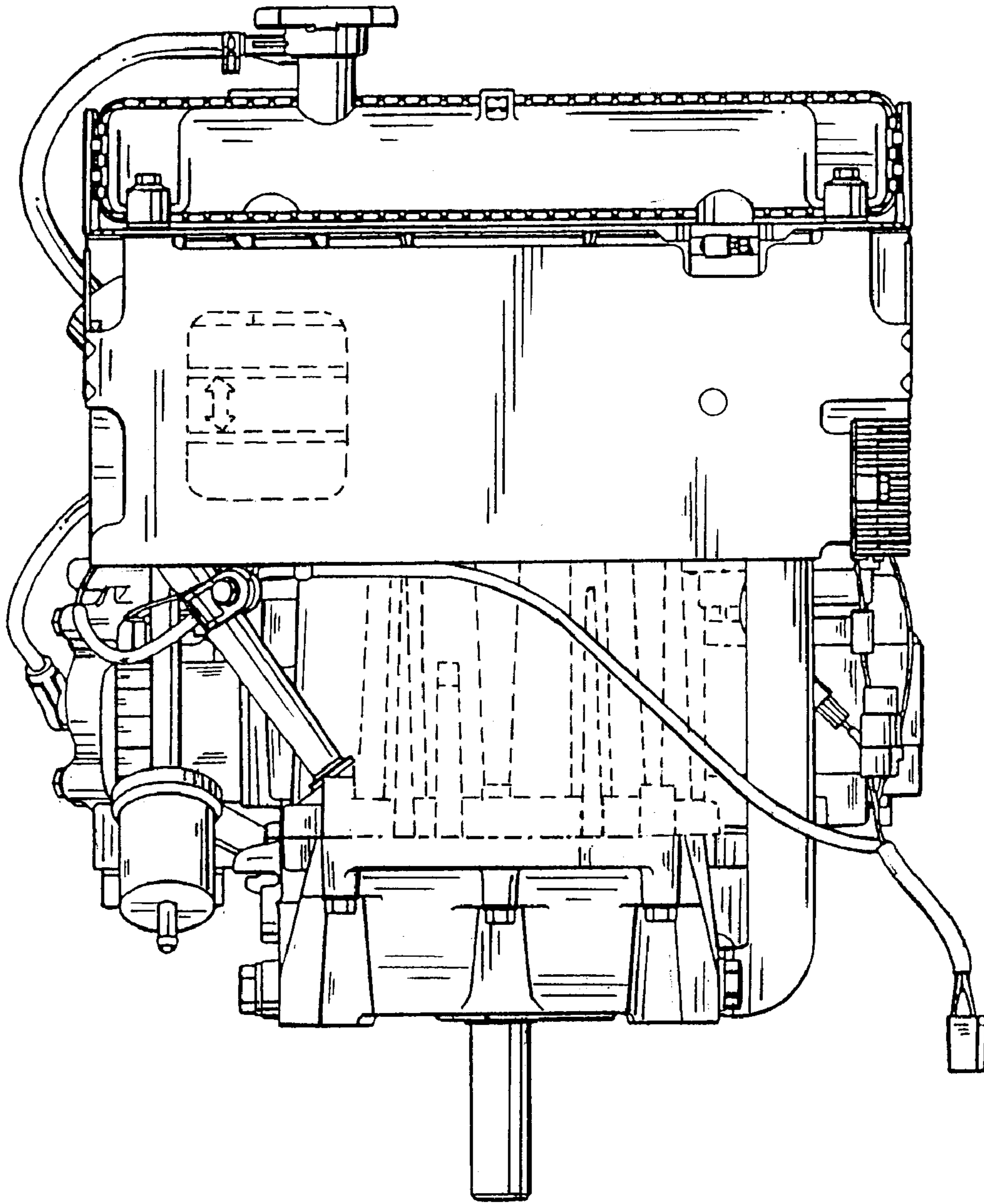


FIG. 2

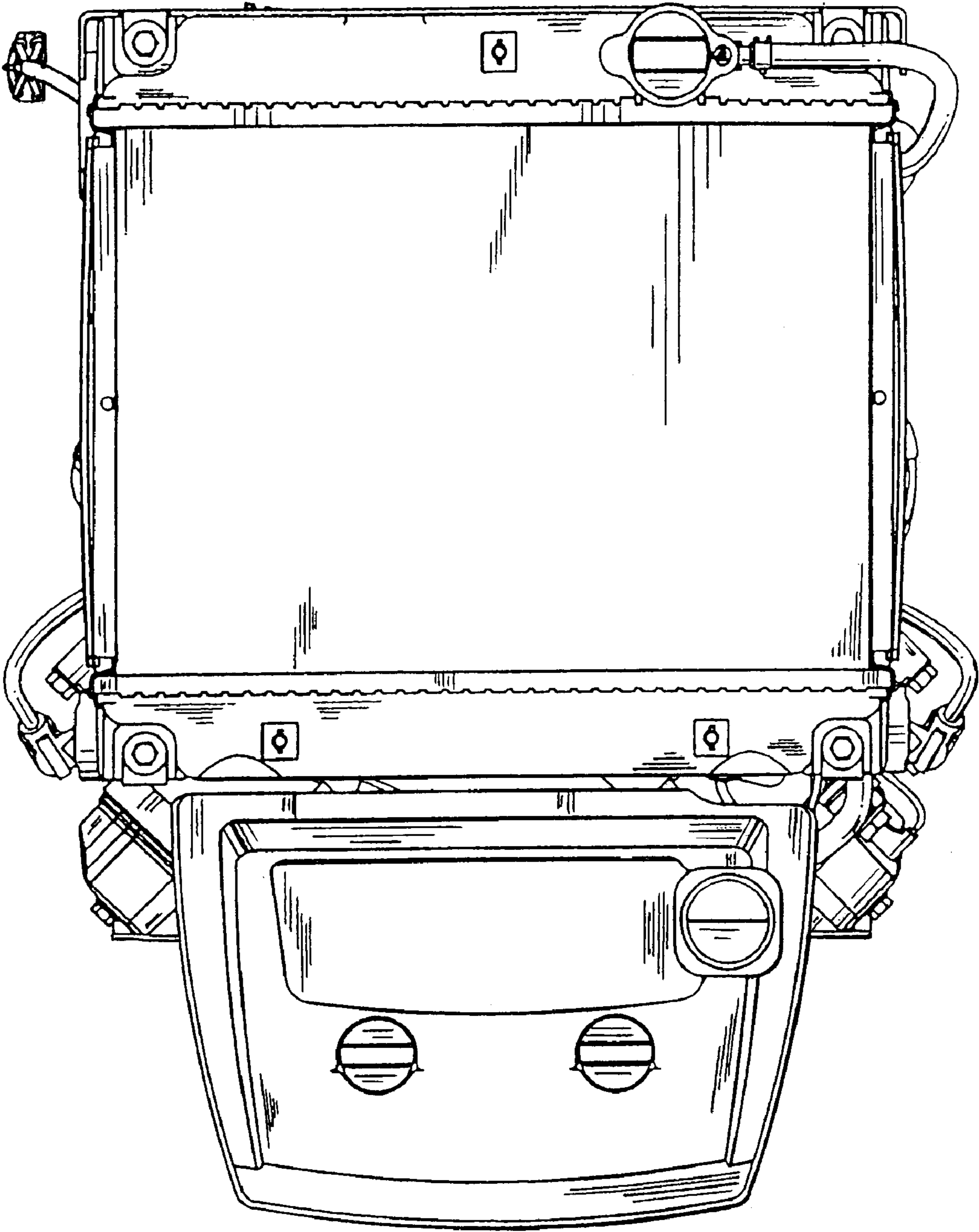


FIG. 3

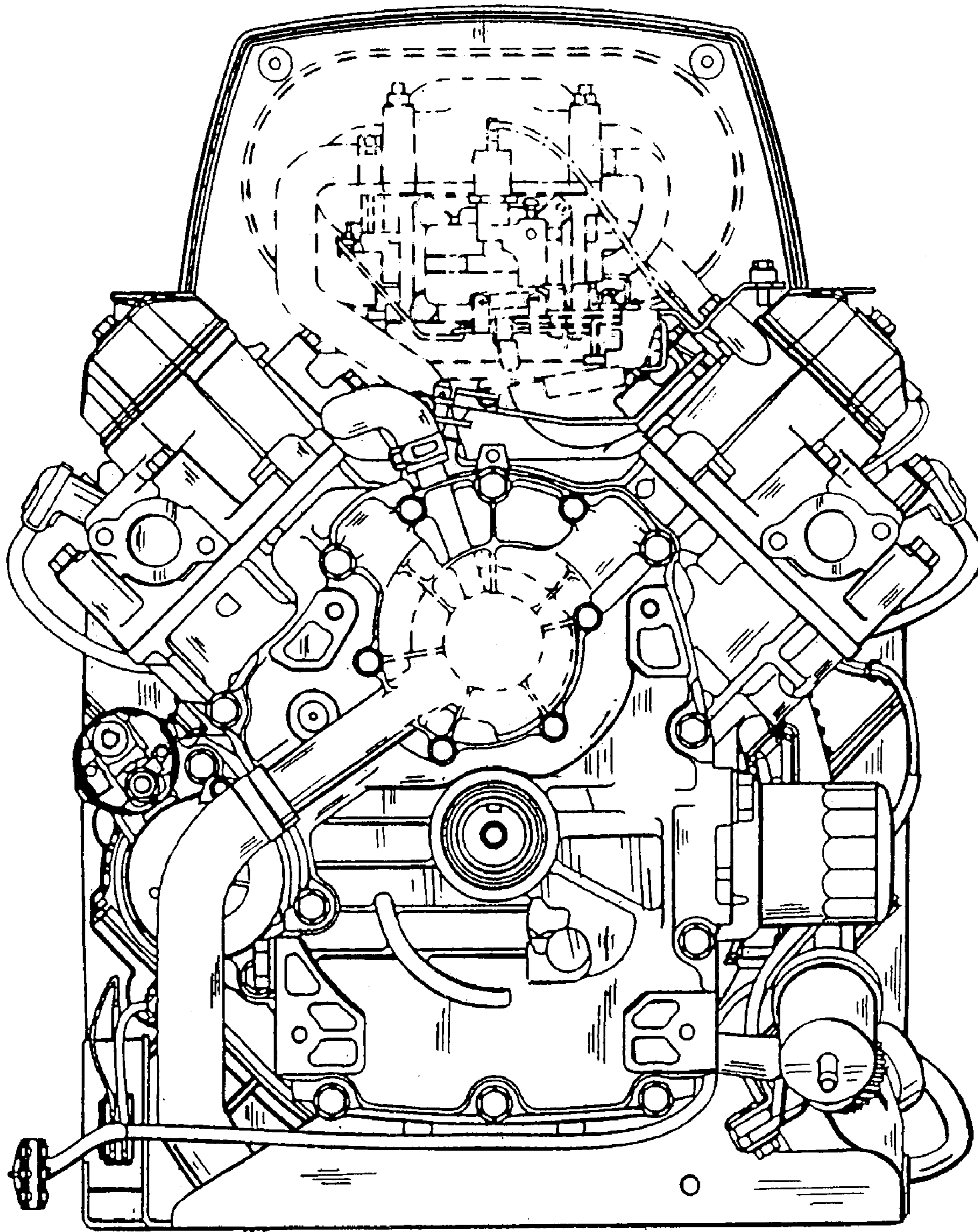


FIG. 4

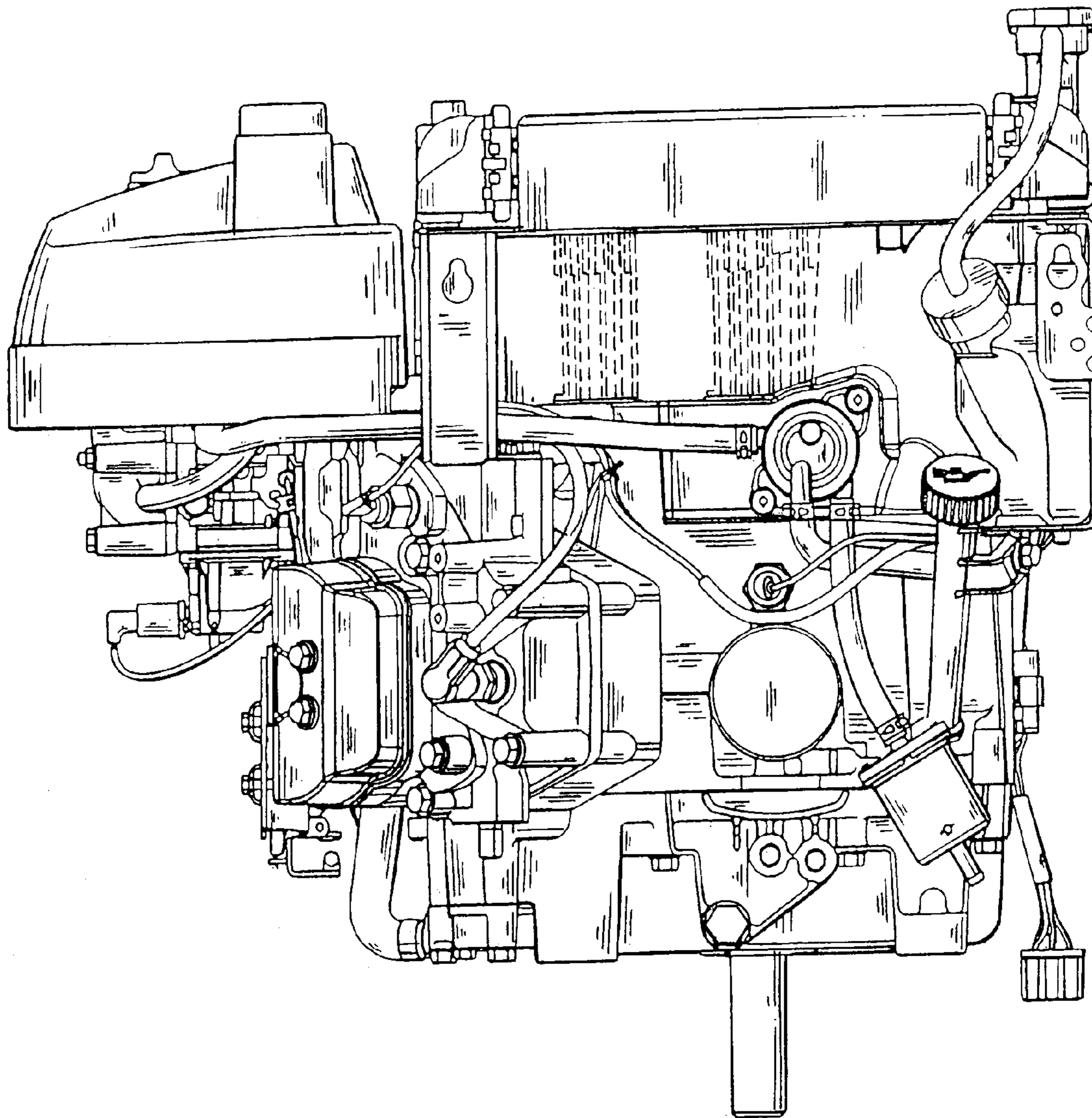


FIG. 5

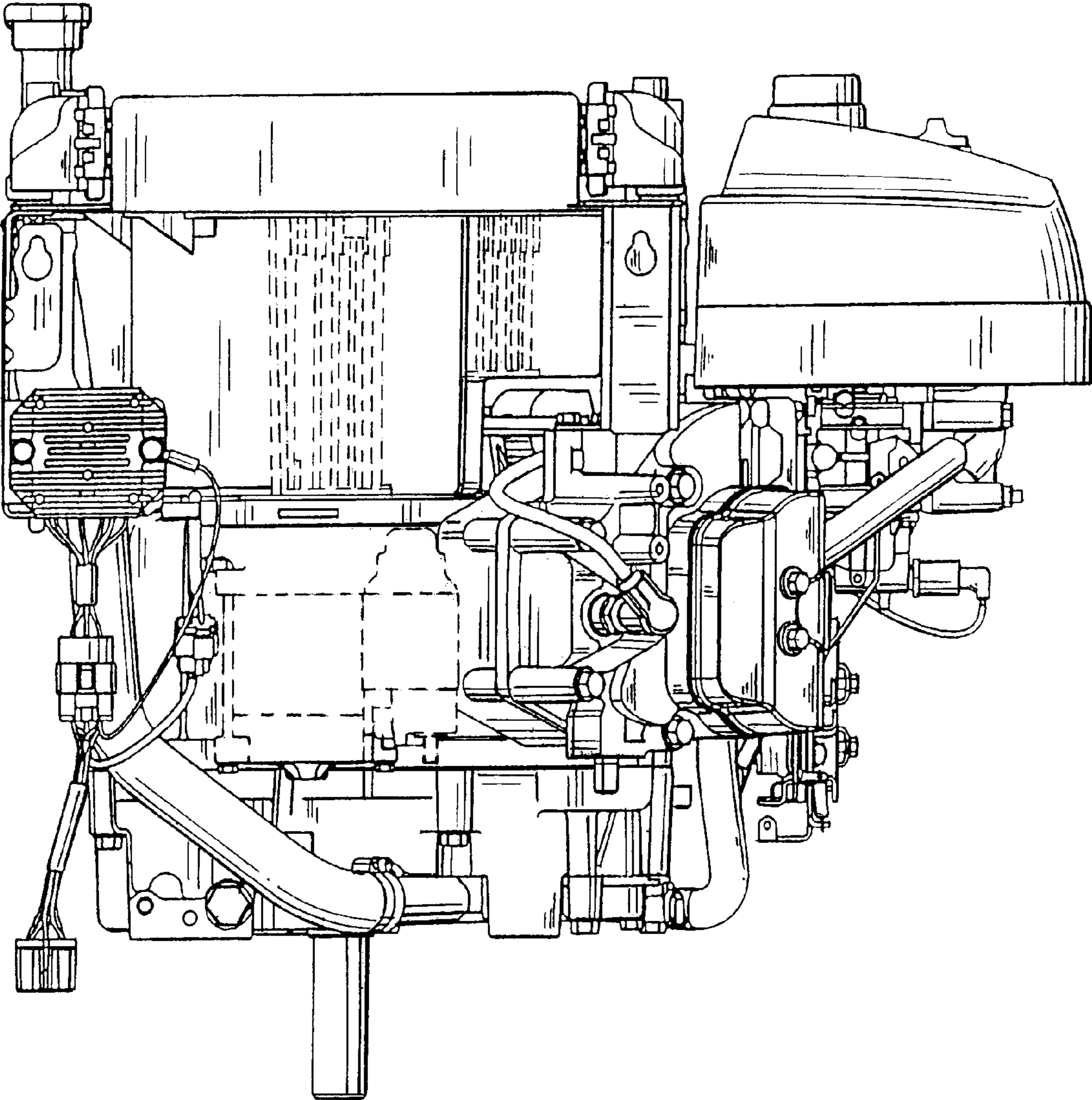


FIG. 6