



US00D556777S

(12) **United States Design Patent**
Hussaini et al.

(10) **Patent No.:** **US D556,777 S**

(45) **Date of Patent:** **** Dec. 4, 2007**

(54) **AUDIO/VIDEO SELECTOR**

(75) Inventors: **Saied Hussaini**, Miami, FL (US); **Marc Iacovelli**, Miami, FL (US)

(73) Assignee: **Intec, Inc.**, Miami Gardens, FL (US)

(**) Term: **14 Years**

(21) Appl. No.: **29/270,523**

(22) Filed: **Dec. 27, 2006**

(51) **LOC (8) Cl.** **14-03**

(52) **U.S. Cl.** **D14/496**

(58) **Field of Classification Search** D14/496,
D14/217, 432-435, 188, 168, 299; D13/158,
D13/184; 340/825.25; 381/28, 77, 80, 81,
381/120; 330/295, 124 R; 700/90-94; D21/332;
273/148 B; 463/1, 46, 47
See application file for complete search history.

(56) **References Cited**

U.S. PATENT DOCUMENTS

5,130,662	A *	7/1992	Jorgensen et al.	330/51
5,255,322	A *	10/1993	Farinelli et al.	381/84
5,809,520	A *	9/1998	Edwards et al.	711/115
5,914,797	A *	6/1999	Yamamoto et al.	348/734
6,052,472	A *	4/2000	Lo	381/123
D464,947	S *	10/2002	Hussaini et al.	D14/217
D485,545	S *	1/2004	Wang	D14/217

D500,323	S *	12/2004	Hussaini et al.	D14/496
D500,324	S *	12/2004	Hussaini et al.	D14/496
D514,119	S *	1/2006	Tseng	D14/496
7,090,582	B2 *	8/2006	Danieli et al.	463/35
D539,853	S *	4/2007	Hussaini et al.	D21/332

* cited by examiner

Primary Examiner—Prabhakar Deshmukh

(74) *Attorney, Agent, or Firm*—Berenato, White & Stavish

(57) **CLAIM**

The ornamental design for an audio/video selector, as shown and described.

DESCRIPTION

FIG. 1 is a perspective view of an audio/video selector showing our new design.

FIG. 2 is a front view of the audio/video selector of FIG. 1.

FIG. 3 is a back view of the audio/video selector of FIG. 1.

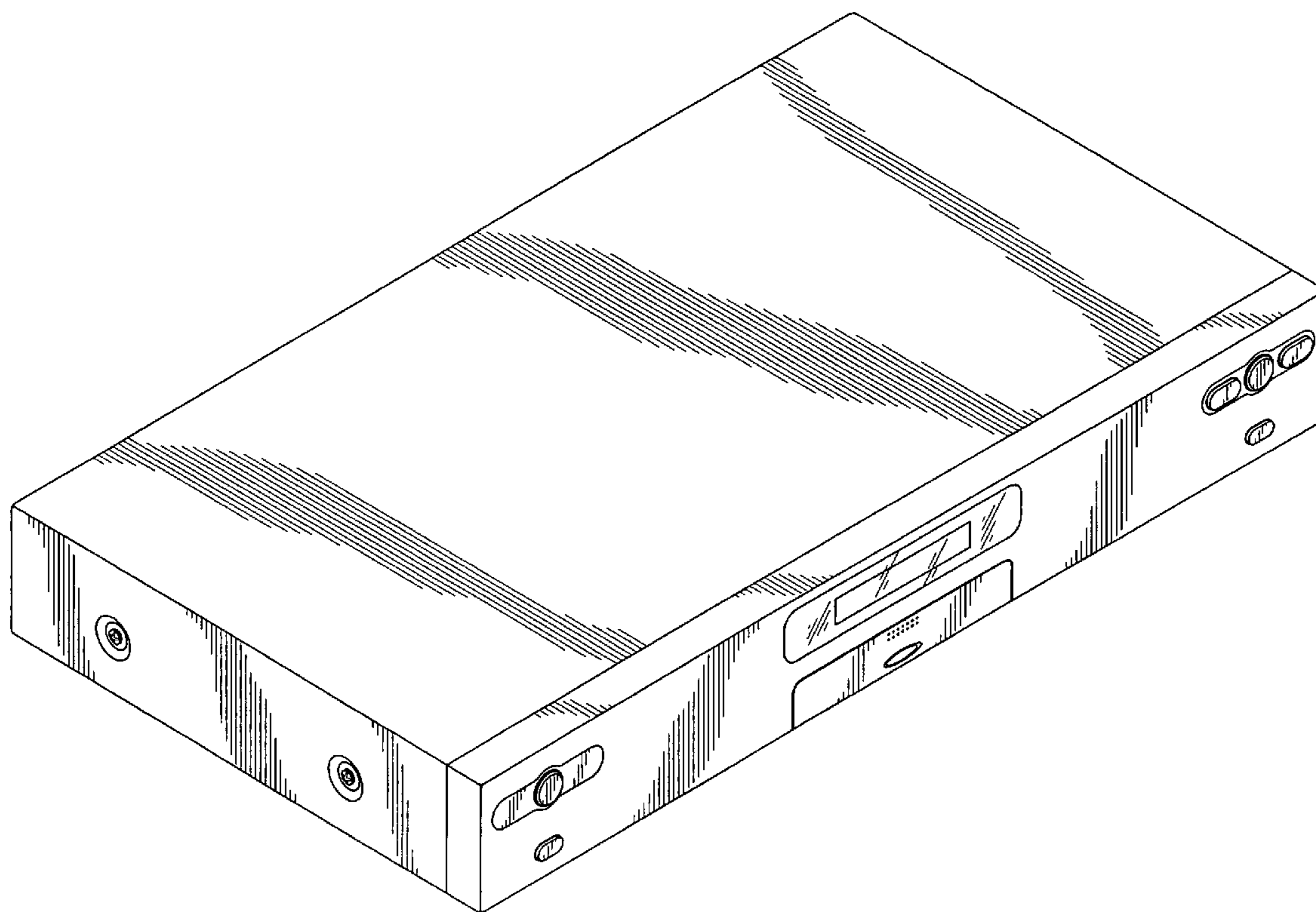
FIG. 4 is a right view of the audio/video selector of FIG. 1.

FIG. 5 is a left view of the audio/video selector of FIG. 1.

FIG. 6 is a top side view of the audio/video selector of FIG. 1; and,

FIG. 7 is a bottom side view of the audio/video selector of FIG. 1.

1 Claim, 5 Drawing Sheets



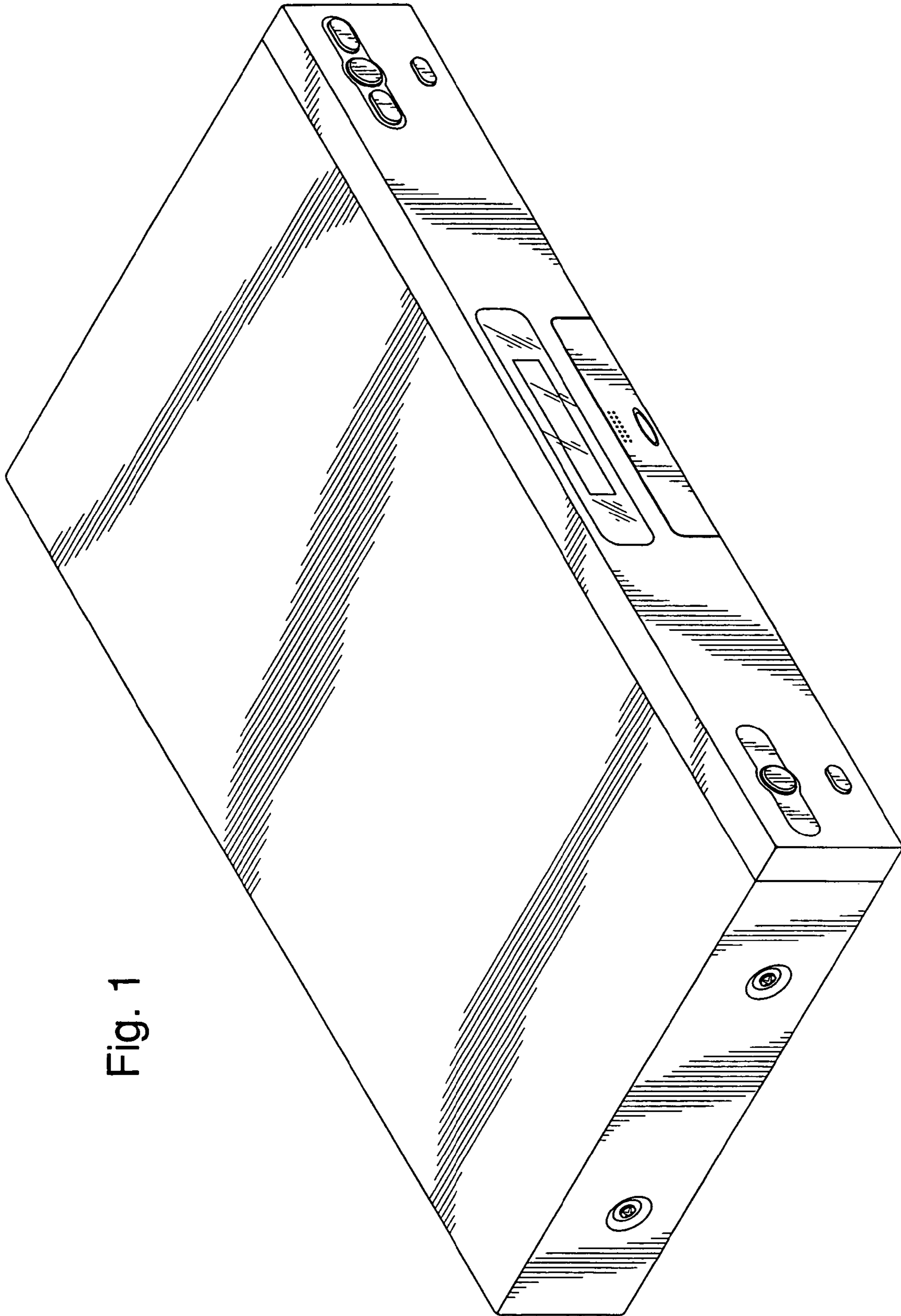


Fig. 1

Fig. 2

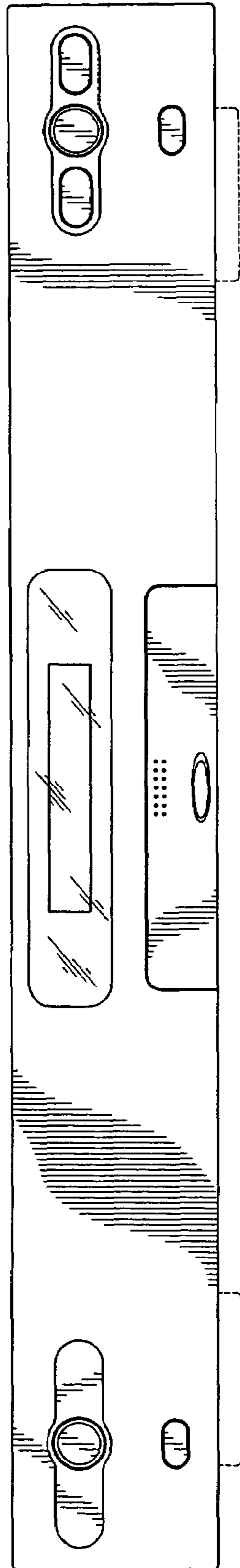


Fig. 3

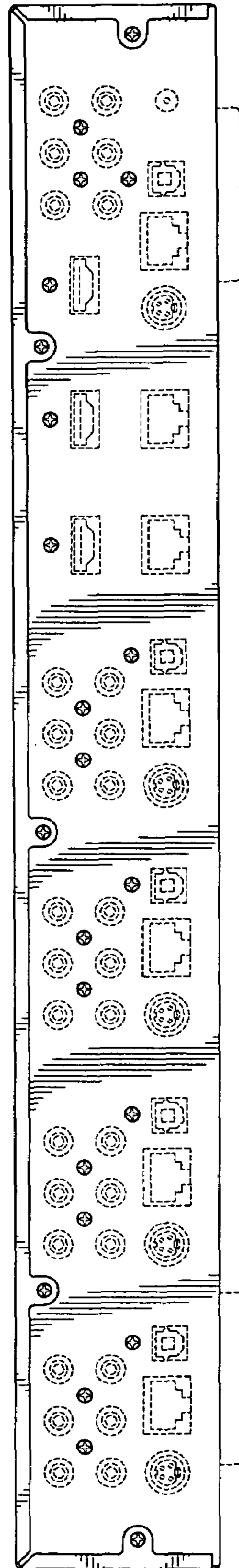


Fig. 4

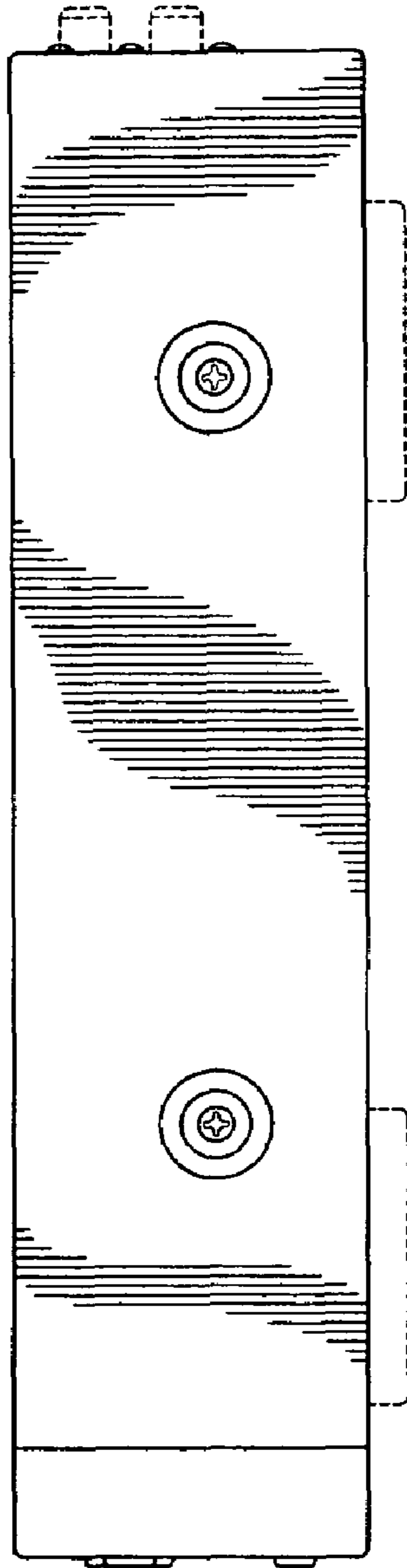


Fig. 5

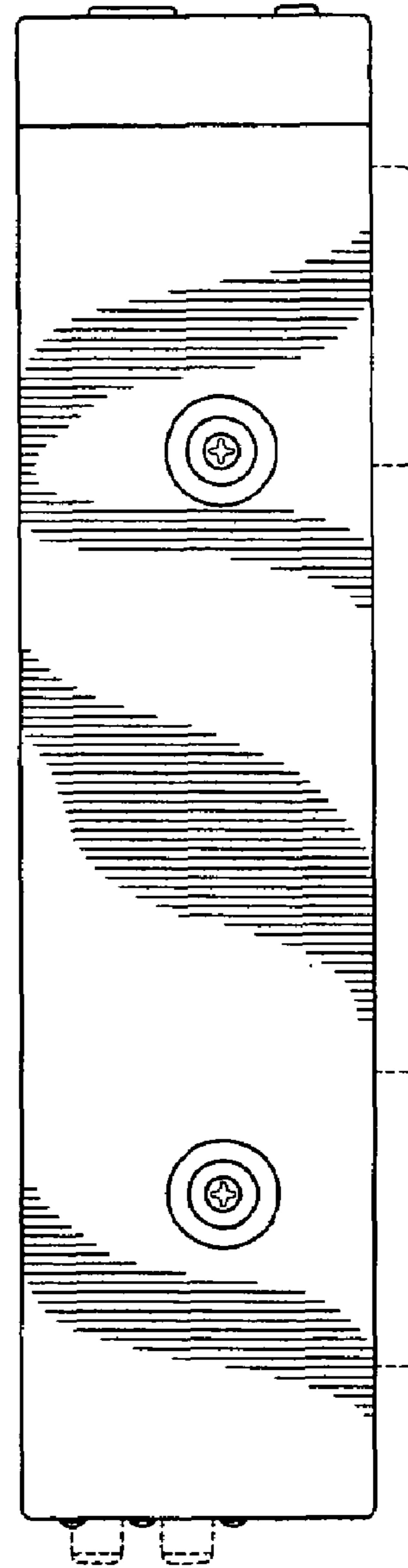


Fig. 6

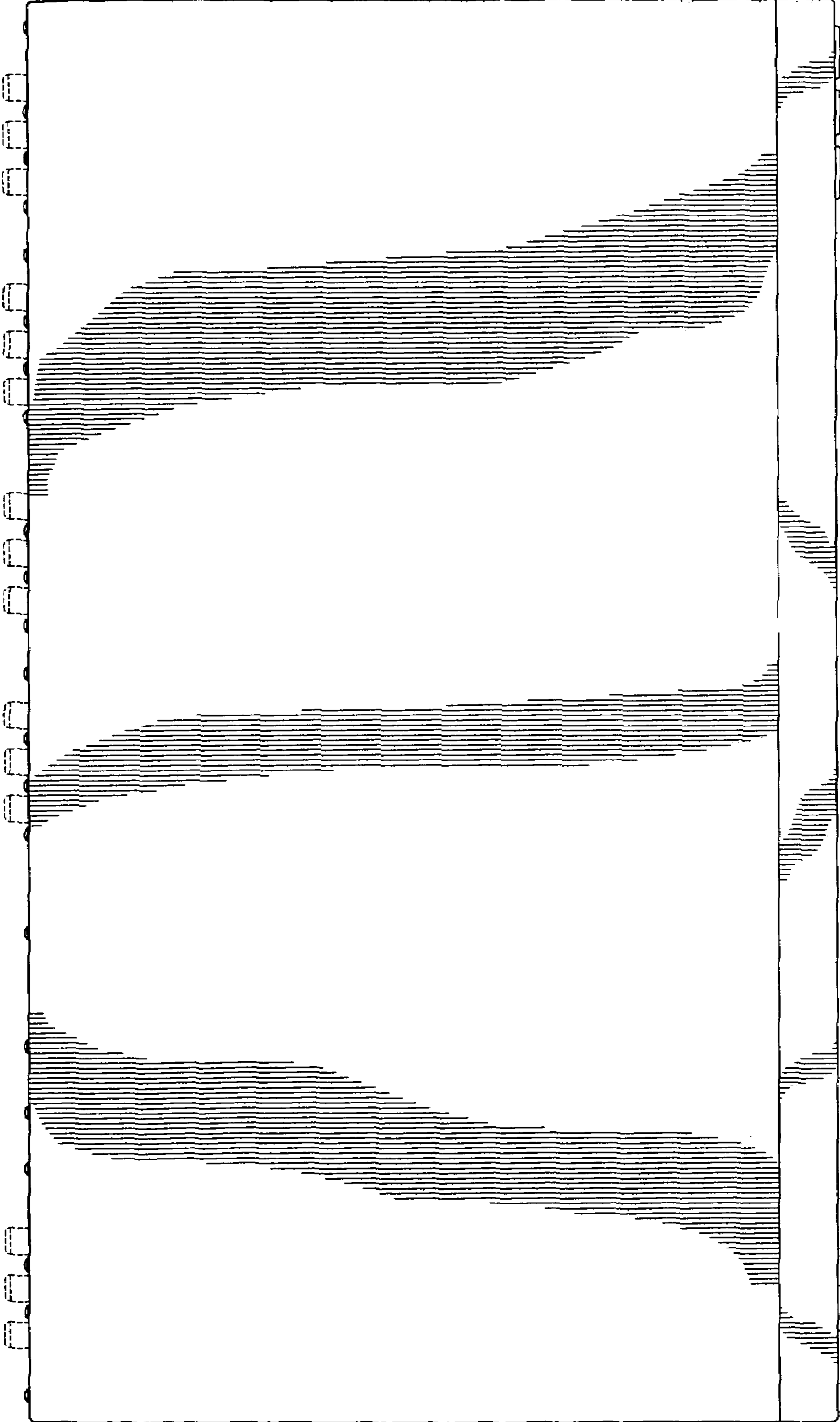


Fig. 7

