



US00D556763S

(12) **United States Design Patent**  
**Hsiau**

(10) **Patent No.:** **US D556,763 S**

(45) **Date of Patent:** **\*\* Dec. 4, 2007**

(54) **NETWORK CARD**

(75) Inventor: **Yung-Li Hsiau**, Taipei (TW)

(73) Assignee: **D-Link Corporation**, Taipei (TW)

(\*\*) Term: **14 Years**

(21) Appl. No.: **29/258,676**

(22) Filed: **Apr. 26, 2006**

(51) **LOC (8) Cl.** ..... **14-02**

(52) **U.S. Cl.** ..... **D14/436**

(58) **Field of Classification Search** ..... D14/433,  
D14/242, 432-438; 361/600, 622, 683, 684,  
361/686, 724, 725-728; D13/184, 123, 110;  
379/433.09, 433.11-13, 419, 440, 428.01,  
379/428.04; 455/550.1, 552.1, 553.1, 554.1,  
455/554.2, 555, 557, 556.1, 558, 575.1, 90.3;  
439/101, 108, 946, 607; 174/52.1, 35 R;  
902/26

See application file for complete search history.

(56) **References Cited**

**U.S. PATENT DOCUMENTS**

D355,412 S *	2/1995	Rak et al. ....	D14/242
D364,399 S *	11/1995	Long .....	D14/433
5,513,074 A *	4/1996	Ainsbury et al. ....	361/737
D371,770 S *	7/1996	Larson et al. ....	D14/242
D378,085 S *	2/1997	Kerklaan et al. ....	D14/436
D415,479 S *	10/1999	Yang et al. ....	D14/436
6,018,461 A *	1/2000	Biermann et al. ....	361/737
D431,035 S *	9/2000	Lehtomaki .....	D14/242

D452,494 S *	12/2001	Sodling .....	D14/242
6,353,534 B1 *	3/2002	Chen .....	361/684
D458,935 S *	6/2002	Hiroki .....	D14/436
6,400,931 B1 *	6/2002	Inkinen et al. ....	455/90.1
D475,701 S *	6/2003	Kasuya et al. ....	D14/242
D485,561 S *	1/2004	Hong et al. ....	D14/436
D486,482 S *	2/2004	Huang .....	D14/242
D489,714 S *	5/2004	Yin et al. ....	D14/242
D502,181 S *	2/2005	Hong et al. ....	D14/436
D504,434 S *	4/2005	Katayanagi .....	D14/436
2003/0231472 A1 *	12/2003	Tseng et al. ....	361/737
2004/0008502 A1 *	1/2004	Hautier et al. ....	361/818

\* cited by examiner

*Primary Examiner*—M. H. Tung

*Assistant Examiner*—Susan Moon Lee

(74) *Attorney, Agent, or Firm*—Bacon & Thomas, PLLC

(57) **CLAIM**

The ornamental design for a network card, as shown.

**DESCRIPTION**

FIG. 1 is a perspective view of a network card showing my new design;

FIG. 2 is a front elevational view thereof;

FIG. 3 is a rear elevational view thereof;

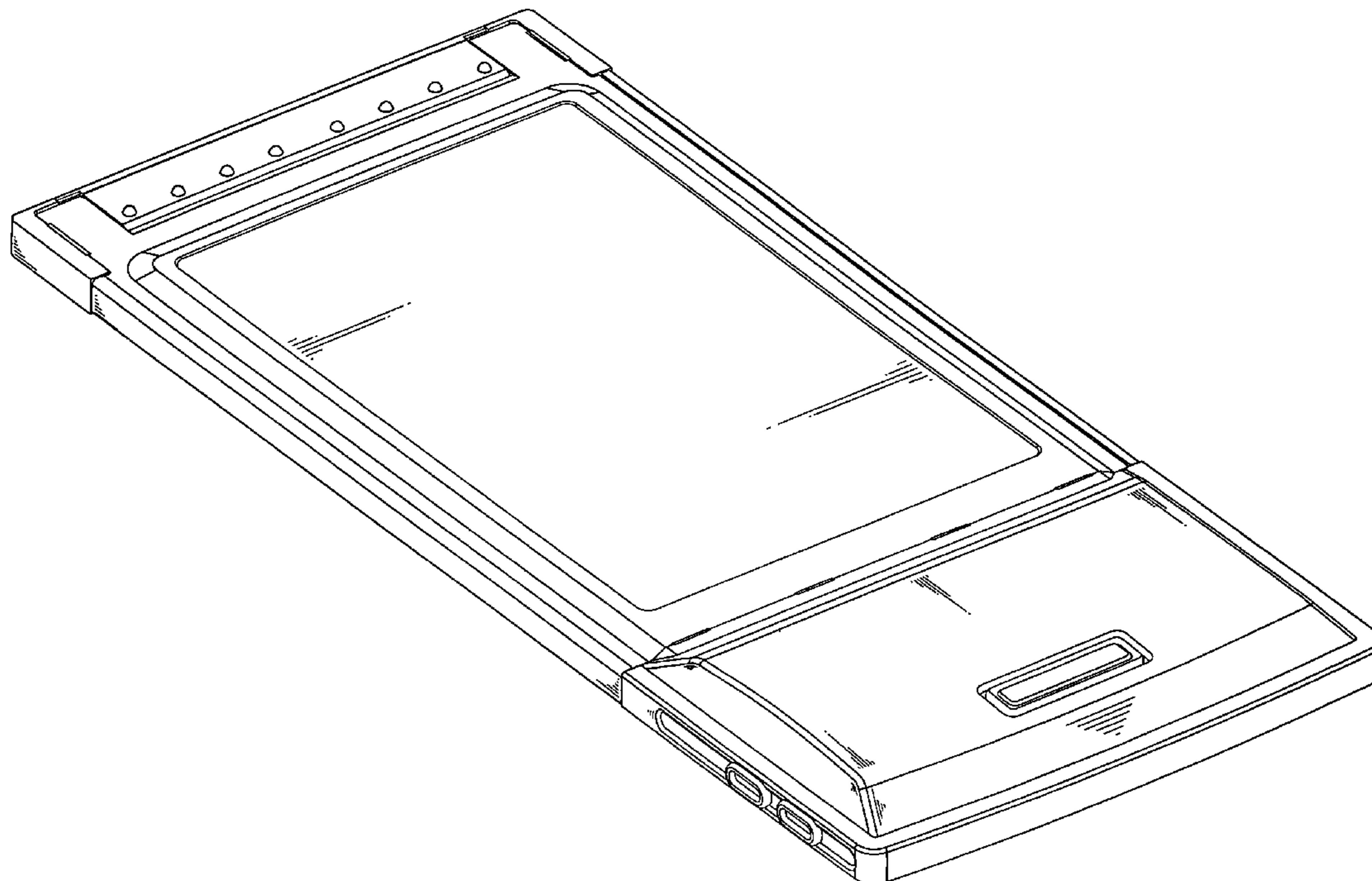
FIG. 4 is a left side elevational view thereof;

FIG. 5 is a right side elevational view thereof;

FIG. 6 is a top plan view thereof; and,

FIG. 7 is a bottom plan view thereof.

**1 Claim, 5 Drawing Sheets**



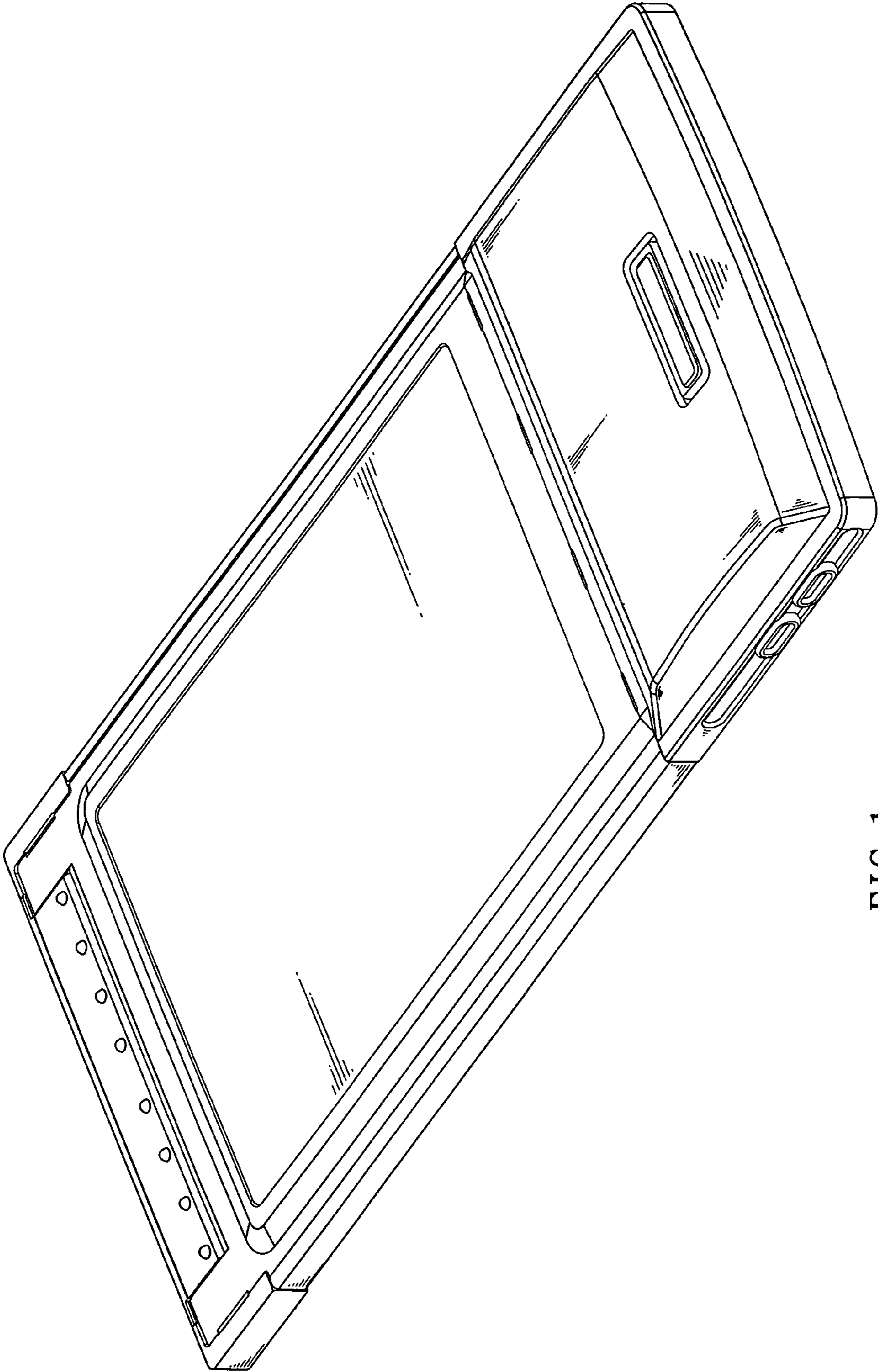


FIG. 1

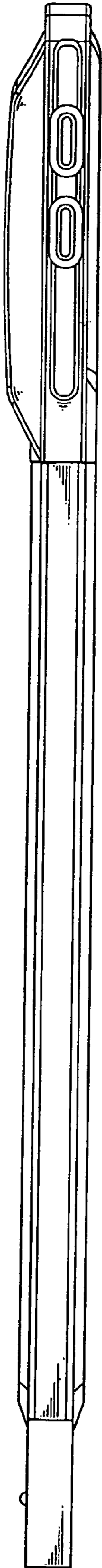


FIG. 2



FIG. 3

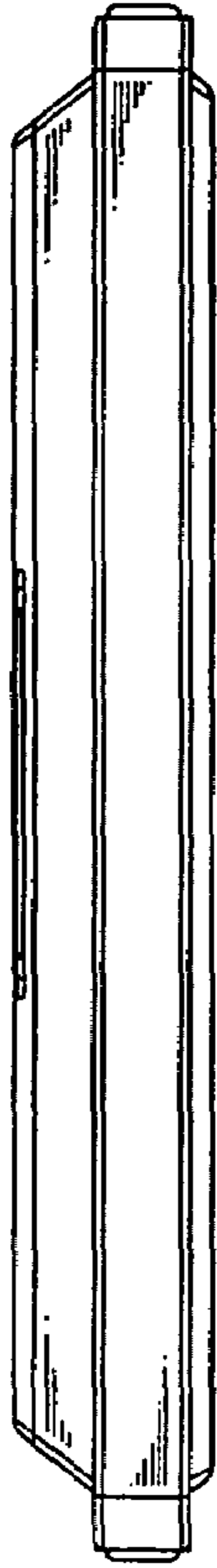


FIG. 5

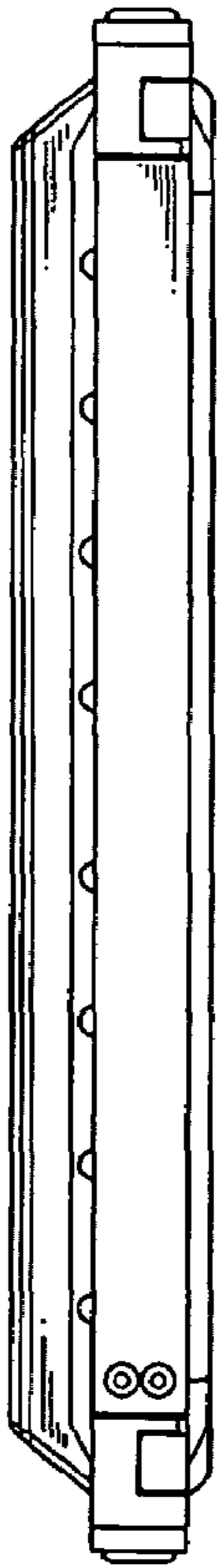


FIG. 4

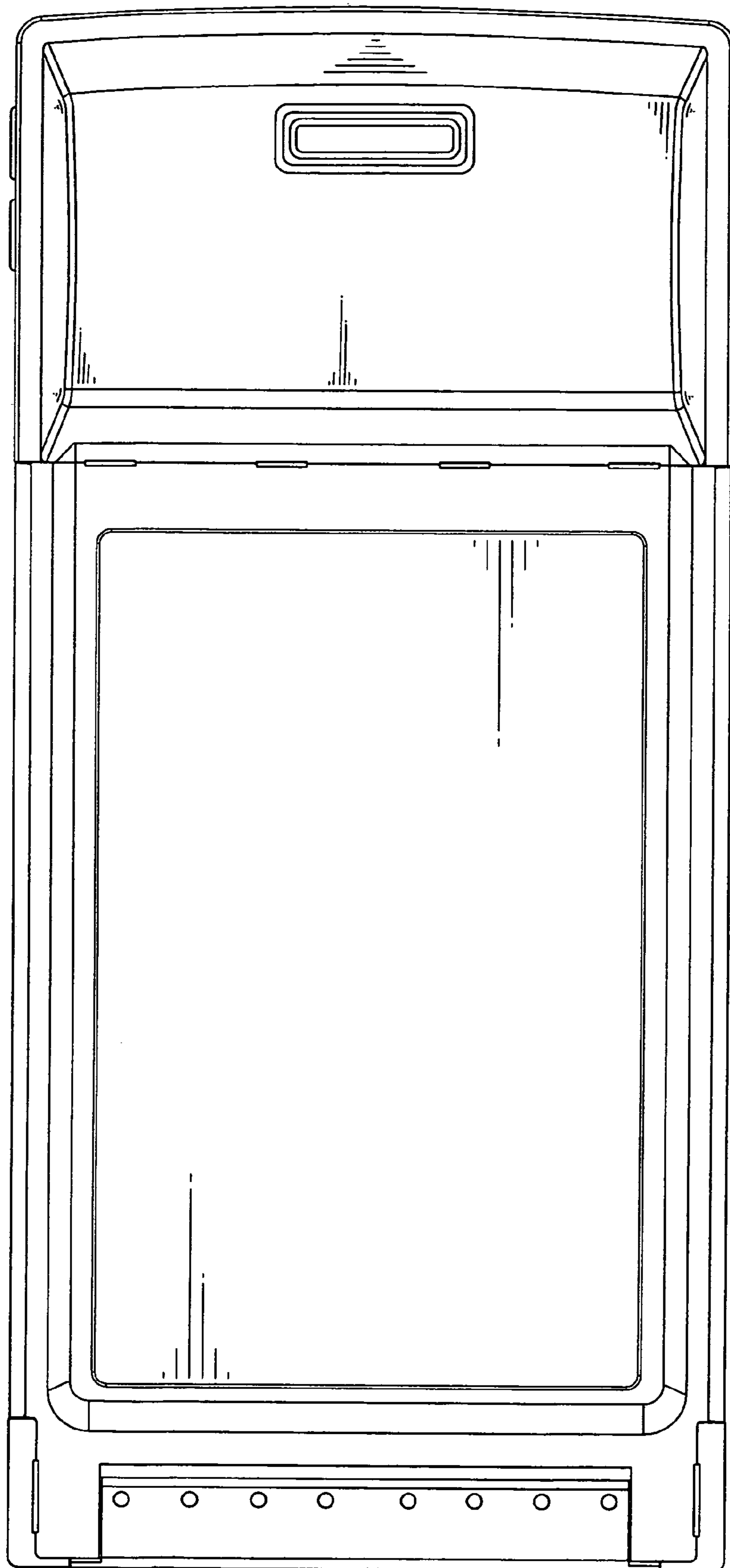


FIG. 6



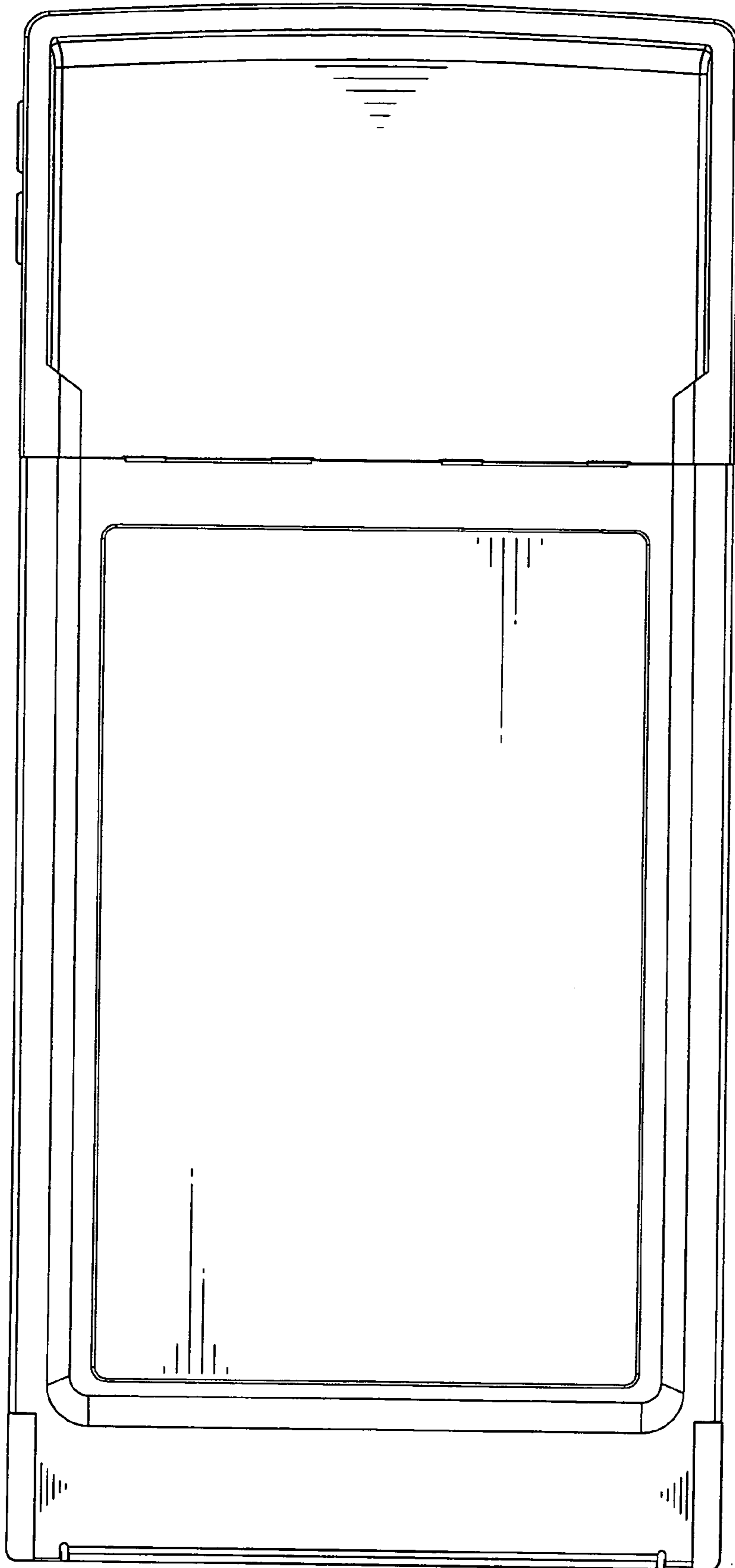


FIG. 7