



US00D556762S

(12) **United States Design Patent**  
**Hsiau**

(10) **Patent No.:** **US D556,762 S**

(45) **Date of Patent:** **\*\* Dec. 4, 2007**

(54) **NETWORK CARD**

(75) Inventor: **Yung-Li Hsiau**, Taipei (TW)

(73) Assignee: **D-Link Corporation**, Taipei (TW)

(\*\*) Term: **14 Years**

(21) Appl. No.: **29/257,856**

(22) Filed: **Apr. 12, 2006**

(51) **LOC (8) Cl.** ..... **14-02**

(52) **U.S. Cl.** ..... **D14/435**

(58) **Field of Classification Search** ..... D14/356,  
D14/242, 436, 433, 474, 240; 360/97.01;  
361/685, 686, 752, 737, 732, 784, 803; 439/135,  
439/144, 139-141, 147, 136, 638, 518, 131;  
365/51, 63, 131; 710/52, 300, 313; 711/115,  
711/103, 154, 161-62; 70/58; 323/210;  
713/186, 1; 382/124; 235/492; D13/147  
See application file for complete search history.

(56) **References Cited**

**U.S. PATENT DOCUMENTS**

D462,689 S \* 9/2002 Moran ..... D14/433

D486,829 S \* 2/2004 Wang et al. .... D14/433  
D488,158 S \* 4/2004 Chen et al. .... D14/433  
D529,889 S \* 10/2006 Rose et al. .... D14/138

\* cited by examiner

*Primary Examiner*—M. H. Tung

*Assistant Examiner*—Susan Moon Lee

(74) *Attorney, Agent, or Firm*—Bacon & Thomas, PLLC

(57) **CLAIM**

The ornamental design for a network card, as shown.

**DESCRIPTION**

FIG. 1 is a perspective view of a network card showing my new design;

FIG. 2 is a front elevational view thereof;

FIG. 3 is a rear elevational view thereof;

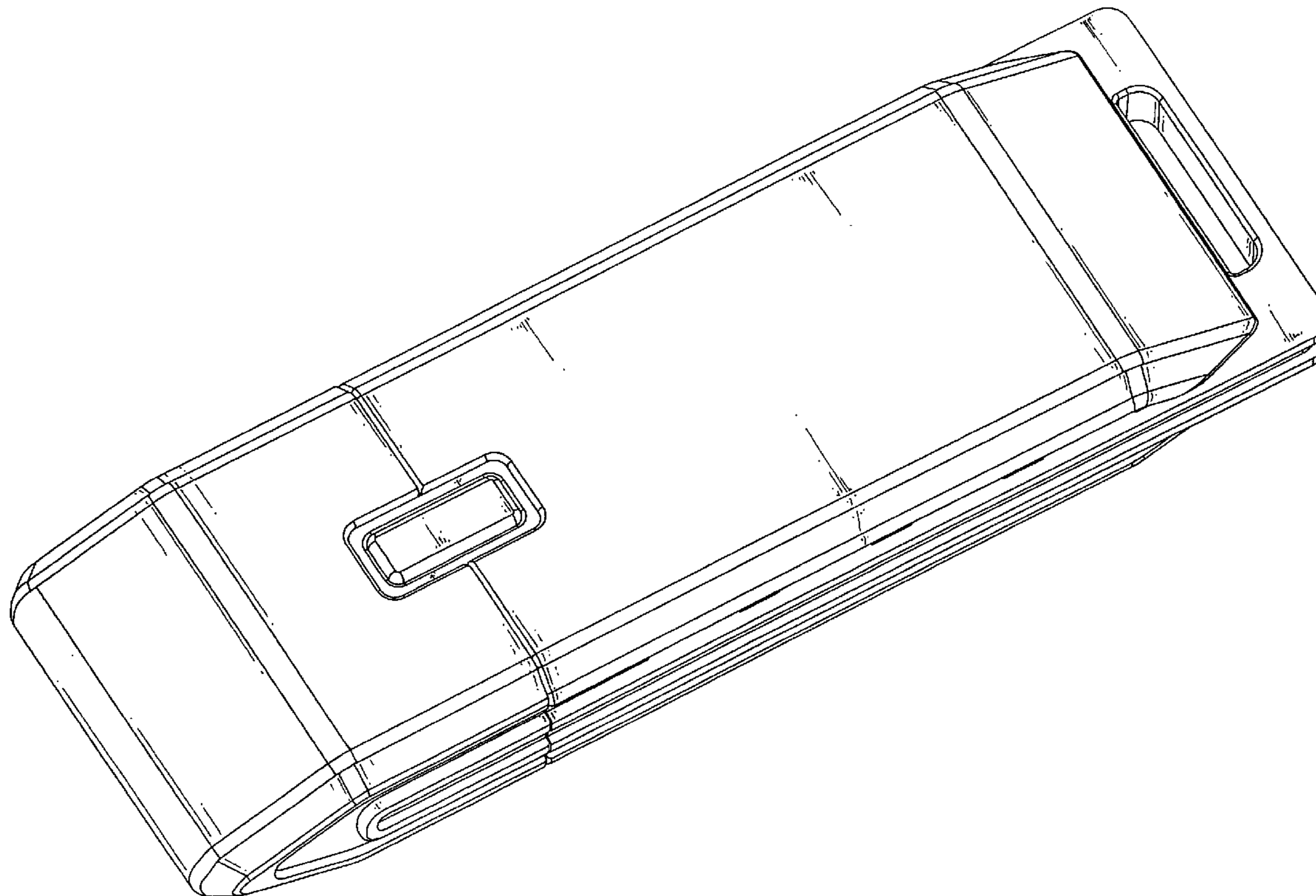
FIG. 4 is a left side elevational view thereof;

FIG. 5 is a right side elevational view thereof;

FIG. 6 is a top plan view thereof; and,

FIG. 7 is a bottom plan view thereof.

**1 Claim, 5 Drawing Sheets**



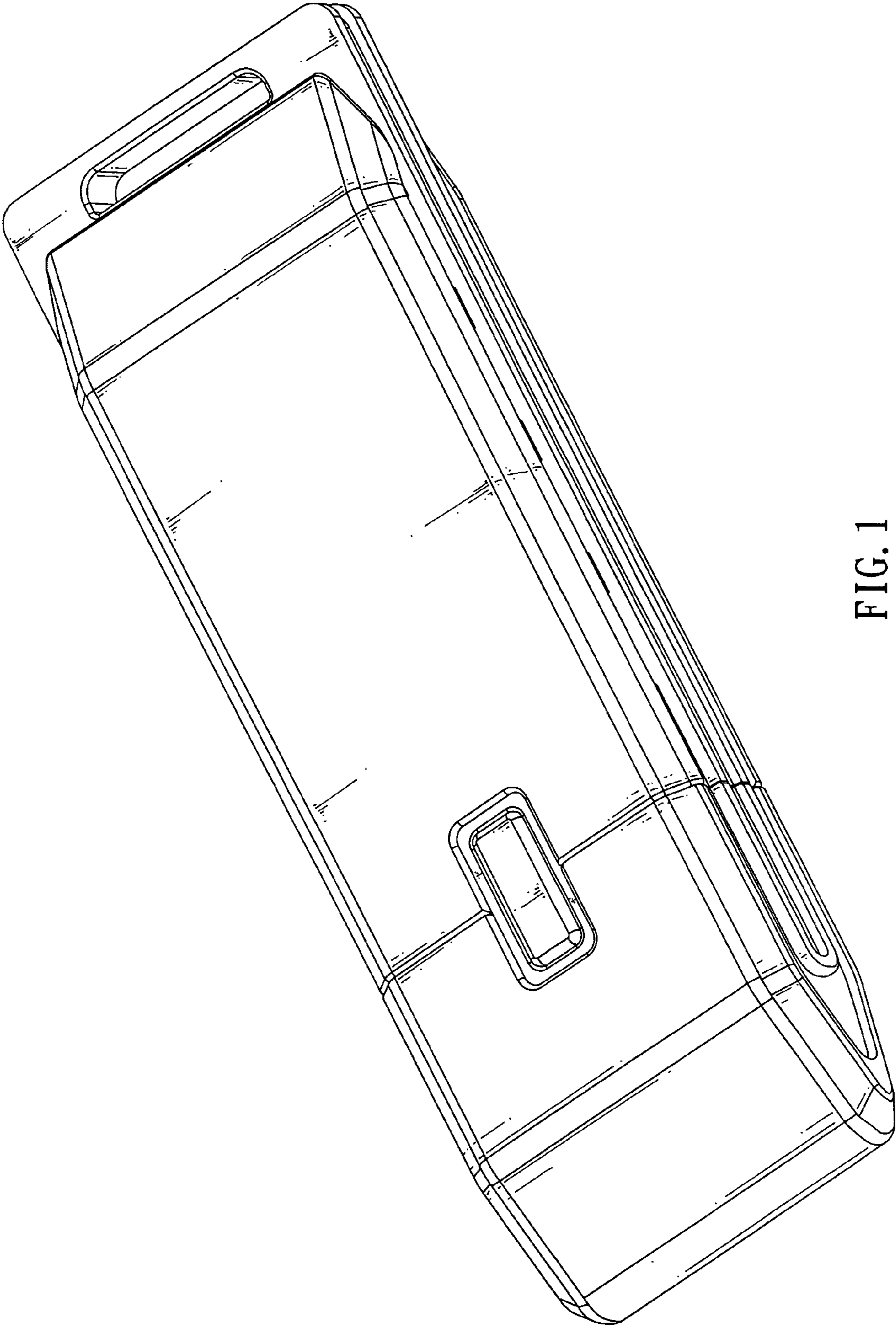


FIG. 1

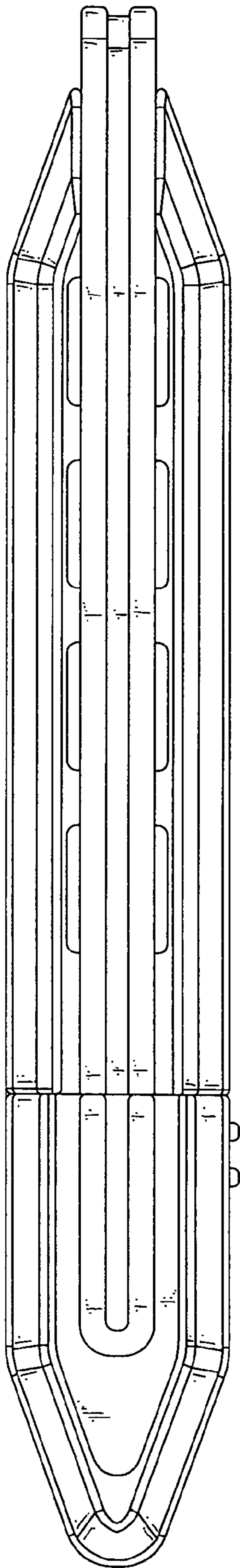


FIG. 2

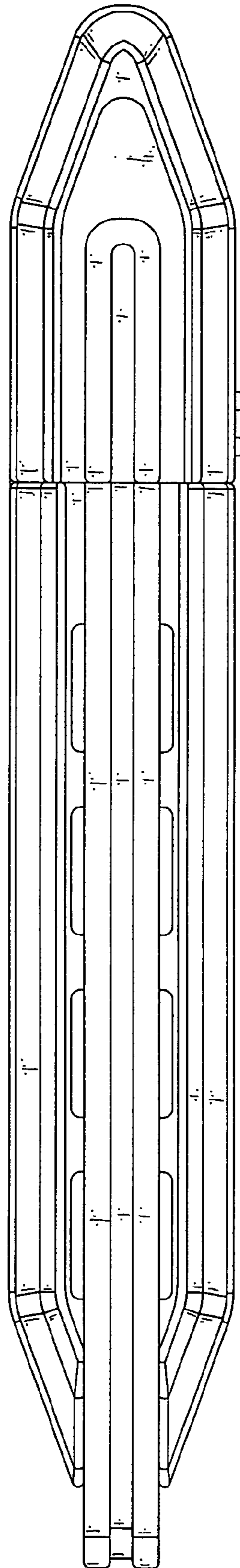


FIG. 3

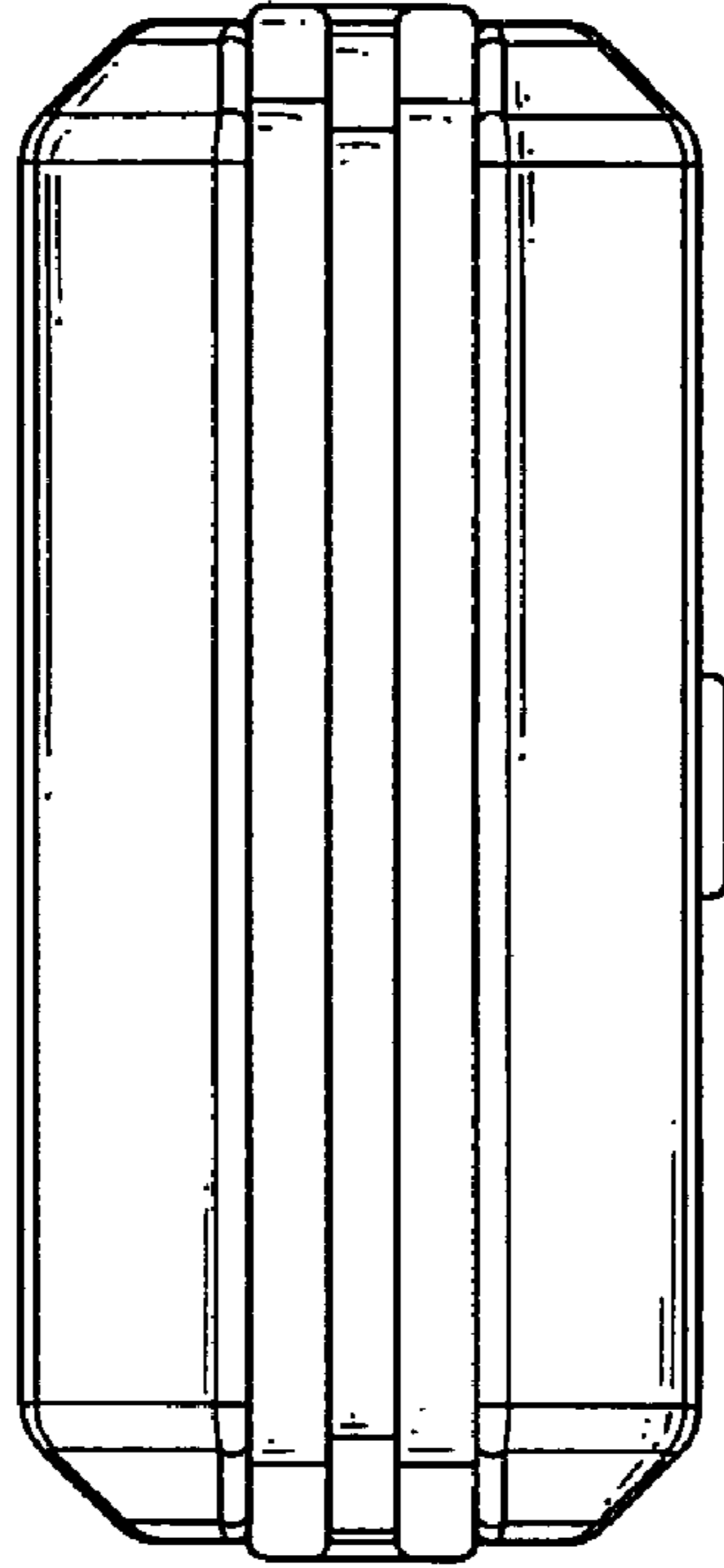


FIG. 5

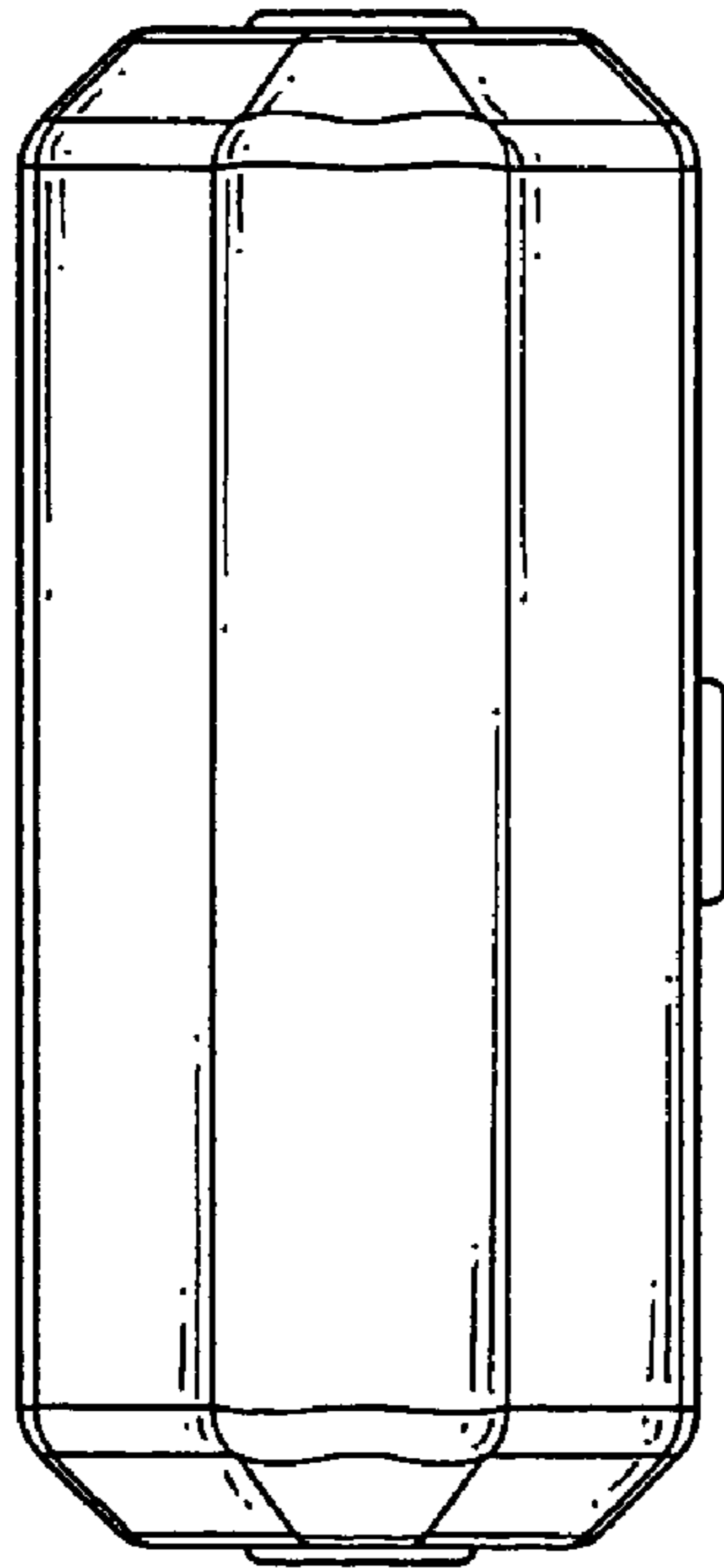


FIG. 4

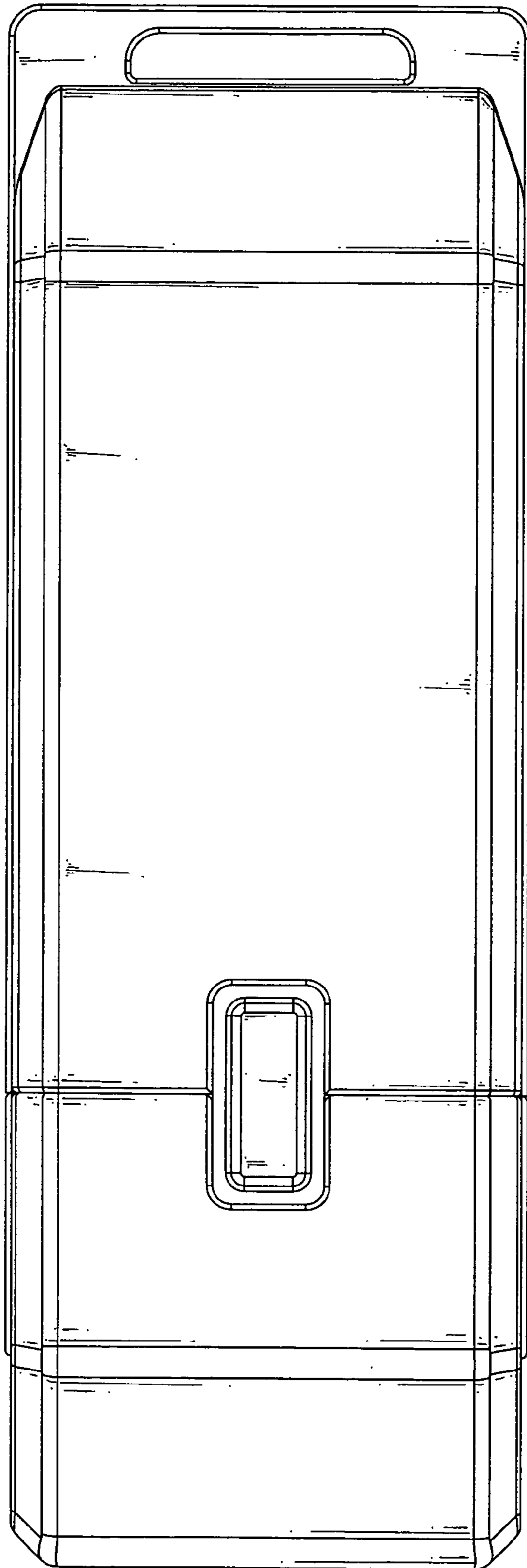


FIG. 6

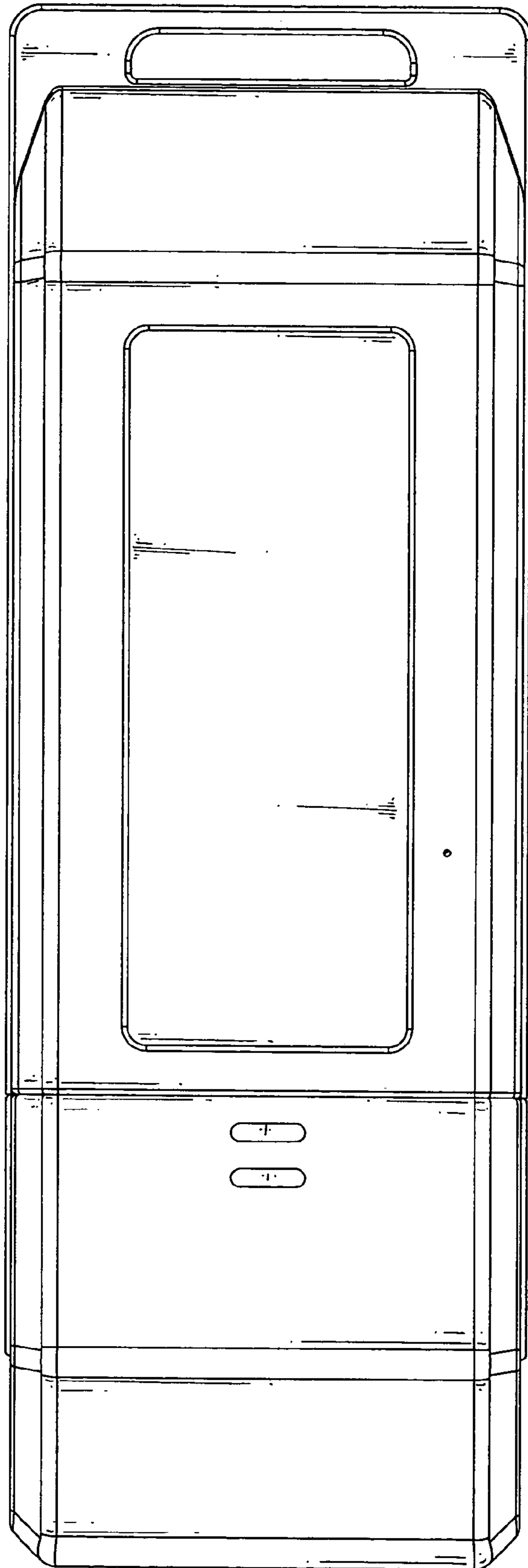


FIG. 7