



US00D556756S

(12) **United States Design Patent** (10) **Patent No.:** **US D556,756 S**
Kataoka et al. (45) **Date of Patent:** **** Dec. 4, 2007**

(54) **LCD MONITOR**

(75) Inventors: **Tetsu Kataoka**, Tokyo (JP); **Jin-Sun Kim**, Seoul (KR); **Jae-Beom Park**, Seoul (KR)

(73) Assignee: **Samsung Electronics Co., Ltd.**, Kyunggi-do (KR)

(**) Term: **14 Years**

(21) Appl. No.: **29/264,715**

(22) Filed: **Aug. 16, 2006**

(51) **LOC (8) Cl.** **14-02**

(52) **U.S. Cl.** **D14/375**

(58) **Field of Classification Search** D14/371-375,
D14/125-129, 356; 248/917-924; 345/104,
345/156, 168, 173, 87, 1.1; 348/180, 184,
348/325, 739; 341/12; 349/1, 2, 11, 62
See application file for complete search history.

(56) **References Cited**

U.S. PATENT DOCUMENTS

D428,415 S	*	7/2000	Shibata	D14/356
D483,365 S	*	12/2003	Olson et al.	D14/375
D484,130 S	*	12/2003	Olson et al.	D14/375
D494,941 S		8/2004	Kim		
D499,386 S		12/2004	Yang		
D512,424 S		12/2005	Kim		
D514,568 S	*	2/2006	Huang et al.	D14/375
D517,549 S	*	3/2006	Depay	D14/375
D521,511 S		5/2006	Kim et al.		
D521,996 S		5/2006	Kim et al.		
D521,997 S		5/2006	Park et al.		
D522,509 S		6/2006	Park et al.		
D524,313 S		7/2006	Boo et al.		
D527,003 S		8/2006	Park et al.		
D530,327 S	*	10/2006	Chen et al.	D14/375

OTHER PUBLICATIONS

U.S. Appl. No. 29/218,855, Applicant: Seung-Ho Lee, et al., filed Dec. 8, 2004 entitled LCD TV.

U.S. Appl. No. 29/218,856, Applicant: Seung-Ho Lee, et al., filed Dec. 8, 2004 entitled LCD TV.

U.S. Appl. No. 29/228,024, Applicant: Ki-Soo Kim, et al., filed Apr. 19, 2005 entitled LCD Television.

U.S. Appl. No. 29/241,314, Applicant: Gisuke Ota, filed Oct. 26, 2005 entitled LCD Monitor.

U.S. Appl. No. 29/256,593, Applicant: Jae-Beom Park, et al., filed Mar. 22, 2006 entitled Lcd Monitor.

U.S. Appl. No. 29/263,587, Applicant: Yong-Joo Lee, et al., Jul. 26, 2006 entitled LCD Monitor.

U.S. Appl. No. 29/263,583, Applicant: Ki-Soo Kim, et al., filed Jul. 26, 2006 entitled LCD Monitor.

U.S. Appl. No. 29/263,582, Applicant: Jae-Beom Park, et al., filed Jul. 26, 2006 entitled LCD Monitor.

U.S. Appl. No. 29/263,585, Applicant: Seung-Ho Lee, et al., filed Jul 26, 2006 entitled LCD Television Set.

U.S. Appl. No. 29/263,044, Applicant: Sang-Won Yoon, filed Aug. 10, 2005 entitled LCD Monitor.

(Continued)

Primary Examiner—Freda S. Nunn
(74) *Attorney, Agent, or Firm*—Flynn, Thiel, Boutell & Tanis, P.C.

(57) **CLAIM**

The ornamental design for a LCD monitor, as shown and described.

DESCRIPTION

FIG. 1 is a top front perspective view of a LCD monitor showing our new design;

FIG. 2 is a front elevational view thereof;

FIG. 3 is a rear elevational view thereof;

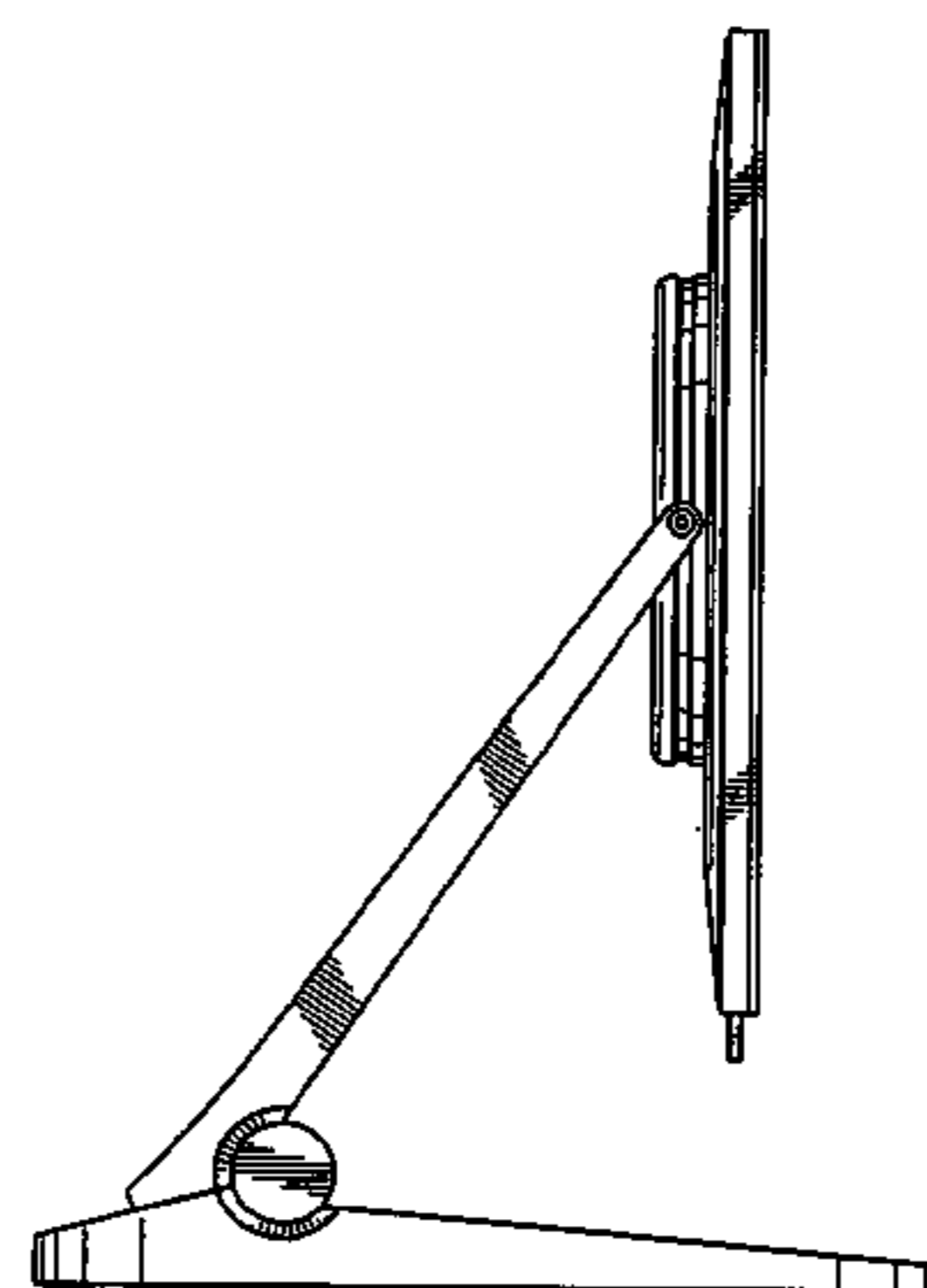
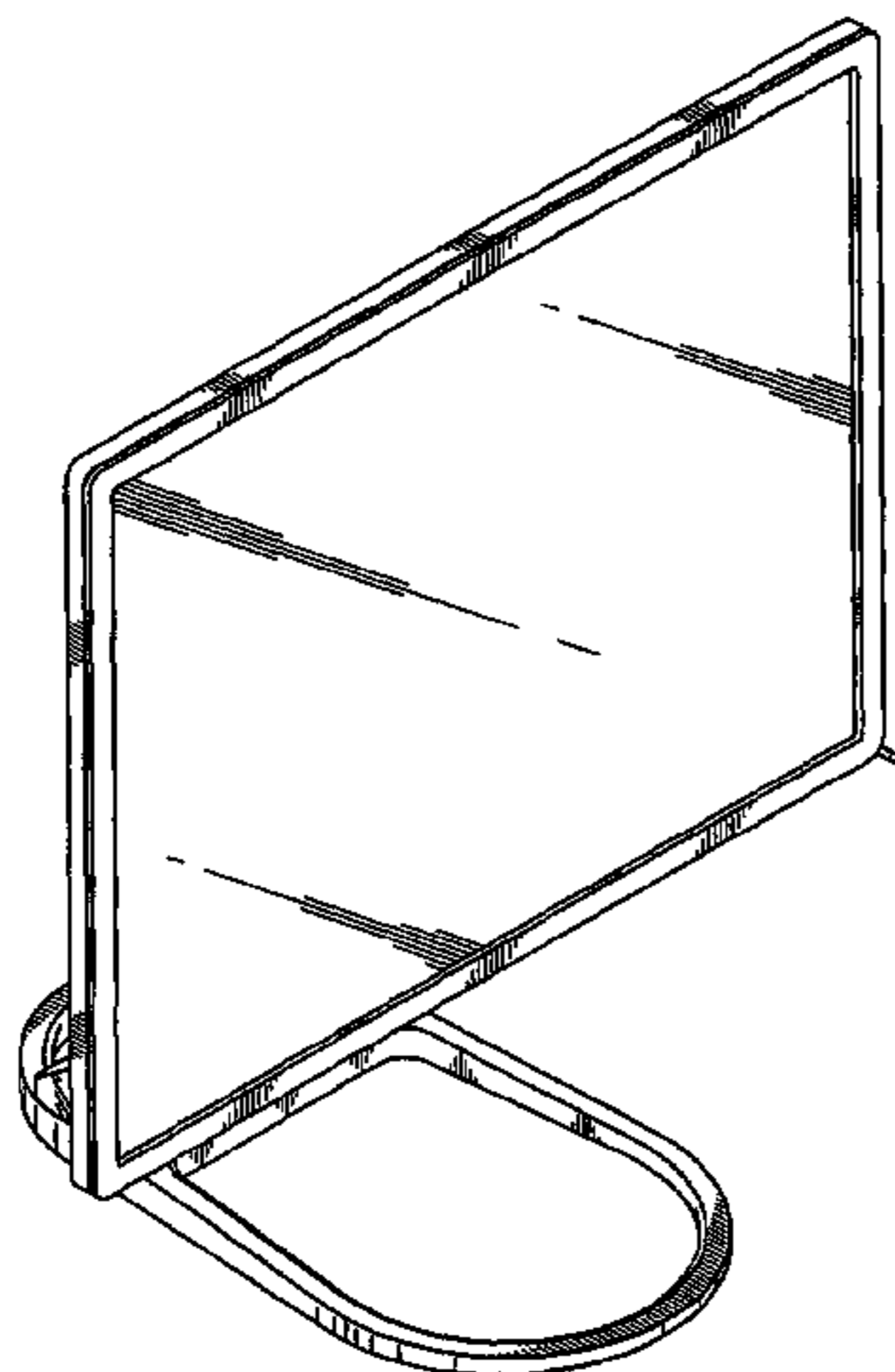
FIG. 4 is a left side elevational view thereof;

FIG. 5 is a right side elevational view thereof;

FIG. 6 is a top plan view thereof; and,

FIG. 7 is a bottom plan view thereof.

1 Claim, 4 Drawing Sheets



OTHER PUBLICATIONS

U.S. Appl. No. 29/236,965, Applicant: Jun-Ho Yang, et al., filed Aug. 24, 2005 entitled Television.
U.S. Appl. No. 29/236,966, Applicant: Jun-Ho Yang, et al., filed Aug. 24, 2005 entitled LCD Television.
U.S. Appl. No. 29/240,581, Applicant: Tae-Yeon Won, et al., filed Oct. 14, 2005 entitled LCD Monitor.
U.S. Appl. No. 29/263,580, Applicant: Tae-Yeon Won, et al., filed Jul. 26, 2006 entitled LCD Monitor.
U.S. Appl. No. 29/258,368, Applicant: Tae-Yeon Won, et al., filed Apr. 20, 2006 entitled LCD Monitor.
U.S. Appl. No. 29/258,362, Applicant: Eui-Seok Kim, filed Apr. 20, 2006 entitled LCD Monitor.

U.S. Appl. No. 29/258,364, Applicant: Eui-Seok Kim, filed Apr. 20, 2006 entitled LCD Monitor.
U.S. Appl. No. 29/258,365, Applicant: Eui-Seok Kim, filed Apr. 20, 2006 entitled LCD Monitor.
U.S. Appl. No. 29/258,366, Applicant: Eui-Seok Kim, filed Apr. 20, 2006 entitled LCD Monitor.
U.S. Appl. No. 29/258,363, Applicant: Eui-Seok Kim, filed Apr. 20, 2006 entitled LCD Monitor.
U.S. Appl. No. 29/258,367, Applicant: Eui-Seok Kim, filed Apr. 20, 2006 entitled LCD Monitor.
U.S. Appl. No. 29/258,360, Applicant: Eui-Seok Kim, filed Apr. 20, 2006 entitled LCD Monitor.

* cited by examiner

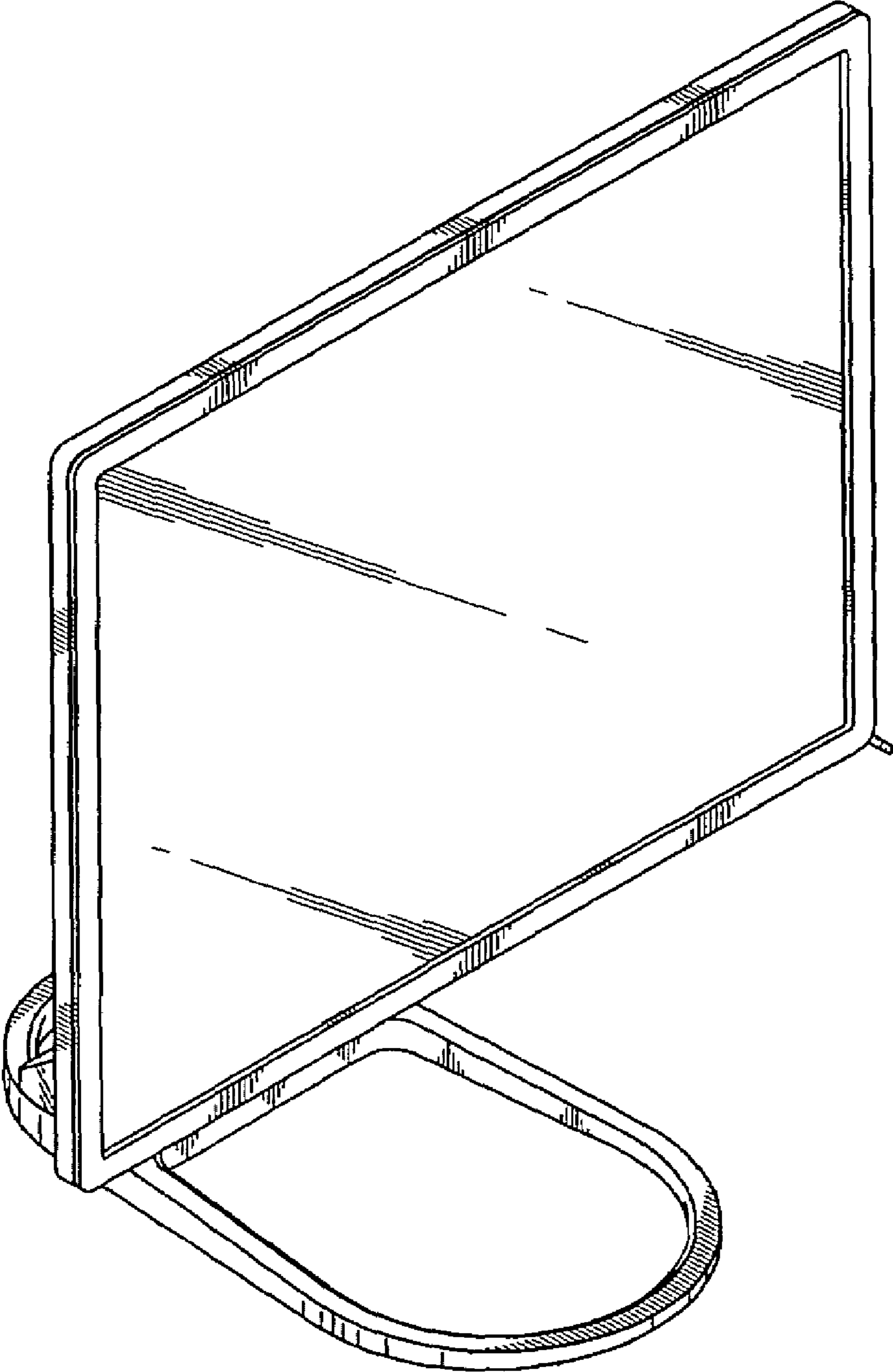


FIG. 1

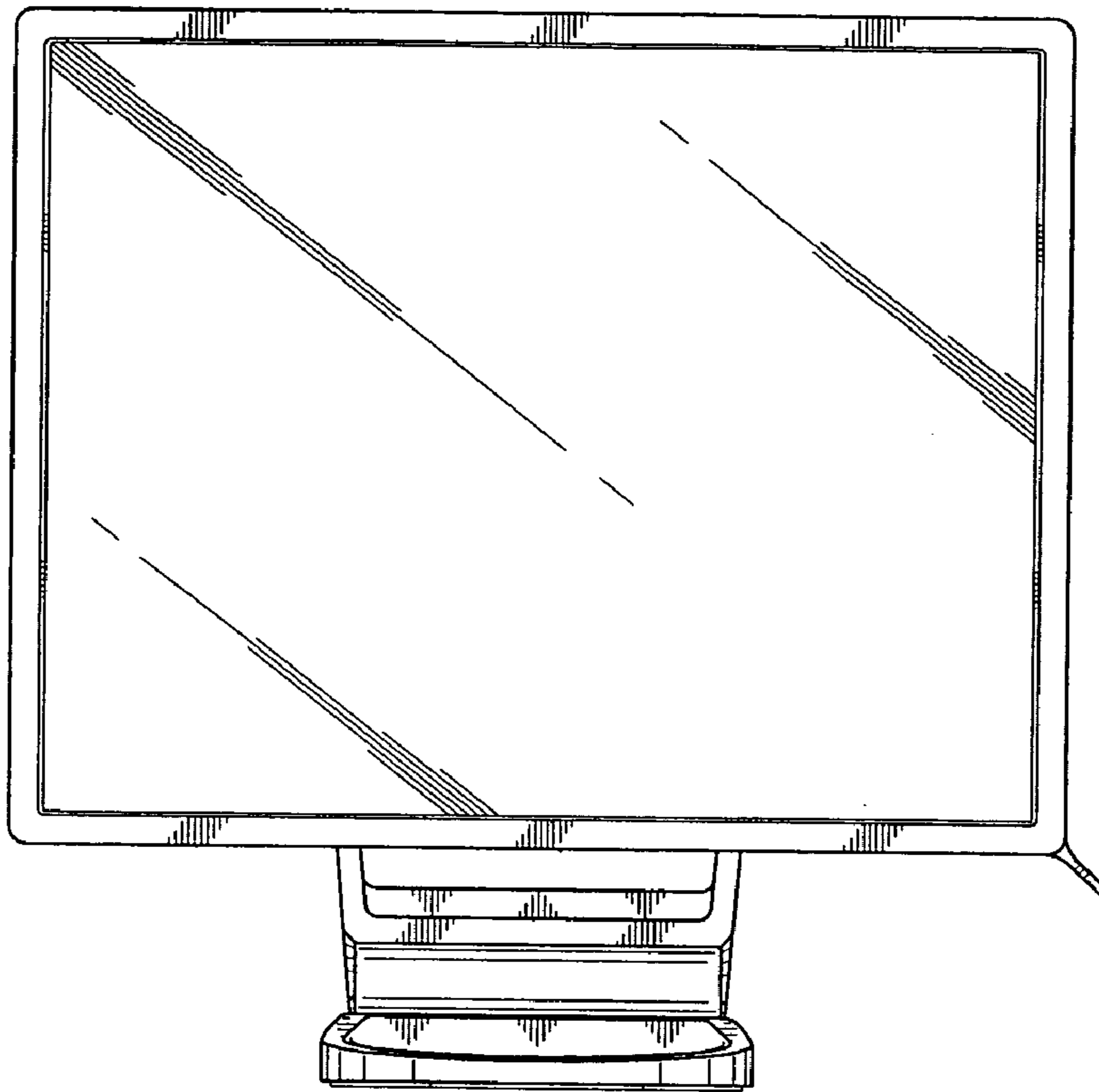


FIG. 2

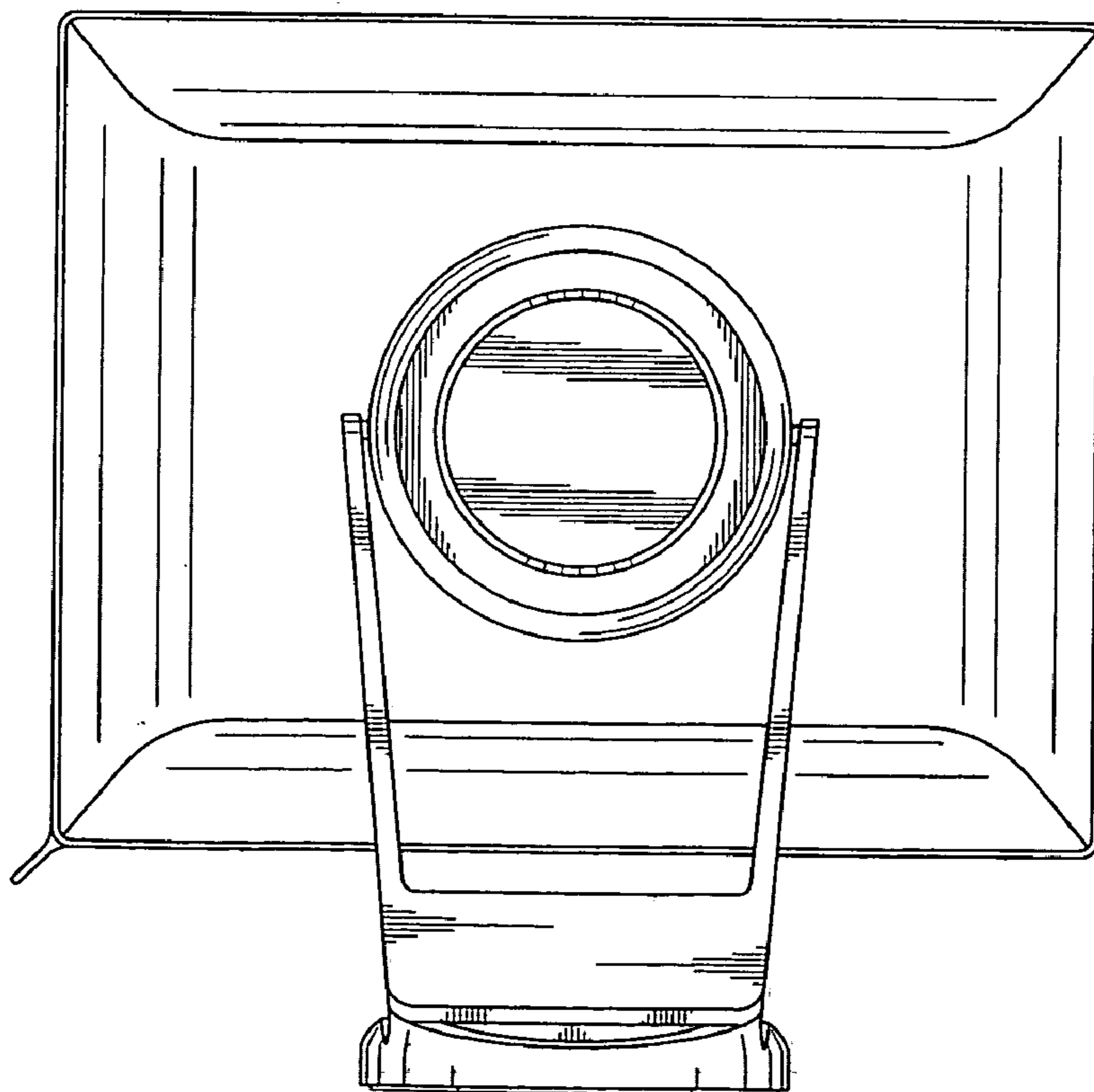


FIG. 3

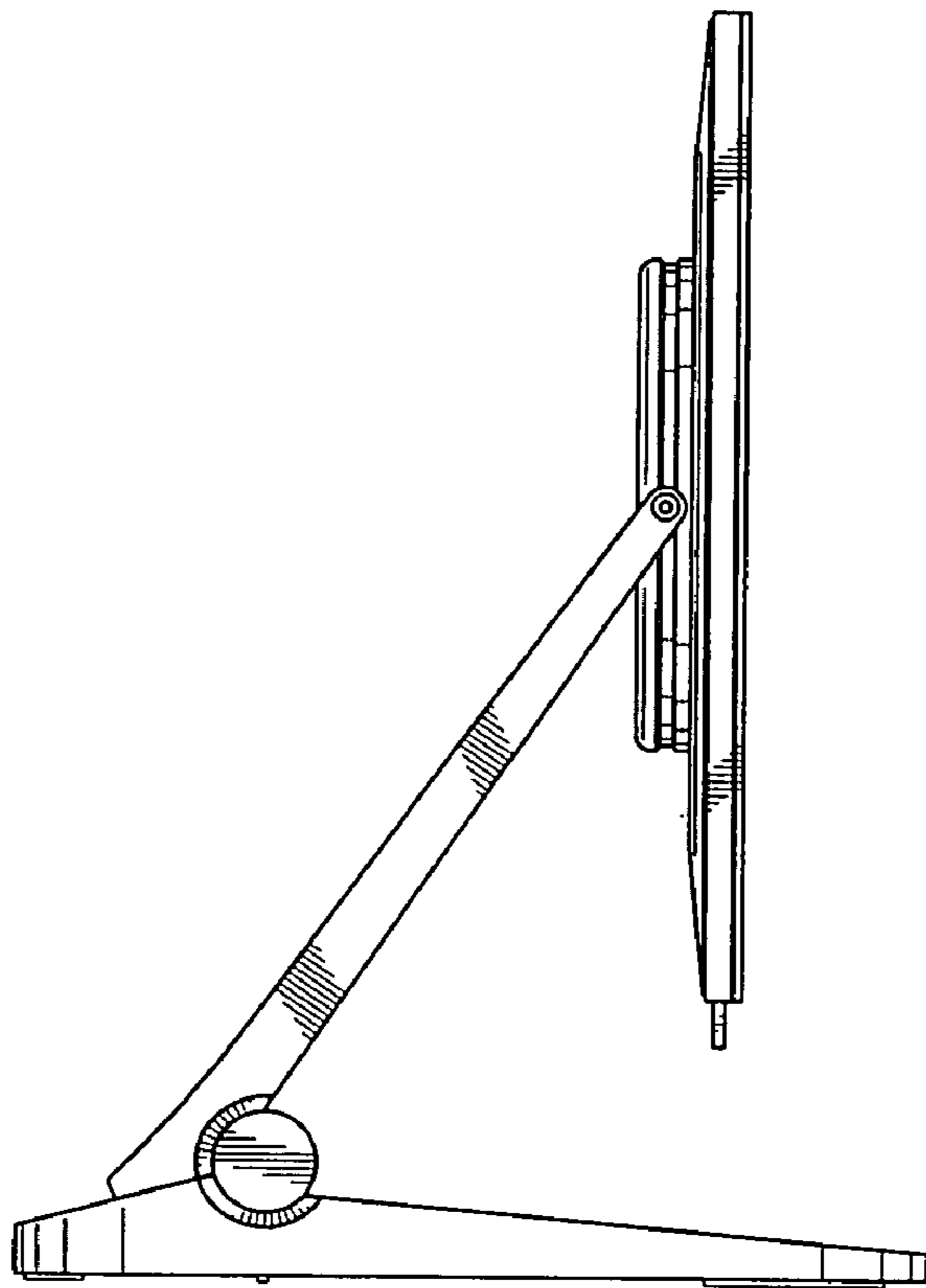


FIG. 4

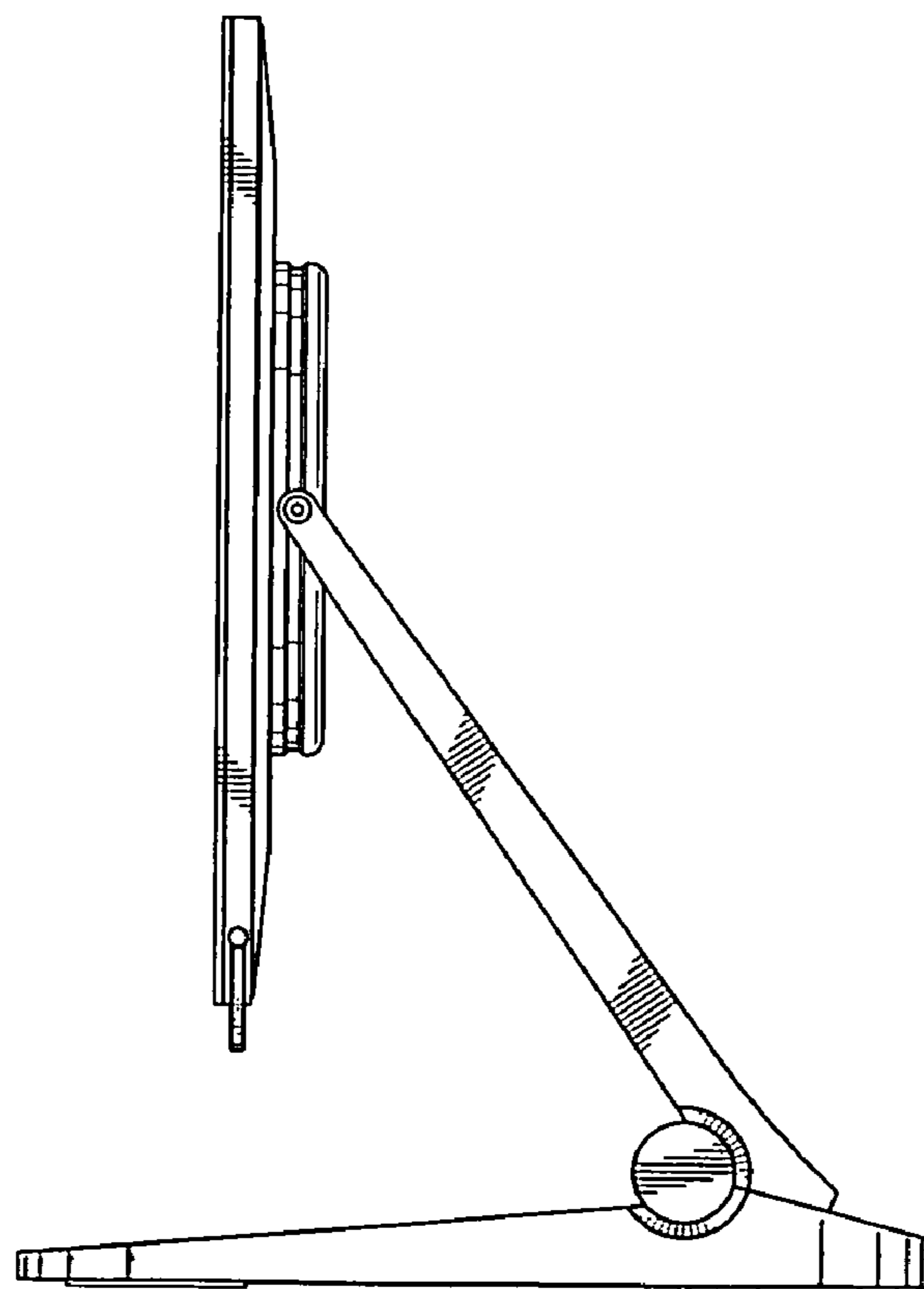


FIG. 5

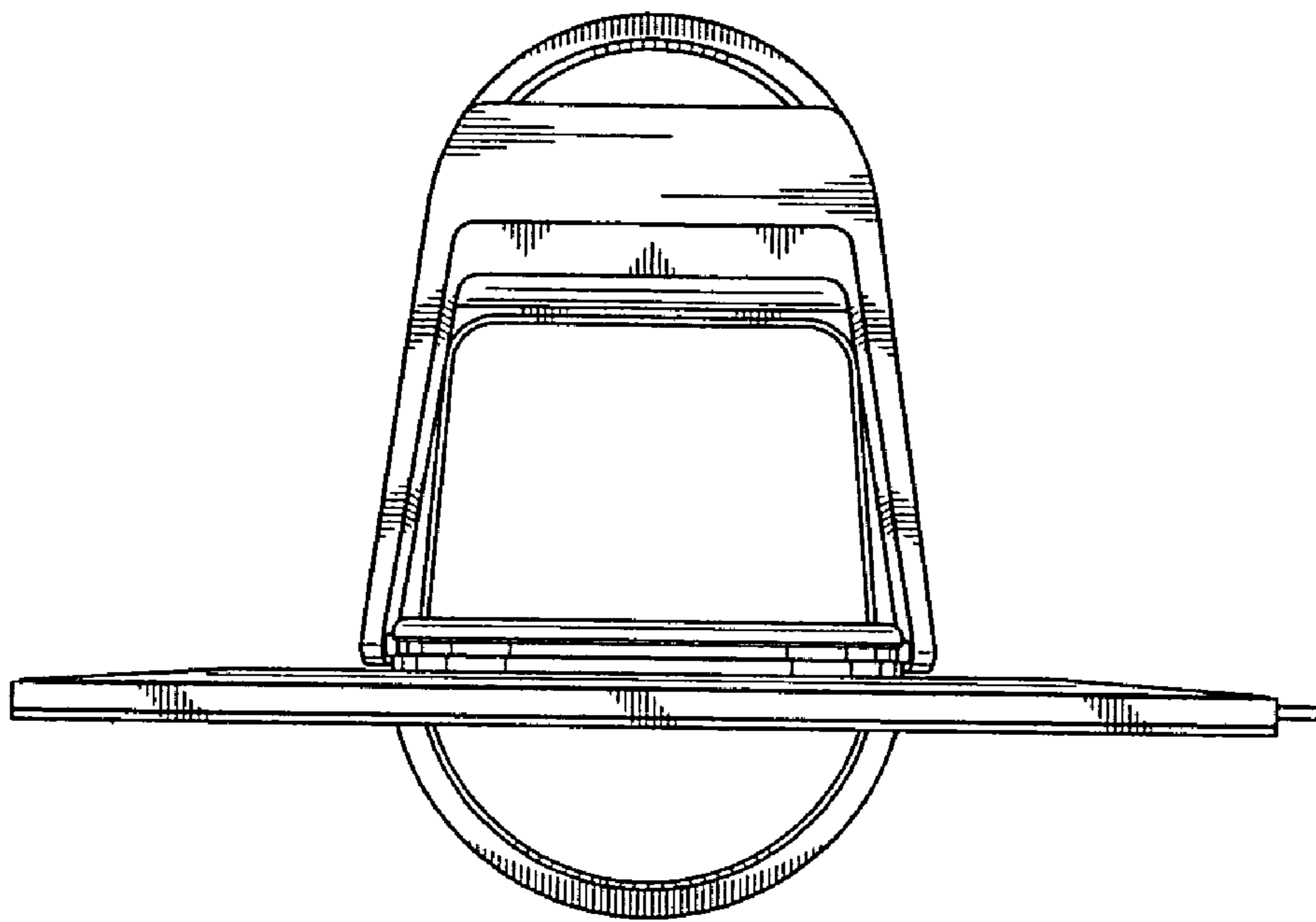


FIG. 6

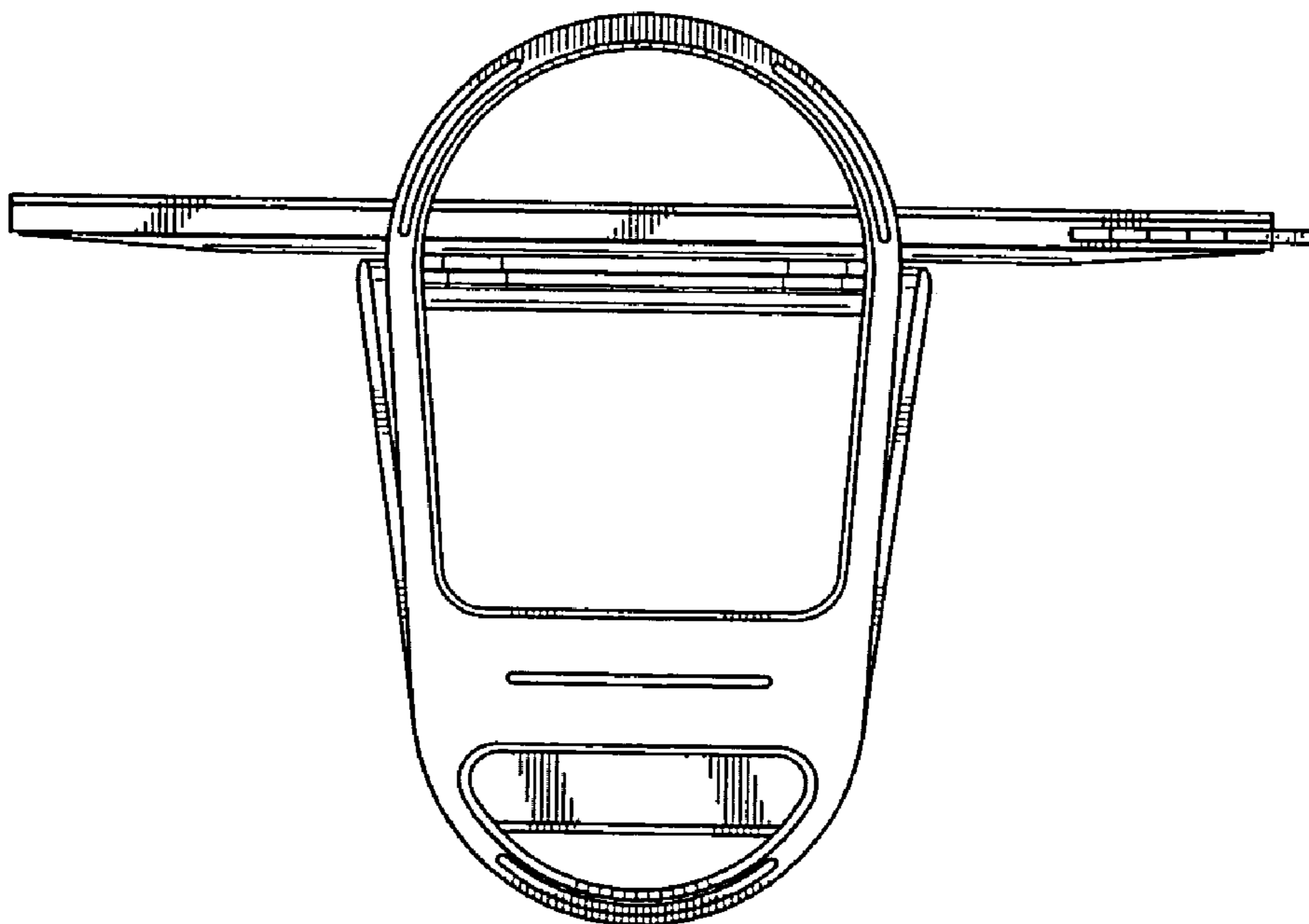


FIG. 7