



US00D556755S

(12) **United States Design Patent** (10) **Patent No.:** **US D556,755 S**  
**Lee et al.** (45) **Date of Patent:** **\*\* Dec. 4, 2007**

(54) **LCD MONITOR**

(75) Inventors: **Yong-Joo Lee**, Seoul (KR); **Jin-Sun Kim**, Seoul (KR); **Hong-Pyo Kim**, Seoul (KR)

(73) Assignee: **Samsung Electronics Co., Ltd.**, Kyunggi-Do (KR)

(\*\*) Term: **14 Years**

(21) Appl. No.: **29/263,587**

(22) Filed: **Jul. 26, 2006**

(51) **LOC (8) Cl.** ..... **14-02**

(52) **U.S. Cl.** ..... **D14/375**

(58) **Field of Classification Search** ..... D14/371-375, D14/125-129, 356; 248/917-924; 345/104, 345/156, 168, 173, 87, 1.1; 348/180, 184, 348/325, 739; 341/12; 349/1, 2, 11, 62  
See application file for complete search history.

(56) **References Cited**

**U.S. PATENT DOCUMENTS**

D412,892 S *	8/1999	Lee	.....	D14/375
D416,875 S *	11/1999	Chuo et al.	.....	D14/375
D458,928 S *	6/2002	Duan	.....	D14/375
D471,549 S *	3/2003	Tsuji	.....	D14/375
6,807,051 B2 *	10/2004	Takahashi	.....	361/681
D512,424 S	12/2005	Kim		
D521,511 S	5/2006	Kim et al.		
D521,996 S	5/2006	Kim et al.		
D521,997 S *	5/2006	Park et al.	.....	D14/375
D522,509 S	6/2006	Park et al.		
D524,313 S	7/2006	Boo et al.		

**OTHER PUBLICATIONS**

U.S. Appl. No. 29/218,855, Applicant: Seung-Ho Lee, et al., filed Dec. 8, 2004 entitled LCD TV.  
U.S. Appl. No. 29/218,856, Applicant: Seung-Ho Lee, et al., filed Dec. 8, 2004 entitled LCD TV.  
U.S. Appl. No. 29/228,024, Applicant: Ki-Soo Kim, et al., filed Apr. 19, 2005 entitled LCD Television.

U.S. Appl. No. 29/241,314, Applicant: Gisuke Ota, filed Oct. 26, 2005 entitled LCD Monitor.

U.S. Appl. No. 29/256,593, Applicant: Jae-Beom Park, et al., filed Mar. 22, 2006 entitled LCD Monitor.

U.S. Appl. No. 29/263,583, Applicant: Ki-Soo Kim, et al., filed Jul. 26, 2006 entitled LCD Monitor.

U.S. Appl. No. 29/263,582, Applicant: Jae-Beom Park, et al., filed Jul. 26, 2006 entitled LCD Monitor.

U.S. Appl. No. 29/263,580, Applicant: Tae-Yeon Won, et al., filed Jul. 26, 2006 entitled LCD Monitor.

U.S. Appl. No. 29/263,585, Applicant: Seung-Ho Lee, et al., filed Jul. 26, 2006 entitled LCD Television Set.

U.S. Appl. No. 29/236,044, Applicant: Sang-Won Yoon, filed Aug. 10, 2005 entitled LCD Monitor.

U.S. Appl. No. 29/236,965, Applicant: Jun-Ho Yang, et al., filed Aug. 24, 2005 entitled Television.

U.S. App. No. 29/236,966, Applicant: Jun-Ho Yang, et al., filed Aug. 24, 2005 entitled LCD Television.

(Continued)

*Primary Examiner*—Freda S. Nunn

(74) *Attorney, Agent, or Firm*—Flynn, Thiel, Boutell & Tanis, P.C.

(57) **CLAIM**

The ornamental design for a LCD monitor, as shown and described.

**DESCRIPTION**

FIG. 1 is a top front perspective view of a LCD monitor showing our new design;

FIG. 2 is a front elevational view thereof;

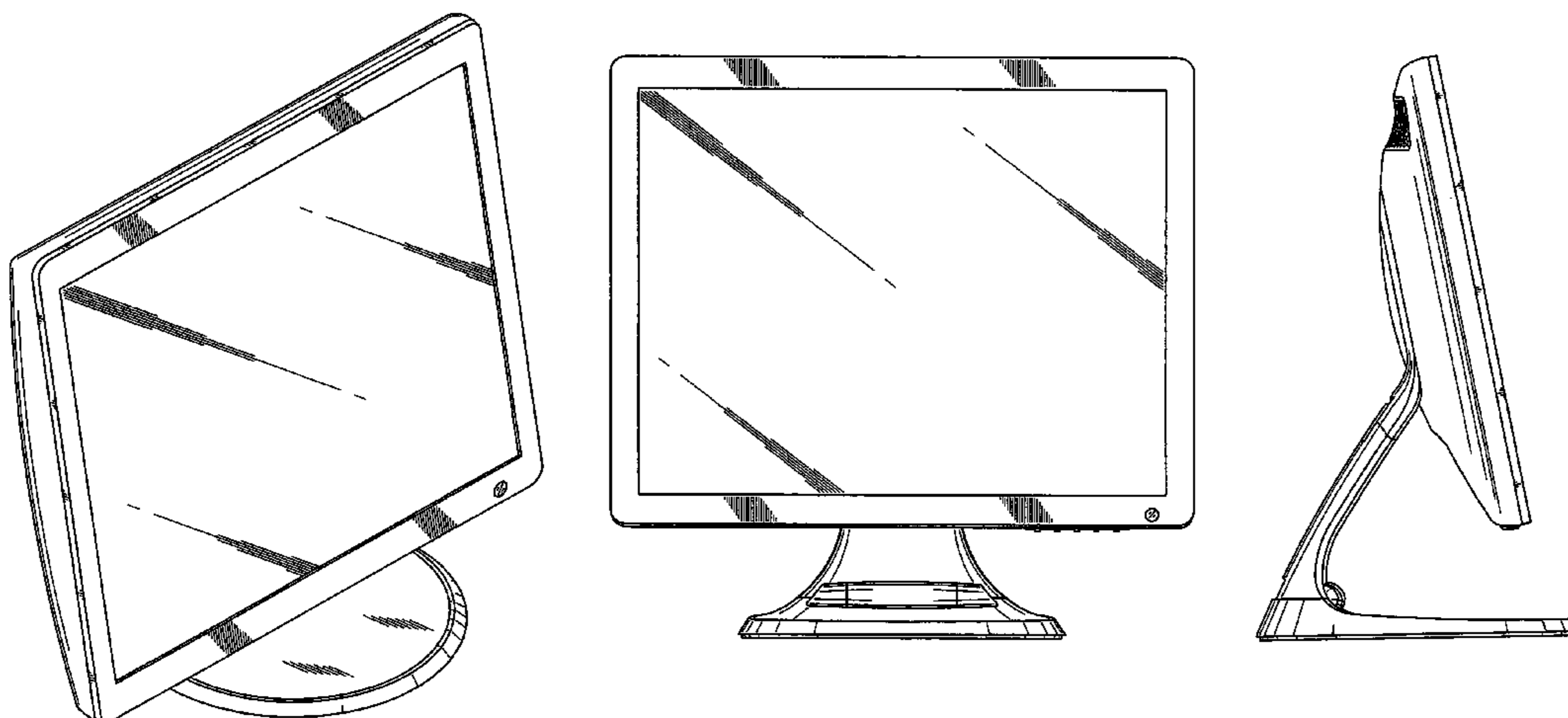
FIG. 3 is a rear elevational view thereof;

FIG. 4 is a left side elevational view, the right side being symmetrical thereof;

FIG. 5 is a top plan view thereof; and,

FIG. 6 is a bottom plan view thereof.

**1 Claim, 5 Drawing Sheets**



OTHER PUBLICATIONS

U.S. Appl. No. 29/240,581, Applicant: Tae-Yeon Won, et al., filed Oct. 14, 2005 entitled LCD Monitor.

U.S. Appl. No. 29/258,368, Applicant: Tae-Yeon Won, et al., filed Apr. 20, 2006 entitled LCD Monitor.

U.S. Appl. No. 29/236,960, Applicant: Baek-Ki Kim, et al., filed Aug. 24, 2005 entitled LCD Monitor.

U.S. Appl. No. 29/258,362, Applicant: Eui-Seok Kim, filed Apr. 20, 2006 entitled LCD Monitor.

U.S. Appl. No. 29/258,364, Applicant: Eui-Seok Kim, filed Apr. 20, 2006 entitled LCD Monitor.

U.S. Appl. No. 29/258,365, Applicant: Eui-Seok Kim, filed Apr. 20, 2006 entitled LCD Monitor.

U.S. Appl. No. 29/258,366, Applicant: Eui-Seok Kim, filed Apr. 20, 2006 entitled LCD Monitor.

U.S. Appl. No. 29/258,363, Applicant: Eui-Seok Kim, filed Apr. 20, 2006 entitled LCD Monitor.

U.S. Appl. No. 29/258,367, Applicant: Eui-Seok Kim, filed Apr. 20, 2006 entitled LCD Monitor.

U.S. Appl. No. 29/258,360, Applicant: Eui-Seok Kim, filed Apr. 20, 2006 entitled LCD Monitor.

\* cited by examiner

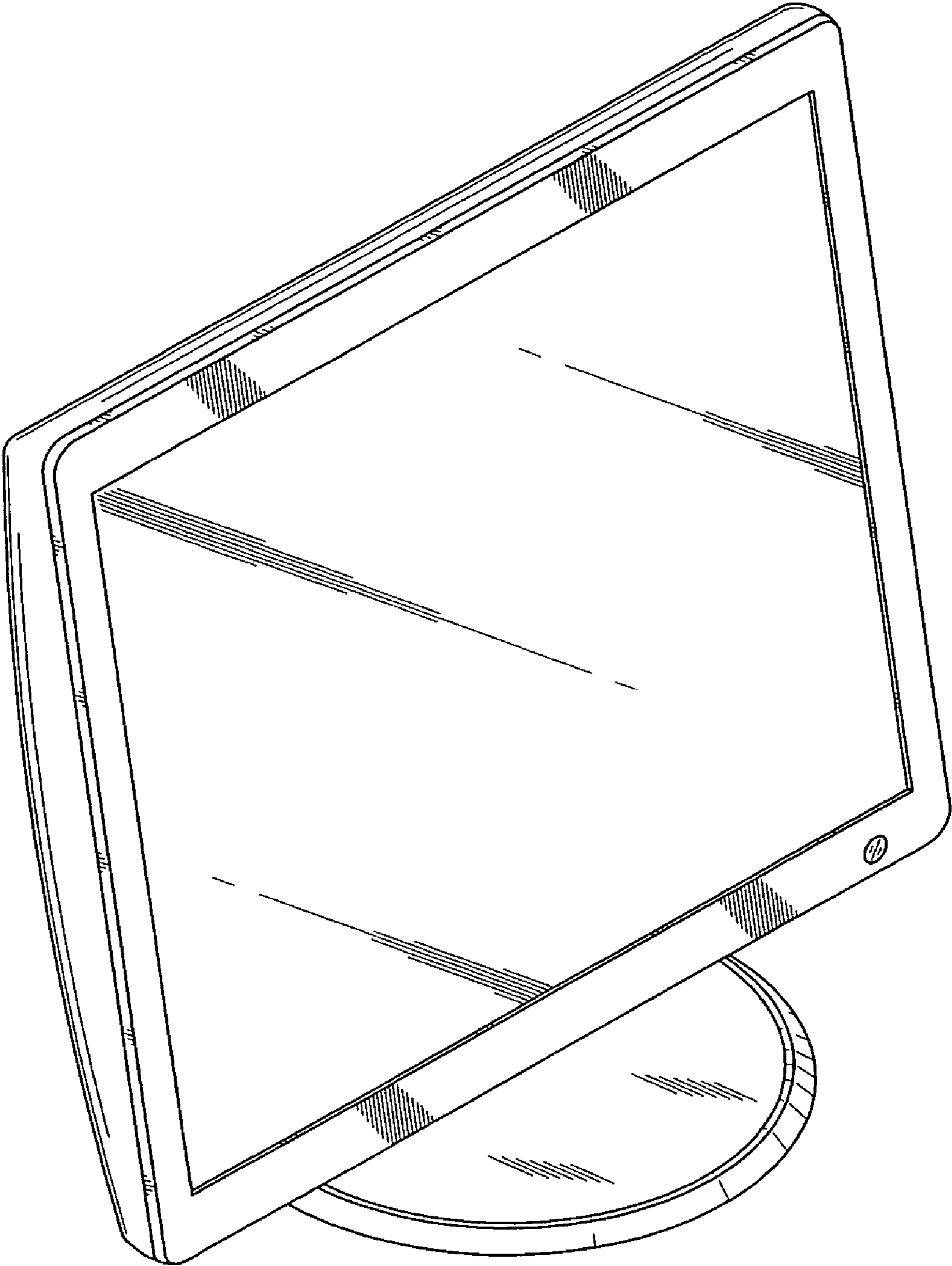


FIG. 1

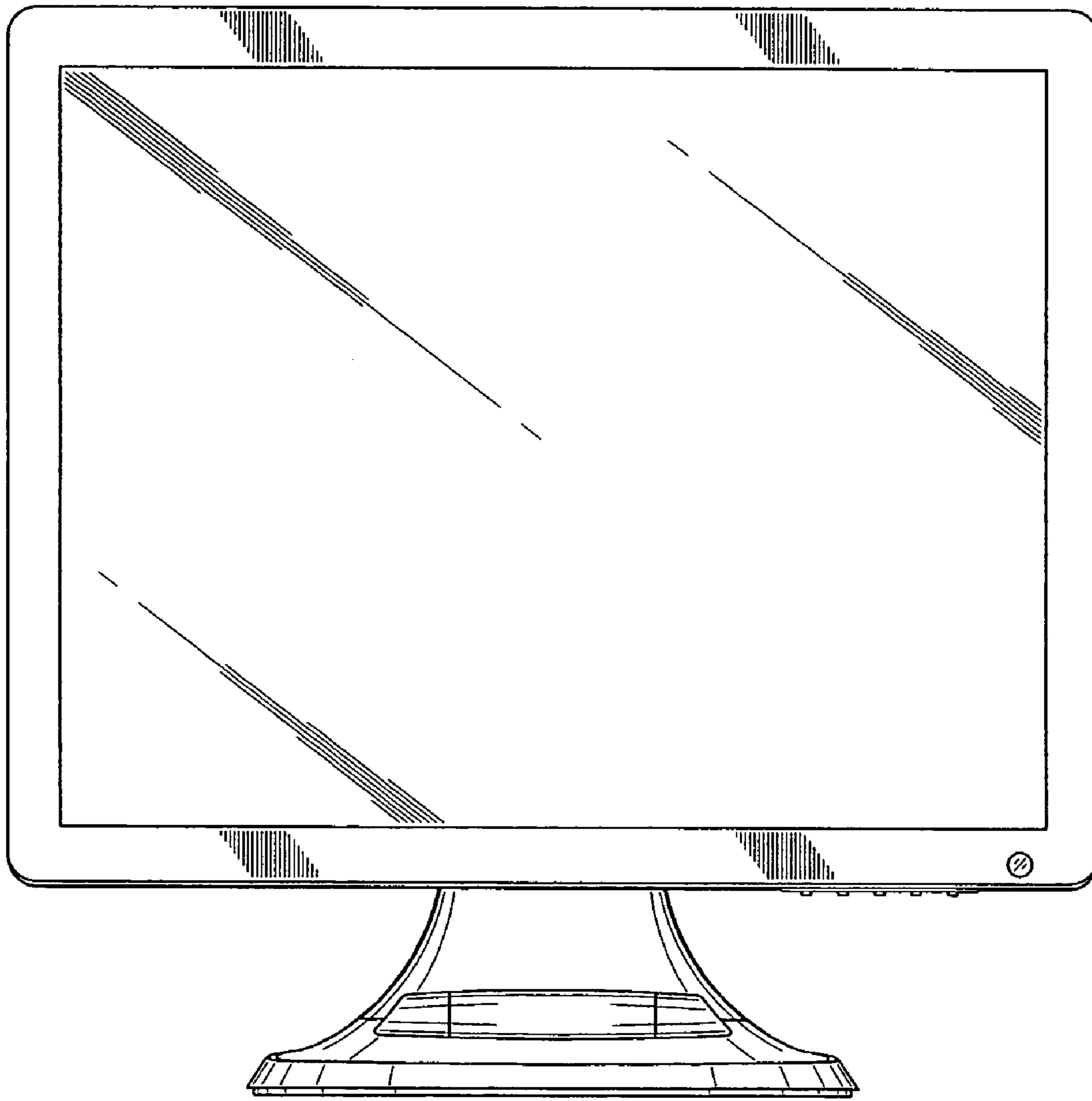


FIG. 2

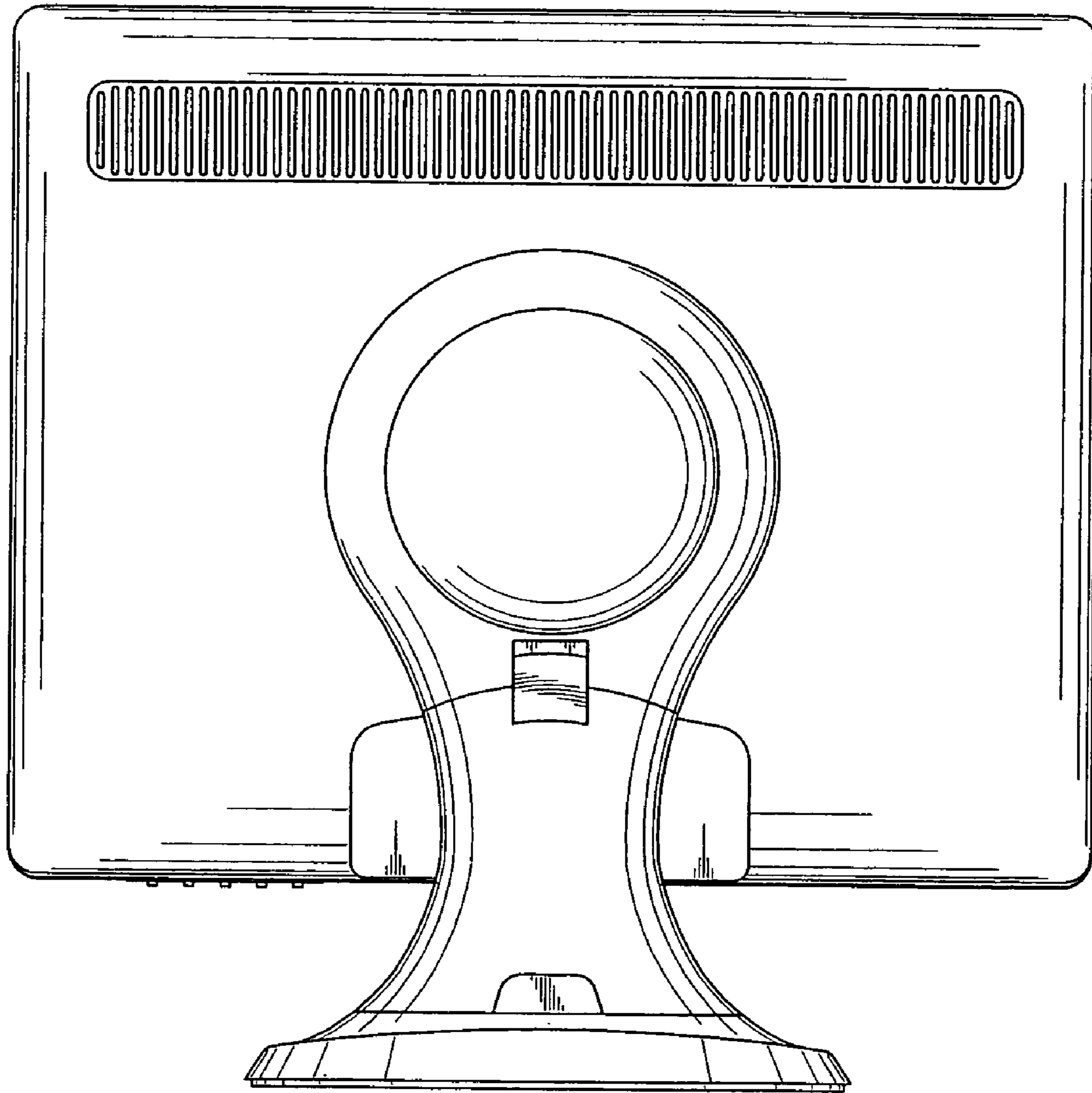


FIG. 3



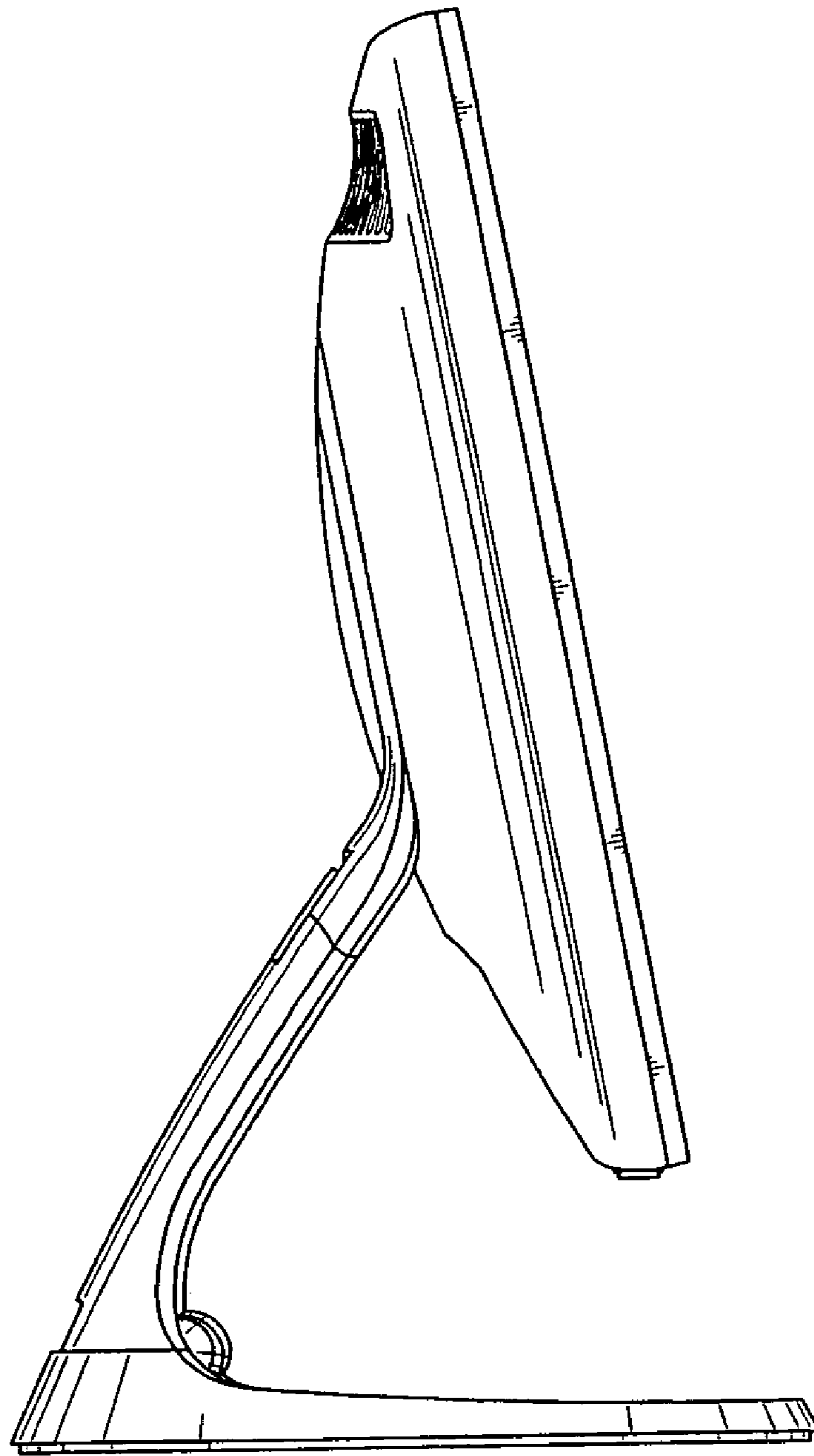


FIG. 4

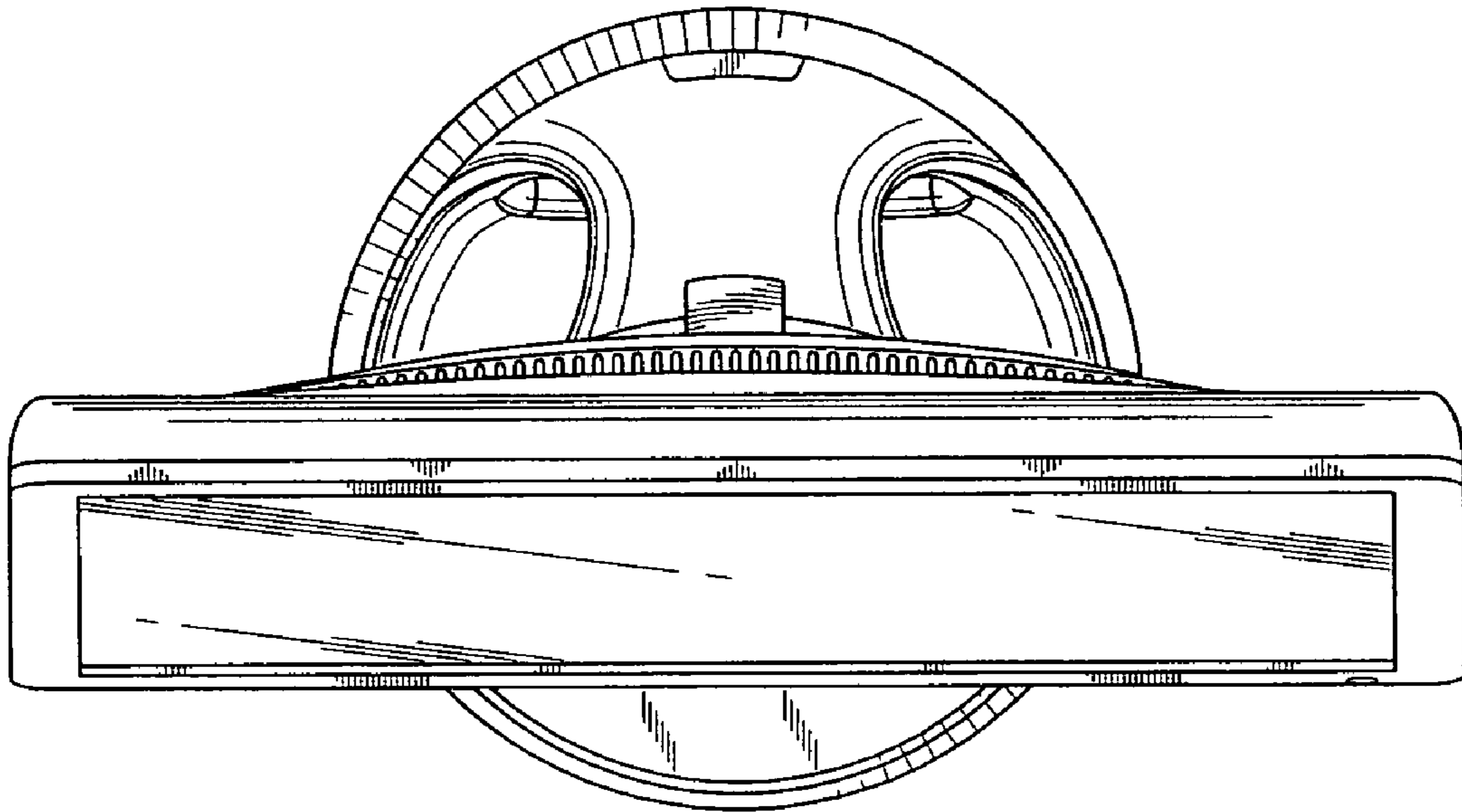


FIG. 5

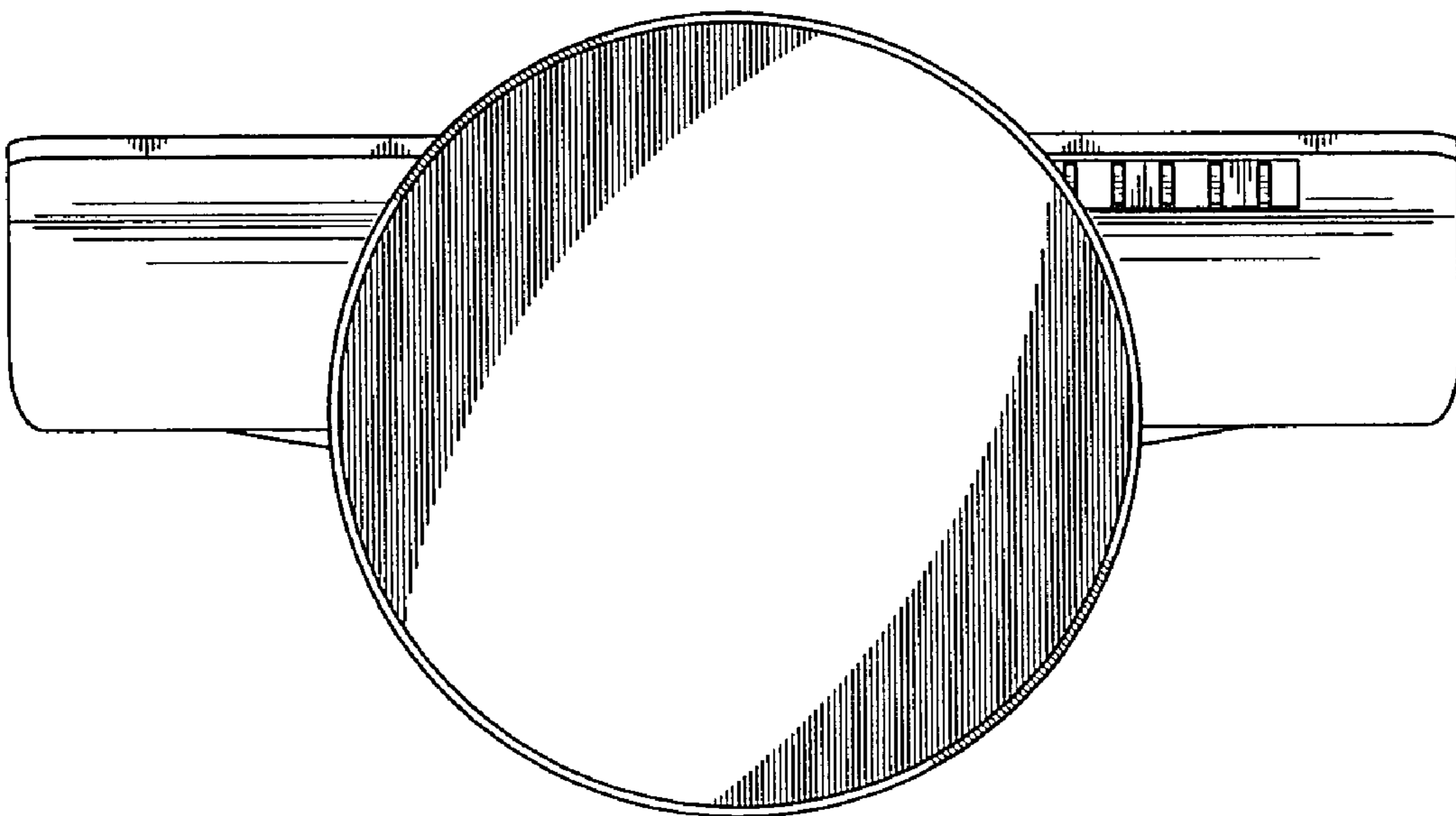


FIG. 6