



US00D556754S

(12) **United States Design Patent**  
**Koo**

(10) **Patent No.:** **US D556,754 S**

(45) **Date of Patent:** **\*\* Dec. 4, 2007**

(54) **PORTABLE DISPLAY**

D524,308 S \* 7/2006 Lai ..... D14/346

(75) Inventor: **Jung In Koo**, Seoul (KR)

\* cited by examiner

(73) Assignee: **LG Electronics Inc.** (KR)

*Primary Examiner*—Freda S Nunn

(\*\*) Term: **14 Years**

(74) *Attorney, Agent, or Firm*—Birch, Stewart, Kolasch & Birch, LLP

(21) Appl. No.: **29/262,783**

(57) **CLAIM**

(22) Filed: **Jul. 12, 2006**

The ornamental design for a portable display, as shown and described.

(30) **Foreign Application Priority Data**

**DESCRIPTION**

Jan. 13, 2006 (KR) ..... 30-2006-0001527

(51) **LOC (8) Cl.** ..... **14-02**

FIG. 1 is a perspective view of a portable display showing my (our) new design;

(52) **U.S. Cl.** ..... **D14/375**

FIG. 2 is a front view thereof;

(58) **Field of Classification Search** ..... D14/371–375,

FIG. 3 is a rear view thereof;

D14/125–129, 339, 341–345; 341/12; 345/104,

FIG. 4 is a left side view thereof;

345/156, 168, 173; 348/180, 184, 325, 739;

FIG. 5 is a right side view thereof;

349/1, 2, 11, 62; 361/680–686; 382/187

FIG. 6 is a top plan view thereof;

See application file for complete search history.

FIG. 7 is a bottom plan view thereof;

(56) **References Cited**

FIG. 8 is a perspective view showing an example of the usage of the subject design; and,

**U.S. PATENT DOCUMENTS**

FIG. 9 is a perspective view showing another example of the usage of the subject design.

D408,794 S \* 4/1999 Ogasawara ..... D14/341

D438,848 S \* 3/2001 Kita ..... D14/126

D466,501 S \* 12/2002 Hirota ..... D14/339

D494,167 S \* 8/2004 Hirakawa et al. .... D14/345

D496,361 S \* 9/2004 Hotta ..... D14/374

**1 Claim, 6 Drawing Sheets**

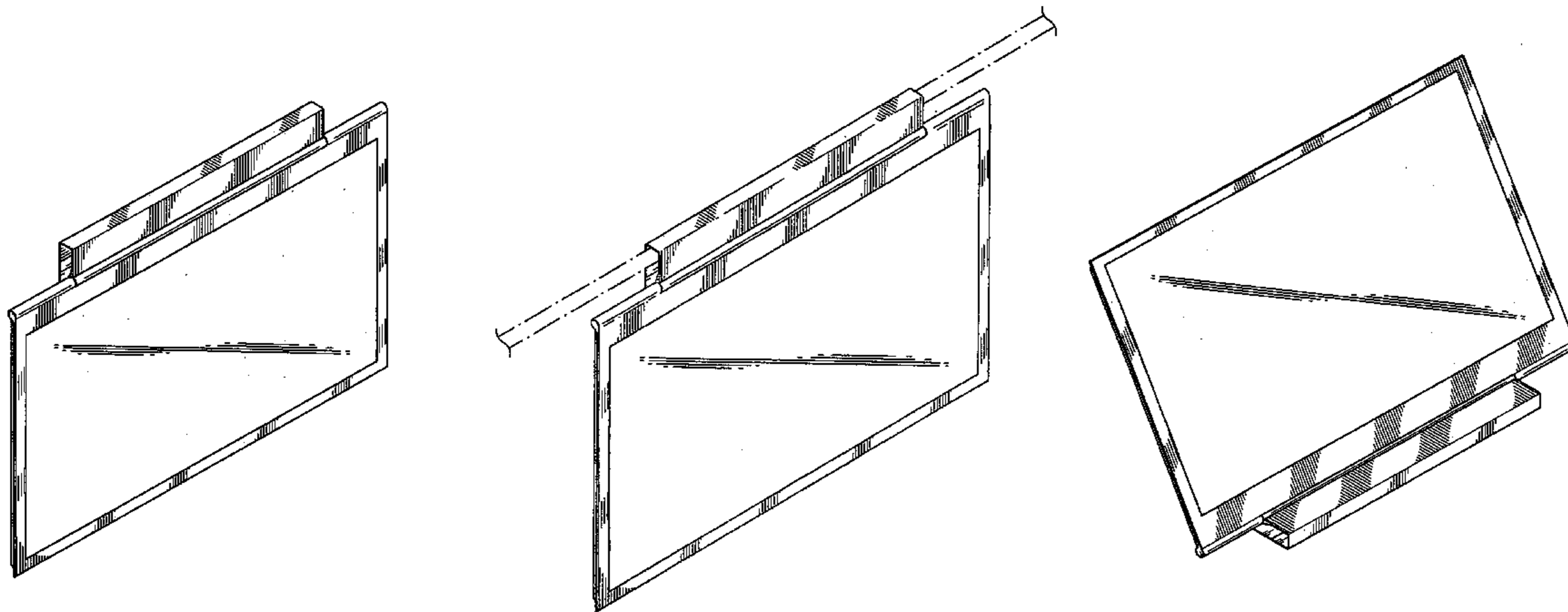


FIG. 1

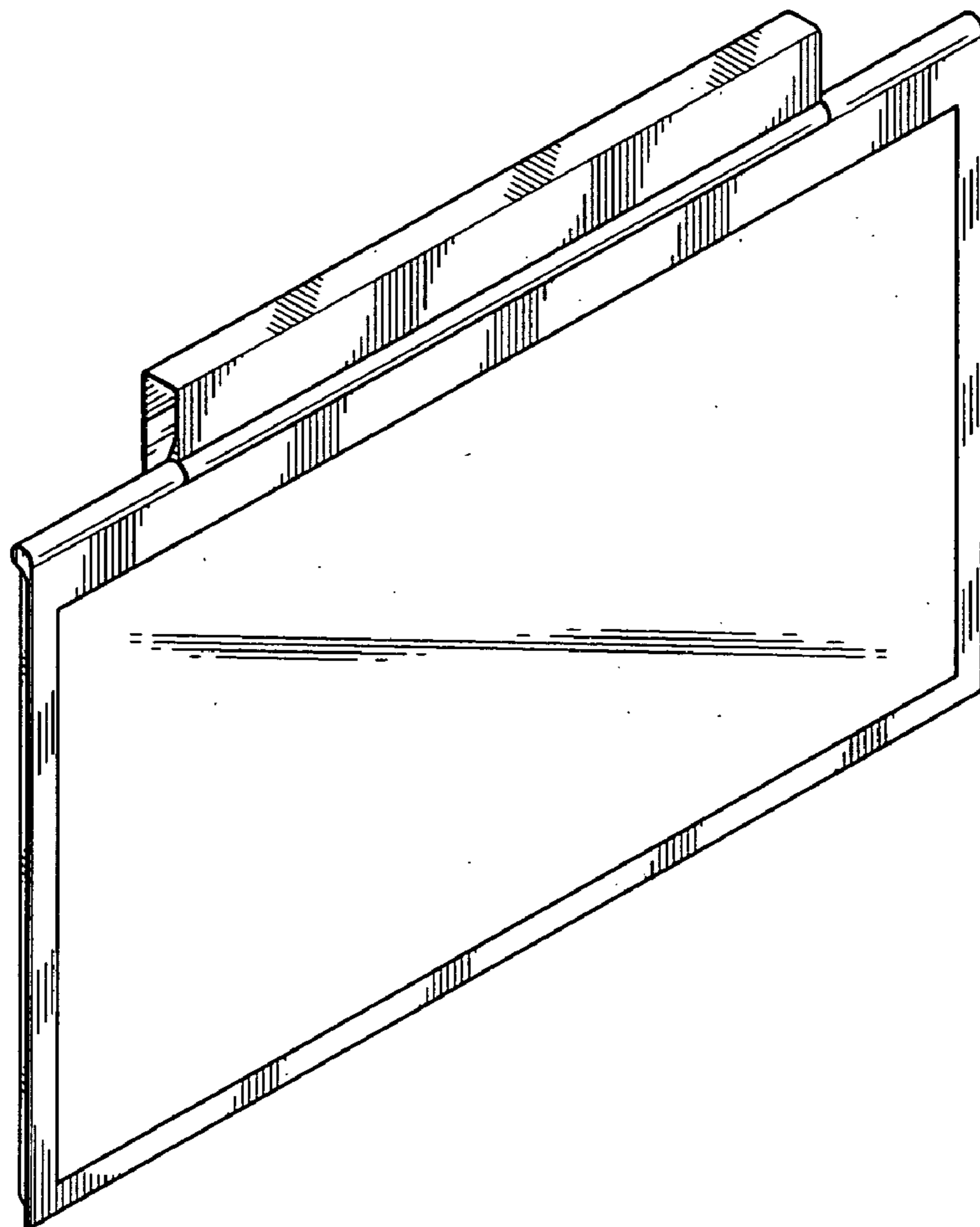


FIG. 2

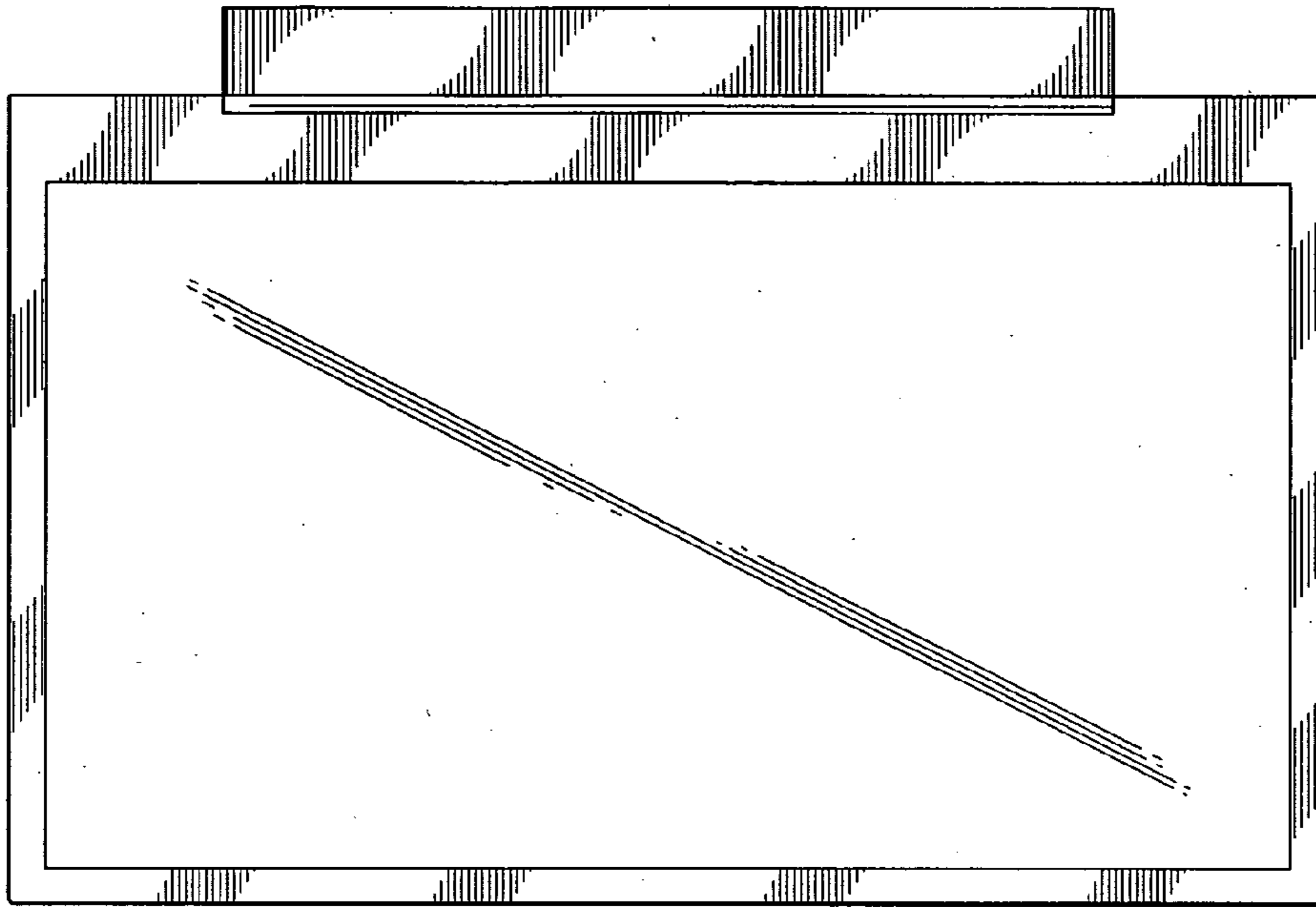


FIG. 3

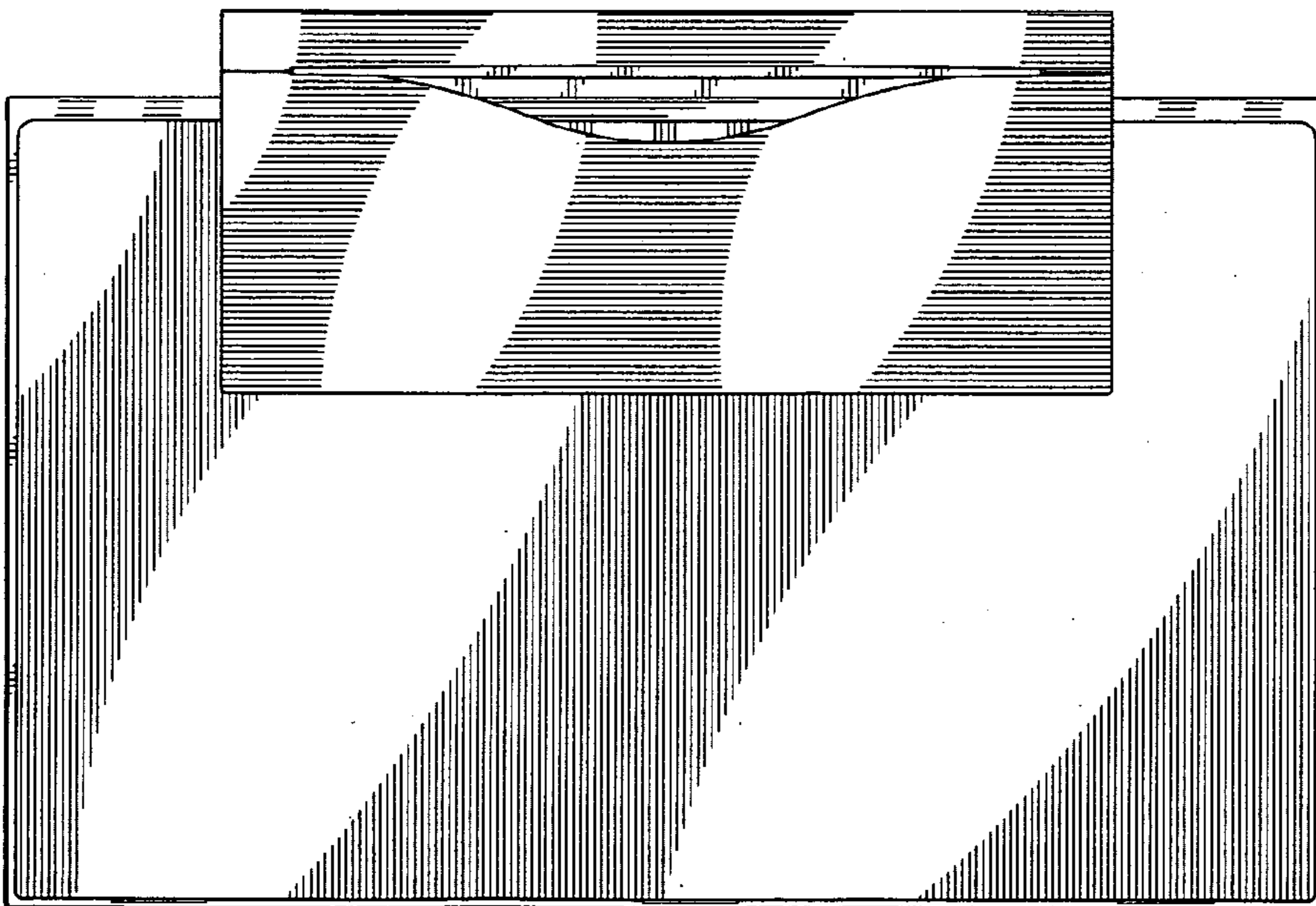


FIG. 4



FIG. 5



FIG. 6



FIG. 7



FIG. 8

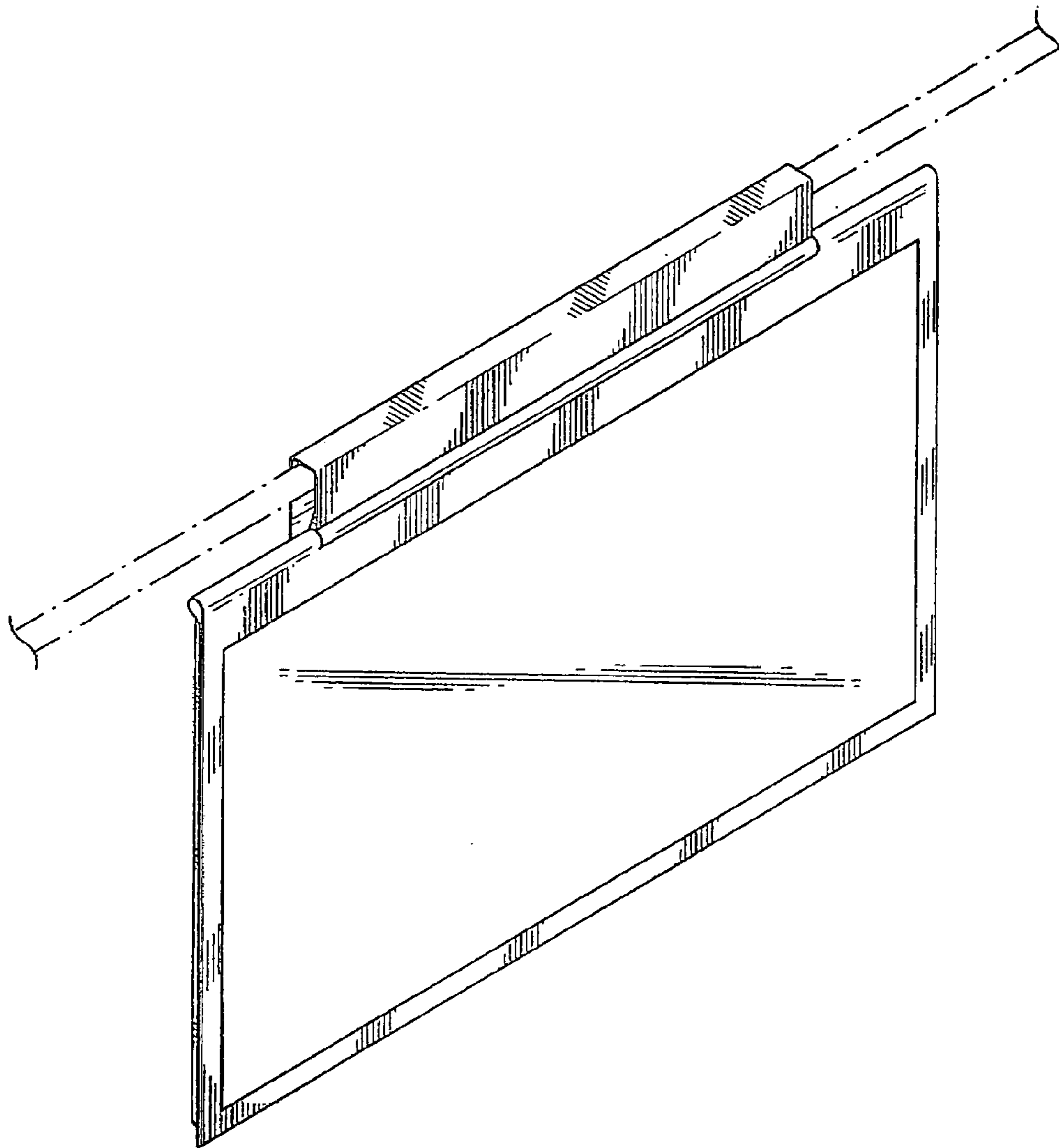


FIG. 9

