



US00D556748S

(12) **United States Design Patent**
Ellenson

(10) **Patent No.:** **US D556,748 S**

(45) **Date of Patent:** **** Dec. 4, 2007**

(54) **INTEGRATED COMMUNICATION DEVICE**

(75) Inventor: **Richard Ellenson**, New York, NY (US)

(73) Assignee: **BlinkTwice, LLC**, New York, NY (US)

(**) Term: **14 Years**

(21) Appl. No.: **29/261,816**

(22) Filed: **Jun. 21, 2006**

Related U.S. Application Data

(63) Continuation-in-part of application No. 11/324,777, filed on Jan. 4, 2006.

(51) **LOC (8) Cl.** **14-02**

(52) **U.S. Cl.** **D14/341**

(58) **Field of Classification Search** D14/341-346, D14/138; D18/1, 2, 7, 11; 235/145 A, 145 R; 341/20, 22, 23; 345/156, 168, 169, 172, 345/173; 349/12; 361/680-686; D19/60; 434/323; D10/40; 704/10

See application file for complete search history.

(56) **References Cited**

U.S. PATENT DOCUMENTS

D266,563 S *	10/1982	White	D14/346
D345,965 S *	4/1994	Hankes	D14/346
5,432,510 A *	7/1995	Matthews	341/20
D377,341 S *	1/1997	Imai et al.	D14/343

D393,834 S *	4/1998	Margalit et al.	D14/346
D453,793 S *	2/2002	Hou	D19/60
D480,722 S *	10/2003	Griffin	D14/346
6,757,156 B2 *	6/2004	Adams et al.	361/681
D498,475 S *	11/2004	Byun	D14/346
D498,754 S *	11/2004	Blyth	D14/341
D515,948 S *	2/2006	Hsu	D10/40

* cited by examiner

Primary Examiner—Freda S Nunn

(74) *Attorney, Agent, or Firm*—Richard E. Kurtz; James E. Goepel; Greenberg Traurig, LLP

(57) **CLAIM**

The ornamental design for an integrated communication device, as shown and described.

DESCRIPTION

FIG. 1 is a top perspective view of the integrated communication device showing the present design;

FIG. 2 is a top plan view of the present design;

FIG. 3 is a bottom plan view of the present design;

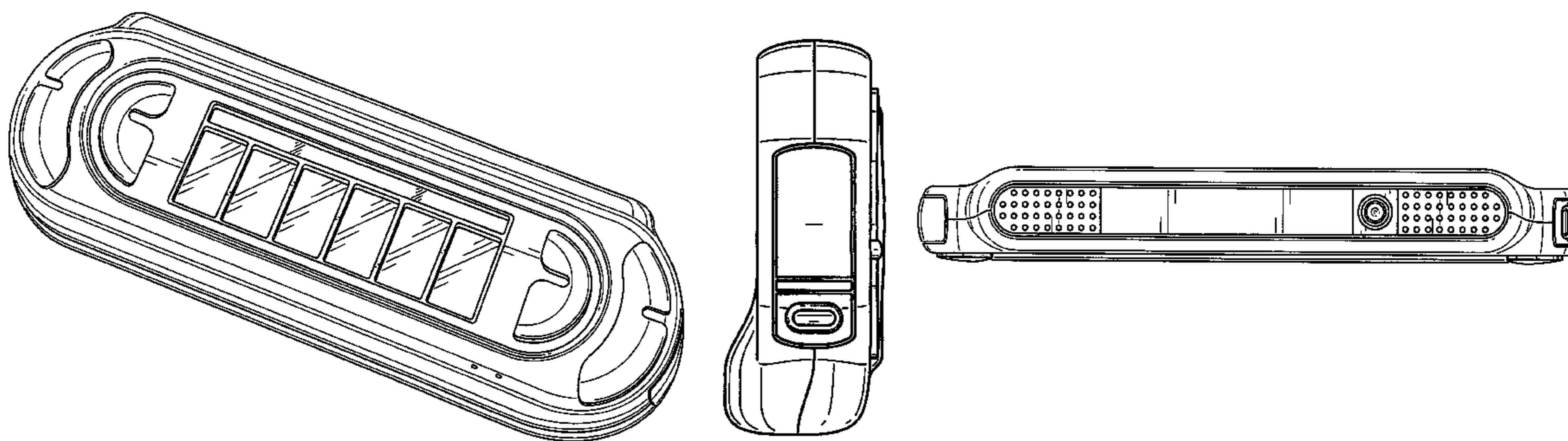
FIG. 4 is a left elevation view of the present design;

FIG. 5 is a right elevation view of the present design;

FIG. 6 is a front elevation view of the present design; and,

FIG. 7 is a rear elevation view of the present design.

1 Claim, 5 Drawing Sheets



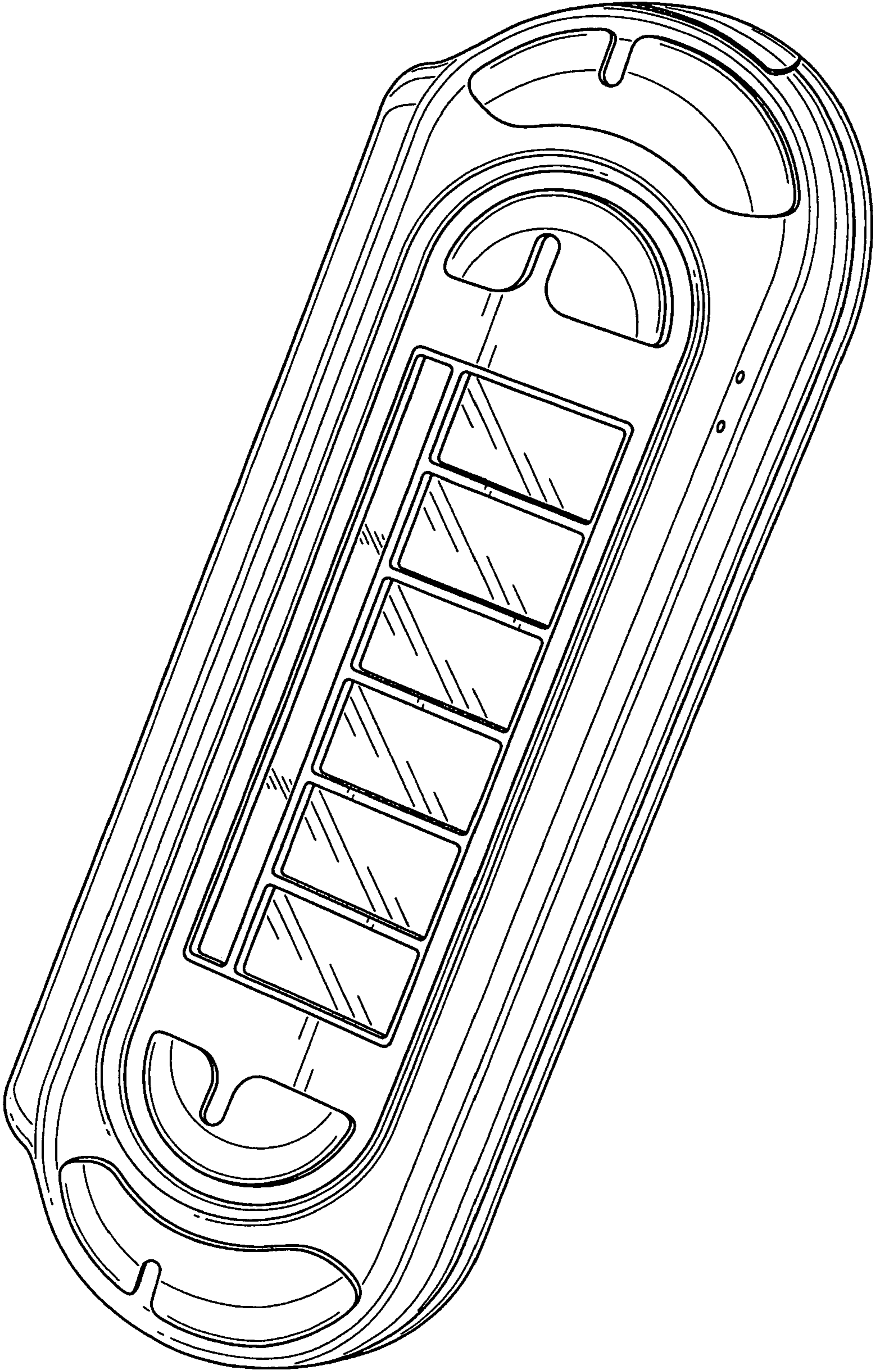


FIG. 1

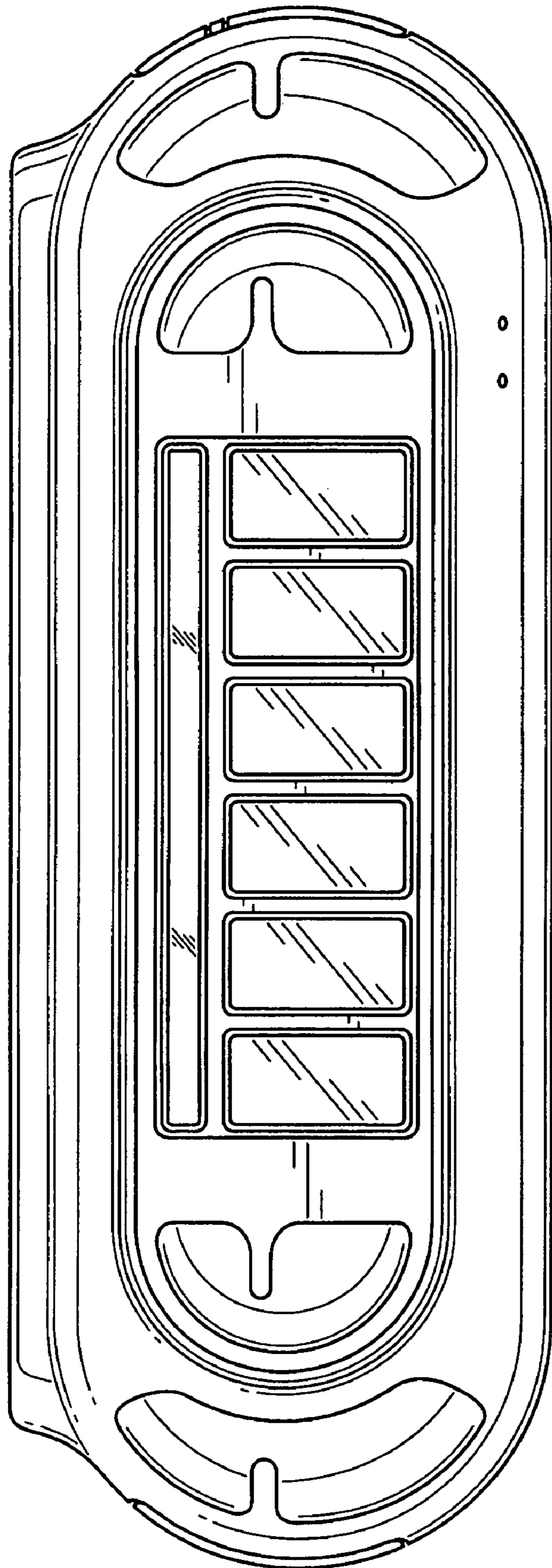


FIG. 2

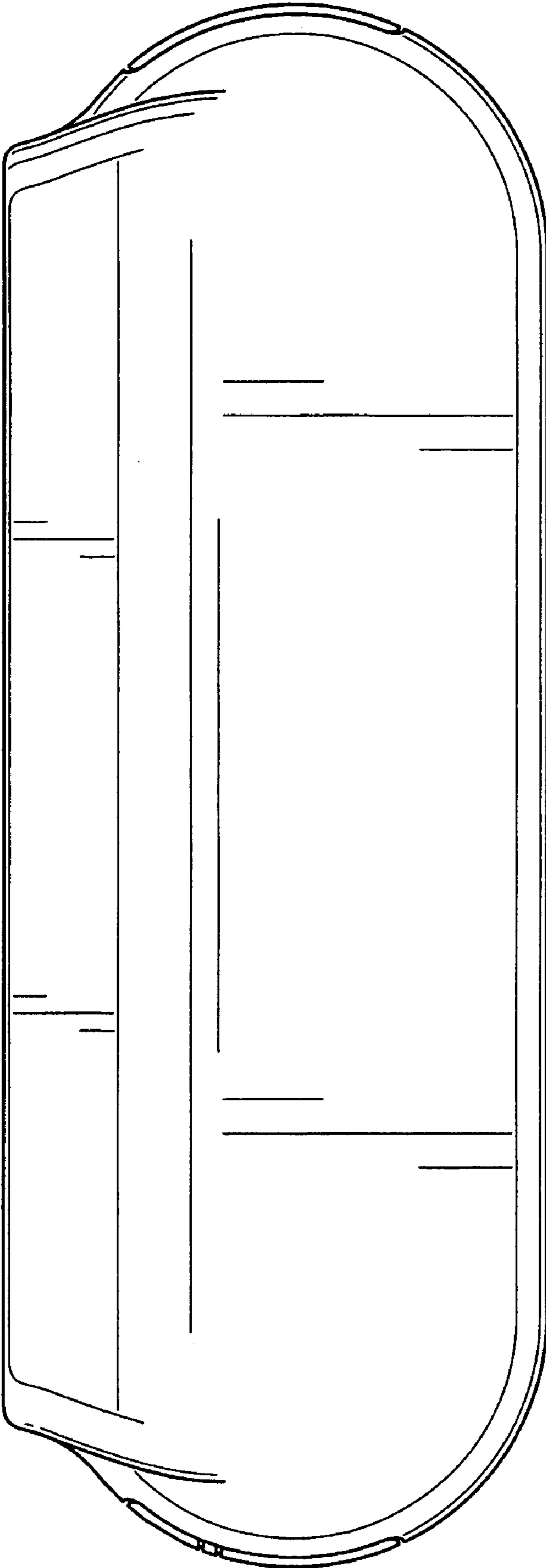


FIG. 3

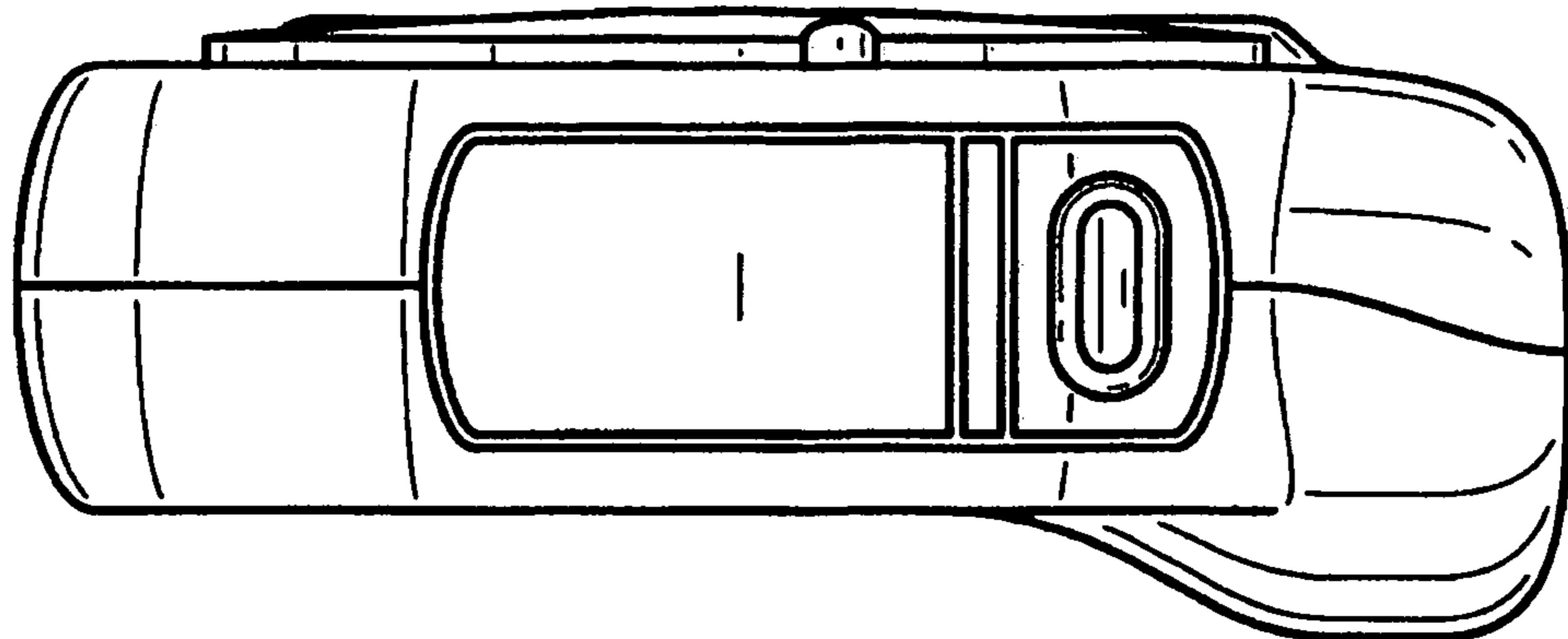


FIG. 5

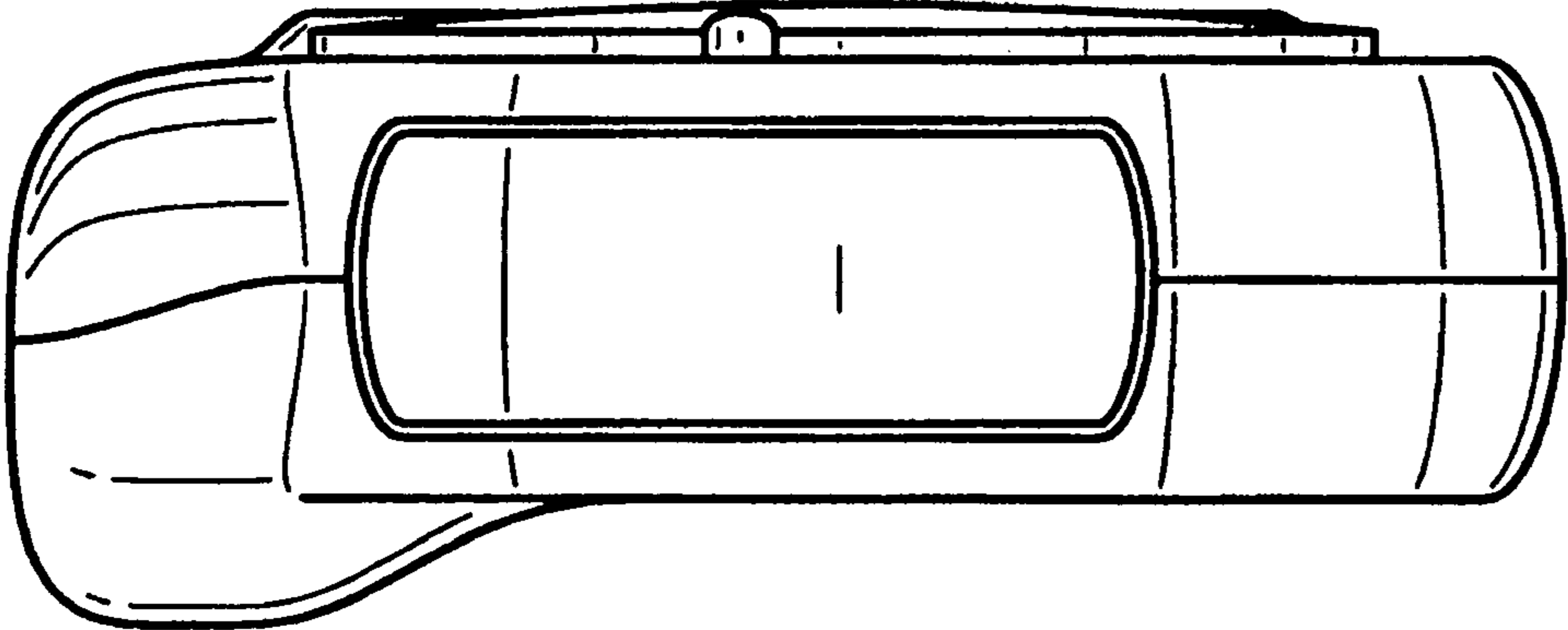


FIG. 4

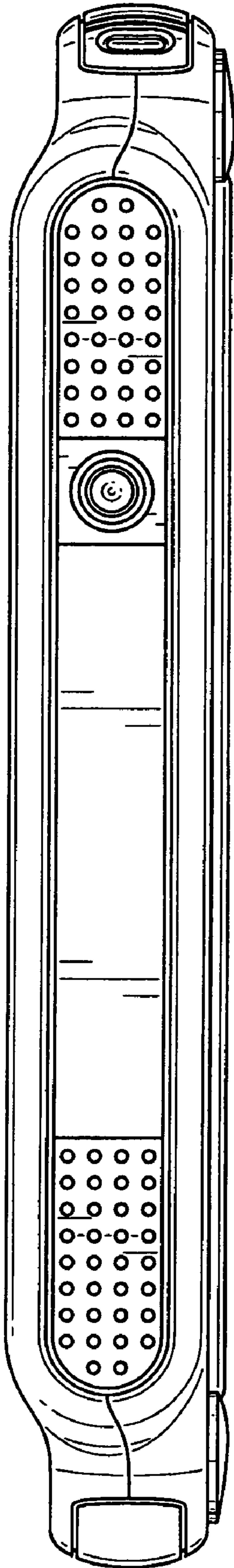


FIG. 6

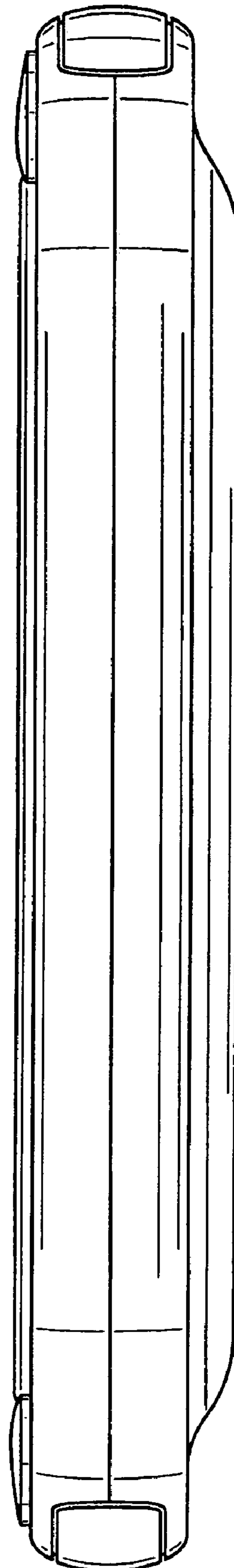


FIG. 7