



US00D556747S

(12) **United States Design Patent**
Wang

(10) **Patent No.:** **US D556,747 S**

(45) **Date of Patent:** **** Dec. 4, 2007**

(54) **COMPUTER CASE**

(75) Inventor: **Wu-Nan Wang**, Hsichih (TW)

(73) Assignee: **Aopen Inc.**, Taipei Hsien (TW)

(**) Term: **14 Years**

(21) Appl. No.: **29/245,822**

(22) Filed: **Dec. 30, 2005**

(30) **Foreign Application Priority Data**

Nov. 10, 2005 (TW) 94306803

(51) **LOC (8) Cl.** **14-02**

(52) **U.S. Cl.** **D14/300**

(58) **Field of Classification Search** D14/300-302,
D14/308, 349, 310-314, 348, 351-369, 214;
D13/162, 163, 184, 199; 312/223.1-223.3;
360/99.01-99.12; 361/690-696; 369/34.01,
369/36.01

See application file for complete search history.

(56) **References Cited**

U.S. PATENT DOCUMENTS

D264,970 S * 6/1982 Giannotti, Jr. D14/369

D438,200 S * 2/2001 Hui D14/301
D476,311 S * 6/2003 Hisatsune D14/214
D477,315 S * 7/2003 Lee D14/301
D511,772 S * 11/2005 Su et al. D14/300

* cited by examiner

Primary Examiner—Freda S. Nunn

(74) *Attorney, Agent, or Firm*—Bacon & Thomas, PLLC

(57) **CLAIM**

The ornamental design for a computer case, as shown and described.

DESCRIPTION

FIG. 1 is a perspective view of a computer case in accordance with my design.

FIG. 2 is a front view thereof;

FIG. 3 is a rear view thereof;

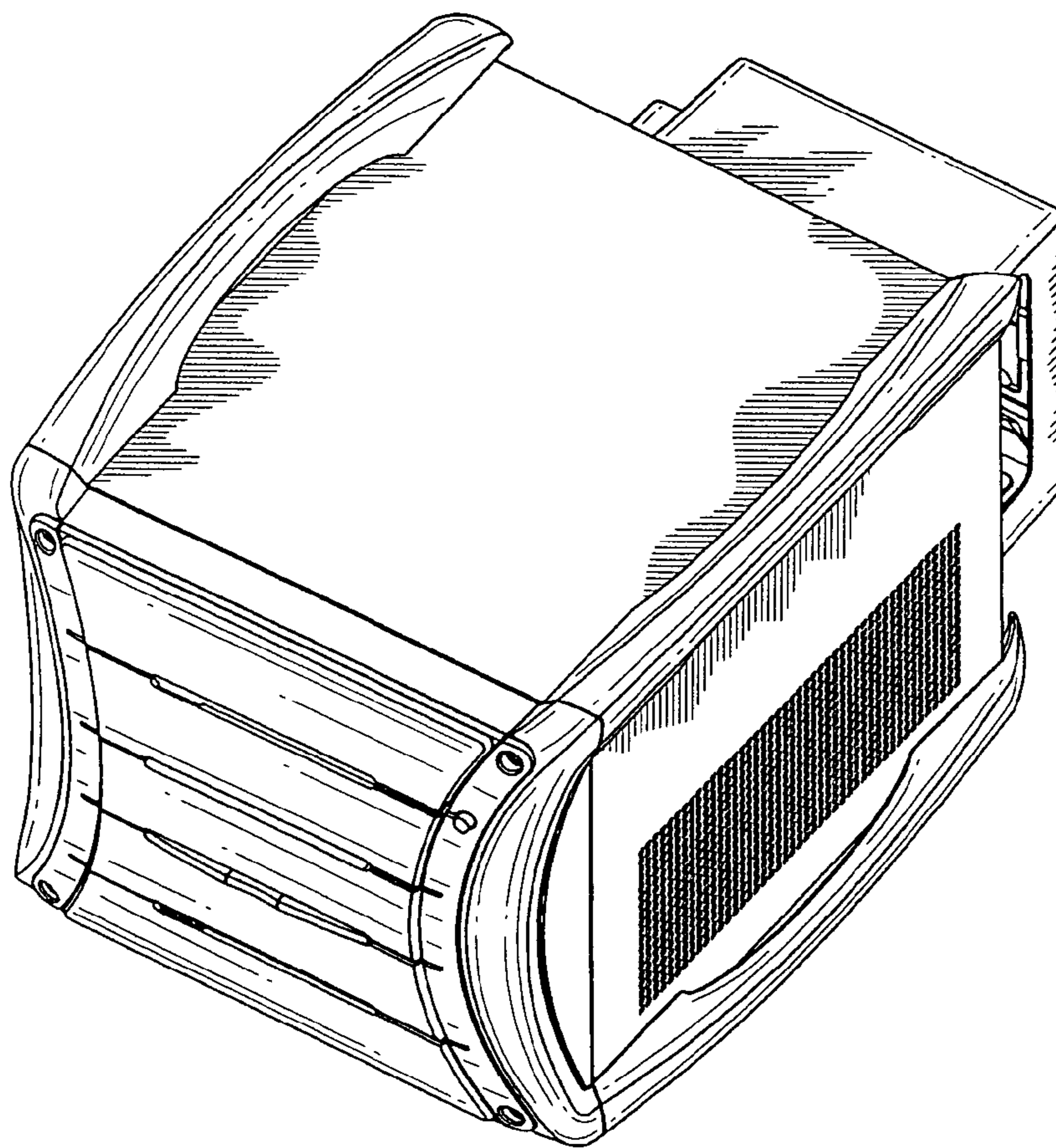
FIG. 4 is a left view thereof;

FIG. 5 is a right view thereof;

FIG. 6 is a top view thereof; and,

FIG. 7 is a bottom view thereof.

1 Claim, 4 Drawing Sheets



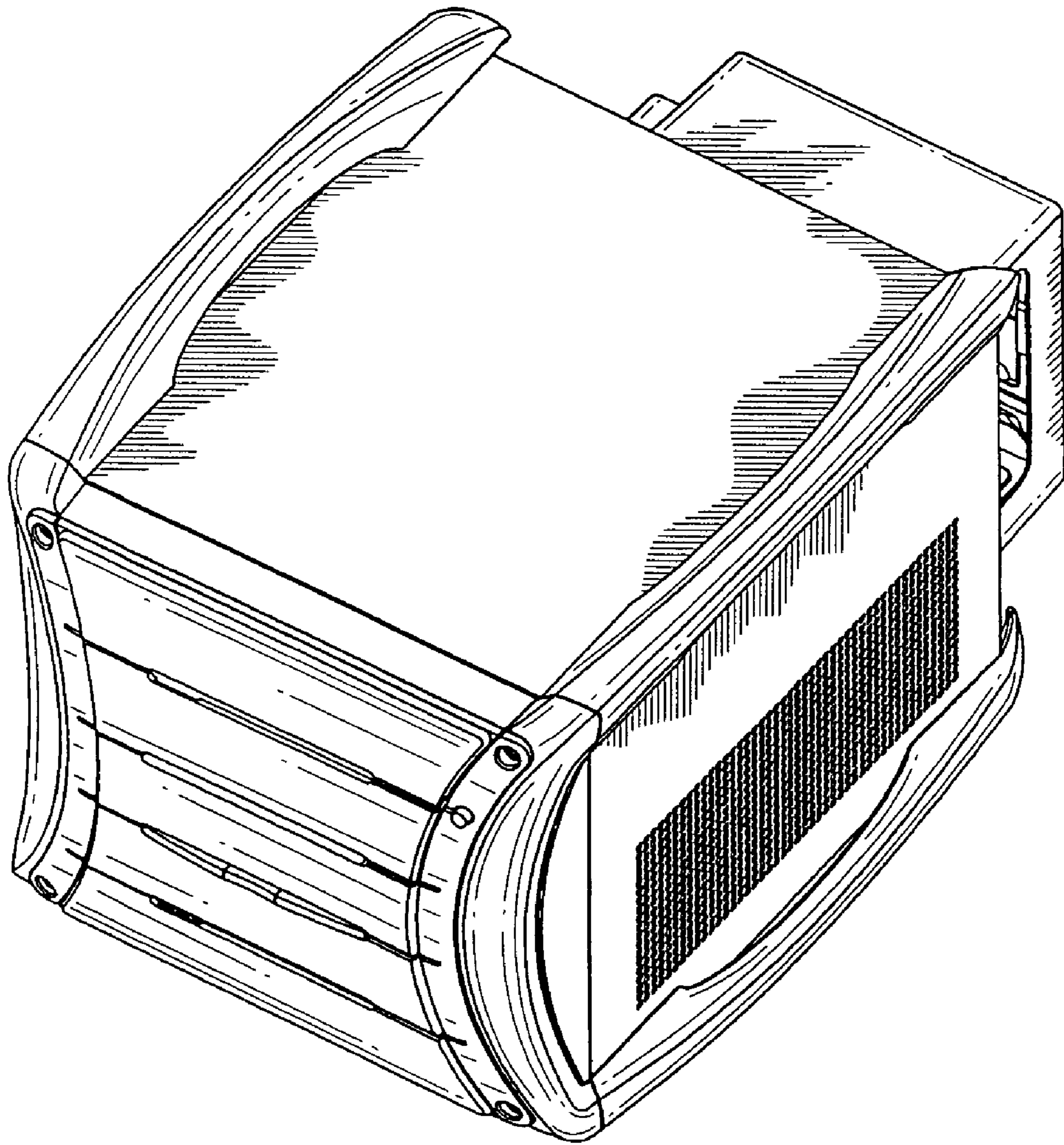


FIG. 1

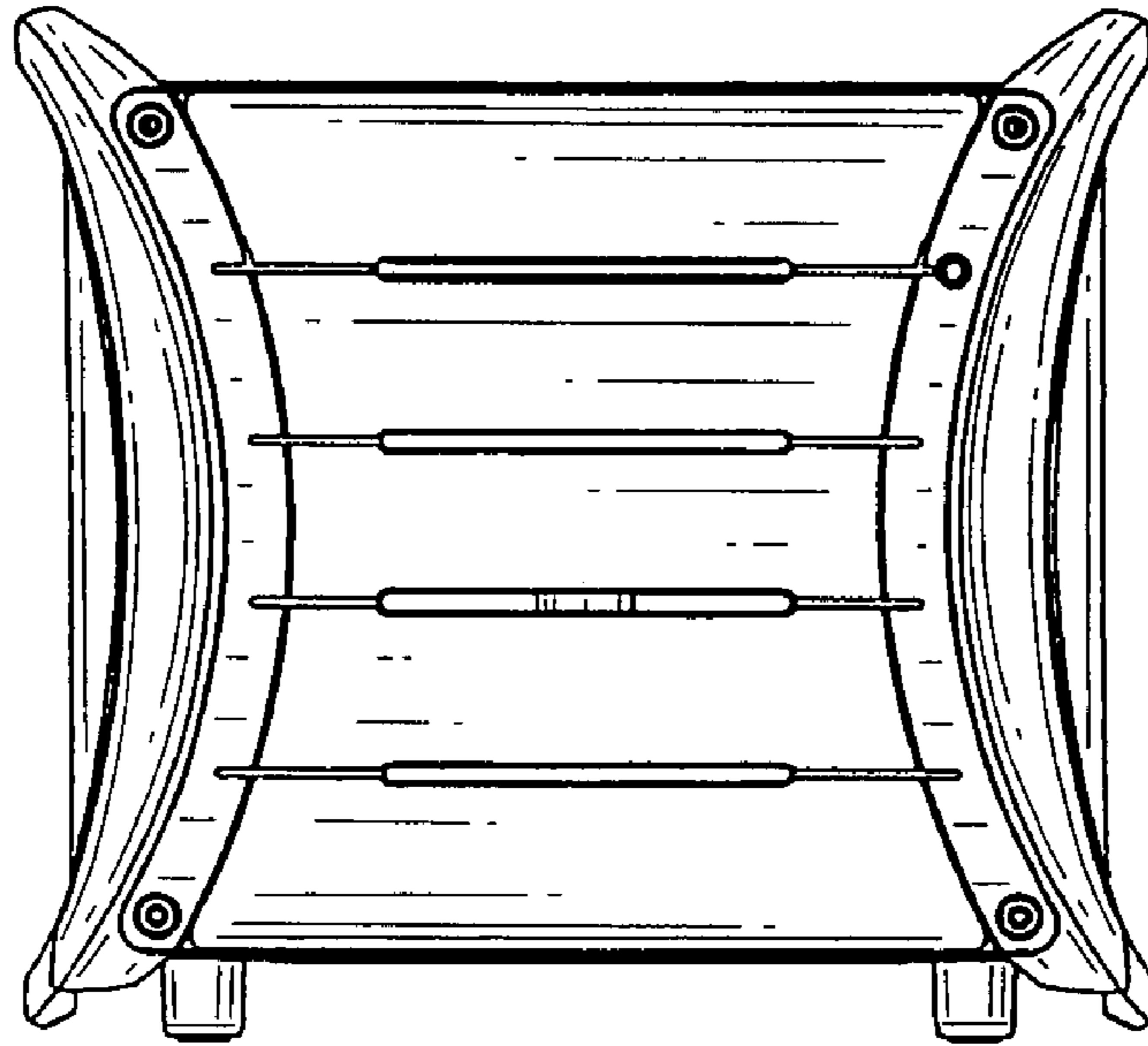


FIG. 2

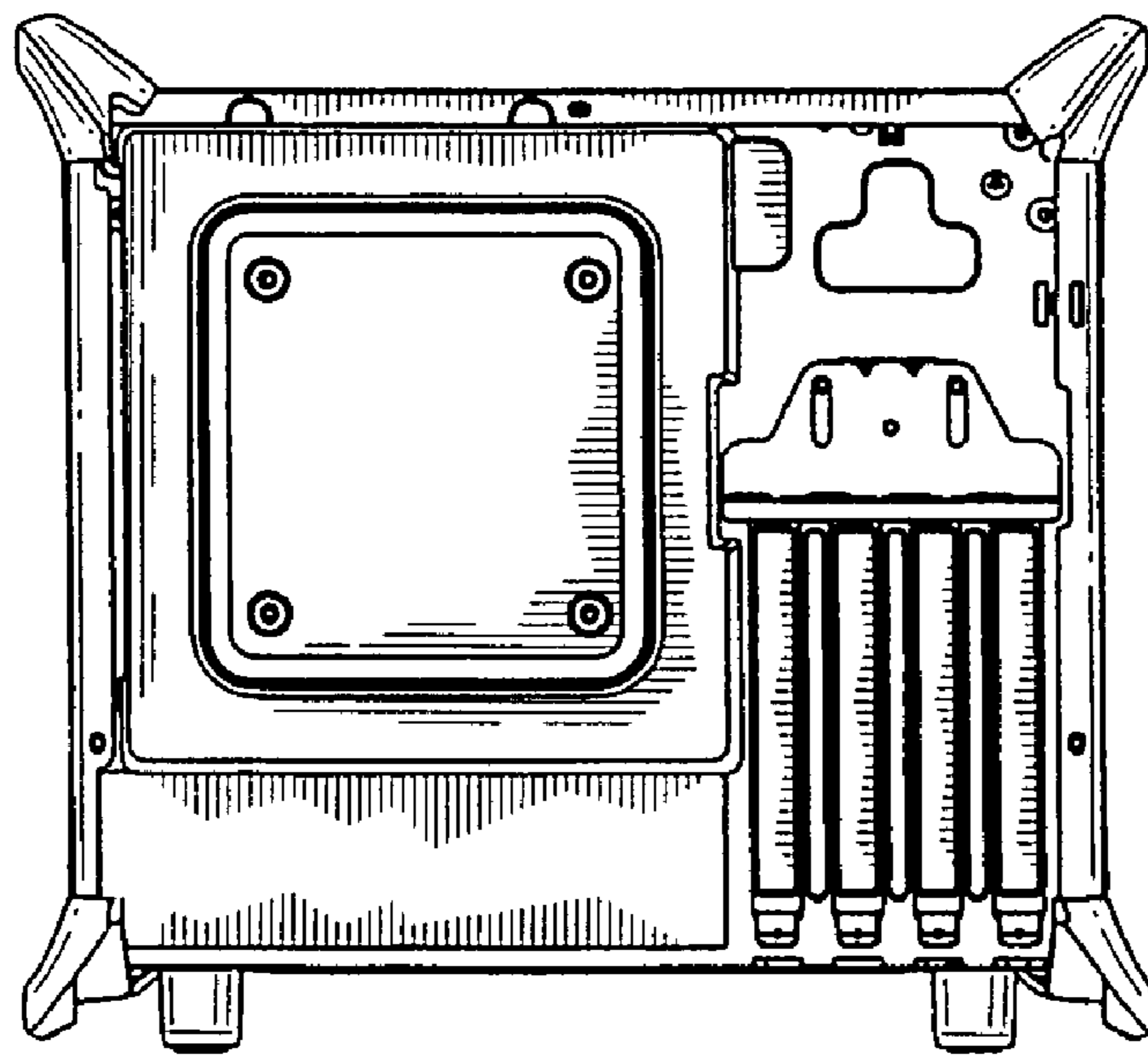


FIG. 3

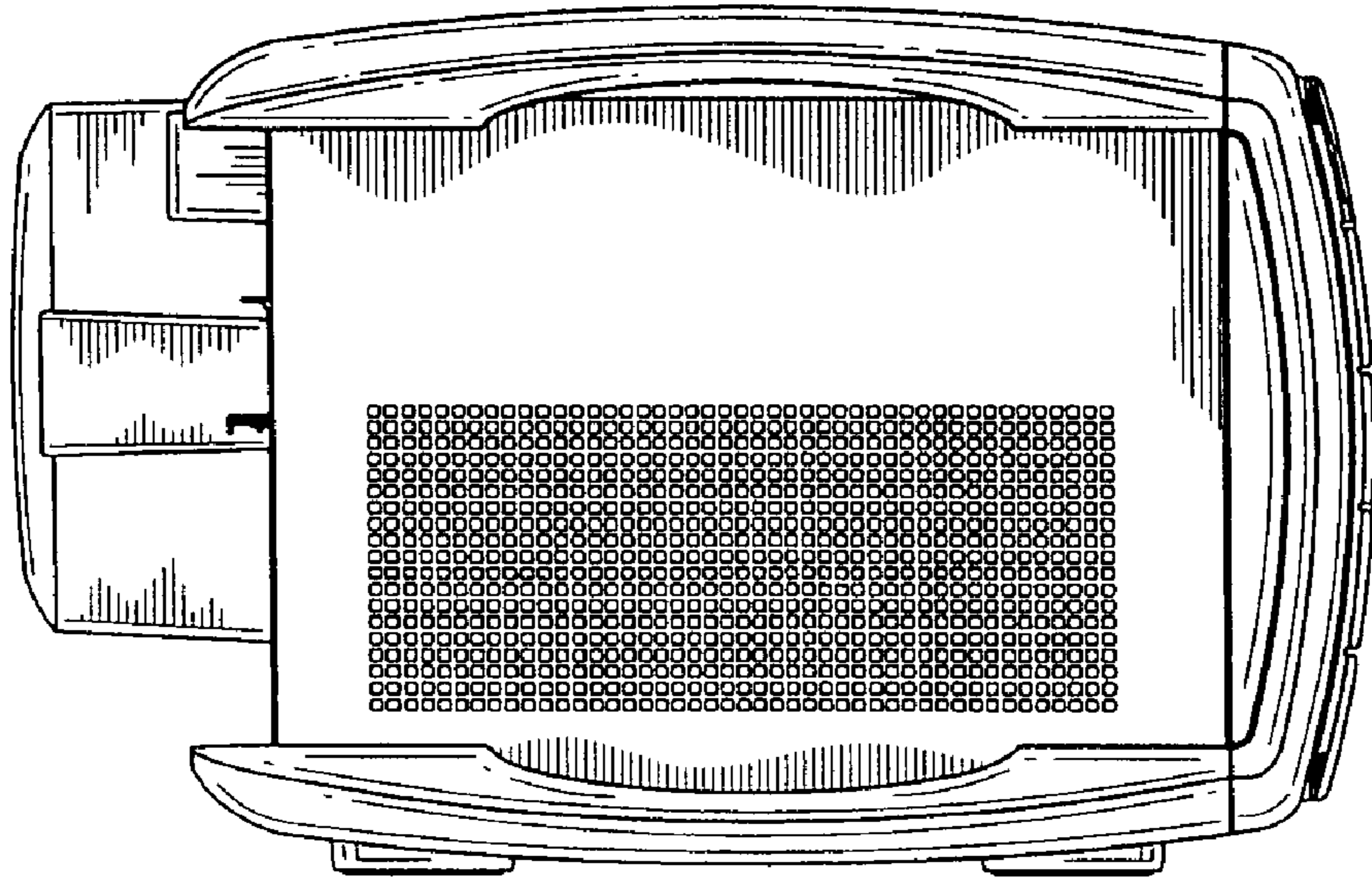


FIG. 4

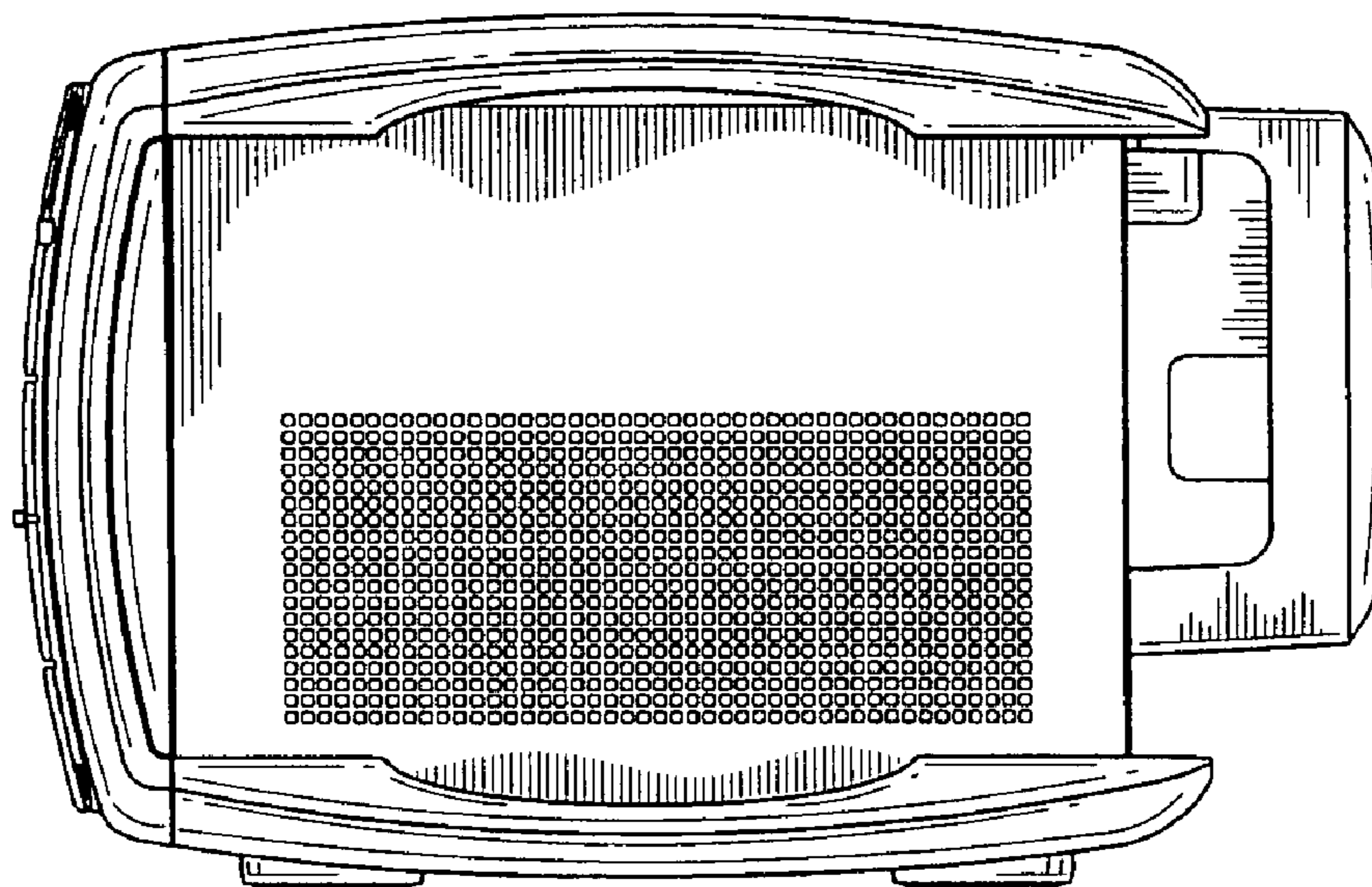


FIG. 5

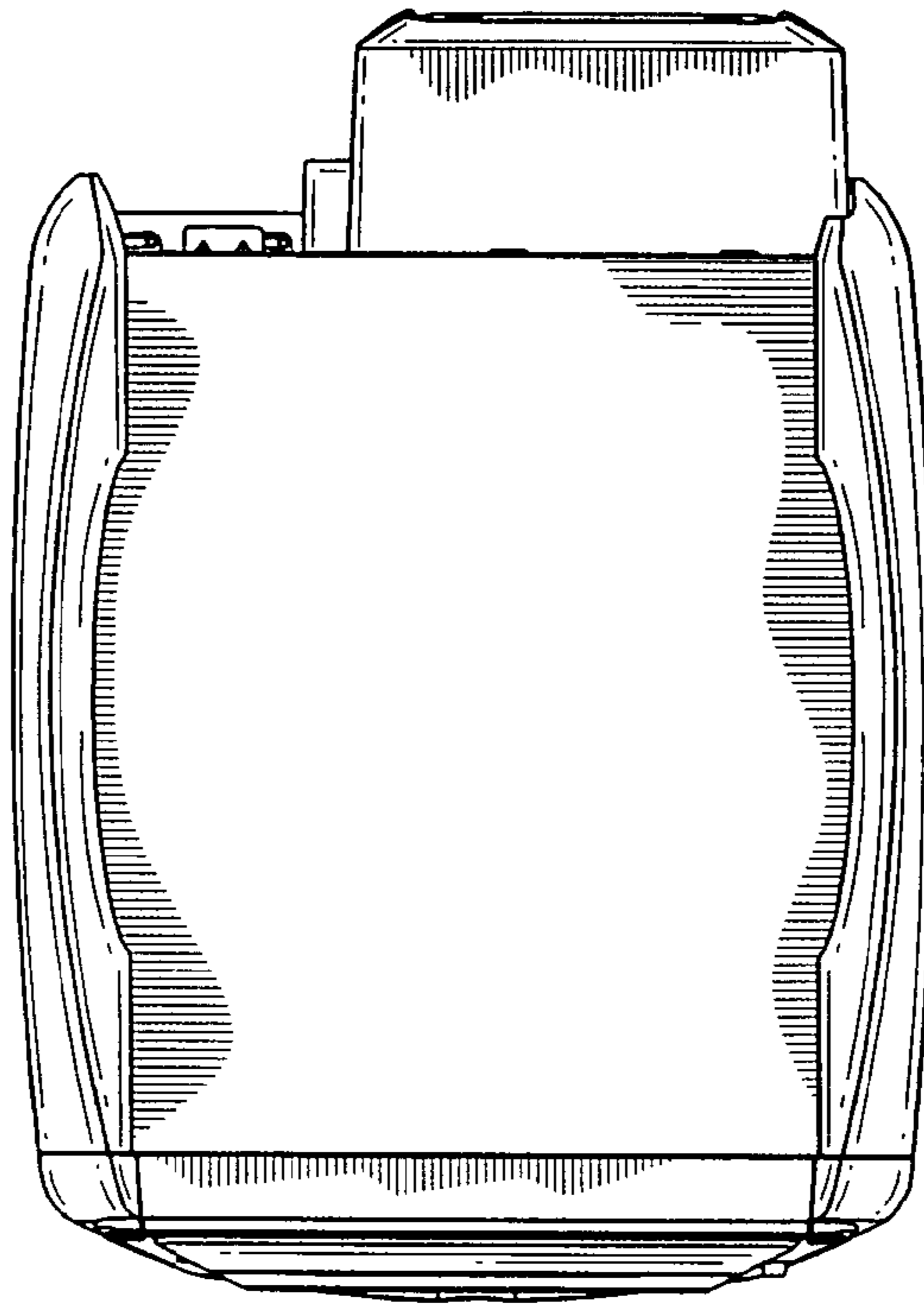


FIG. 6

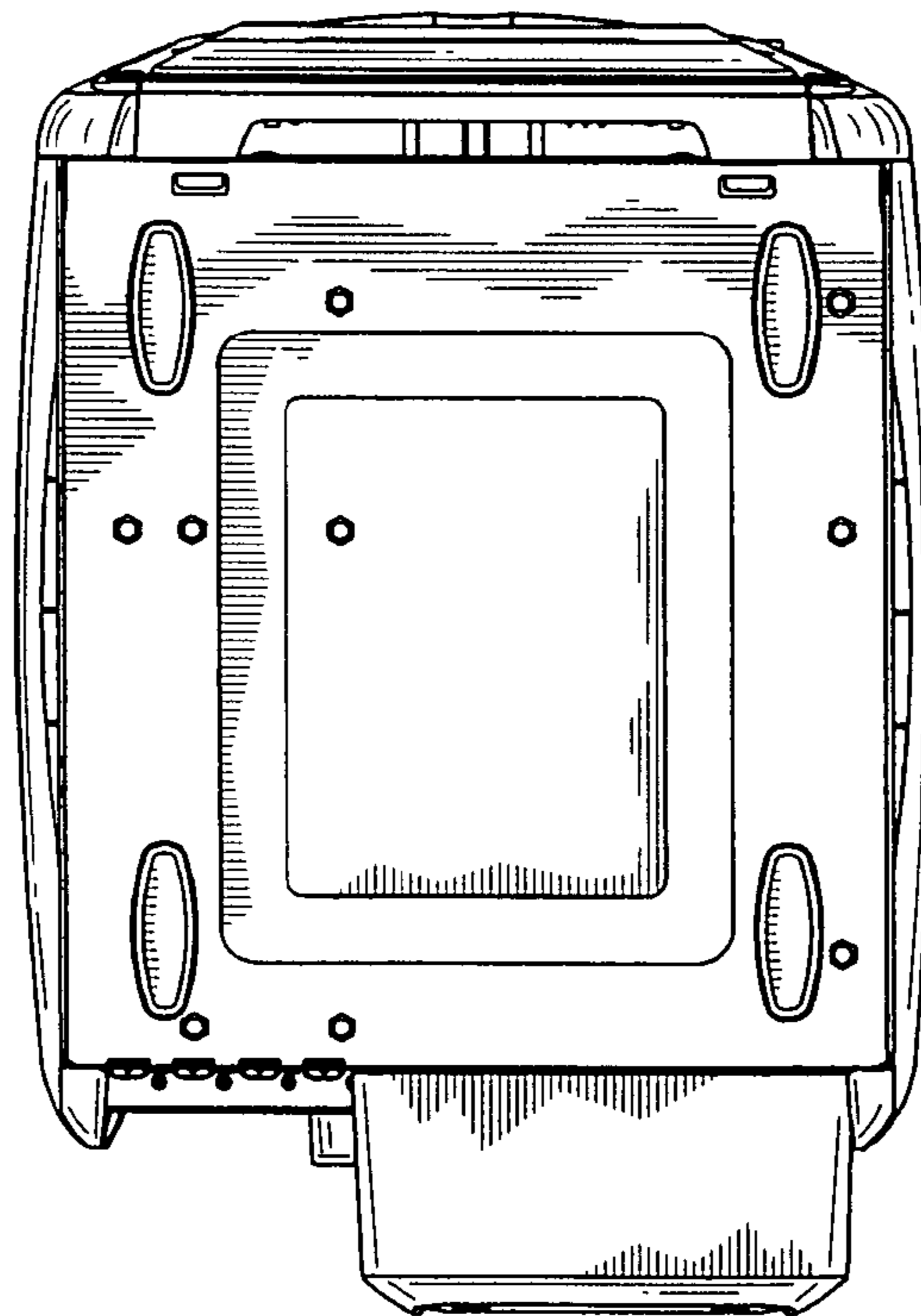


FIG. 7