



US00D556738S

(12) **United States Design Patent**
Yao

(10) **Patent No.:** **US D556,738 S**

(45) **Date of Patent:** **** Dec. 4, 2007**

(54) **SPEAKER**

D320,020 S * 9/1991 Iwano D14/216
D432,118 S * 10/2000 Honnert D14/216
D504,416 S * 4/2005 Dayan D14/216

(76) Inventor: **Hongbo Yao**, 253 E. Colorado Blvd.,
Pasadena, CA (US) 91101

* cited by examiner

(**) Term: **14 Years**

Primary Examiner—Nanda Bondade
(74) *Attorney, Agent, or Firm*—Clement Cheng

(21) Appl. No.: **29/272,892**

(22) Filed: **Feb. 19, 2007**

(57) **CLAIM**

(51) **LOC (8) Cl.** **14-01**

The ornamental design for a speaker, as shown and described.

(52) **U.S. Cl.** **D14/216**

(58) **Field of Classification Search** D14/204,
D14/209–216, 219–220; 181/143–144, 147–148,
181/150, 157, 198–199, 151, 153; 381/300–302,
381/306, 333, 345, 361–364, 386–388, 332,
381/336

DESCRIPTION

See application file for complete search history.

FIG. 1 is a perspective view of the speaker showing my new design;

FIG. 2 is a front elevational view thereof;

FIG. 3 is a right side elevational view thereof; the left side elevational view is a mirror image of the right side;

FIG. 4 is a top plan view thereof; the bottom plan view is a mirror image of the top plan; and,

FIG. 5 is a rear elevational view thereof.

(56) **References Cited**

U.S. PATENT DOCUMENTS

D188,542 S * 8/1960 Levy et al. D14/216
D248,647 S * 7/1978 Nussdorfer D14/216
D250,586 S * 12/1978 Nussdorfer et al. D14/216
D289,041 S * 3/1987 Bittencourt D14/216

1 Claim, 5 Drawing Sheets

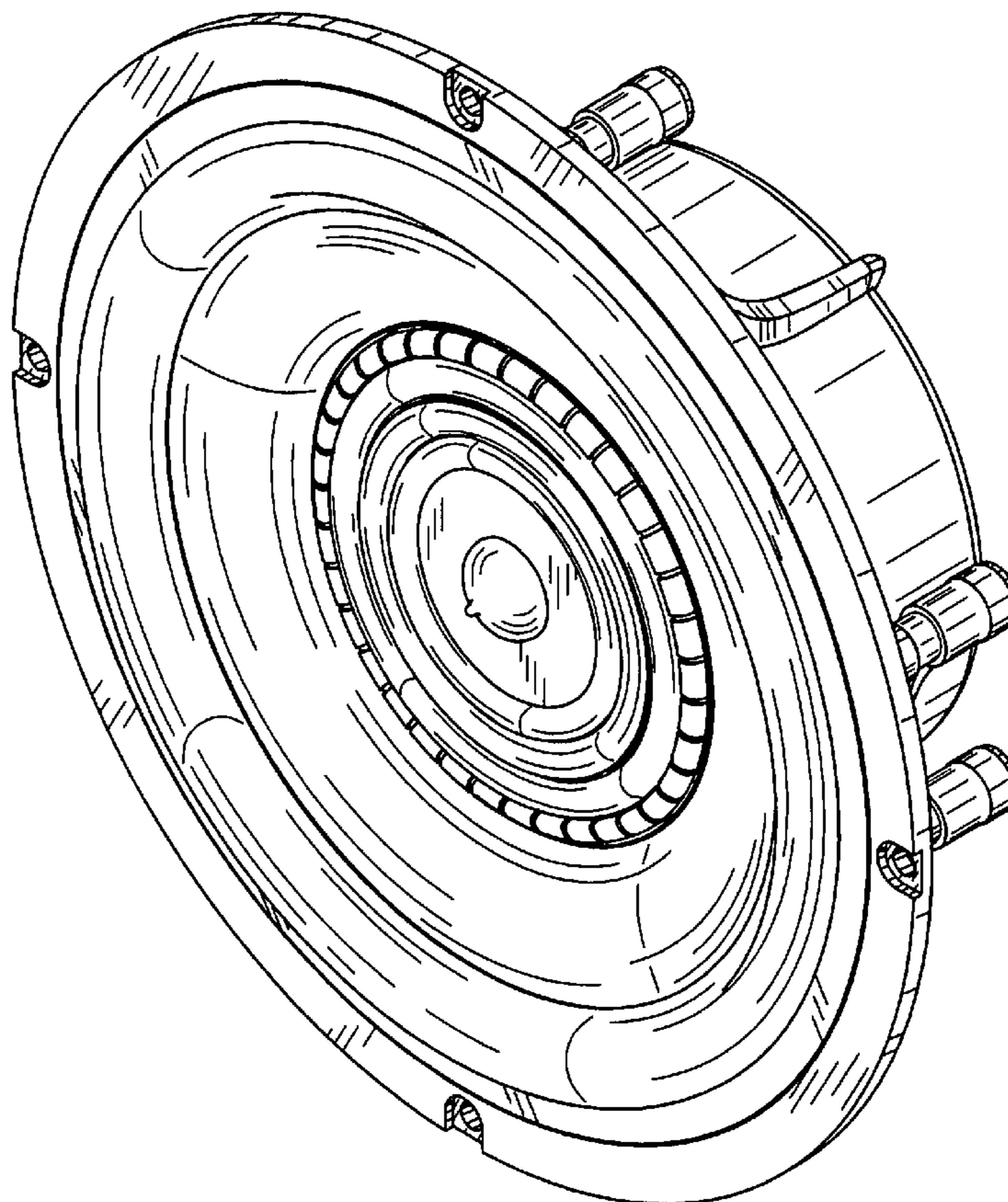


FIG. 1

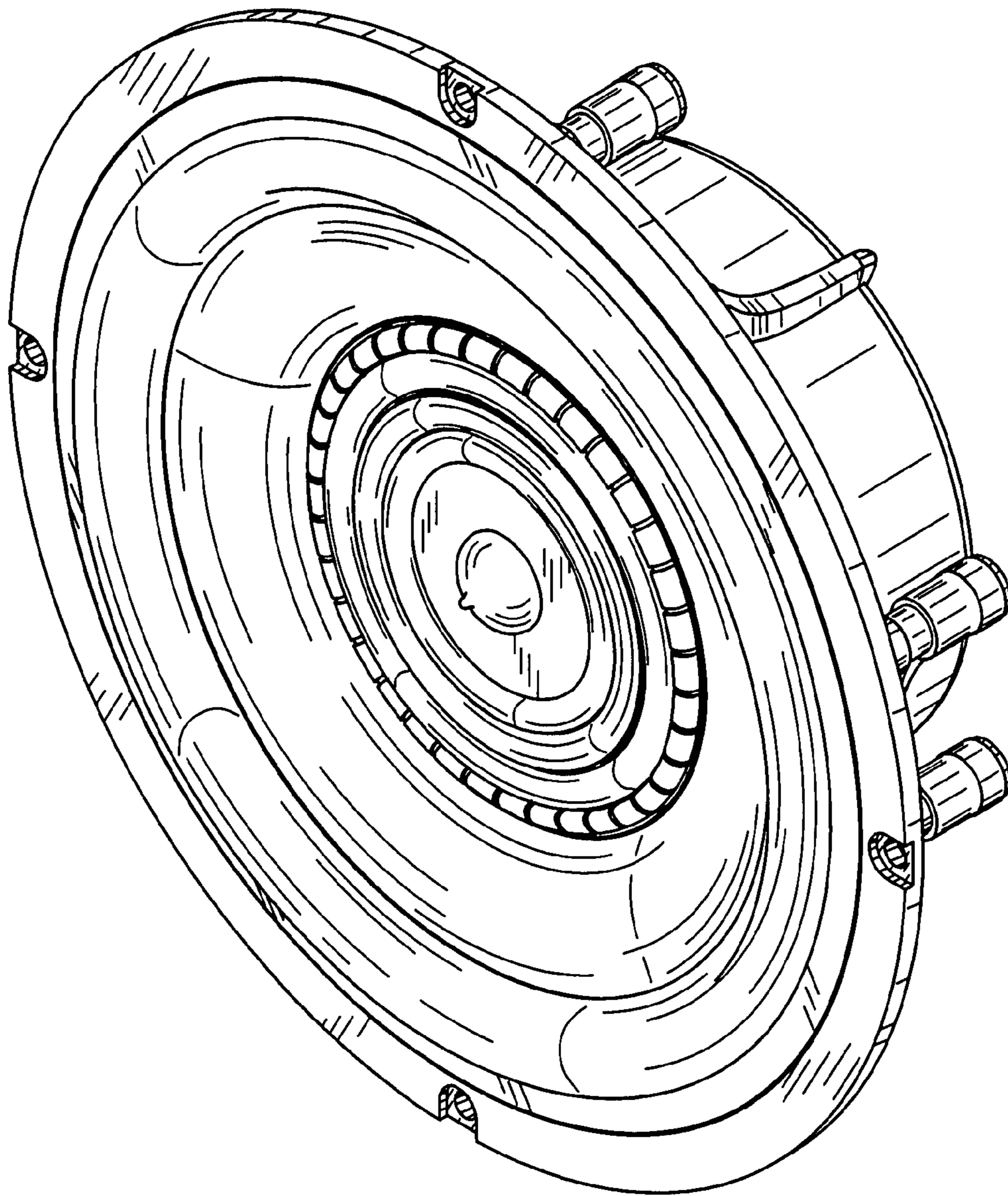


FIG. 2

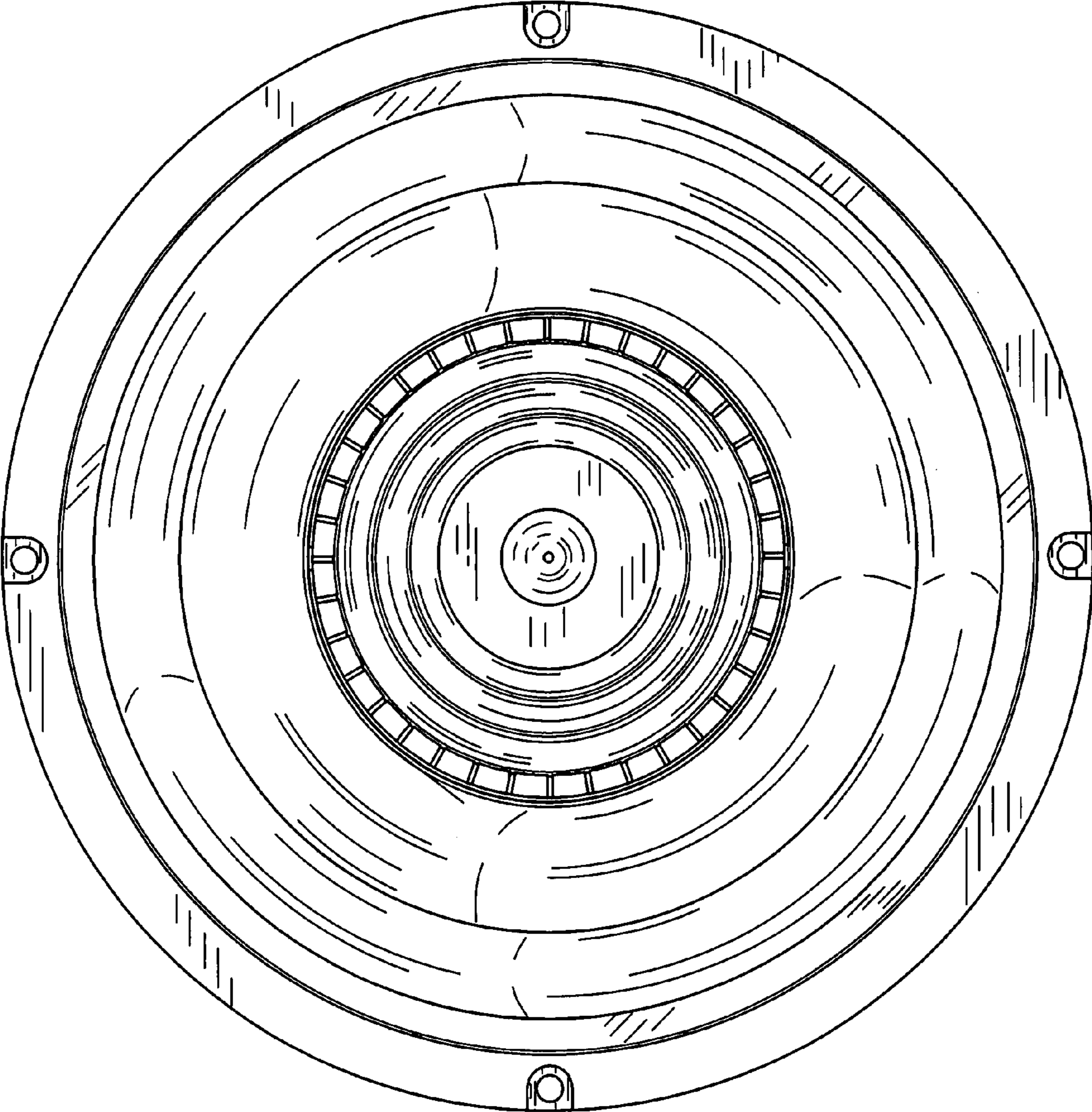


FIG. 3

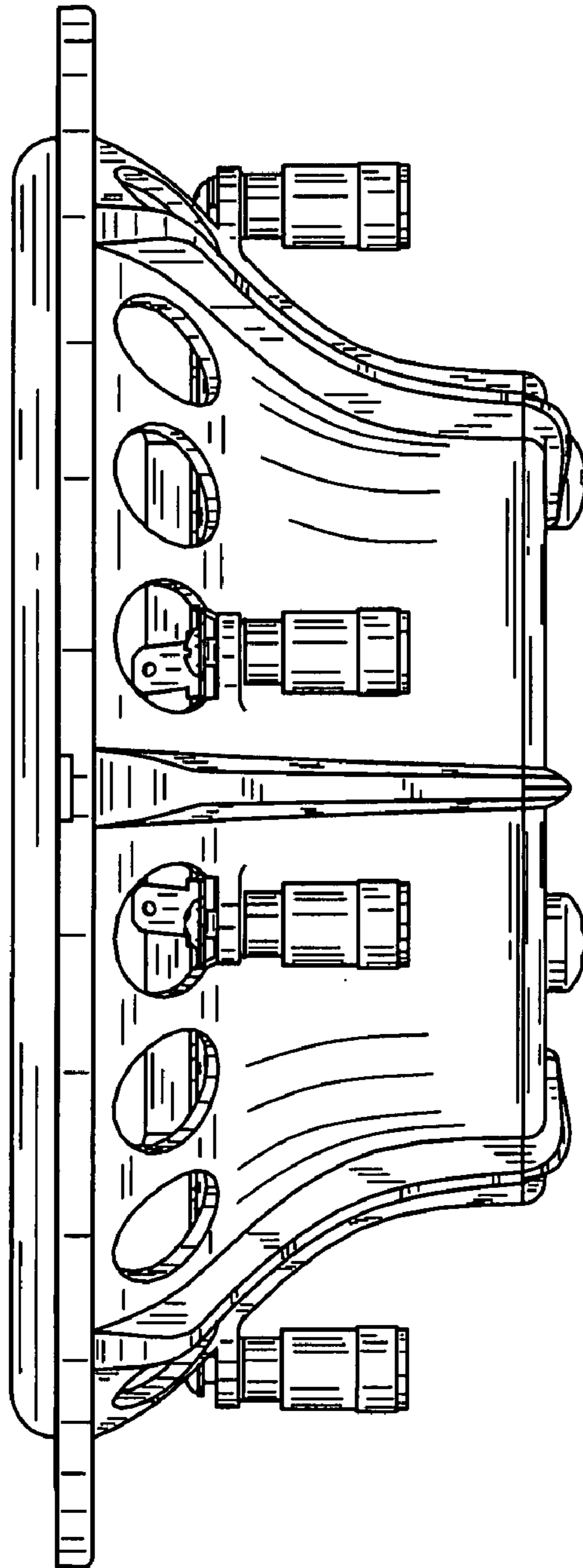


FIG. 4

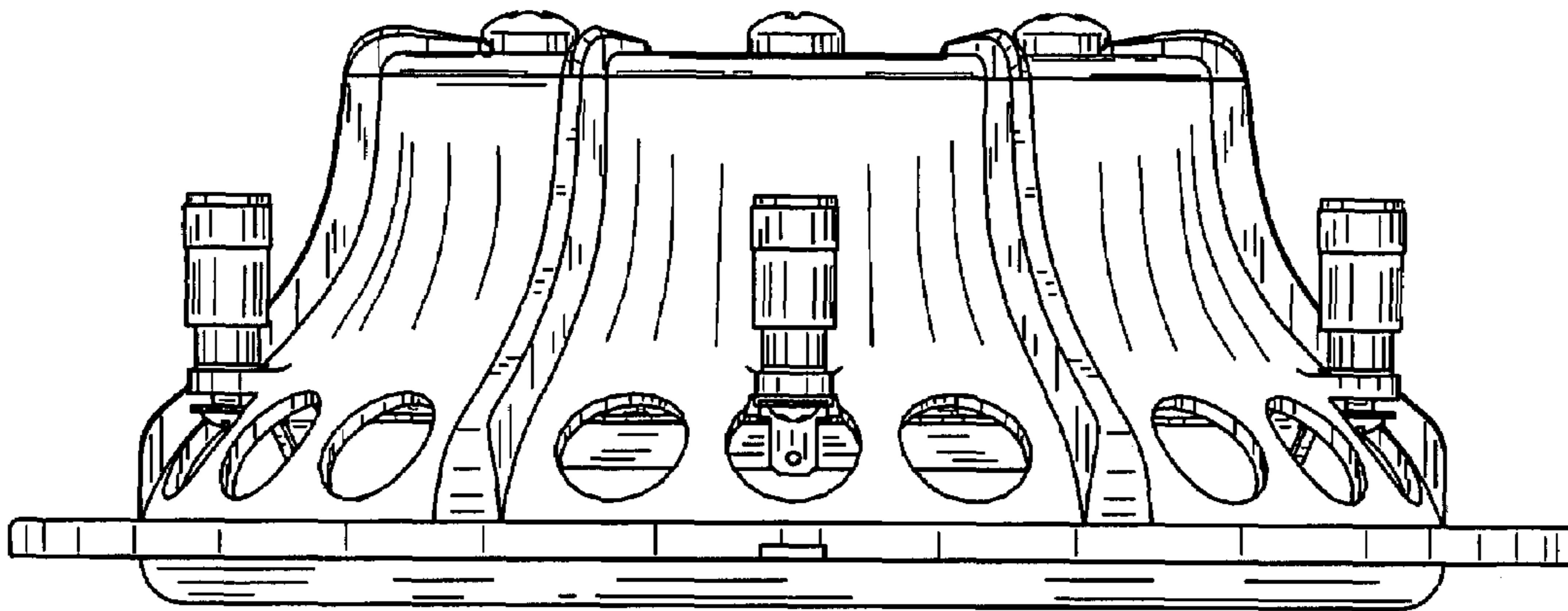


FIG. 5

