



US00D556733S

(12) **United States Design Patent**
Law

(10) **Patent No.:** **US D556,733 S**
(45) **Date of Patent:** **** Dec. 4, 2007**

(54) **COMBINED DISC PLAYER, RADIO
RECEIVER AND TAPE RECORDER**

D509,209 S * 9/2005 Hibino D14/168
D512,045 S * 11/2005 Motoishi D14/168
D516,539 S * 3/2006 Masui D14/168

(75) Inventor: **Suet Chan Law**, Singapore (SG)

FOREIGN PATENT DOCUMENTS

(73) Assignee: **Sony Corporation**, Tokyo (JP)

JP D1140995 S 5/2002
JP D1155537 S 10/2002
JP D1163620 S 1/2003
JP D1163621 S 1/2003

(**) Term: **14 Years**

(21) Appl. No.: **29/259,022**

* cited by examiner

(22) Filed: **May 2, 2006**

Primary Examiner—Nanda Bondade
(74) *Attorney, Agent, or Firm*—Rader, Fishman & Grauer
PLLC

(30) **Foreign Application Priority Data**

Dec. 21, 2005 (KR) 30-2005-0043277

(57) **CLAIM**

(51) **LOC (8) Cl.** **14-01**

The ornamental design for a combined disc player, radio receiver and tape recorder, as shown.

(52) **U.S. Cl.** **D14/168**

(58) **Field of Classification Search** D14/135–136,
D14/156, 160–165, 167–168, 192–198, 188;
360/99.02, 99.07; 369/75.11, 75.21, 77.21,
369/77.11; 720/612, 619, 647, 655; 455/344,
455/347–351

DESCRIPTION

See application file for complete search history.

FIG. 1 is a perspective view of a combined disc player, radio receiver and tape recorder showing my new design;

FIG. 2 is a front elevational view thereof;

FIG. 3 is a rear elevational view thereof;

FIG. 4 is a left side elevational view thereof;

FIG. 5 is a right side elevational view thereof;

FIG. 6 is a top plan view thereof; and,

FIG. 7 is a bottom plan view thereof.

(56) **References Cited**

U.S. PATENT DOCUMENTS

D423,500 S 4/2000 Miyazaki
D443,868 S * 6/2001 Ito et al. D14/168
D452,852 S 1/2002 Hyogo et al.
D467,569 S 12/2002 Kobayashi
D473,206 S 4/2003 Sasago et al.

1 Claim, 7 Drawing Sheets

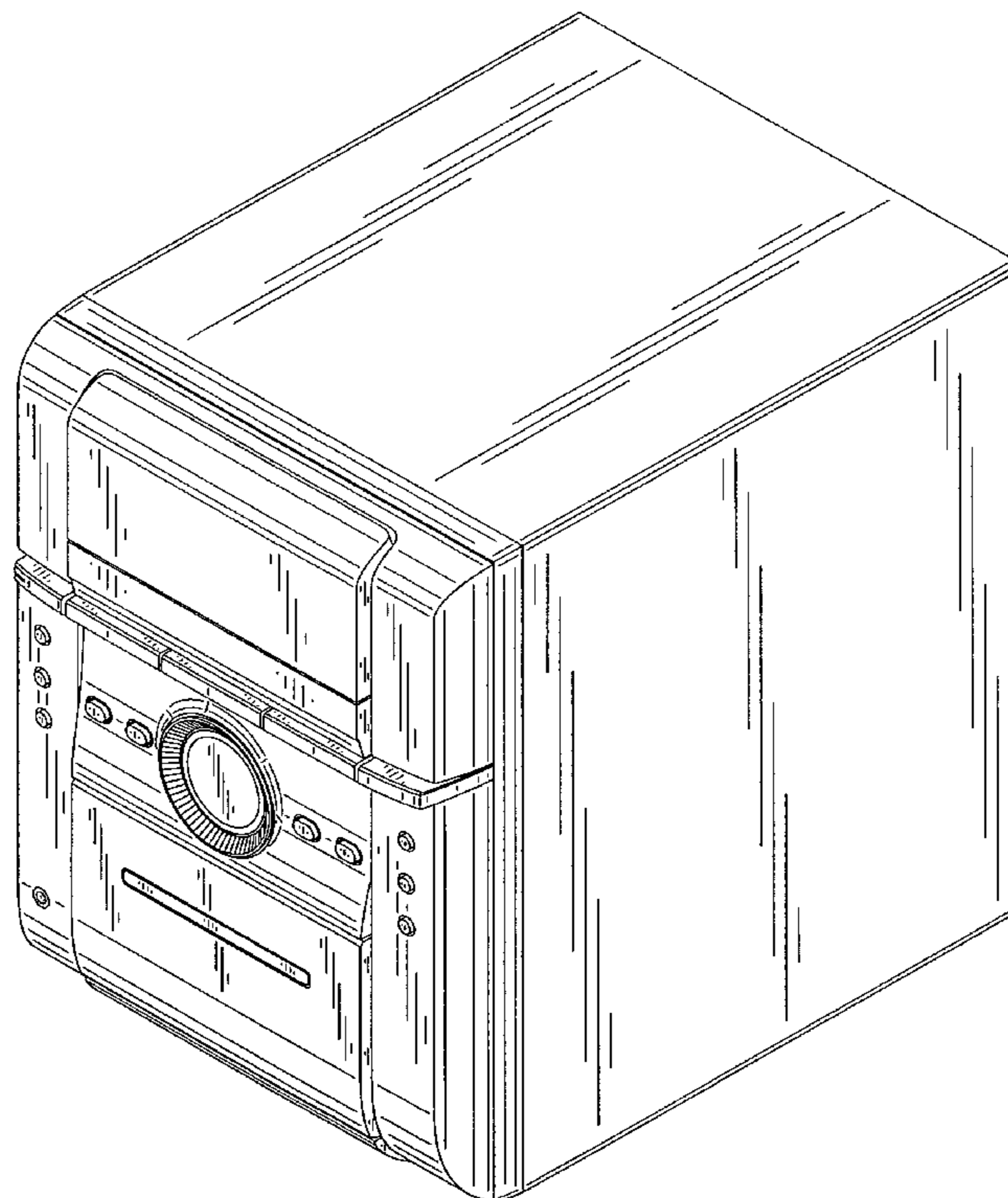


Fig. 1

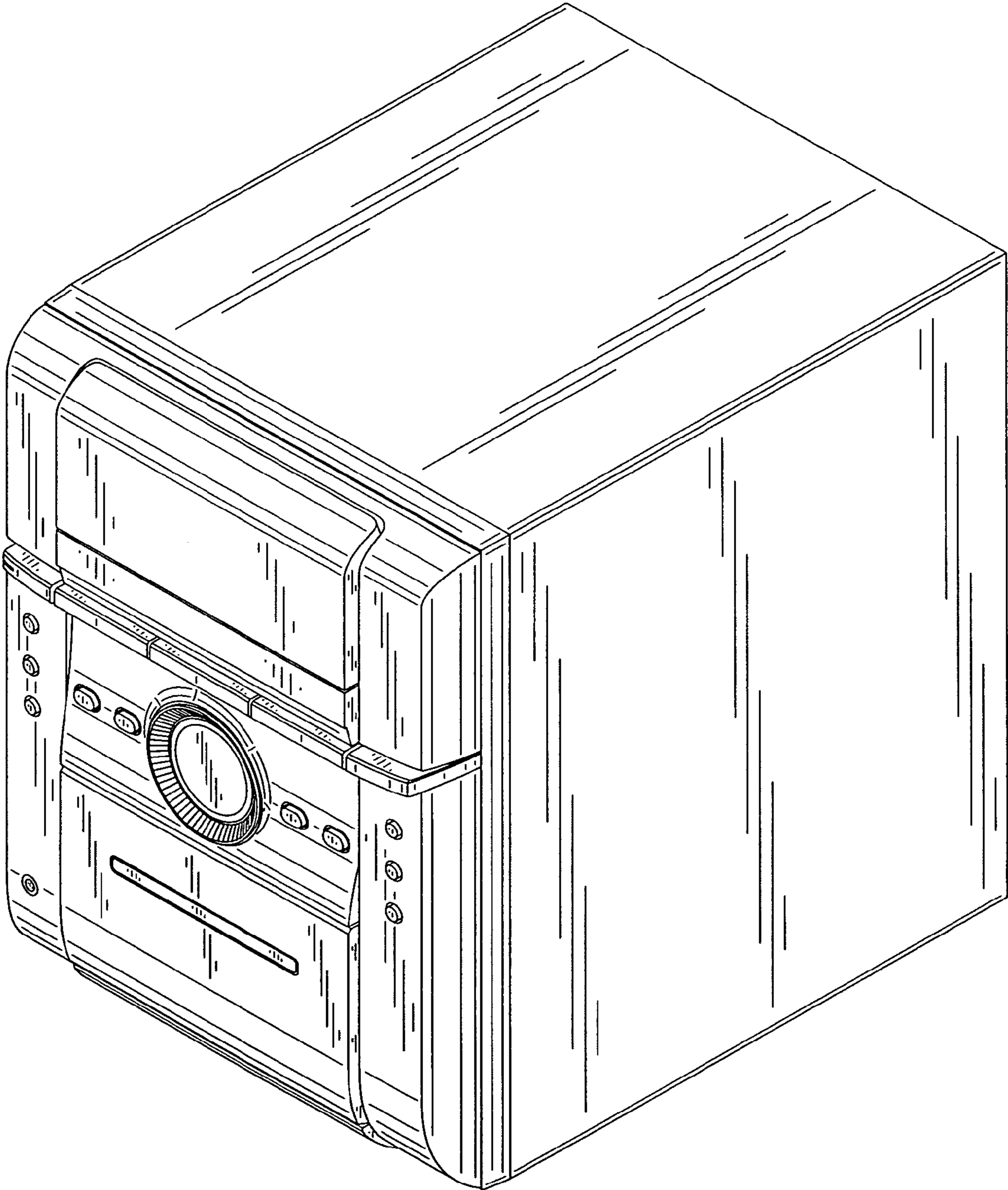


Fig.2

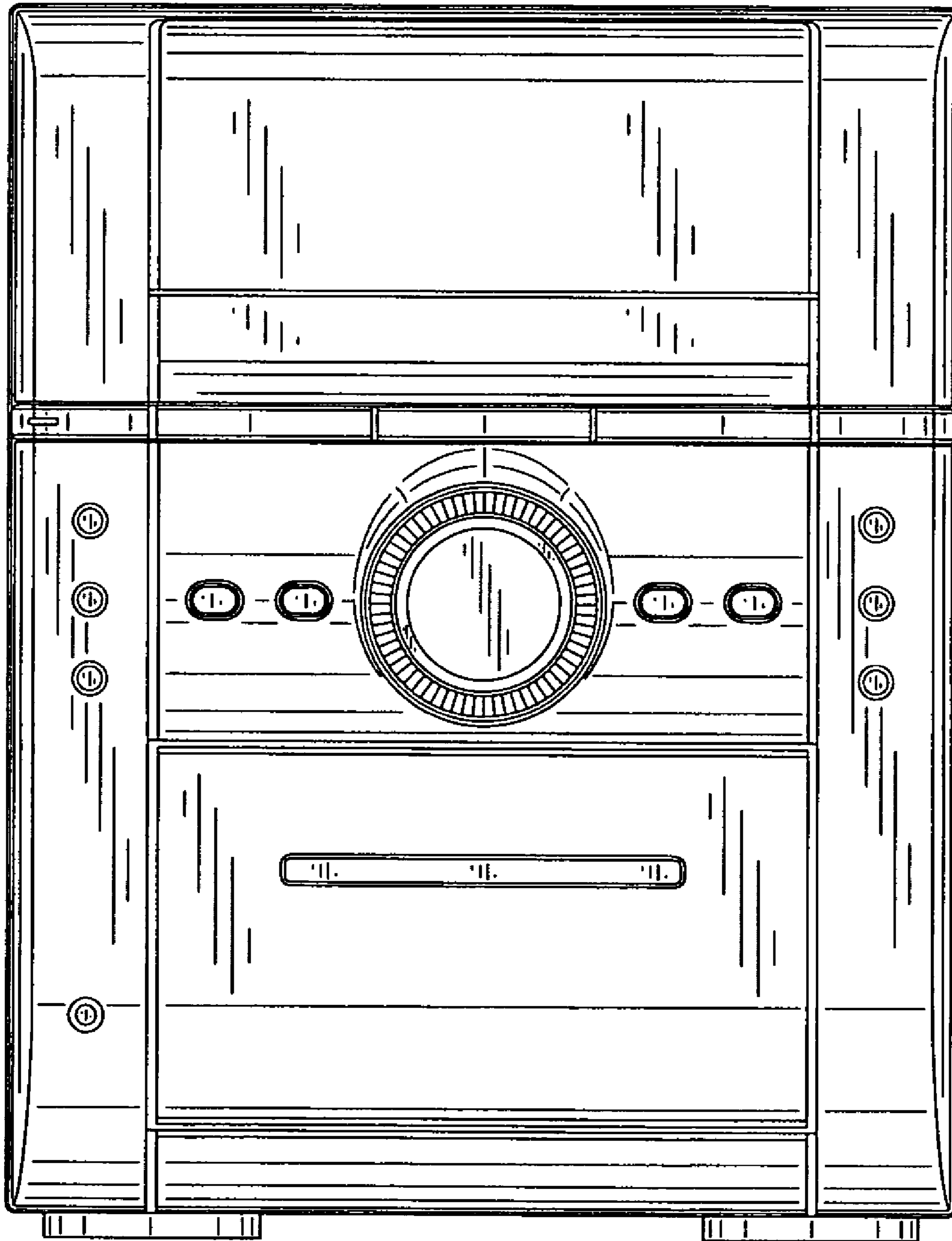


Fig.3

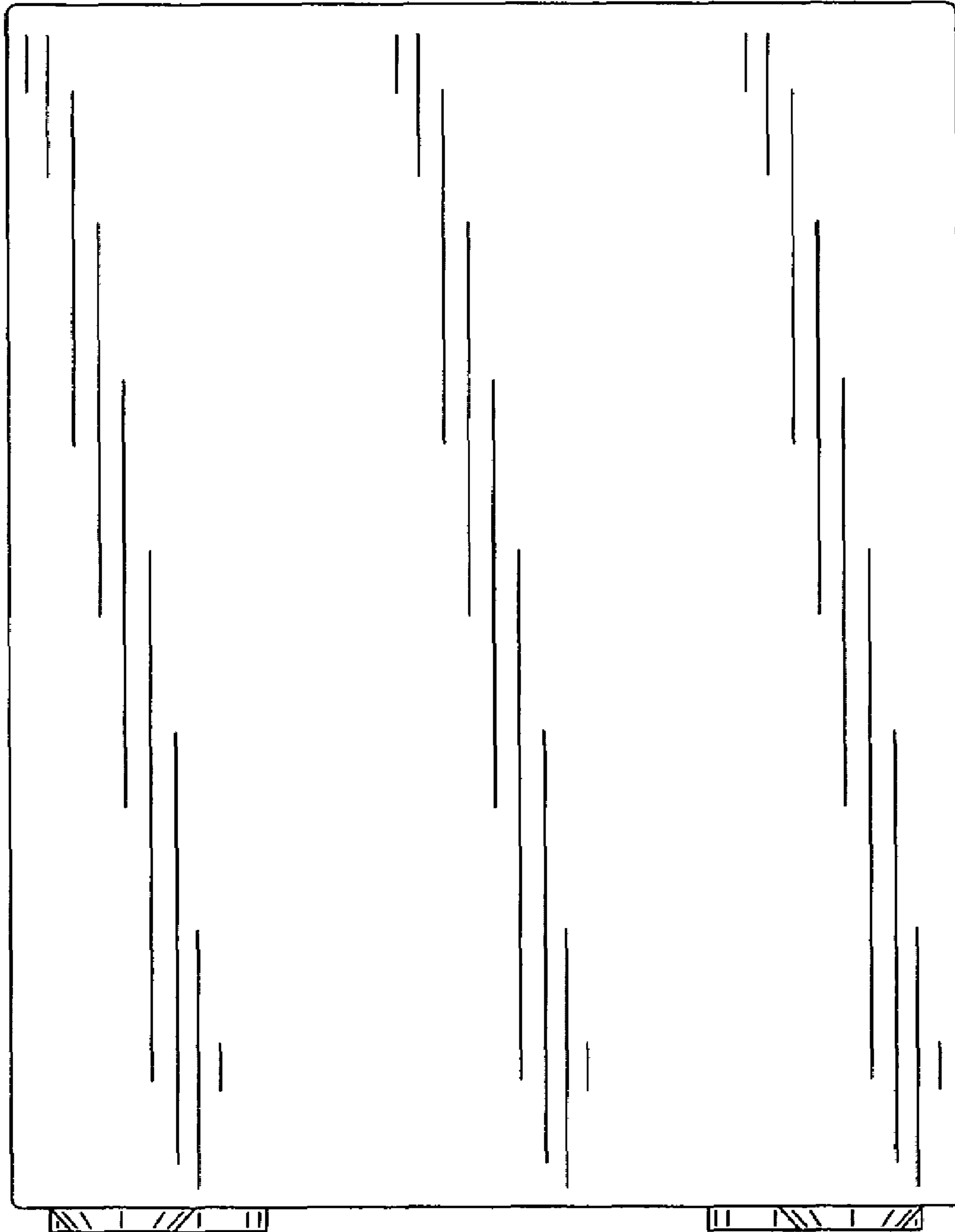


Fig.4

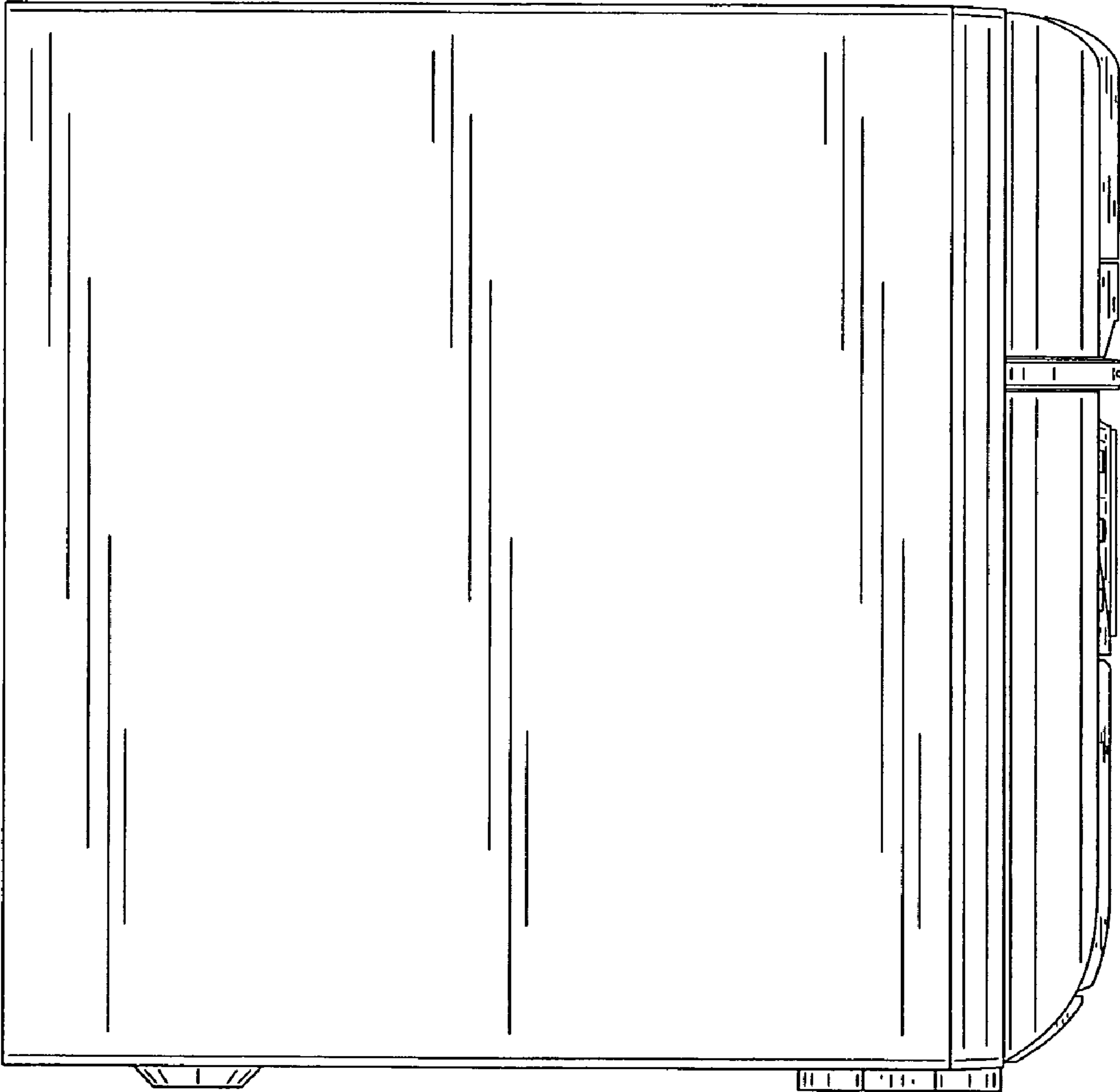


Fig.5

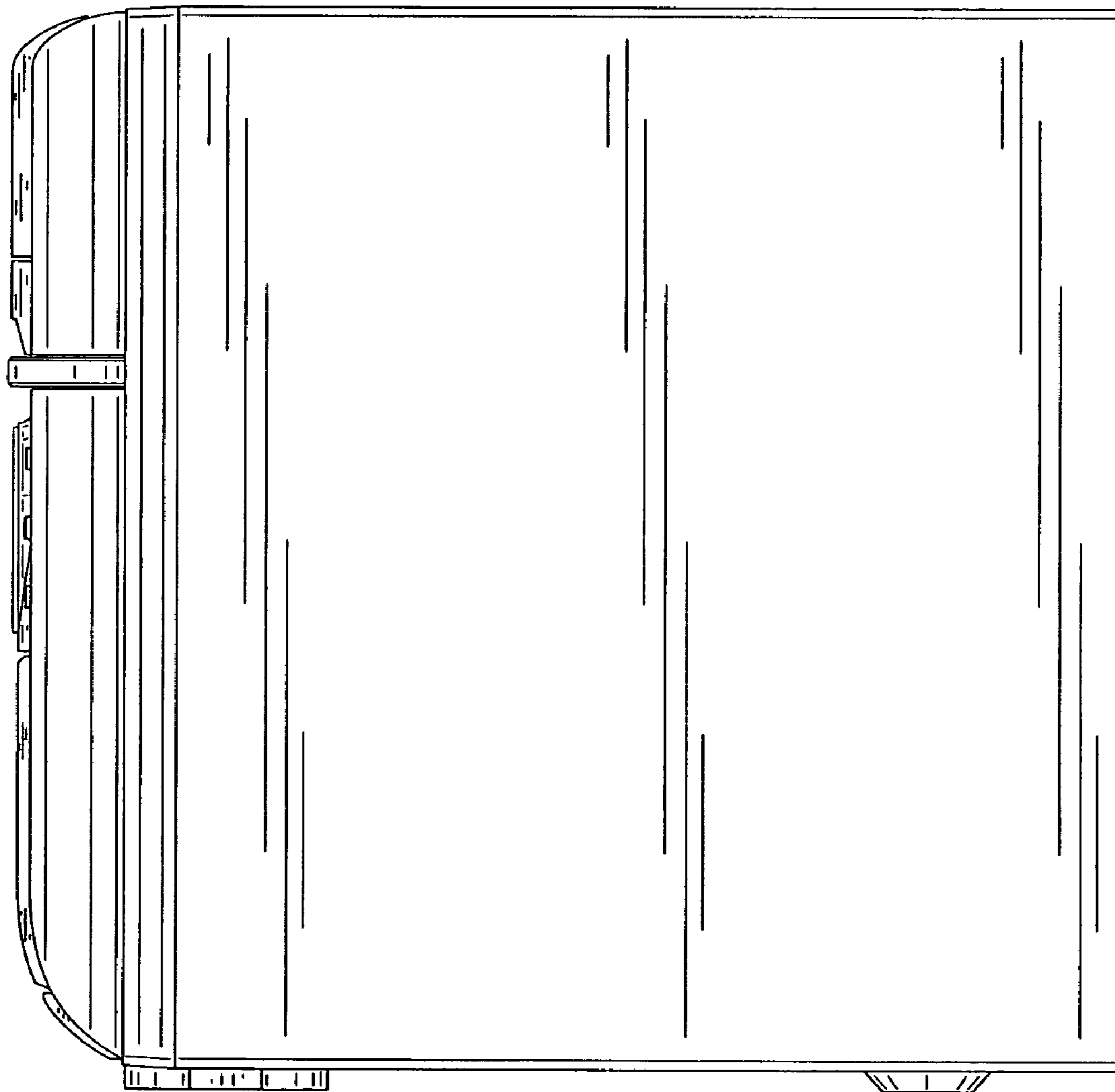


Fig.6

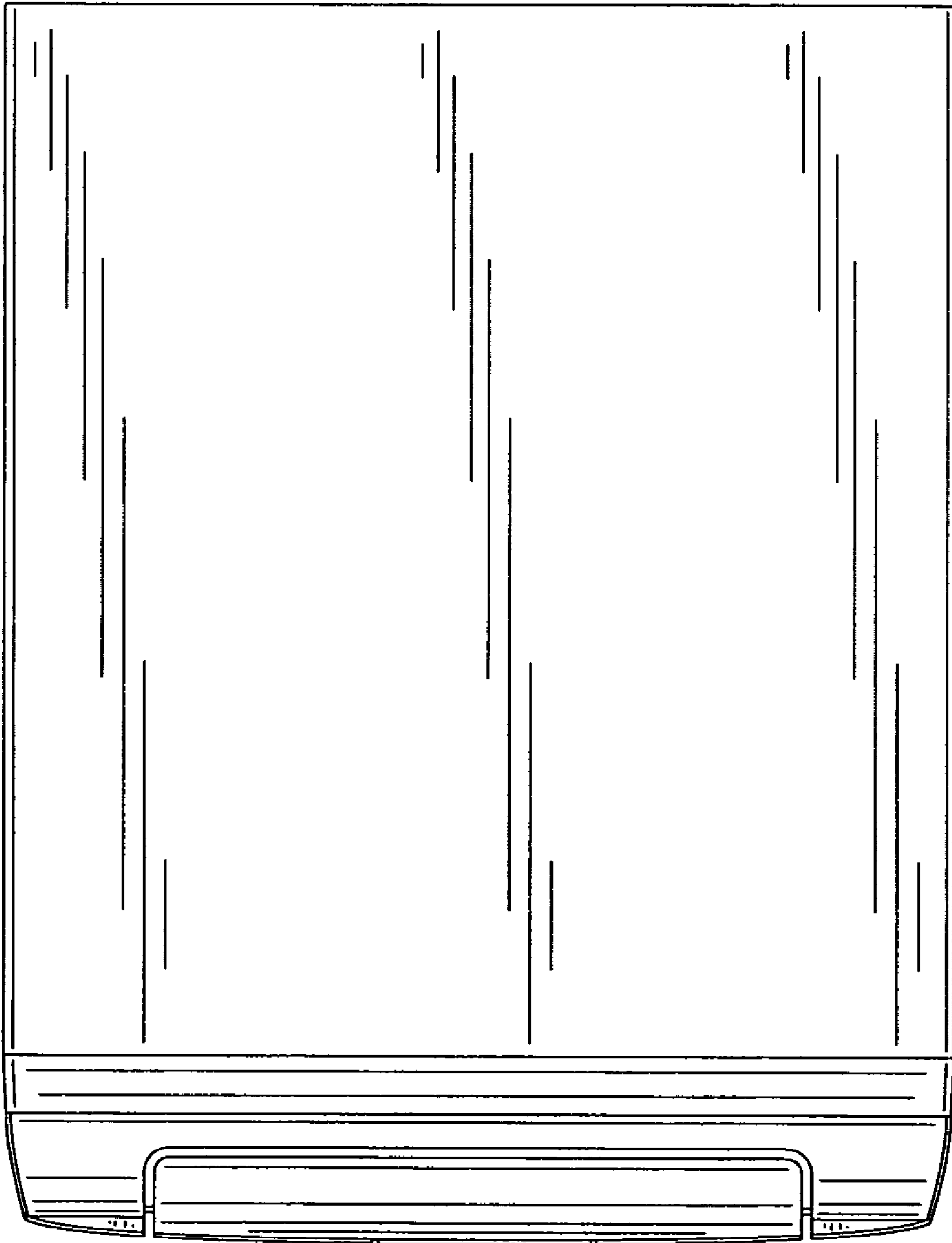


Fig.7

