



US00D556730S

(12) **United States Design Patent** (10) **Patent No.:** **US D556,730 S**
Yokoyama (45) **Date of Patent:** **** Dec. 4, 2007**

(54) **TRANSMITTER**

D521,486 S 5/2006 Yokoyama
D528,077 S * 9/2006 Yuen D13/144

(75) Inventor: **Hiroaki Yokoyama**, Tokyo (JP)

OTHER PUBLICATIONS

(73) Assignee: **Sony Corporation**, Tokyo (JP)

Web page "DCCFMT1" <http://www.sonystyle.ca/commerce/servlet/ProductDetailDisplay?storeId=10001&catalogId=1000> . . . , 1 sheet, Sony (May 2006).

(**) Term: **14 Years**

Web page "AT-FMT7DC" <http://www.audio-technica.co.jp/products/caracc/at-fmt7dc.html>, 3 sheets, Audio-Technica (May 2006).

(21) Appl. No.: **29/264,290**

Web page "F8V705qeAPL" <http://www.belkin.com/jp/catalog/apple/f8v7058qc.htm>, 2 sheets, BELKIN (May 2006).

(22) Filed: **Aug. 8, 2006**

* cited by examiner

(30) **Foreign Application Priority Data**

May 31, 2006 (JP) 2006-013811

Primary Examiner—Cathron C. Brooks

Assistant Examiner—Austin Murphy

(51) **LOC (8) Cl.** **14-03**

(74) *Attorney, Agent, or Firm*—Rader, Fishman & Grauer PLLC

(52) **U.S. Cl.** **D14/155**

(58) **Field of Classification Search** D14/358,
D14/299, 248, 240, 218, 191, 188, 162, 155,
D14/137, 226; D13/168, 110, 144; D10/121,
D10/104, 106; 439/668; 455/353, 351
See application file for complete search history.

(57) **CLAIM**

The ornamental design for a transmitter, as shown.

(56) **References Cited**

DESCRIPTION

U.S. PATENT DOCUMENTS

FIG. 1 is a perspective view of a transmitter showing my new design;

- D330,700 S * 11/1992 Wharton D13/158
- D330,885 S * 11/1992 Tattari D13/108
- D341,123 S * 11/1993 Hakanen et al. D13/108
- D347,824 S * 6/1994 Wharton D13/144
- D349,096 S * 7/1994 Hyvonen D13/107
- D359,269 S * 6/1995 Wharton D13/144
- D398,287 S * 9/1998 Luminosu D13/144
- D504,407 S * 4/2005 Cohen et al. D14/155
- D504,408 S * 4/2005 Bey et al. D14/155
- D505,935 S * 6/2005 Bey et al. D14/155

FIG. 2 is a front elevational view thereof;

FIG. 3 is a rear elevational view thereof;

FIG. 4 is a left side elevational view thereof;

FIG. 5 is a right side elevational view thereof;

FIG. 6 is a top plan view thereof; and,

FIG. 7 is a bottom plan view thereof.

1 Claim, 7 Drawing Sheets

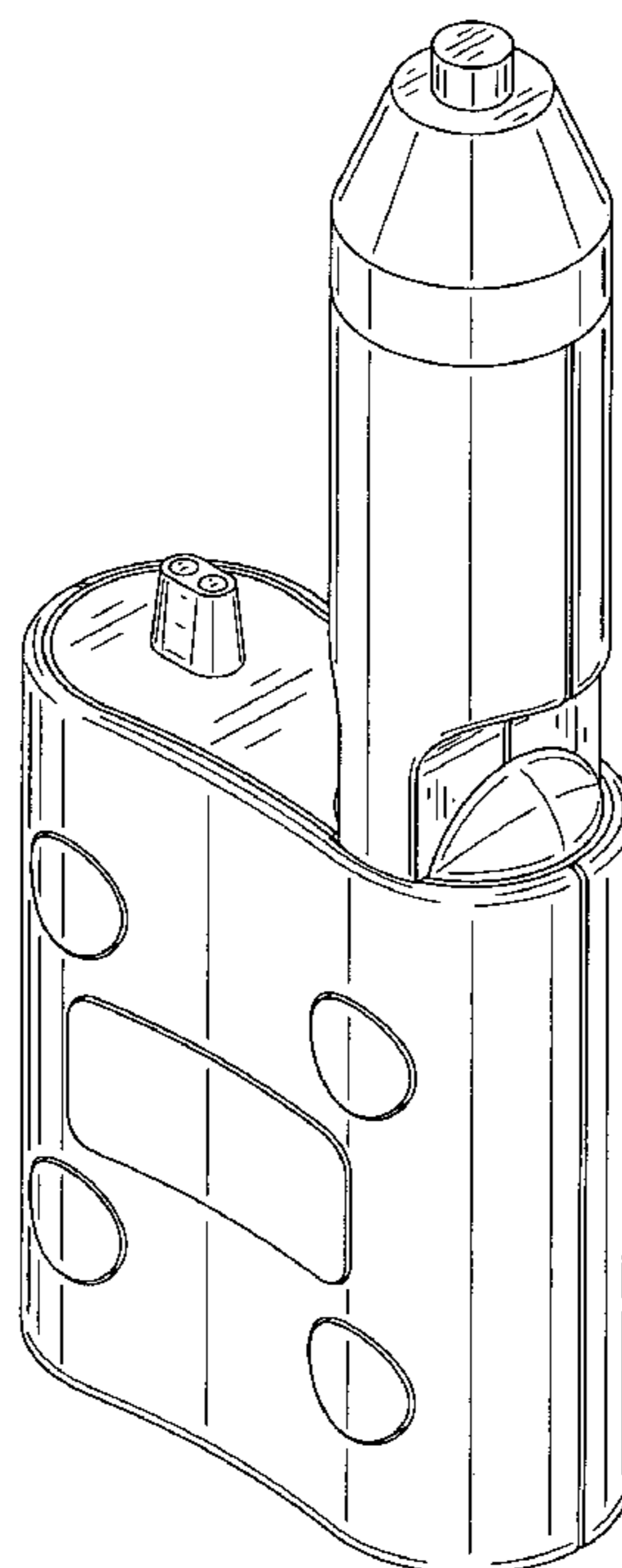


Fig. 1

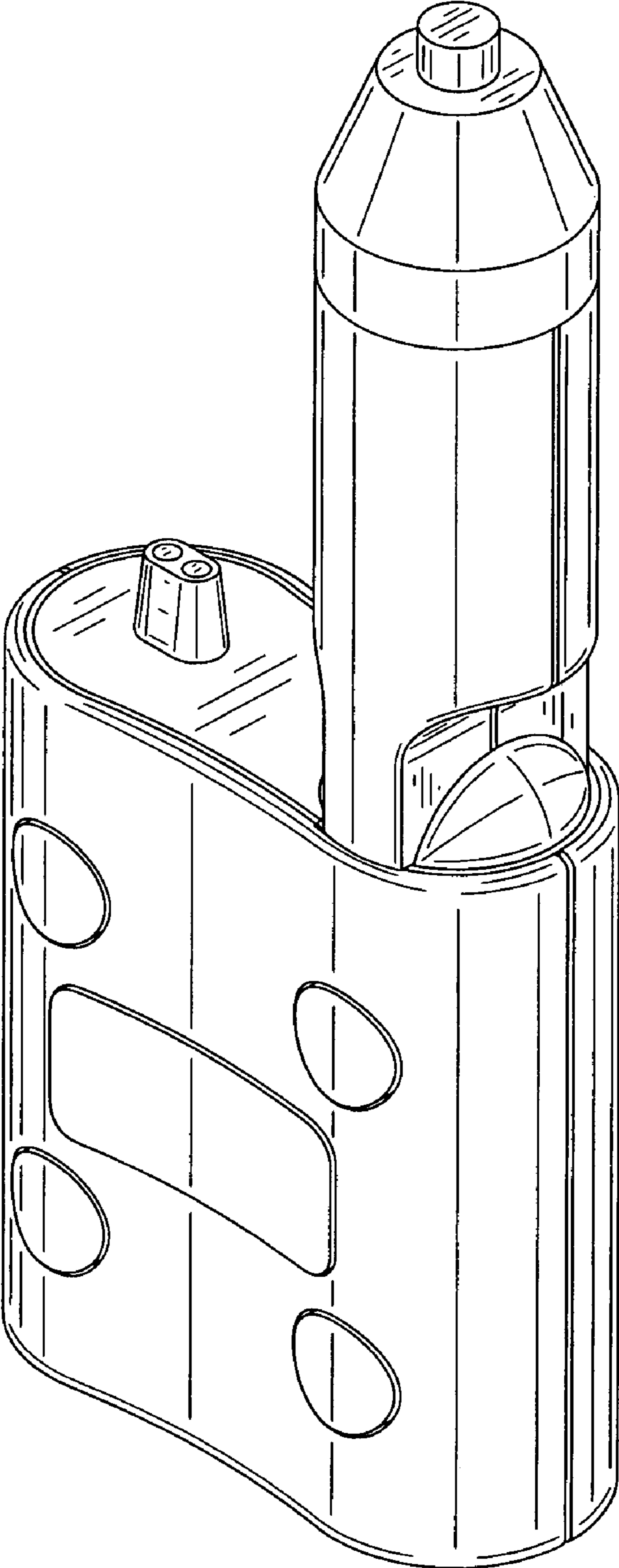


Fig.2

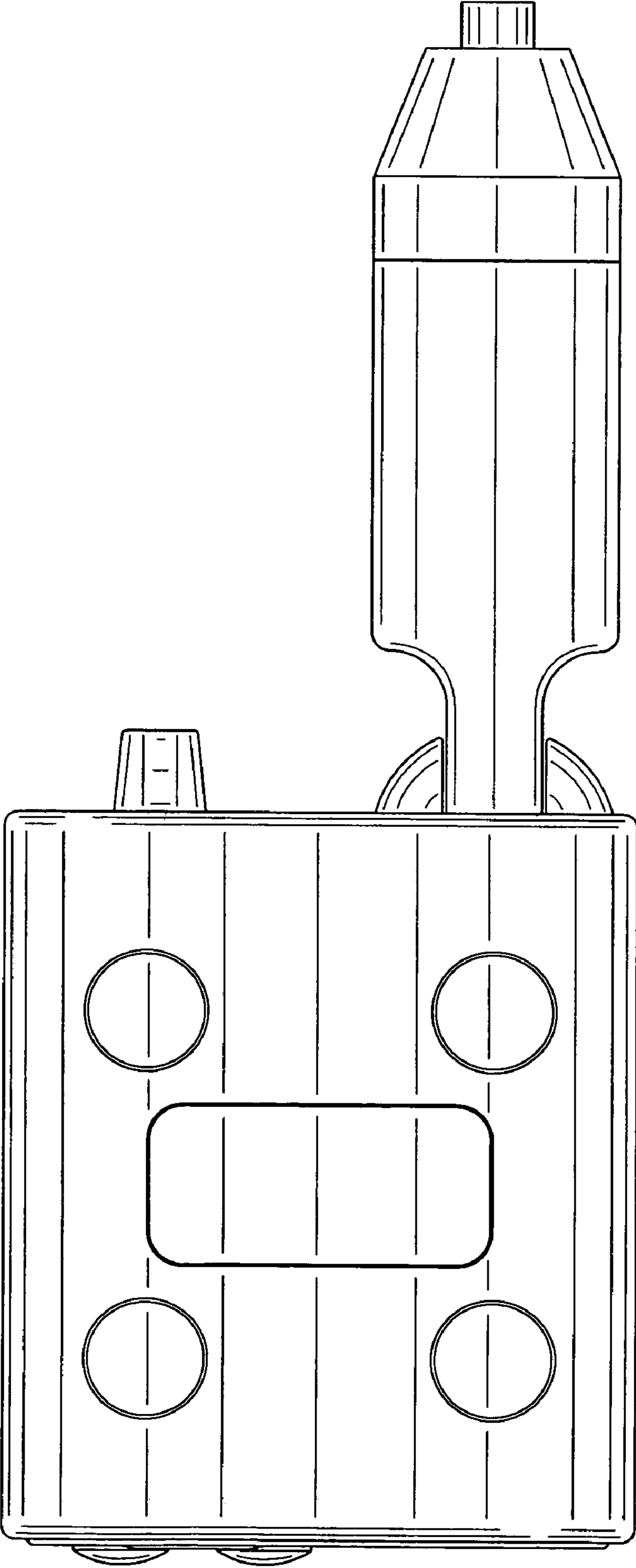


Fig. 3

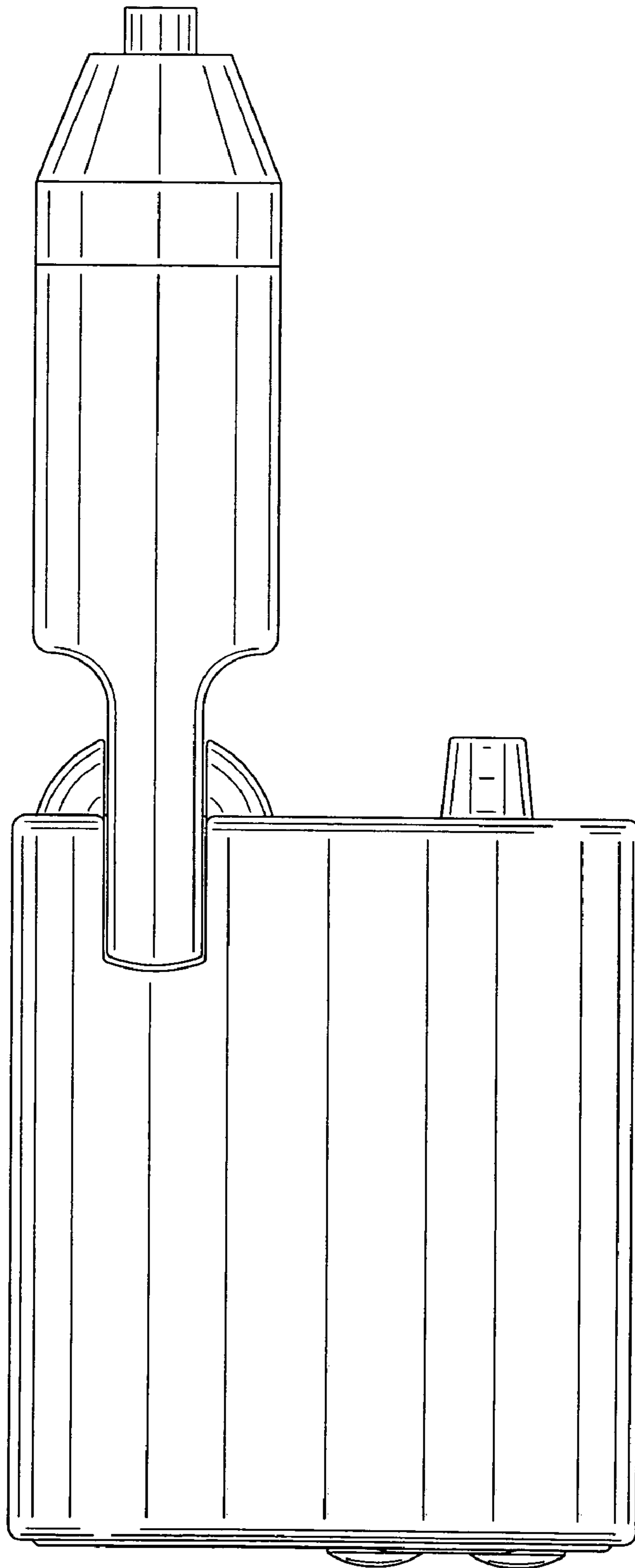


Fig.4

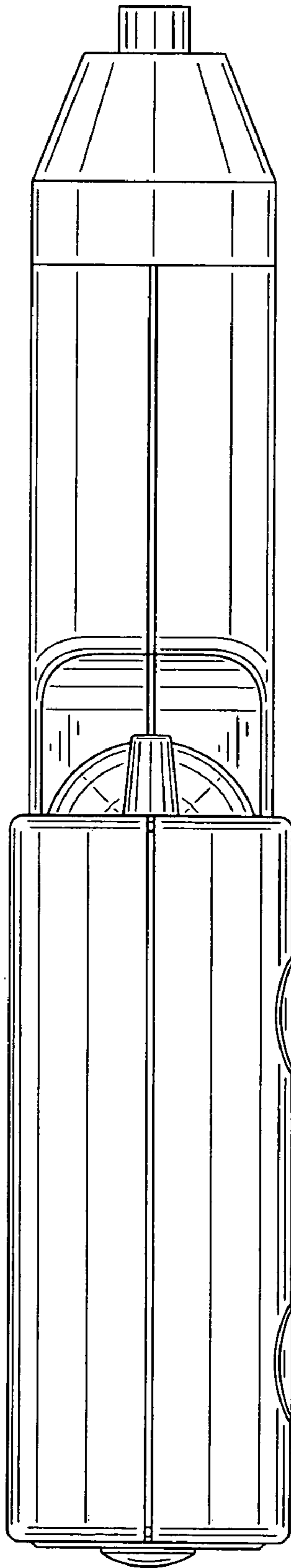


Fig.5

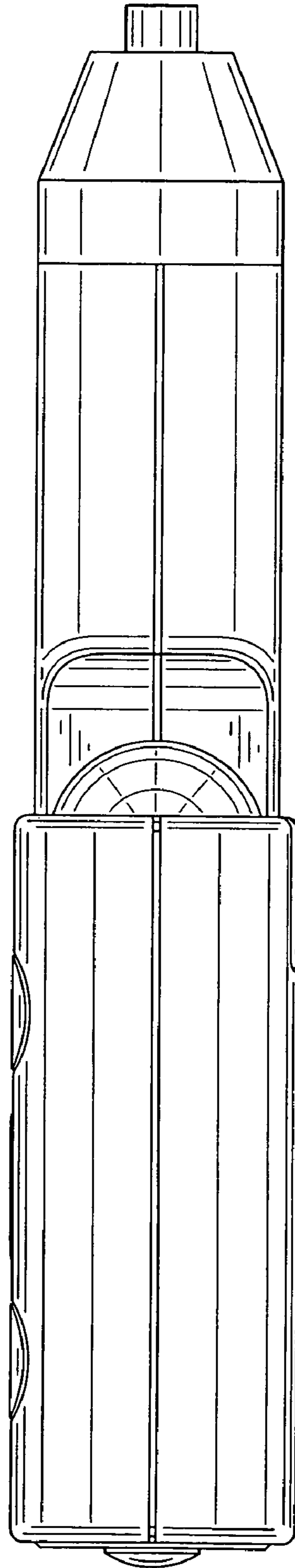


Fig.6

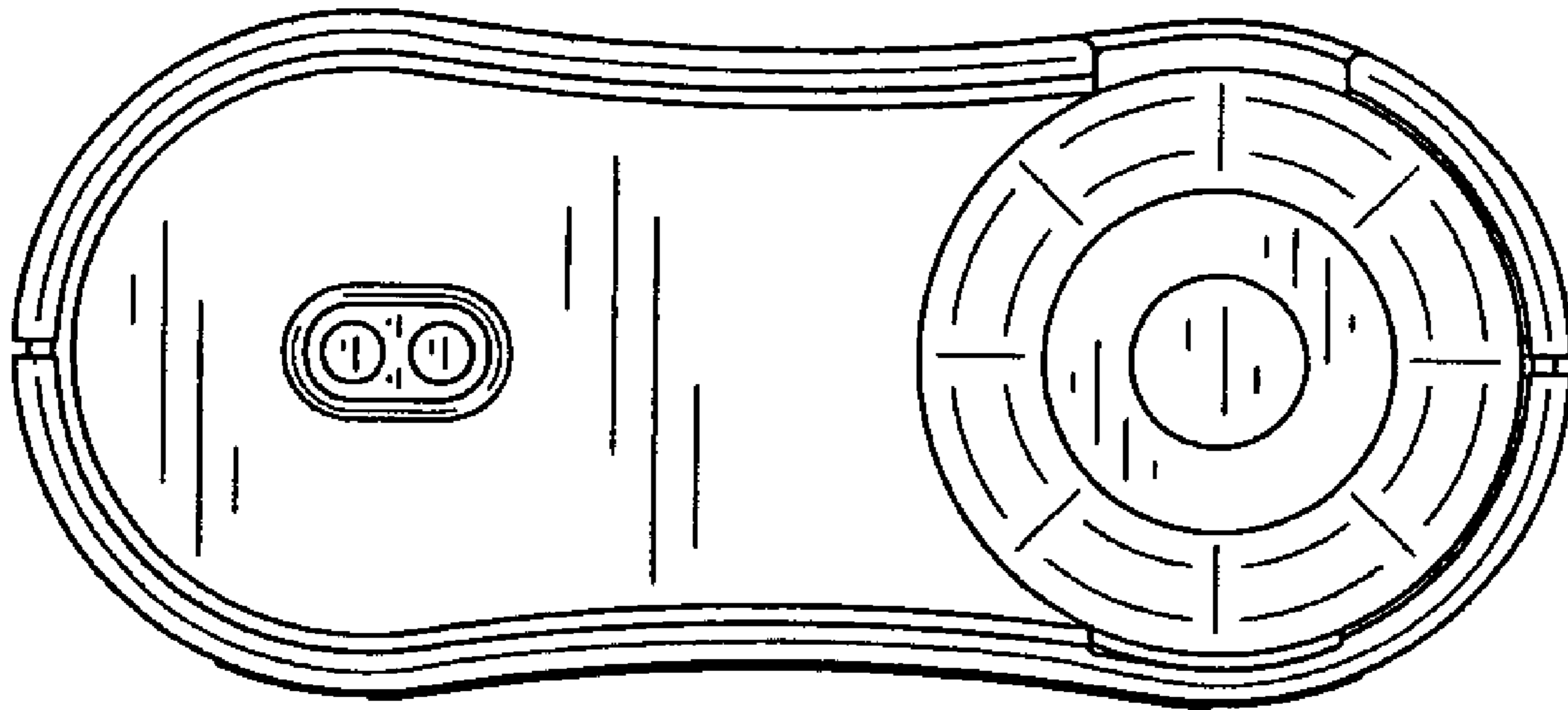


Fig.7

