

US00D556728S

(12) **United States Design Patent**
Wong

(10) **Patent No.:** **US D556,728 S**

(45) **Date of Patent:** **** Dec. 4, 2007**

(54) **TELEPHONE**

D381,981 S * 8/1997 Johansson D14/151

(75) Inventor: **Raft Wong**, Shatin (HK)

* cited by examiner

(73) Assignee: **Thomson Licensing S.A.**, Indianapolis, IN (US)

Primary Examiner—Terry A Wallace
(74) *Attorney, Agent, or Firm*—Fletcher Yoder

(**) Term: **14 Years**

(57) **CLAIM**

(21) Appl. No.: **29/234,242**

The ornamental design for a telephone, as shown and described.

(22) Filed: **Jul. 15, 2005**

DESCRIPTION

(51) **LOC (8) Cl.** **14-03**

(52) **U.S. Cl.** **D14/151**

(58) **Field of Classification Search** D14/149–151, D14/144, 130, 146, 243, 253, 329, 330; 379/202.01, 379/420.01, 420.02, 420.03, 428.01, 428.02, 379/428.03, 419, 434, 440, 436; 455/550.1–90.3
See application file for complete search history.

FIG. 1 is a front perspective view of the design for the telephone having a number of environmental features, namely, a plurality of buttons, and a display, the contour and the inclusion of these environmental features being optional with respect to the design of the telephone;

FIG. 2 is a top view of the telephone of FIG. 1, illustrating the environmental buttons and display;

FIG. 3 is a left side view of the telephone of FIG. 1; and,

FIG. 4 is a top perspective view of a base portion of the telephone of FIG. 1.

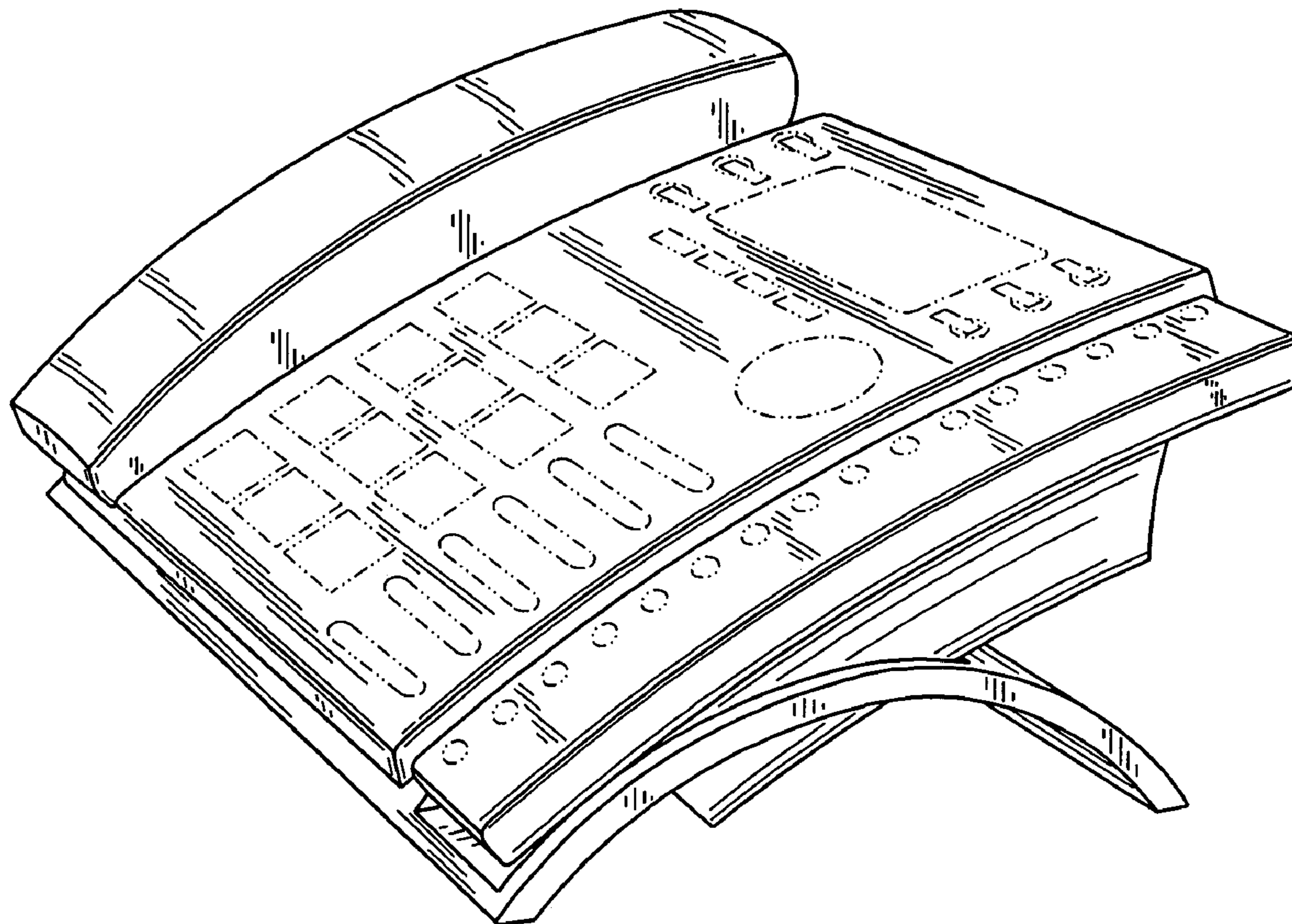
The broken lines provided in the above views are used to indicate environmental structures and form no part of the claimed design.

(56) **References Cited**

U.S. PATENT DOCUMENTS

- 4,868,875 A * 9/1989 Goatman 379/429
- D352,942 S * 11/1994 Weidinger D14/151
- D361,765 S * 8/1995 Bryant D14/151
- D368,090 S * 3/1996 Zeitman D14/151
- D374,667 S * 10/1996 Elkins et al. D14/151
- D380,754 S * 7/1997 Constantine et al. D14/150

1 Claim, 3 Drawing Sheets



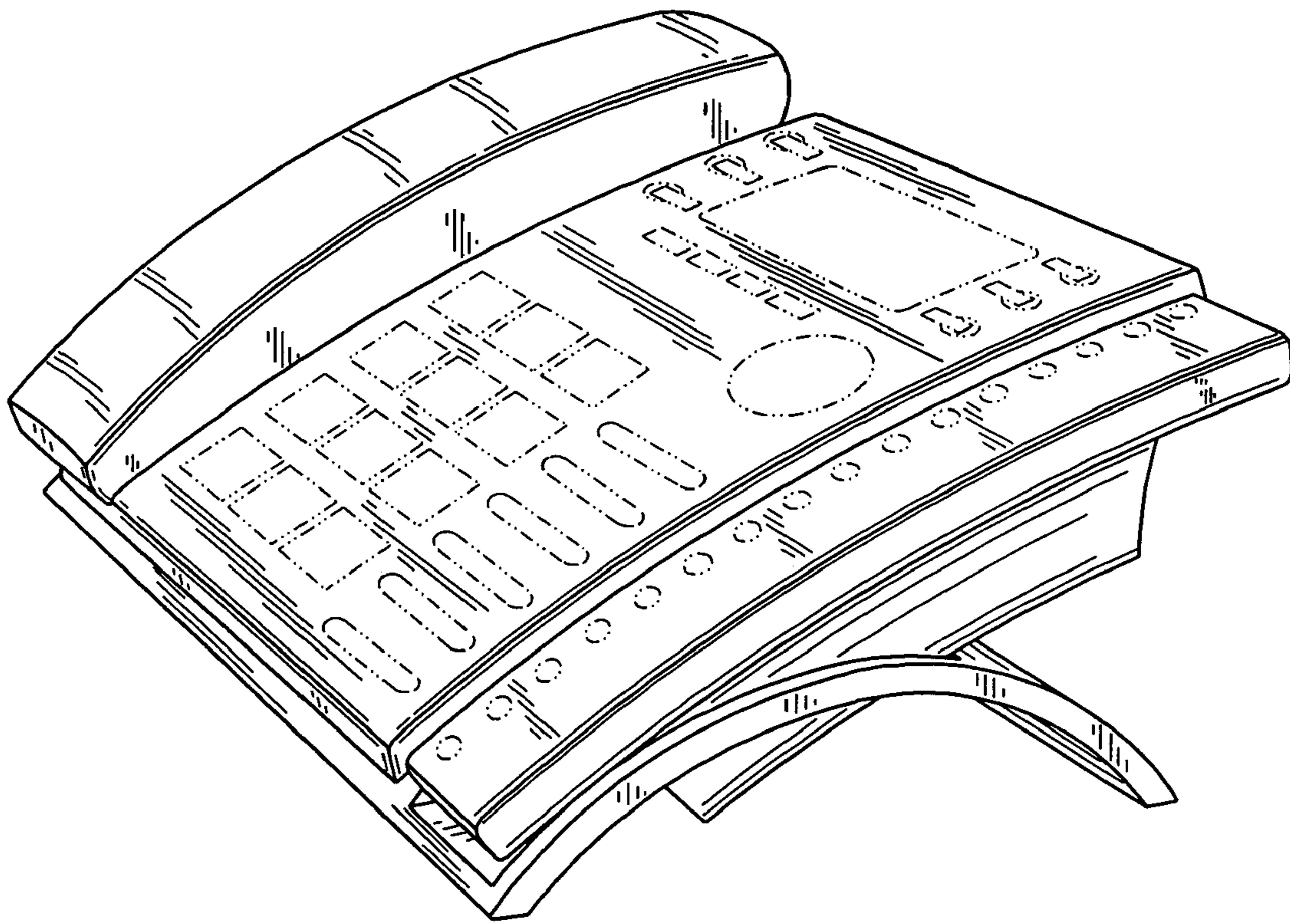


FIG. 1

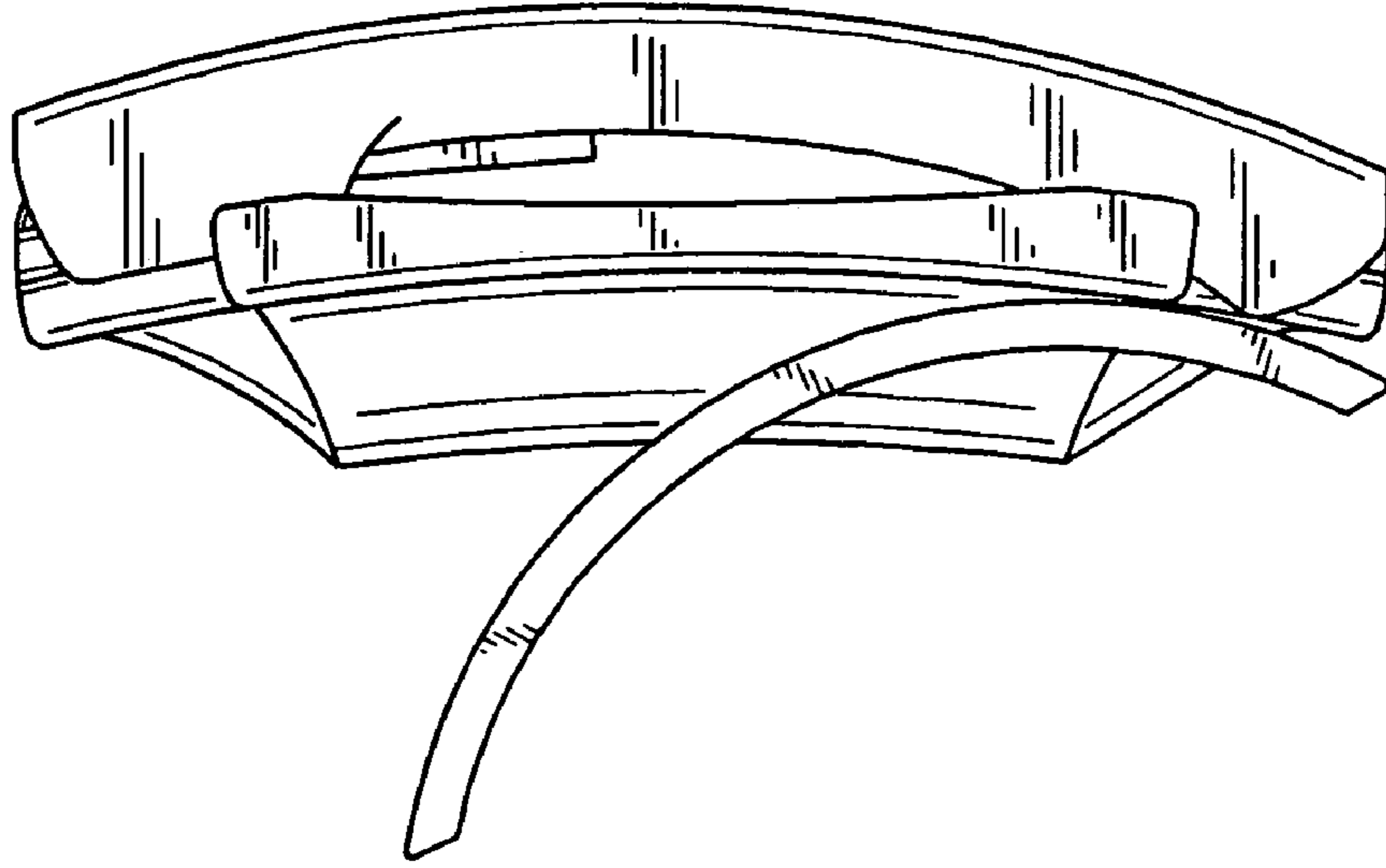


FIG. 3

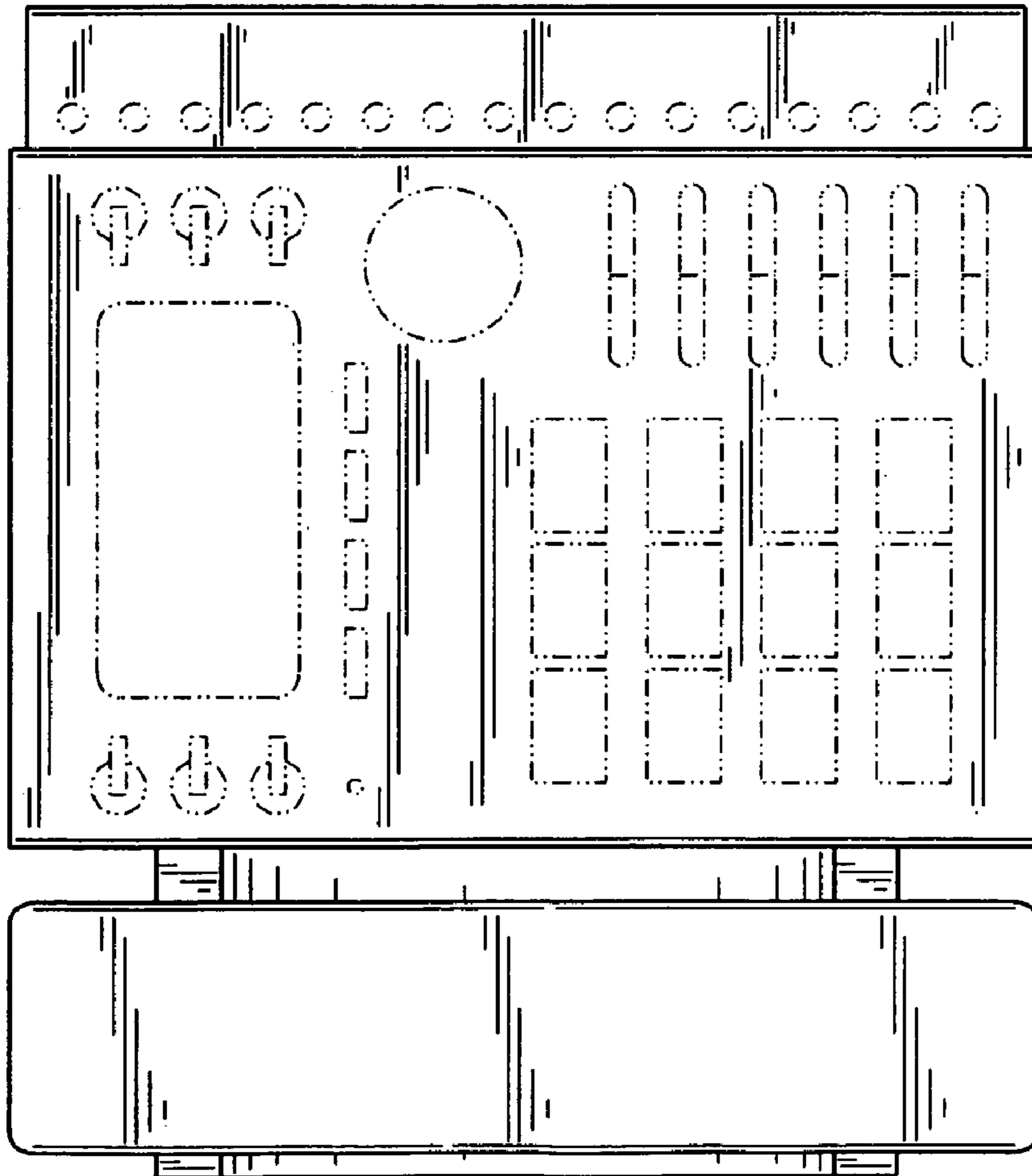


FIG. 2

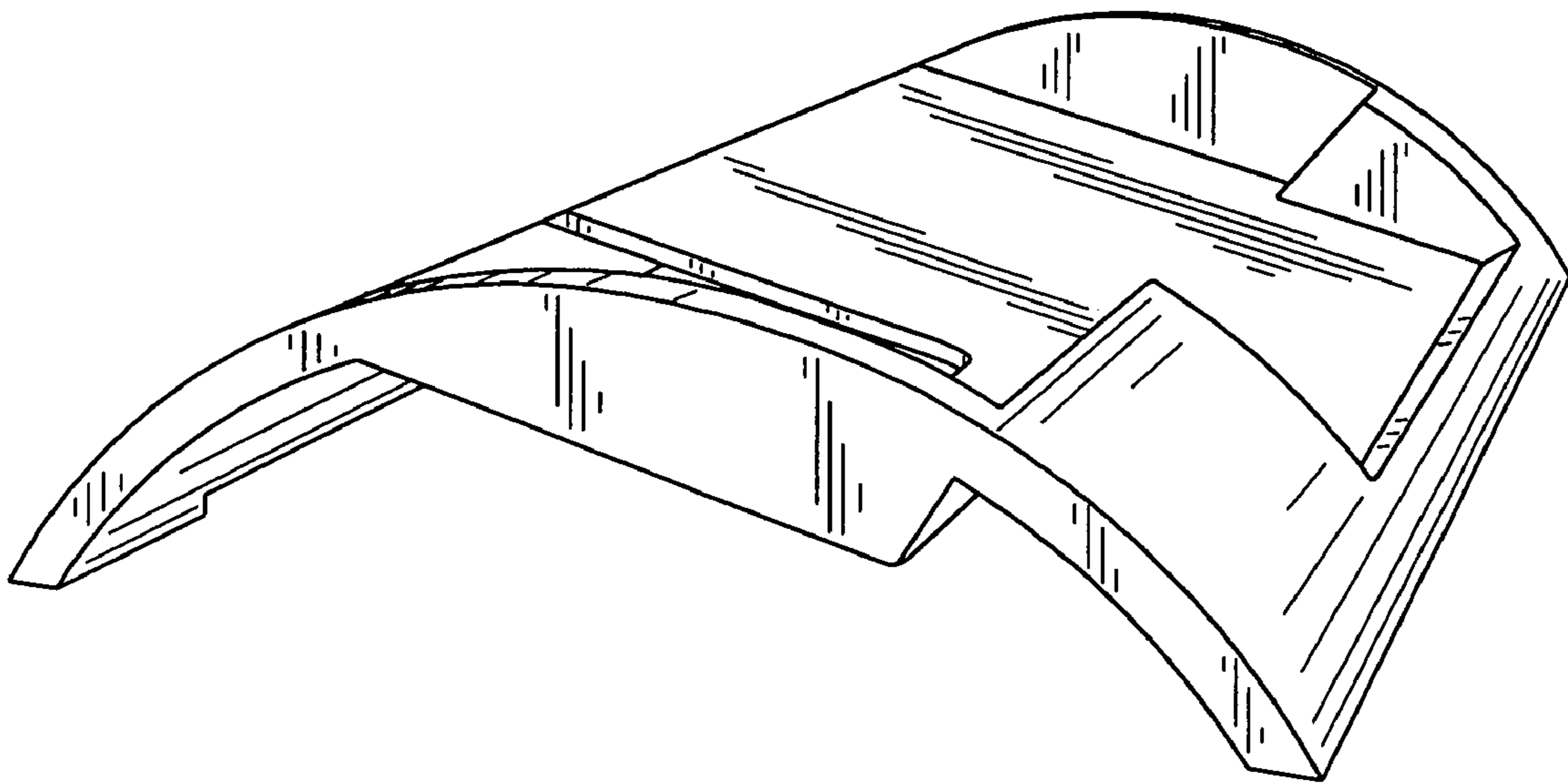


FIG. 4