



US00D556711S

(12) **United States Design Patent**
Lee et al.

(10) **Patent No.:** **US D556,711 S**
(45) **Date of Patent:** **** Dec. 4, 2007**

(54) **HEADREST LCD MONITOR WITH DVD
PLAYER**

(75) Inventors: **Mark Lee**, Taoyuan (TW);
Jung-Chang Wu, Bade (TW); **Wei-Yu
Wu**, Gueishan Township, Taoyuan
County (TW)

(73) Assignee: **Sysgration Ltd.**, Taipei (TW)

(**) Term: **14 Years**

(21) Appl. No.: **29/244,362**

(22) Filed: **Dec. 9, 2005**

(51) **LOC (8) Cl.** **14-03**

(52) **U.S. Cl.** **D14/132; D14/129**

(58) **Field of Classification Search** D14/125,
D14/129, 132, 136, 156, 374, 375; 348/180,
348/184, 325, 838; 341/12; 345/104, 133,
345/156, 168, 173, 87; 720/605, 669, 600,
720/655; 369/99, 197; 455/344, 345, 346,
455/347, 566; 368/12; D12/421, 415
See application file for complete search history.

(56) **References Cited**

U.S. PATENT DOCUMENTS

D418,831 S * 1/2000 Rosen et al. D14/376
D438,850 S * 3/2001 Rosen D14/132
D439,226 S * 3/2001 Rosen D14/132
D448,009 S * 9/2001 Lavelle et al. D14/125
6,739,654 B1 * 5/2004 Shen et al. 297/188.04
D507,785 S * 7/2005 Mizokawa D14/126

D508,900 S * 8/2005 Kawano et al. D14/132
D511,755 S * 11/2005 Peng D14/132
D511,756 S * 11/2005 Matsuoka D14/132
D515,522 S * 2/2006 Vitito D14/126
D518,004 S * 3/2006 Peng D14/126
7,036,879 B2 * 5/2006 Chang 297/217.3
2004/0032543 A1 * 2/2004 Chang 348/837

* cited by examiner

Primary Examiner—Philip S. Hyder

(57) **CLAIM**

The ornamental design for a headrest LCD monitor with DVD player, as shown and described.

DESCRIPTION

FIG. 1 is a front right perspective view of a headrest LCD monitor with DVD player showing my new design;

FIG. 2 is a front elevation view thereof;

FIG. 3 is a rear elevation view thereof;

FIG. 4 is a left side elevation view thereof;

FIG. 5 is a right side elevation view thereof;

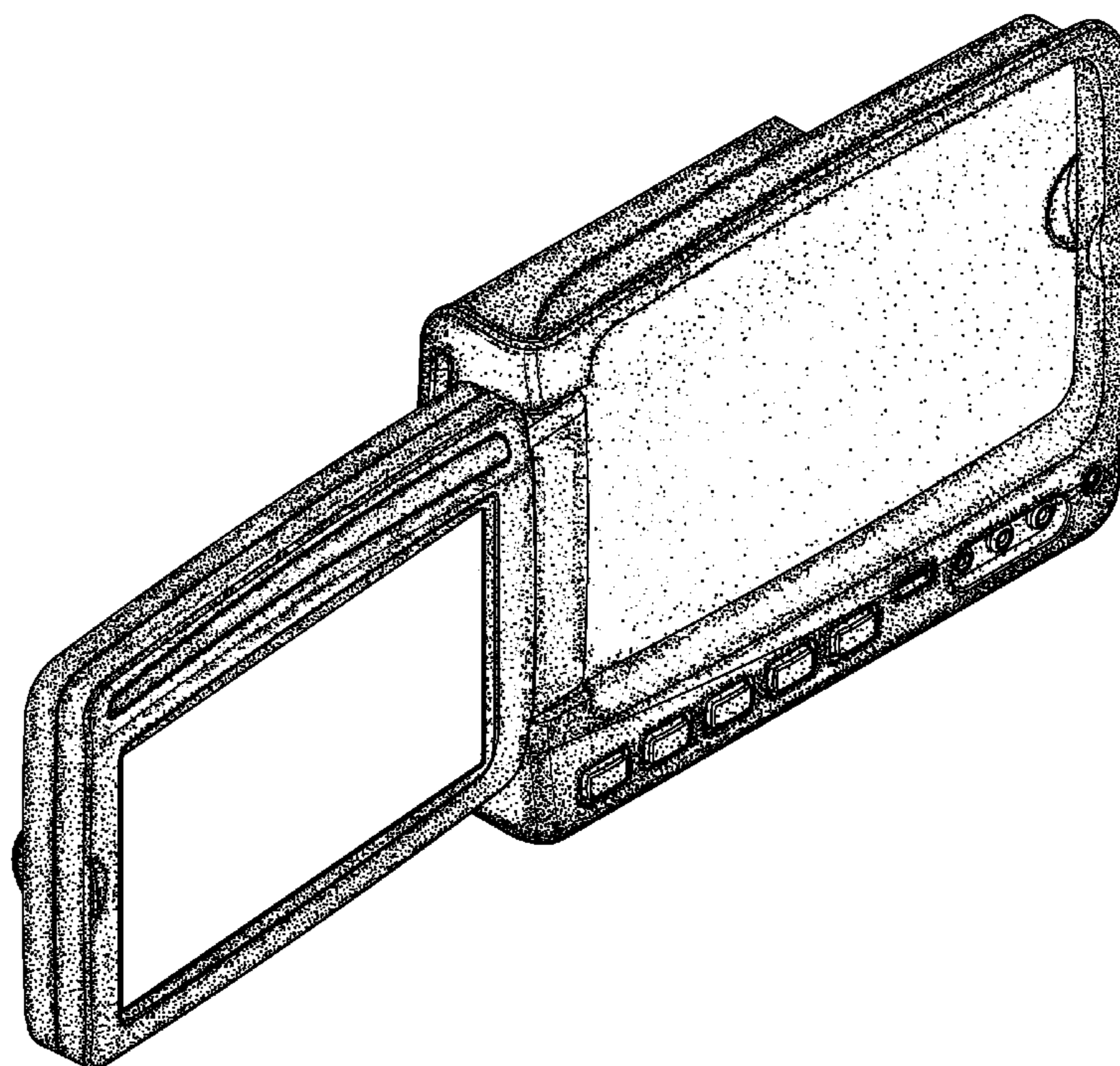
FIG. 6 is a top plan view thereof;and

FIG. 7 is a bottom plan view thereof.

FIG. 8 is a perspective view thereof, with the monitor in an open position; and,

FIG. 9 is a perspective view thereof, with the monitor in an open and rotated position.

1 Claim, 6 Drawing Sheets



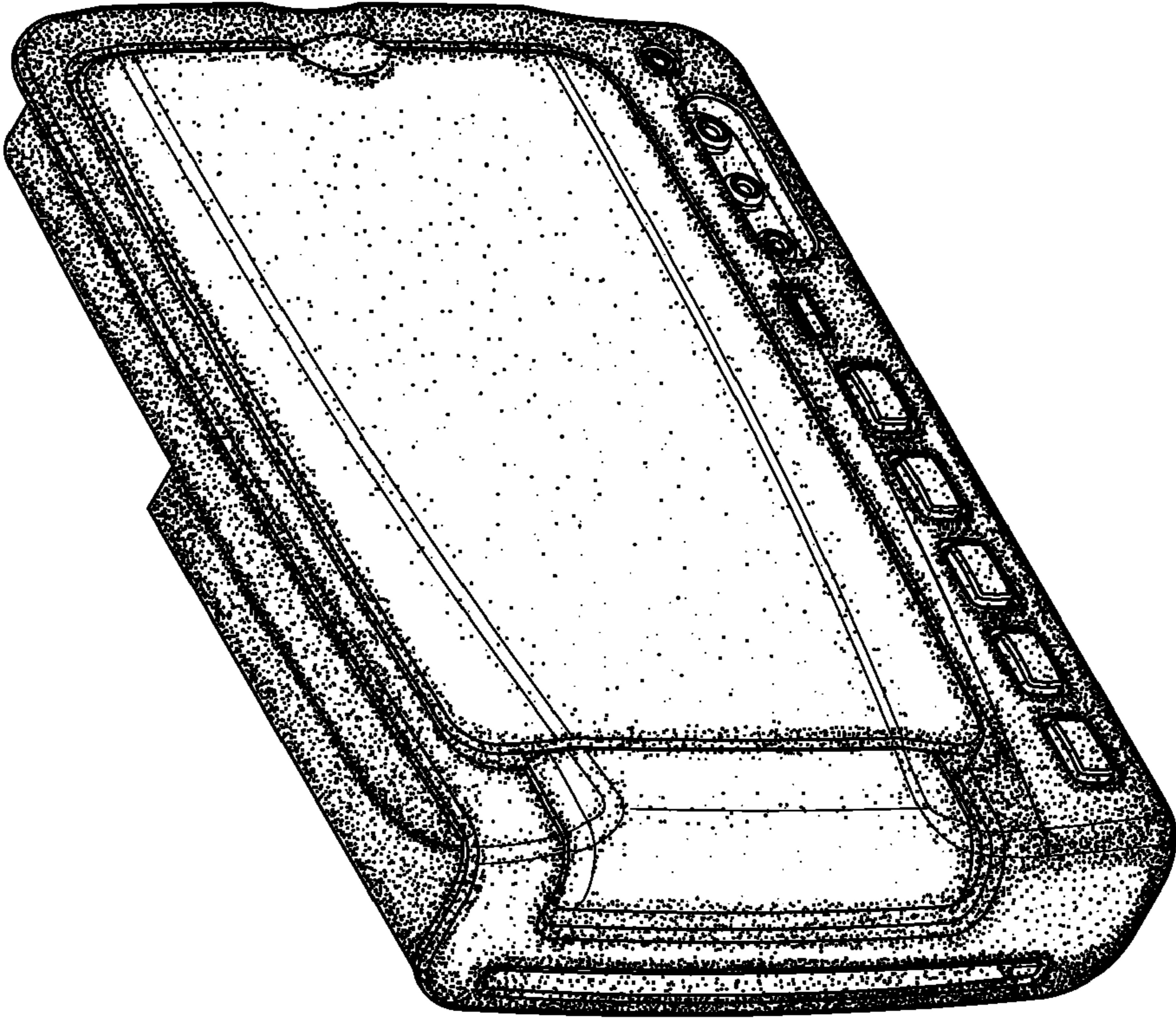


FIG. 1

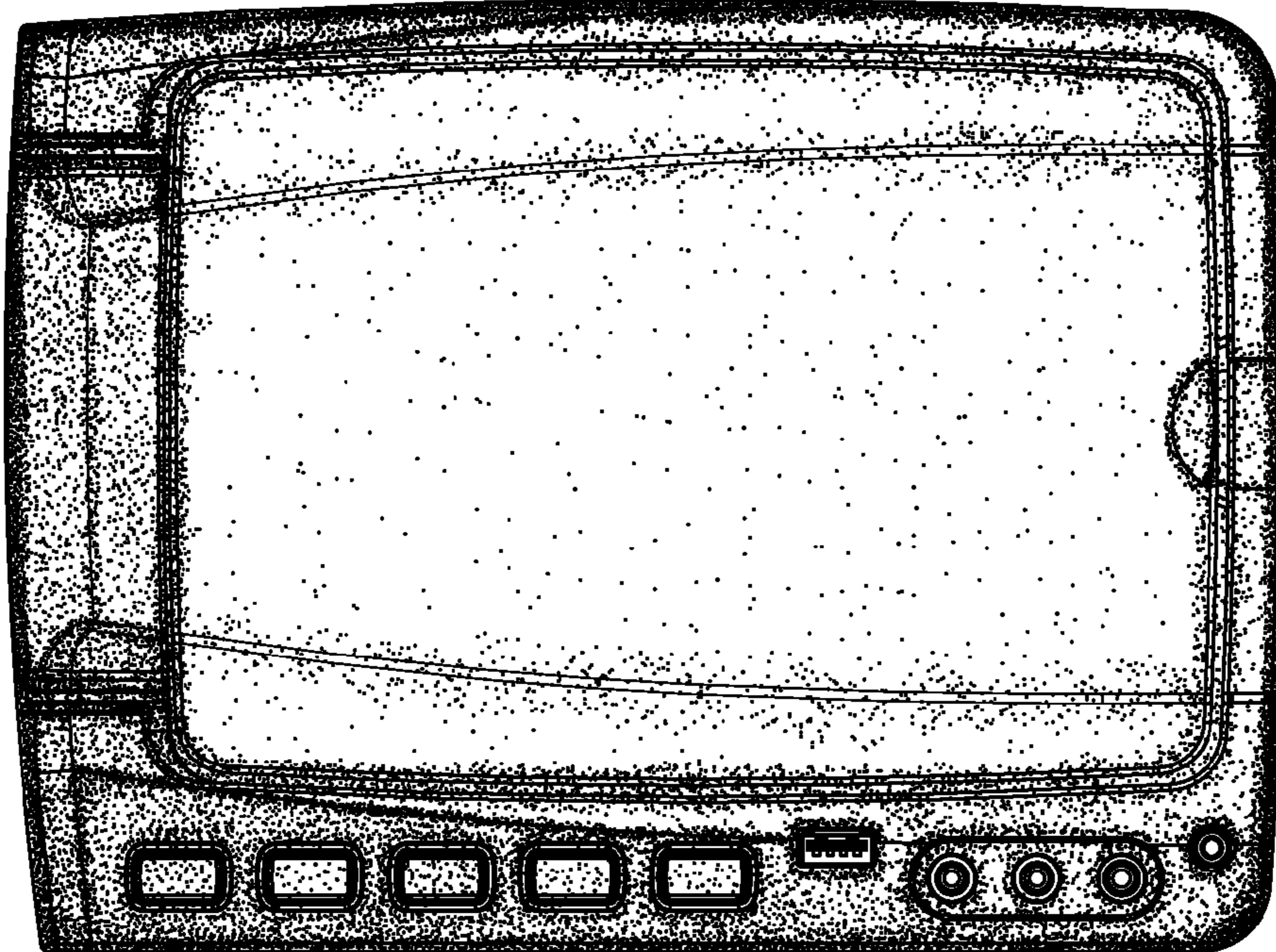


FIG. 2

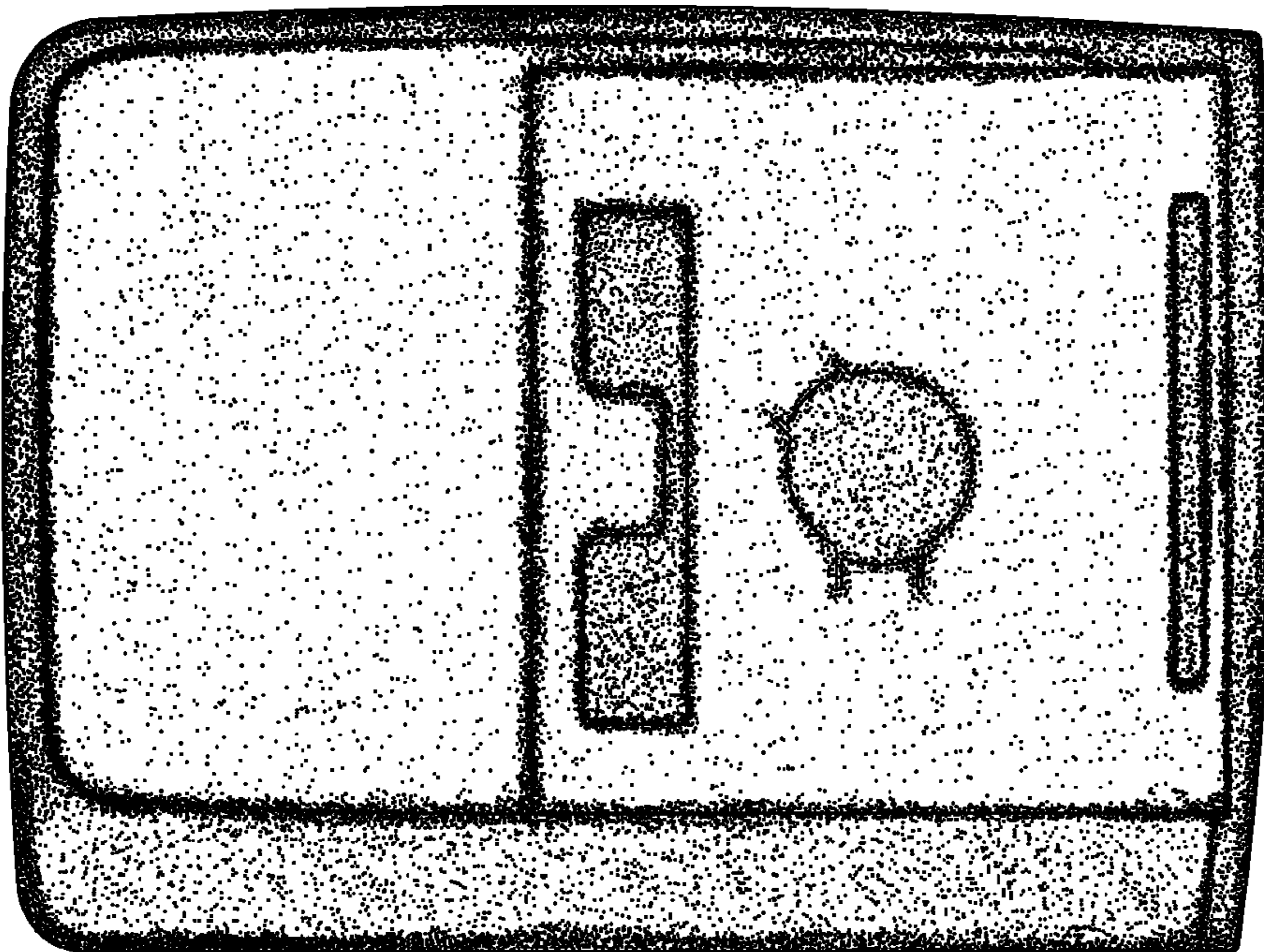


FIG. 3

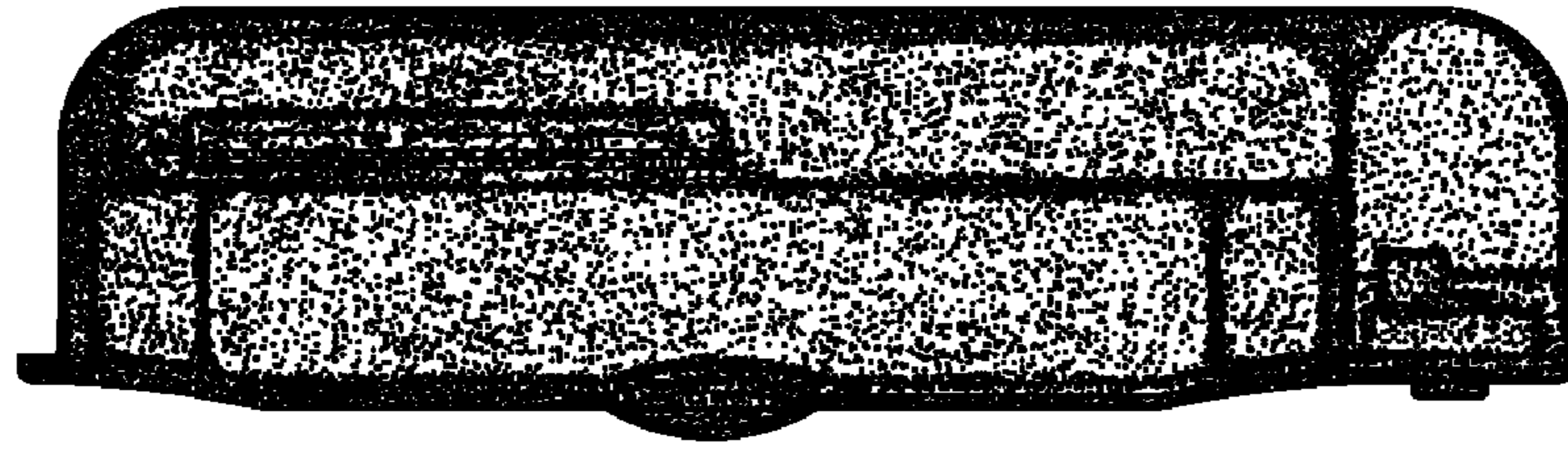


FIG. 5

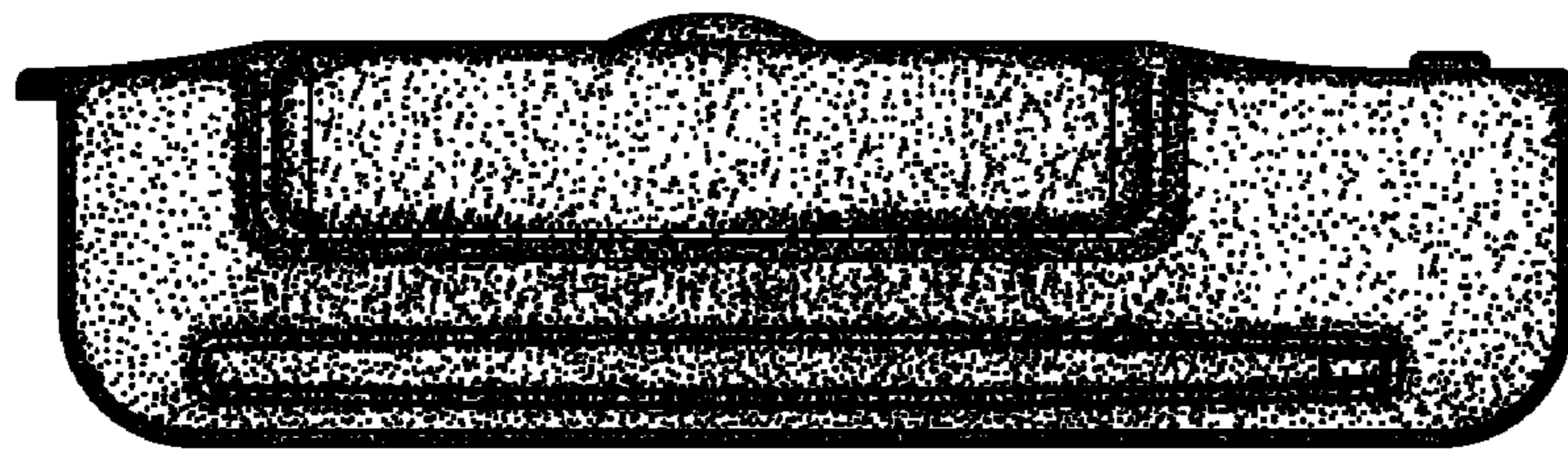


FIG. 4

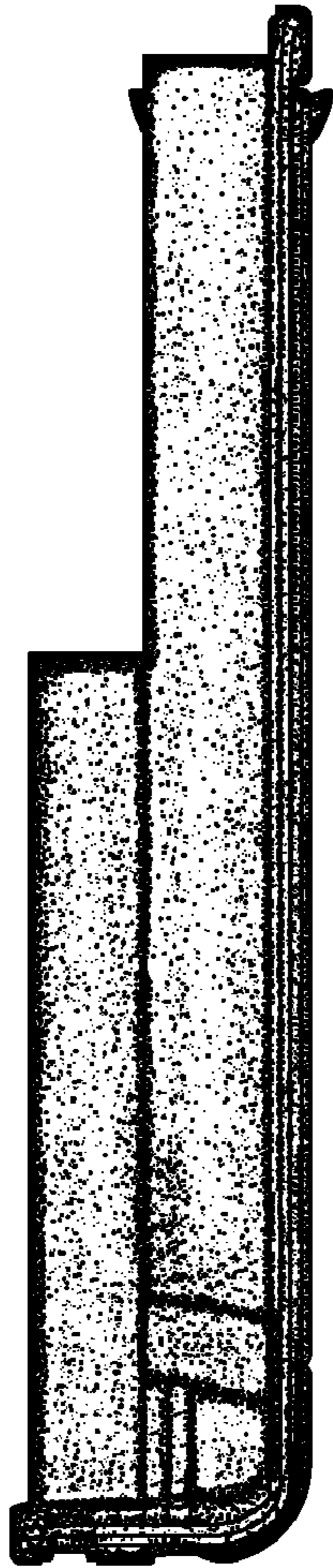


FIG. 6

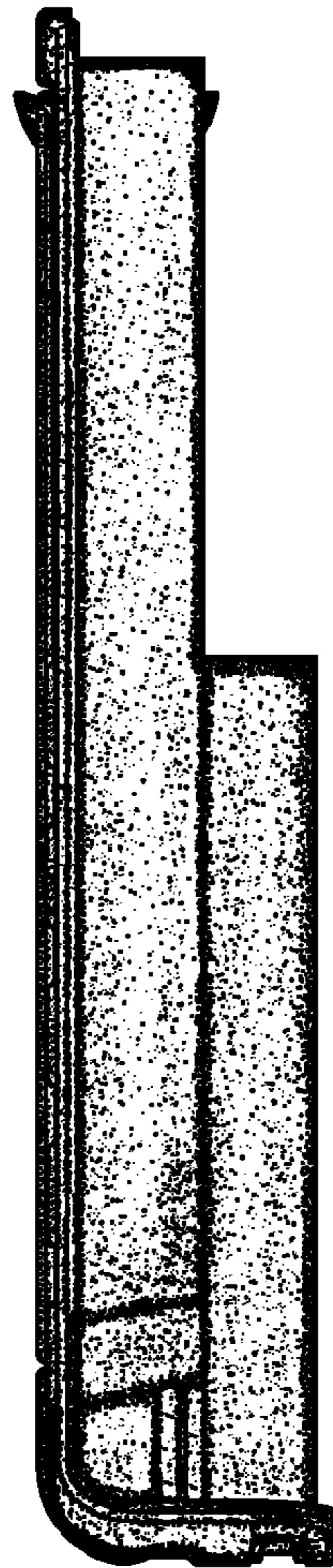


FIG. 7

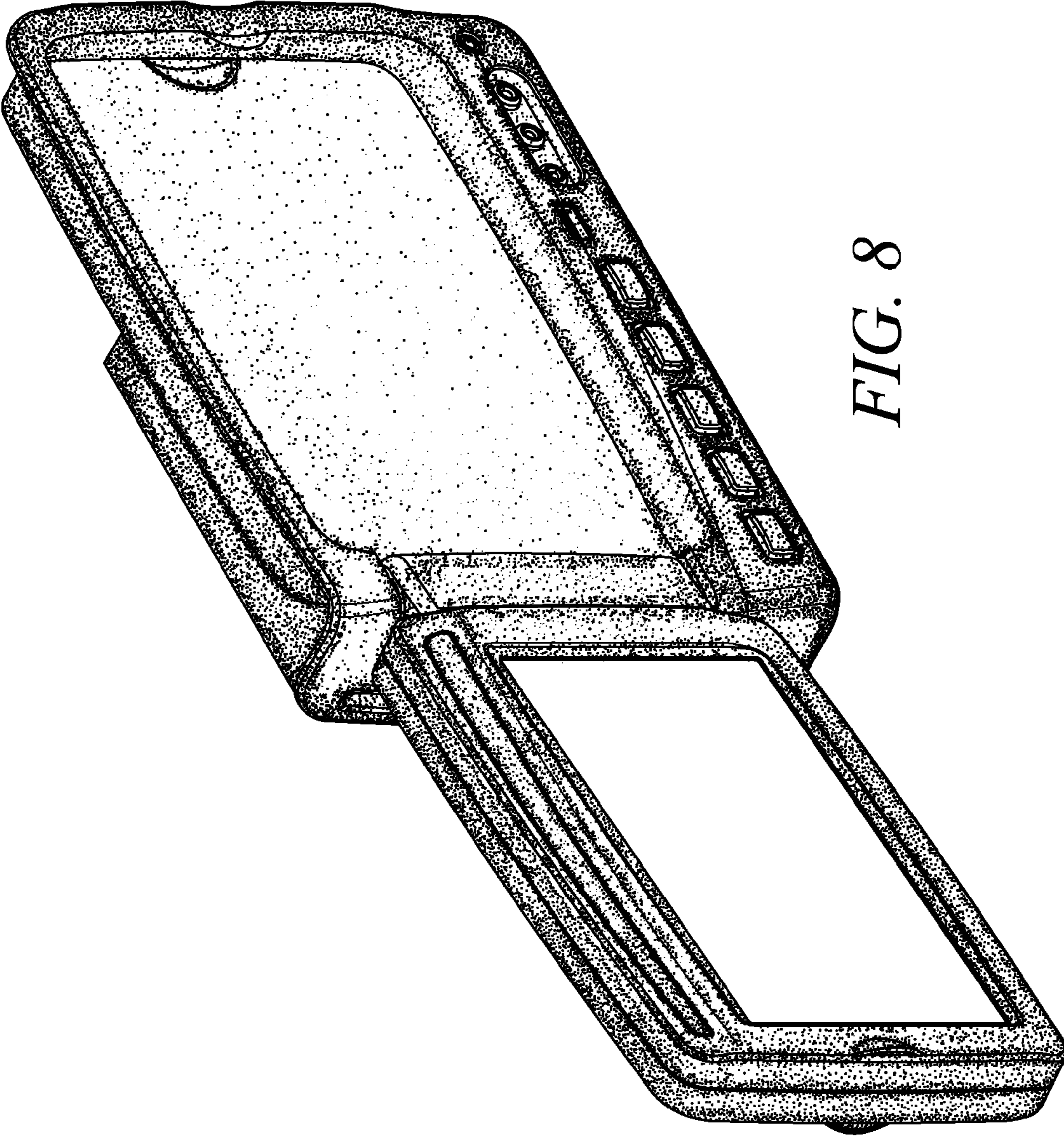


FIG. 8

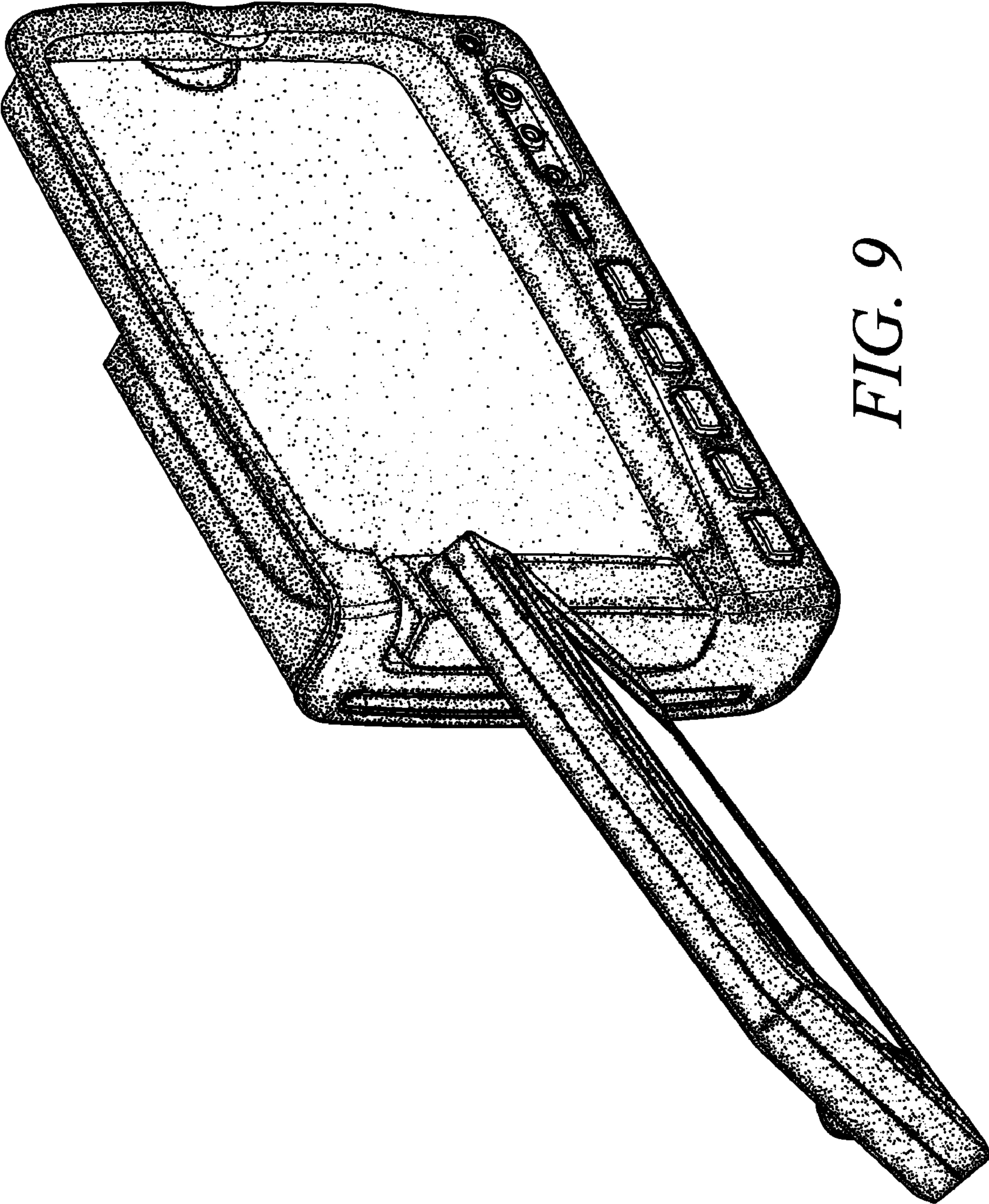


FIG. 9