



US00D556707S

(12) **United States Design Patent** (10) **Patent No.:** **US D556,707 S**  
**Fujii** (45) **Date of Patent:** **\*\* Dec. 4, 2007**

(54) **TELEVISION RECEIVER**  
(75) Inventor: **Mitsunari Fujii**, Hyogo (JP)  
(73) Assignee: **Matsushita Electric Industrial Co., Ltd.**, Osaka (JP)  
(\*\*) Term: **14 Years**  
(21) Appl. No.: **29/253,182**  
(22) Filed: **Feb. 1, 2006**  
(30) **Foreign Application Priority Data**  
Aug. 1, 2005 (JP) ..... 2005-022331  
(51) **LOC (8) Cl.** ..... **14-03**  
(52) **U.S. Cl.** ..... **D14/126**  
(58) **Field of Classification Search** ..... D14/125-134,  
D14/239, 371, 136, 374-377; 312/7.2; 348/836,  
348/838, 180, 184, 325, 739; 341/12; 248/917-924,  
248/465; 345/104, 133, 156, 168, 87, 173;  
720/605, 669, 600, 655; 369/99, 197; 455/344-347  
See application file for complete search history.

D540,278 S \* 4/2007 Ju et al. .... D14/126  
D540,282 S \* 4/2007 Kita ..... D14/126  
D540,755 S \* 4/2007 Asanuma et al. .... D14/126

**FOREIGN PATENT DOCUMENTS**

JP	D1175179	6/2003
JP	D1187337	10/2003
JP	D1203951	4/2004
JP	D1205736	5/2004
JP	D1213666	8/2004
JP	D1213667	8/2004
JP	D1221036	10/2004
JP	D1221037	10/2004
JP	D1221040	10/2004
JP	D1221062	10/2004
JP	D1234221	3/2005
JP	D1236447	4/2005
JP	D1237532	4/2005
JP	D1243670	6/2005
JP	D1244735	7/2005
JP	D1251044	9/2005

\* cited by examiner

*Primary Examiner*—Raphael Barkai  
(74) *Attorney, Agent, or Firm*—Brinks Hofer Gilson & Lione

(56) **References Cited**

**U.S. PATENT DOCUMENTS**

D382,259 S	*	8/1997	Nagai et al.	.....	D14/374
D403,309 S		12/1998	Takemasa et al.		
D408,416 S	*	4/1999	Fenner et al.	.....	D14/239
D417,659 S		12/1999	Takemasa		
D424,068 S		5/2000	Takemasa		
D436,087 S		1/2001	Takami et al.		
D457,864 S		5/2002	Bong et al.		
D458,236 S		6/2002	Bong et al.		
D475,356 S		6/2003	Niitsu		
D477,292 S		7/2003	Inoue et al.		
D485,539 S		1/2004	Goto et al.		
D488,784 S		4/2004	Takami et al.		
D491,151 S		6/2004	Nagao		
D497,146 S		10/2004	Asanuma et al.		
D505,403 S	*	5/2005	Kita	.....	D14/134
D509,198 S		9/2005	Ahn		
D510,919 S		10/2005	Kubota et al.		
D533,149 S	*	12/2006	Inoue	.....	D14/126
D533,848 S	*	12/2006	Lee et al.	.....	D14/126

(57) **CLAIM**

I claim the ornamental design for a television receiver, as shown and described.

**DESCRIPTION**

FIG. 1 is a top perspective view of a television receiver of the present invention;  
FIG. 2 is a front view thereof;  
FIG. 3 is a top view thereof;  
FIG. 4 is a first side view thereof;  
FIG. 5 is a second side view thereof;  
FIG. 6 is a bottom view thereof; and,  
FIG. 7 is a rear view thereof.

**1 Claim, 3 Drawing Sheets**

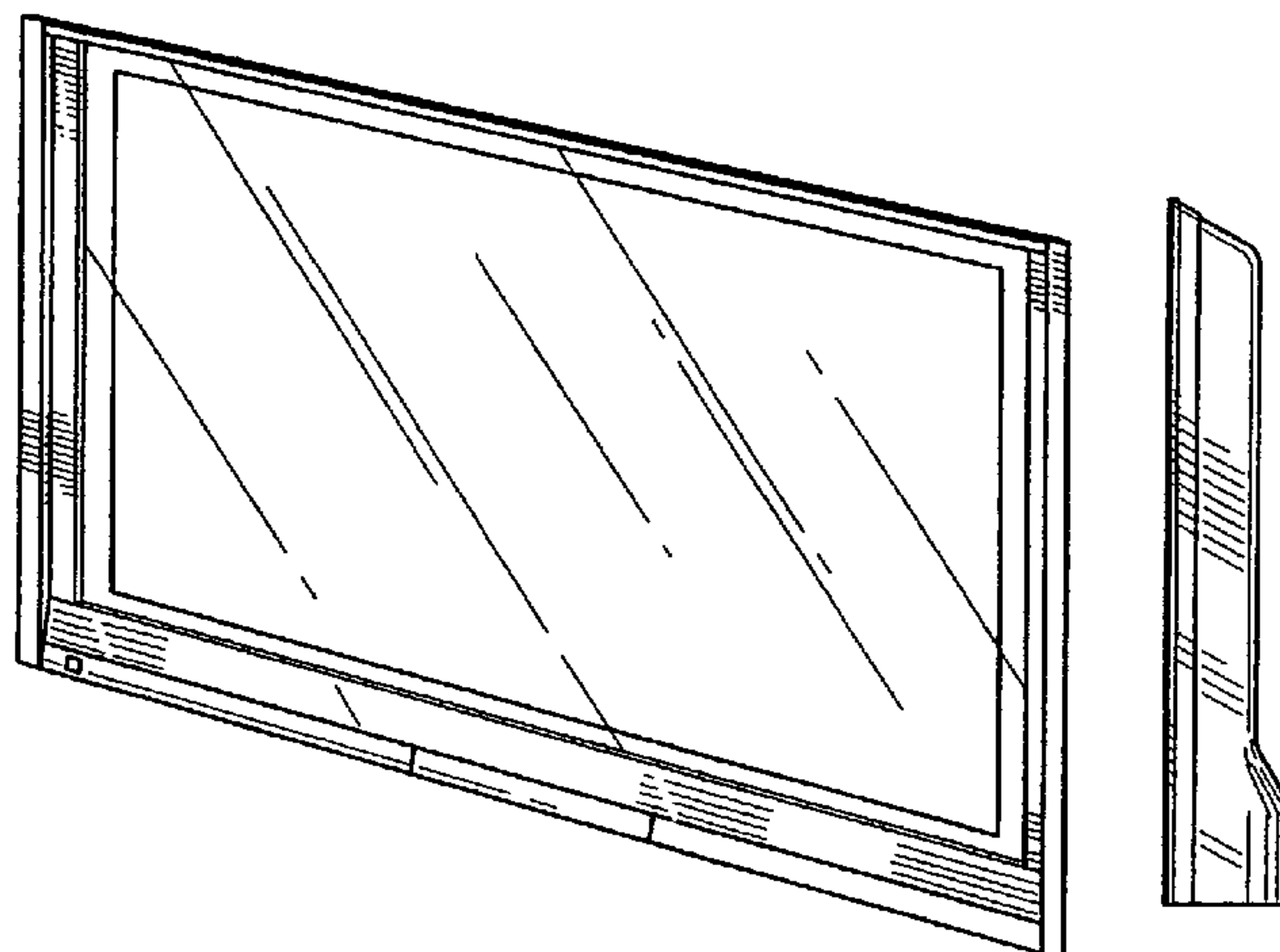


FIG.1

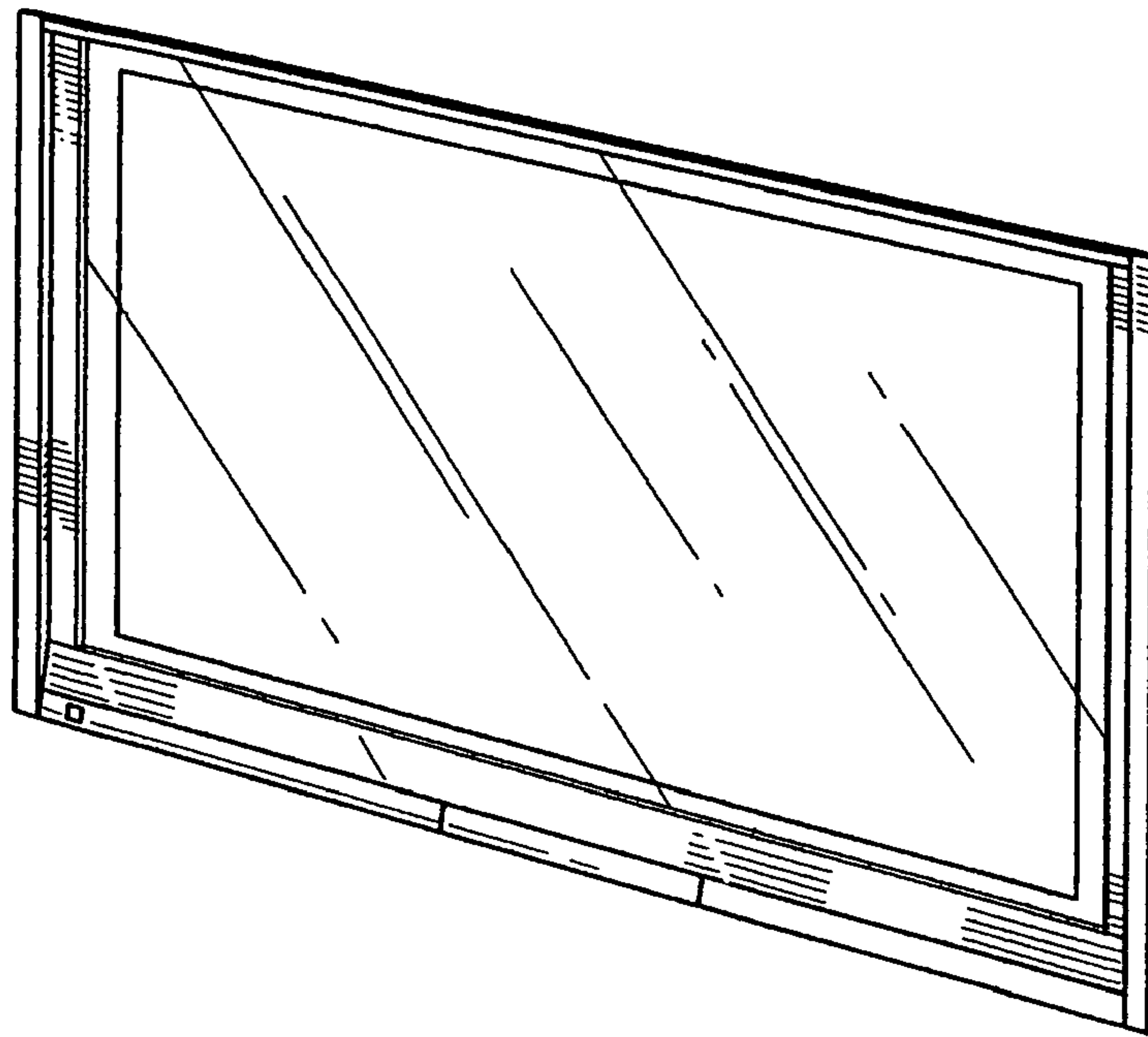
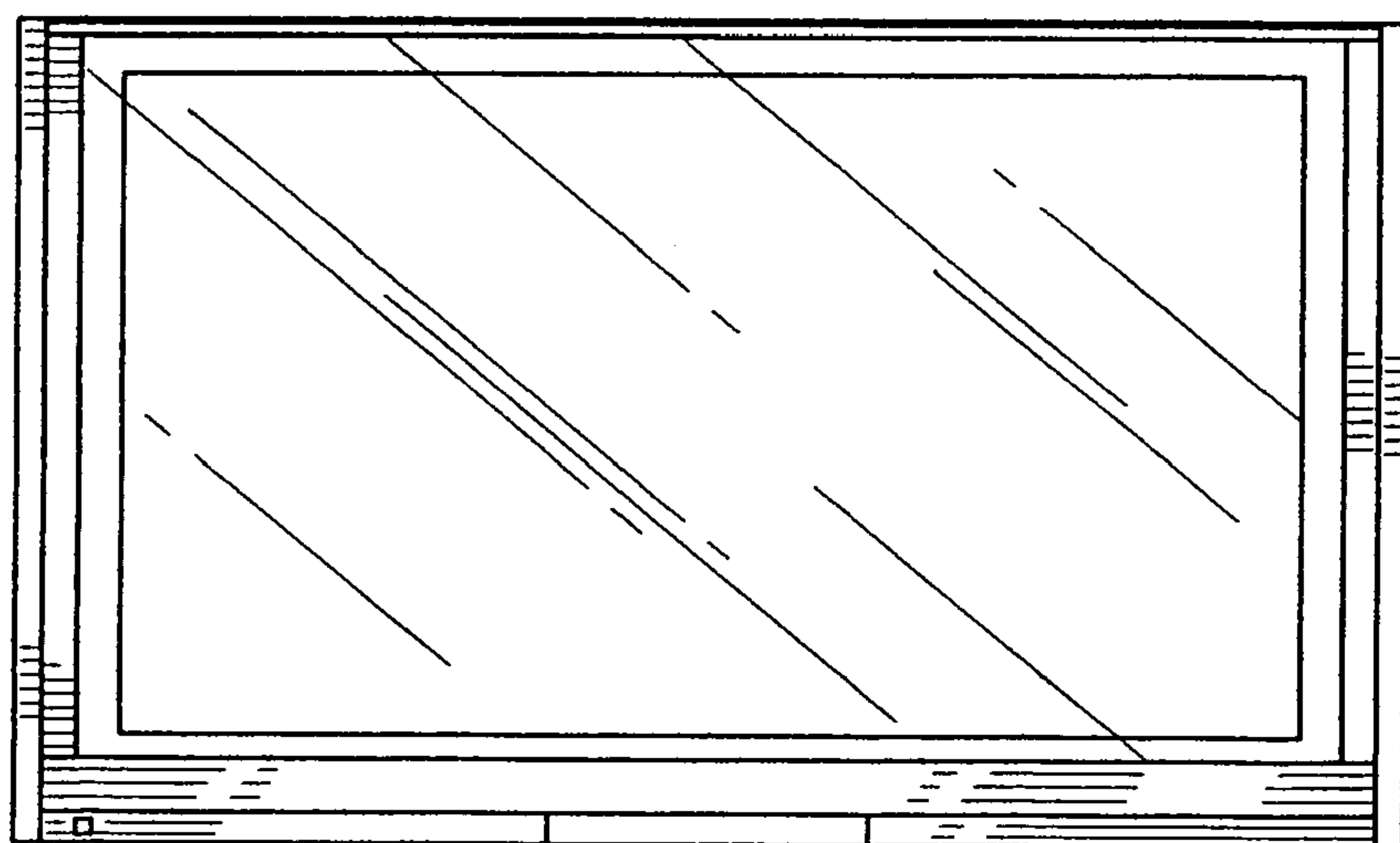
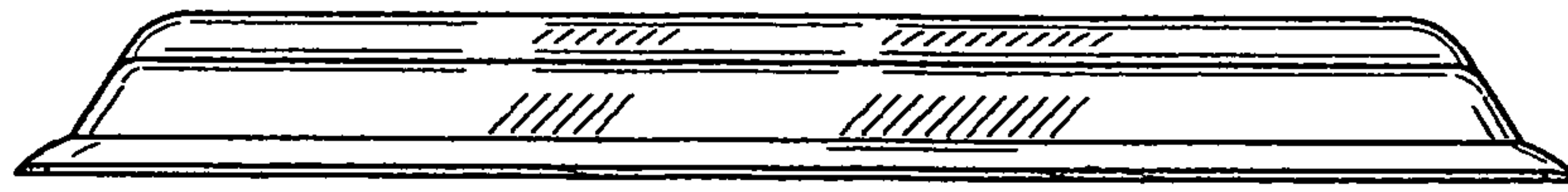


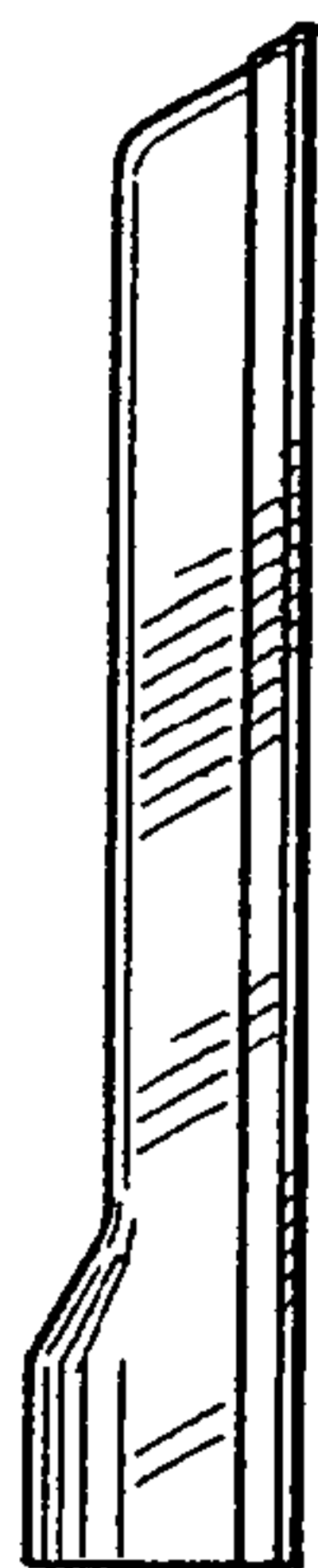
FIG.2



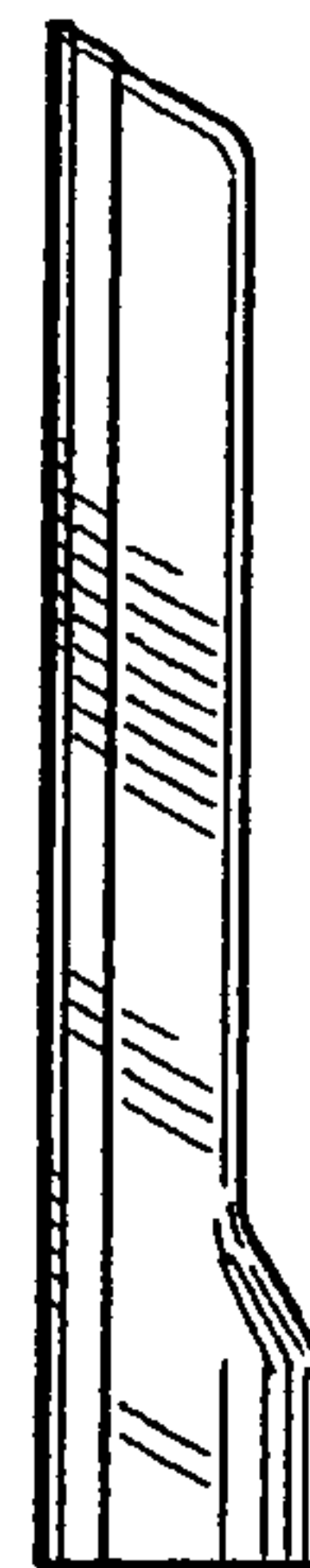
*FIG.3*



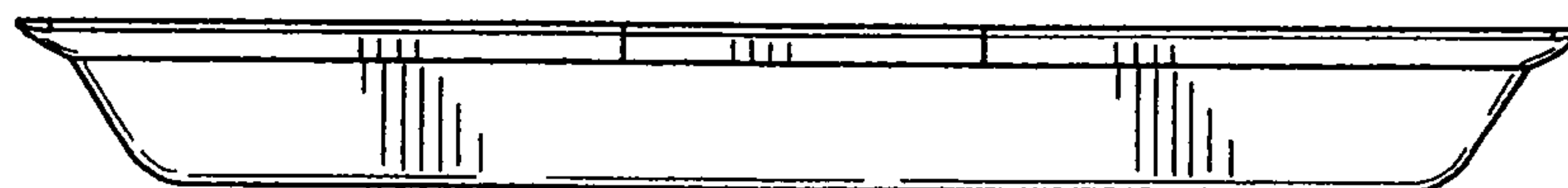
*FIG.4*



*FIG.5*



*FIG.6*



*FIG. 7*

