



US00D556706S

(12) **United States Design Patent**
Niitsu et al.

(10) **Patent No.:** **US D556,706 S**
(45) **Date of Patent:** **** Dec. 4, 2007**

(54) **TELEVISION RECEIVER**

D540,279 S * 4/2007 You et al. D14/126

(75) Inventors: **Takuya Niitsu**, Tokyo (JP); **Yoshimune Iijima**, Tokyo (JP)

FOREIGN PATENT DOCUMENTS

JP D1243687 S 6/2005

(73) Assignee: **Sony Corporation**, Tokyo (JP)

OTHER PUBLICATIONS

(**) Term: **14 Years**

Web page "32" LCD TV" <http://www.westinghousedigital.com/products/prod-32w1.shtml>, 2 sheets, Westinghouse (Sep. 2005).

(21) Appl. No.: **29/251,695**

Web page "KDL-S19A10" <http://www.ecat.sony.co.jp/bravia/products/index.cfm?PD=20105&KM=KDL-S19A10>, 1 sheet, Sony (Sep. 2005).

(22) Filed: **Jan. 12, 2006**

U.S. Appl. No. 29/181,460, filed May 13, 2003, Kadonaga.

(30) **Foreign Application Priority Data**

U.S. Appl. No. 29/222,344, filed Jan. 31, 2005, Iijima et al.

Sep. 8, 2005 (JP) D2005-026062

U.S. Appl. No. 29/222,346, filed Jan. 31, 2005, Iijima et al.

U.S. Appl. No. 29/251,696, filed Jan. 12, 2006, Tako.

(51) **LOC (8) Cl.** **14-03**

* cited by examiner

(52) **U.S. Cl.** **D14/126**

Primary Examiner—Raphael Barkai

(58) **Field of Classification Search** D14/125–134,
D14/239, 371, 136, 374–377; 312/7.2; 348/836,
348/838, 180, 184, 325, 739; 341/12; 248/917–924,
248/465; 345/104, 133, 156, 168, 87, 173;
720/605, 669, 600, 655; 369/99, 197; 455/344–347
See application file for complete search history.

(74) *Attorney, Agent, or Firm*—Rader, Fishman & Grauer PLLC

(56) **References Cited**

(57) **CLAIM**

U.S. PATENT DOCUMENTS

The ornamental design for a television receiver, as shown.

D472,532 S	4/2003	Niitsu	
D487,433 S *	3/2004	Kanatani	D14/126
D487,731 S *	3/2004	Takami et al.	D14/126
D488,139 S *	4/2004	Takami et al.	D14/126
D488,451 S	4/2004	Niitsu	
D503,158 S *	3/2005	Asanuma et al.	D14/126
D510,917 S *	10/2005	Negishi et al.	D14/126
D523,405 S *	6/2006	Honda	D14/126
D534,139 S *	12/2006	Yokota	D14/126
D539,763 S *	4/2007	Yamada	D14/126
D540,277 S *	4/2007	Kim et al.	D14/126

DESCRIPTION

FIG. 1 is a perspective view of a television receiver showing our new design;

FIG. 2 is a front elevational view thereof;

FIG. 3 is a rear elevational view thereof;

FIG. 4 is a left side elevational view thereof;

FIG. 5 is a right side elevational view thereof;

FIG. 6 is a top plan view thereof; and,

FIG. 7 is a bottom plan view thereof.

1 Claim, 7 Drawing Sheets

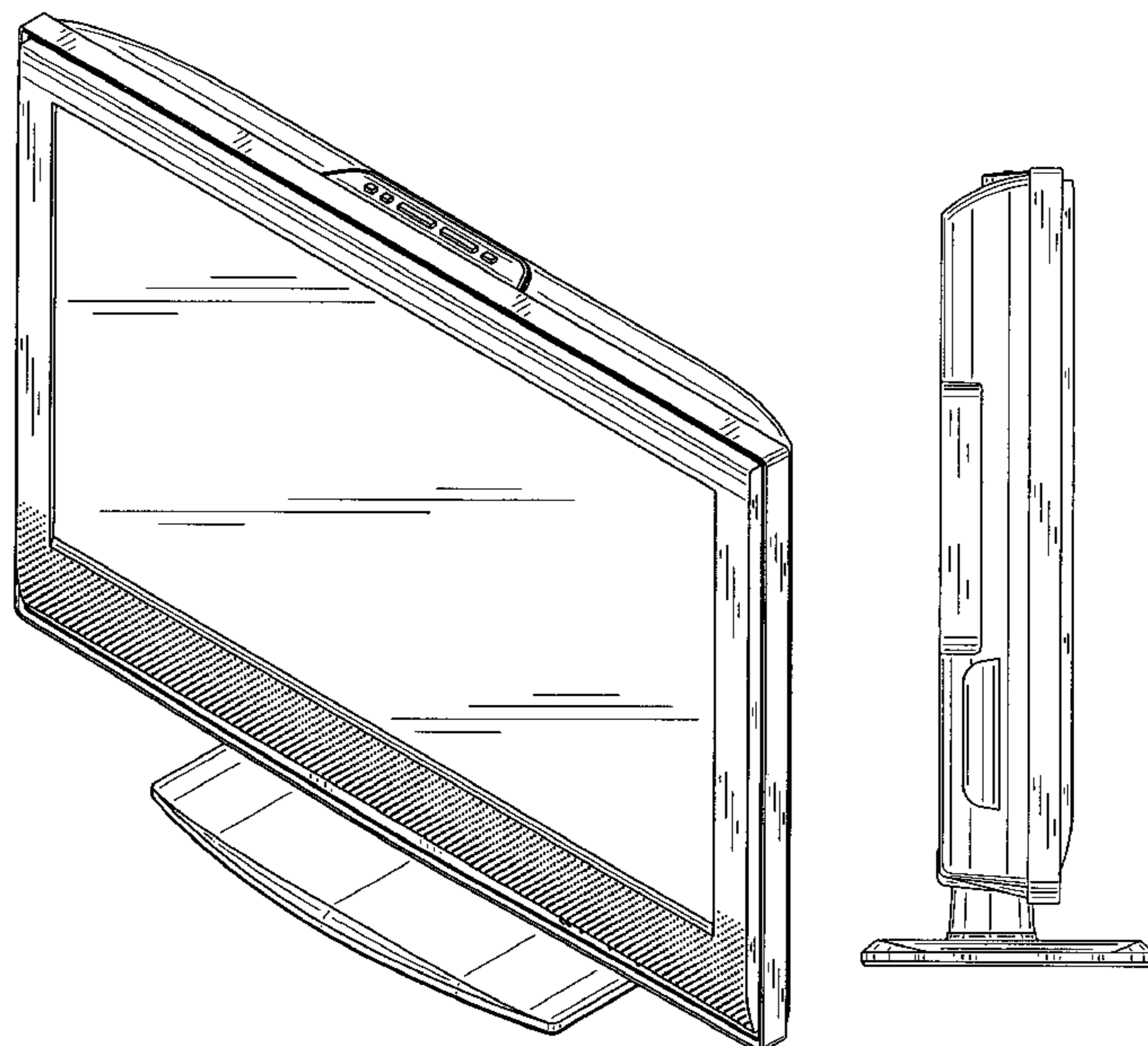


Fig.1

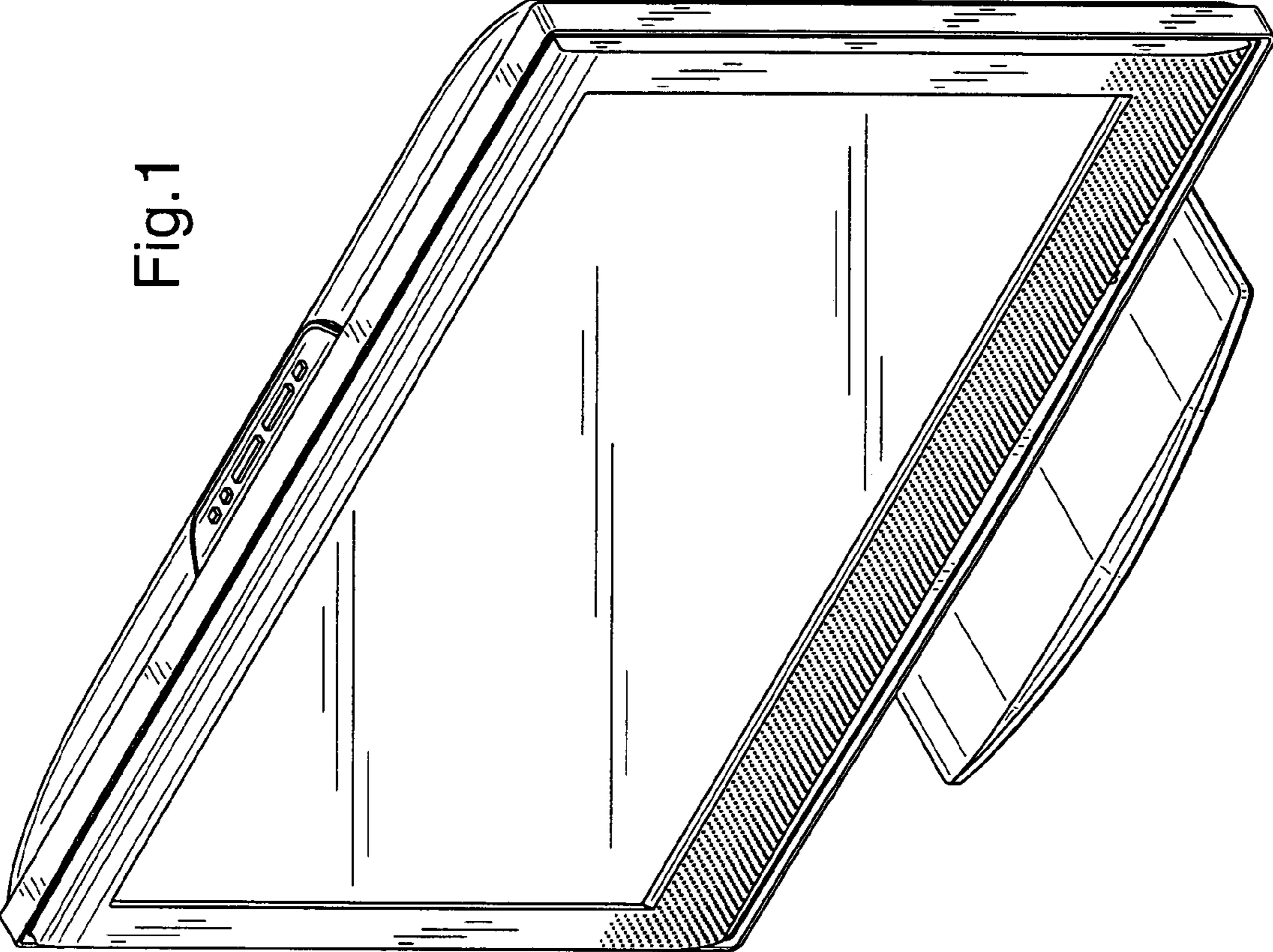


Fig.2

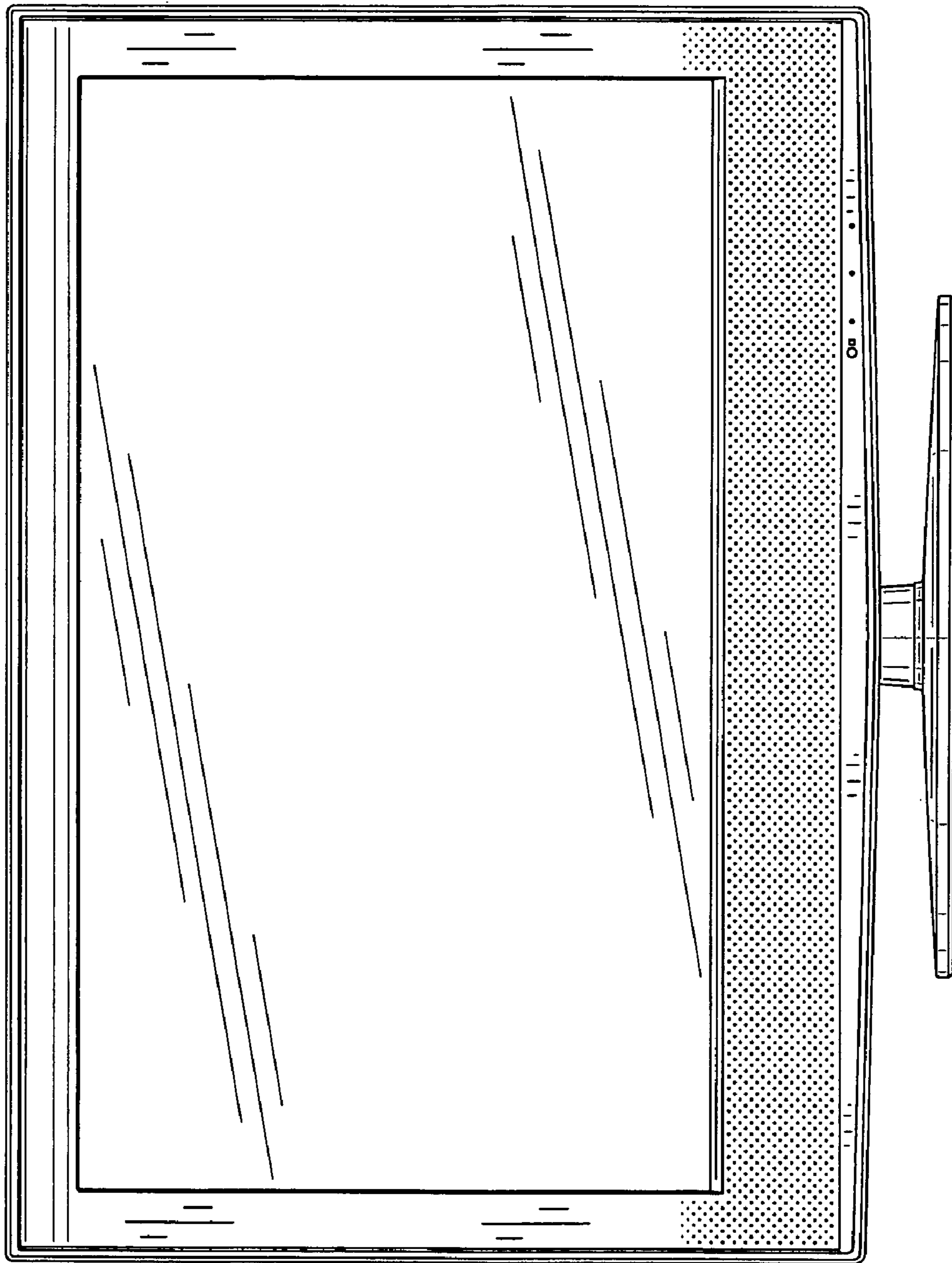


Fig. 3

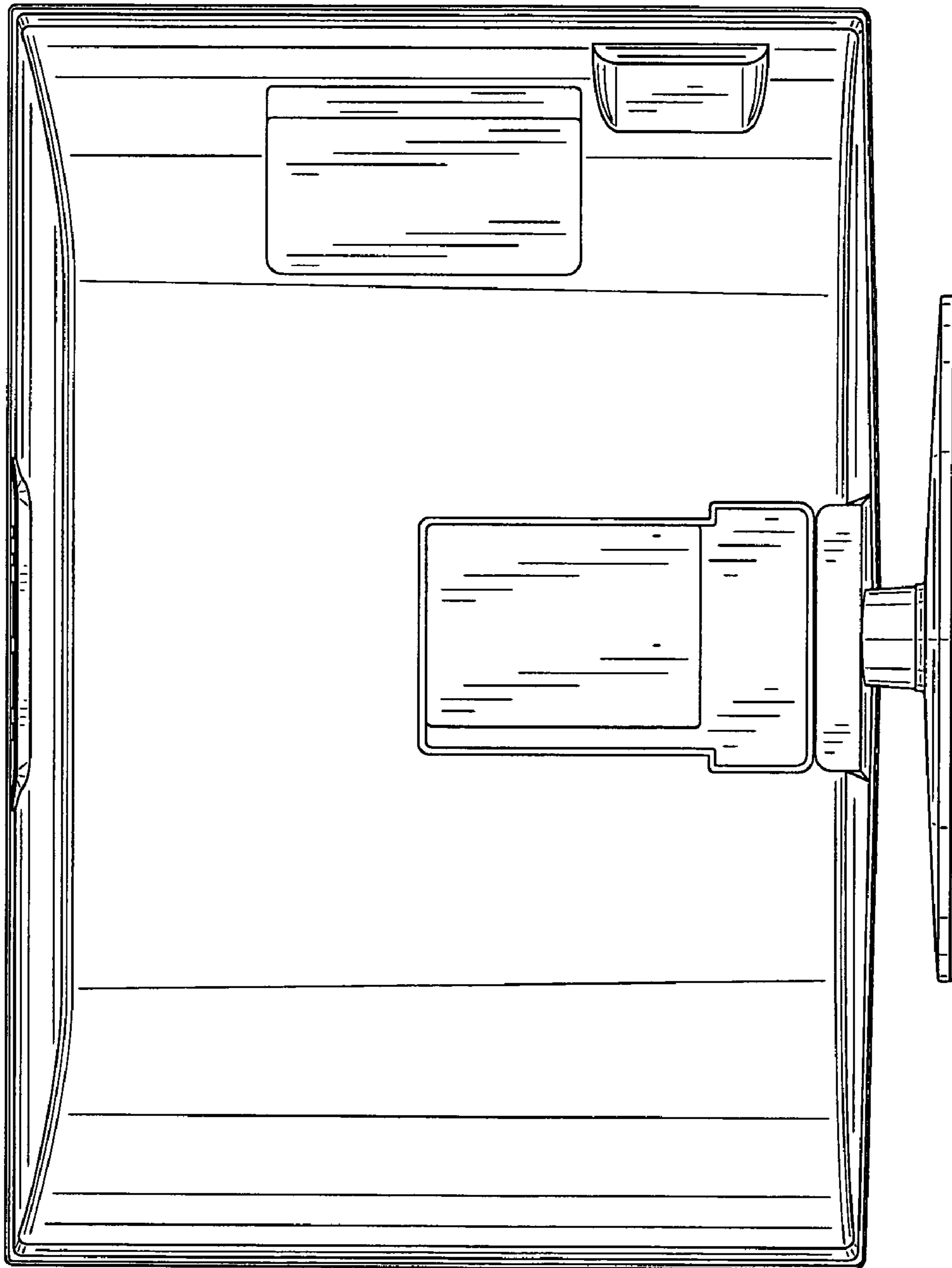


Fig.4

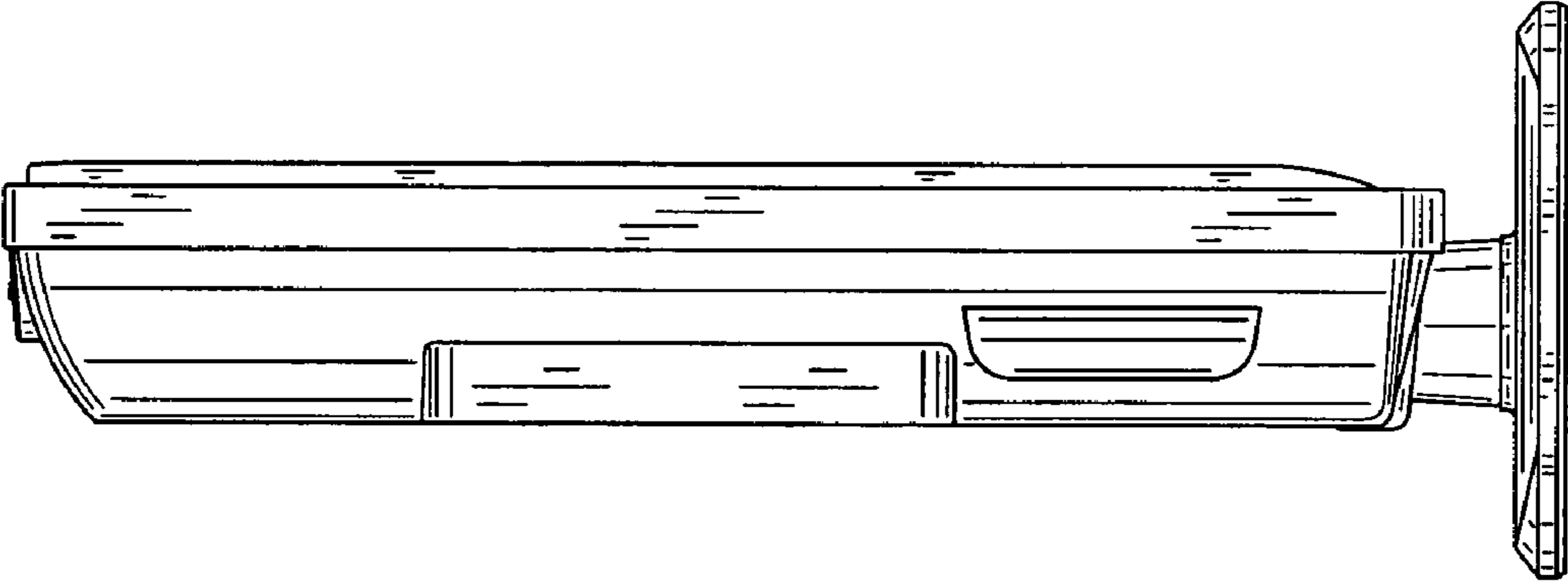


Fig.5

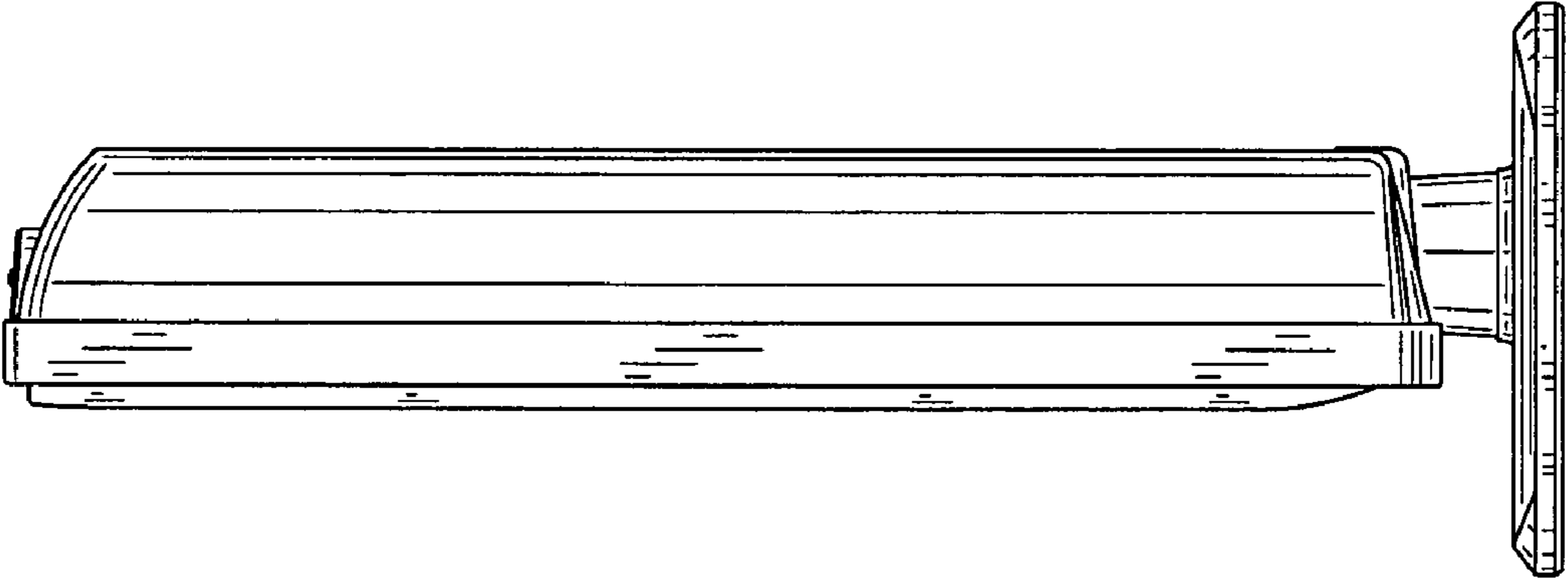


Fig.6

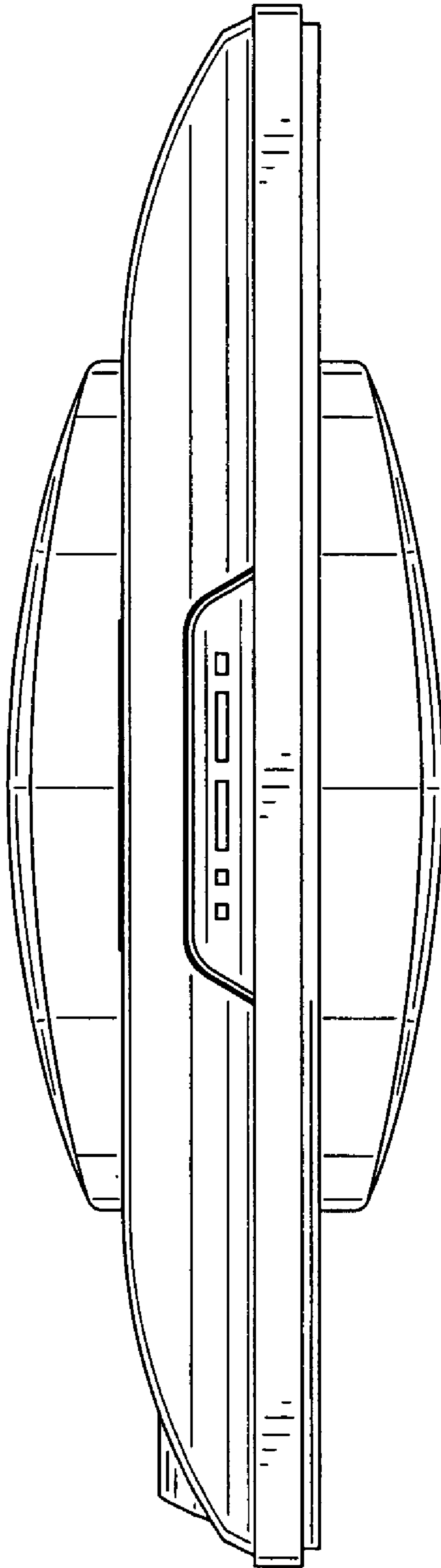


Fig.7

