



US00D556702S

(12) **United States Design Patent**
Laufer et al.

(10) **Patent No.:** **US D556,702 S**
(45) **Date of Patent:** **** Dec. 4, 2007**

(54) **COOLING UNIT**

(75) Inventors: **Wolfgang Laufer**, Aitchhalden (DE);
Walter G. Angelis, St. Georgen (DE);
Siegfried Seidler,
Villingen-Schwenningen (DE); **Norbert**
Weisser, Niedereschach-Kappel (DE);
Christian Thren, Bad Friedrichshall
(DE); **Armin Fleig**, St. Georgen (DE);
Alexander Jordan, Pfalzgrafenweiler
(DE)

(73) Assignee: **ebm-papst St. Georgen GmbH & Co.**
KG, St. Georgen (DE)

(**) Term: **14 Years**

(21) Appl. No.: **29/261,679**

(22) Filed: **Jun. 15, 2006**

Related U.S. Application Data

(63) Continuation-in-part of application No. 11/081,471,
filed on Mar. 15, 2005.

(30) **Foreign Application Priority Data**

Apr. 22, 2006 (DE) 406 02 447

(51) **LOC (8) Cl.** **13-02**

(52) **U.S. Cl.** **D13/179**

(58) **Field of Classification Search** D13/179;
165/80.3, 80.4, 121-122; 361/700-704;
257/706-704, 718-722; 174/16.3

See application file for complete search history.

(56) **References Cited**

U.S. PATENT DOCUMENTS

D403,760 S * 1/1999 Kodaira et al. D13/179
6,480,383 B2 * 11/2002 Kodaira et al. 165/80.3
6,671,172 B2 * 12/2003 Carter et al. 165/80.3

D509,485 S * 9/2005 Mochizuki et al. D13/179
D516,526 S * 3/2006 Watanabe et al. D13/179
D531,138 S * 10/2006 Ness et al. D13/179
2005/0210906 A1 9/2005 Laufer 62/259.2

FOREIGN PATENT DOCUMENTS

DE 20 2005 003 832 U1 6/2005

* cited by examiner

Primary Examiner—Brian N Vinson
(74) *Attorney, Agent, or Firm*—Milton Oliver, Esq.; Ware
Fressola Van Der Sluys & Adolphson LLP

(57) **CLAIM**

The ornamental design for a cooling unit, as shown and
described.

DESCRIPTION

FIG. 1 is a perspective view of a first embodiment of the
cooling unit of the invention;

FIG. 2 is a front view thereof;

FIG. 3 is a rear view thereof;

FIG. 4 is a left side view thereof;

FIG. 5 is a right side view thereof;

FIG. 6 is top view thereof; and

FIG. 7 is a bottom view thereof;

FIG. 8 is a perspective view of a second embodiment of the
cooling unit of the invention;

FIG. 9 is a front view thereof;

FIG. 10 is a rear view thereof;

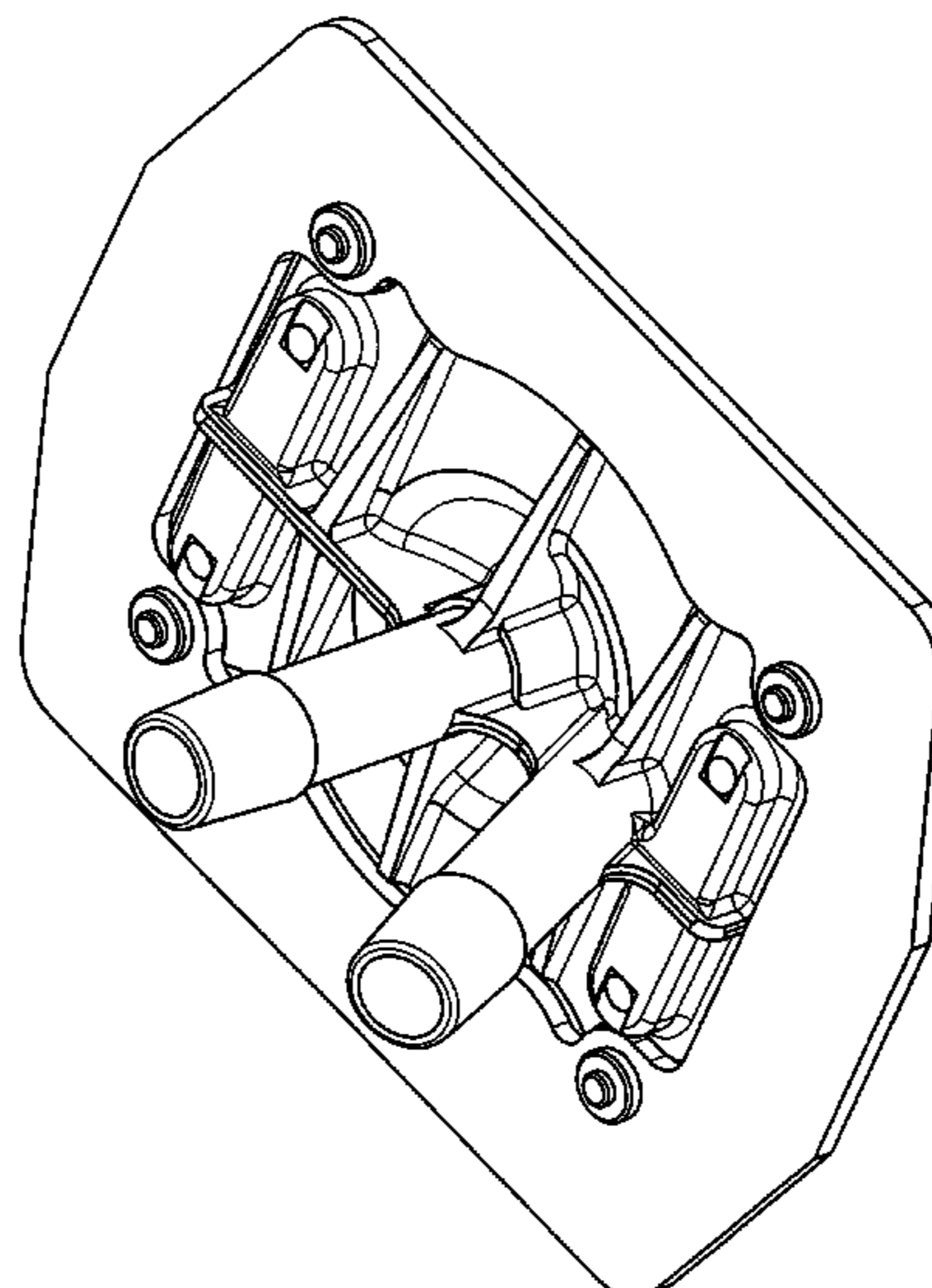
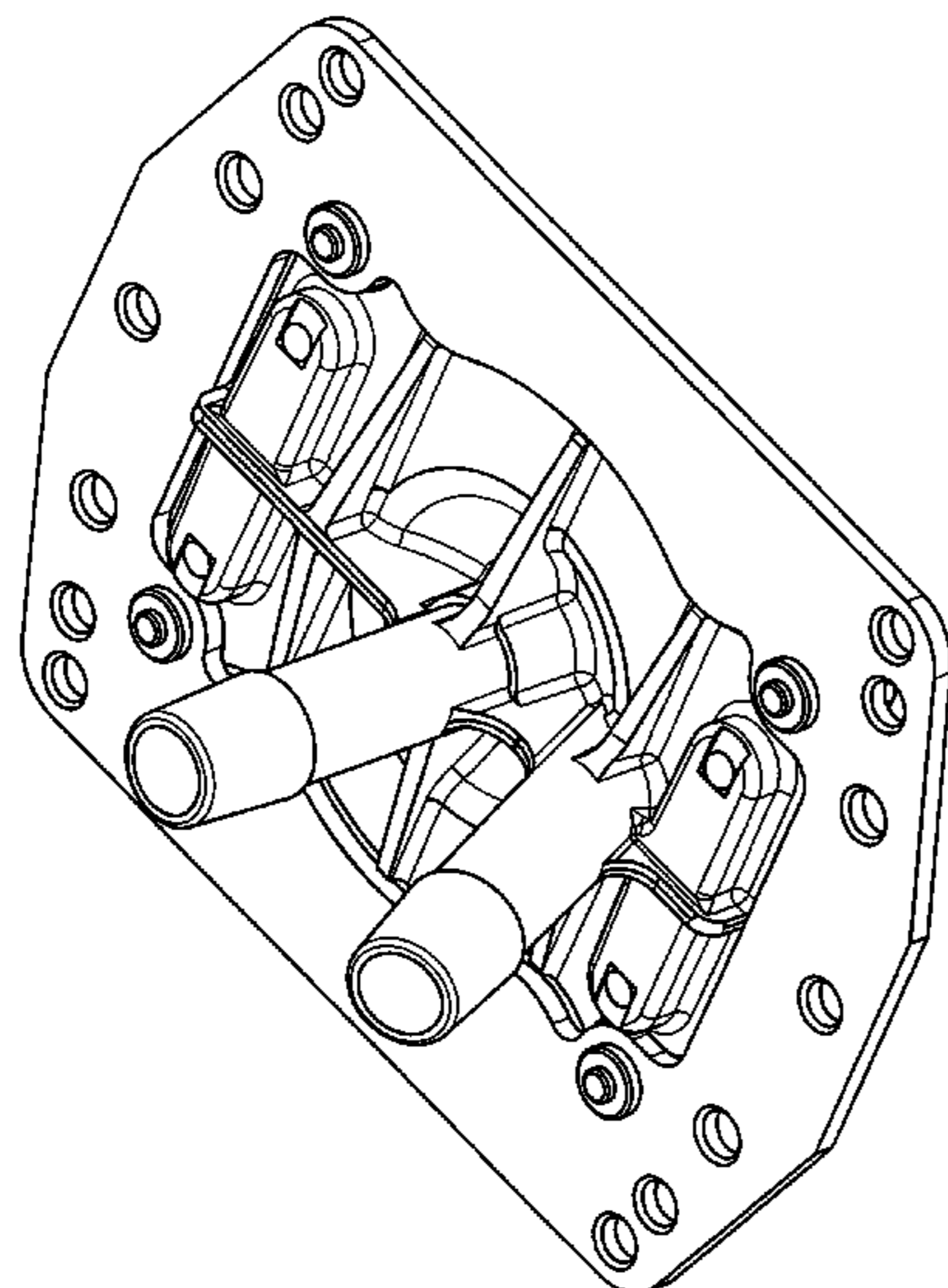
FIG. 11 is a left side view thereof;

FIG. 12 is a right side view thereof;

FIG. 13 is a top view thereof; and,

FIG. 14 is a bottom view thereof.

1 Claim, 14 Drawing Sheets



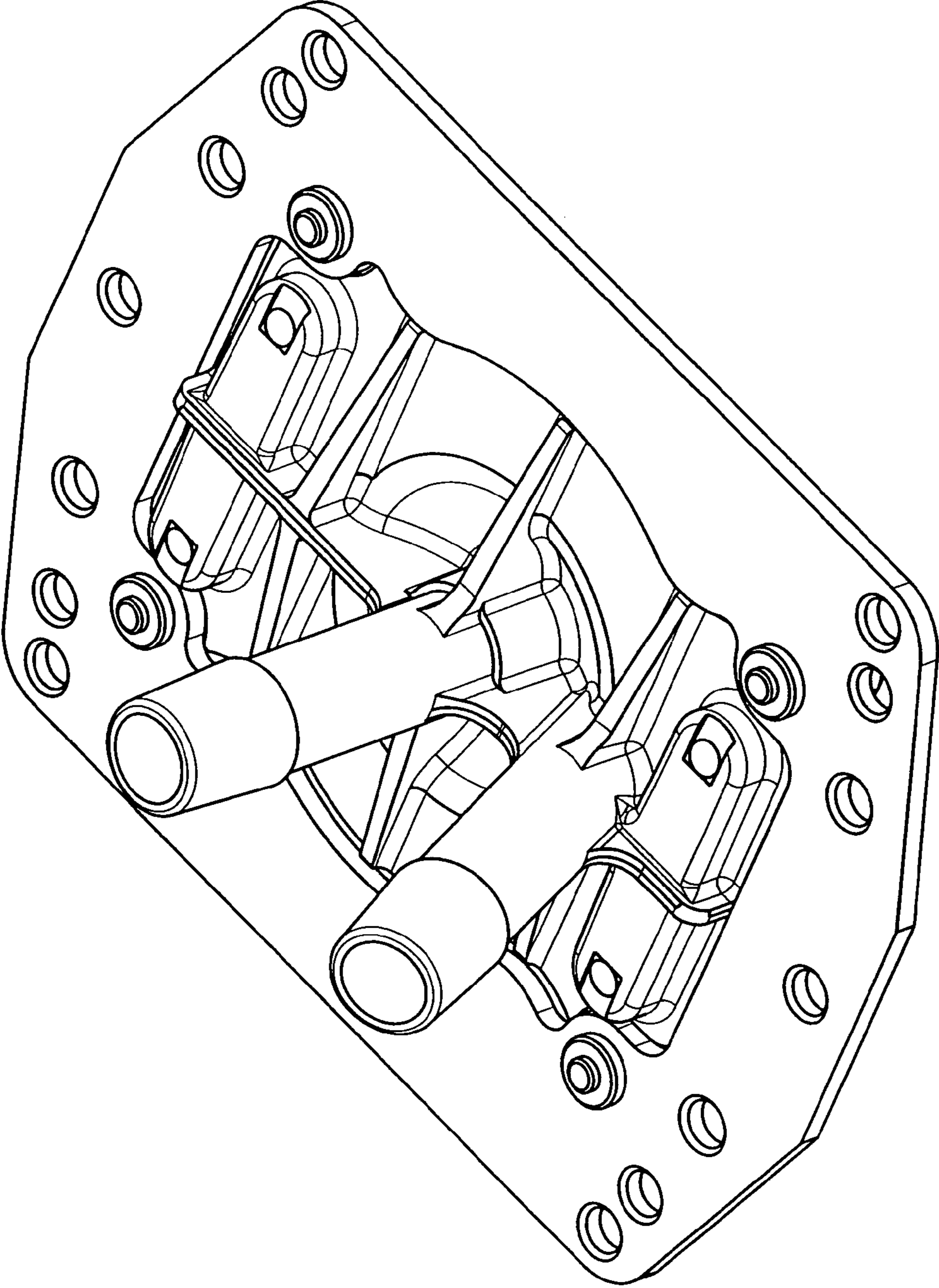


FIG. 1

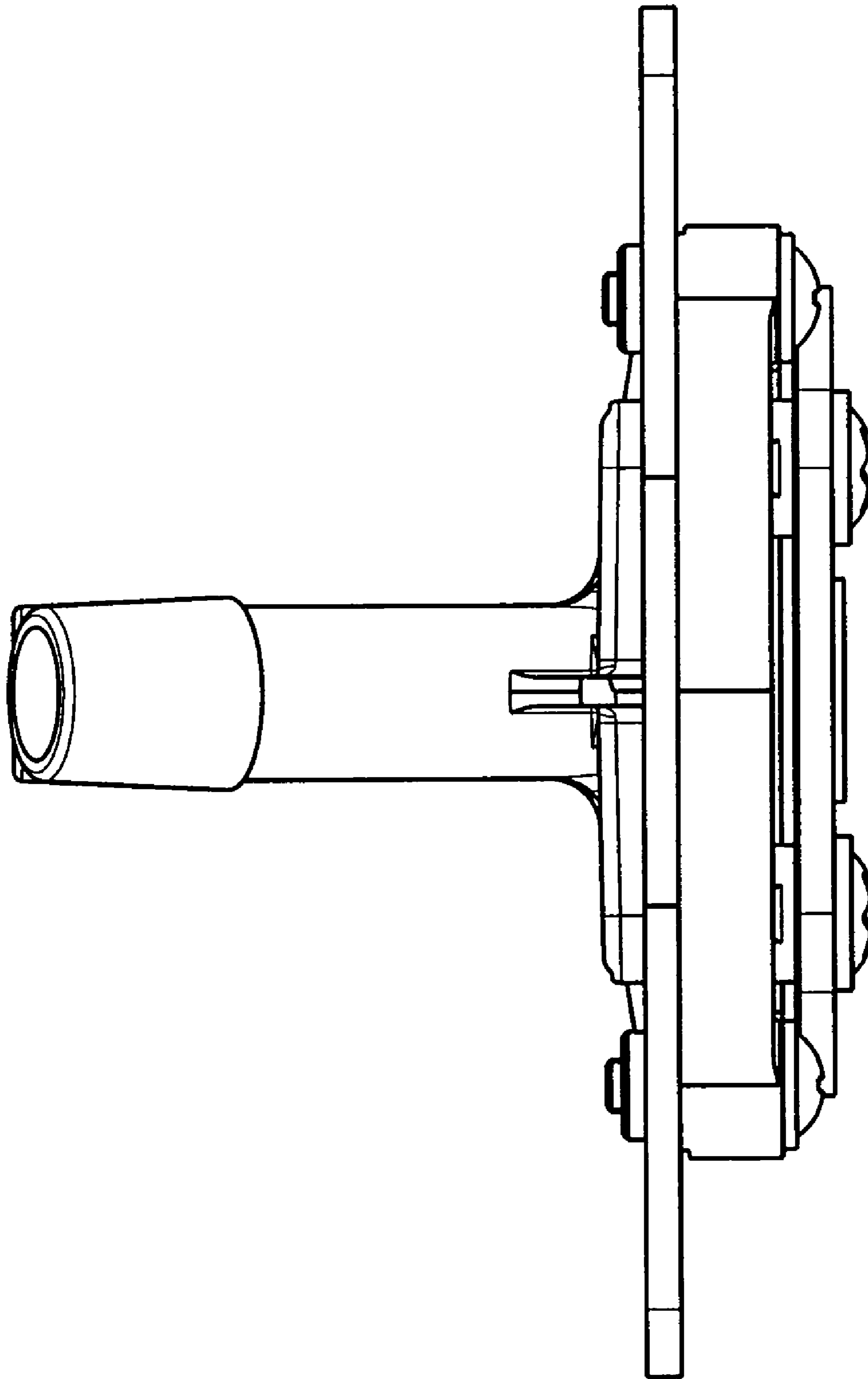


FIG. 2

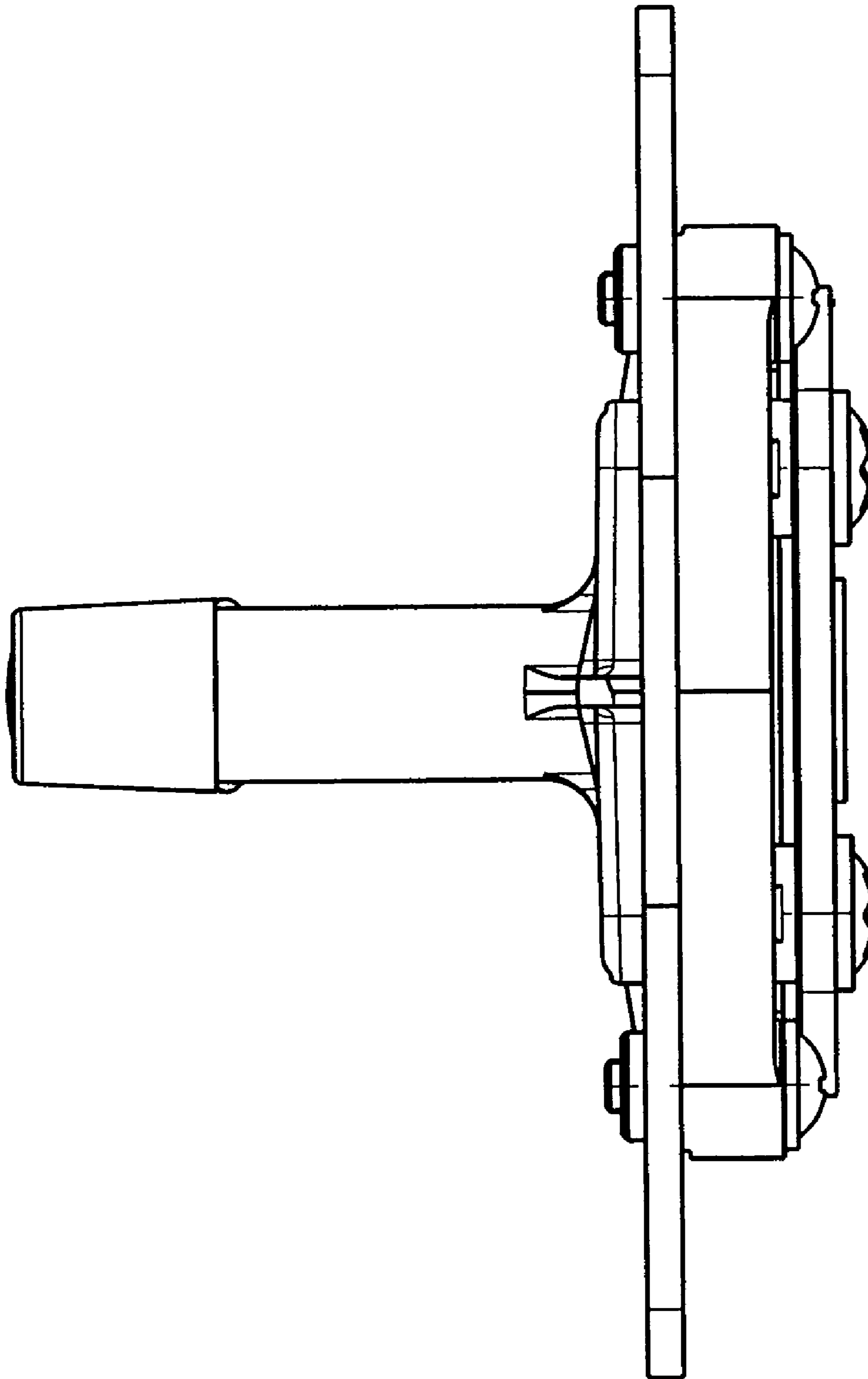


FIG. 3

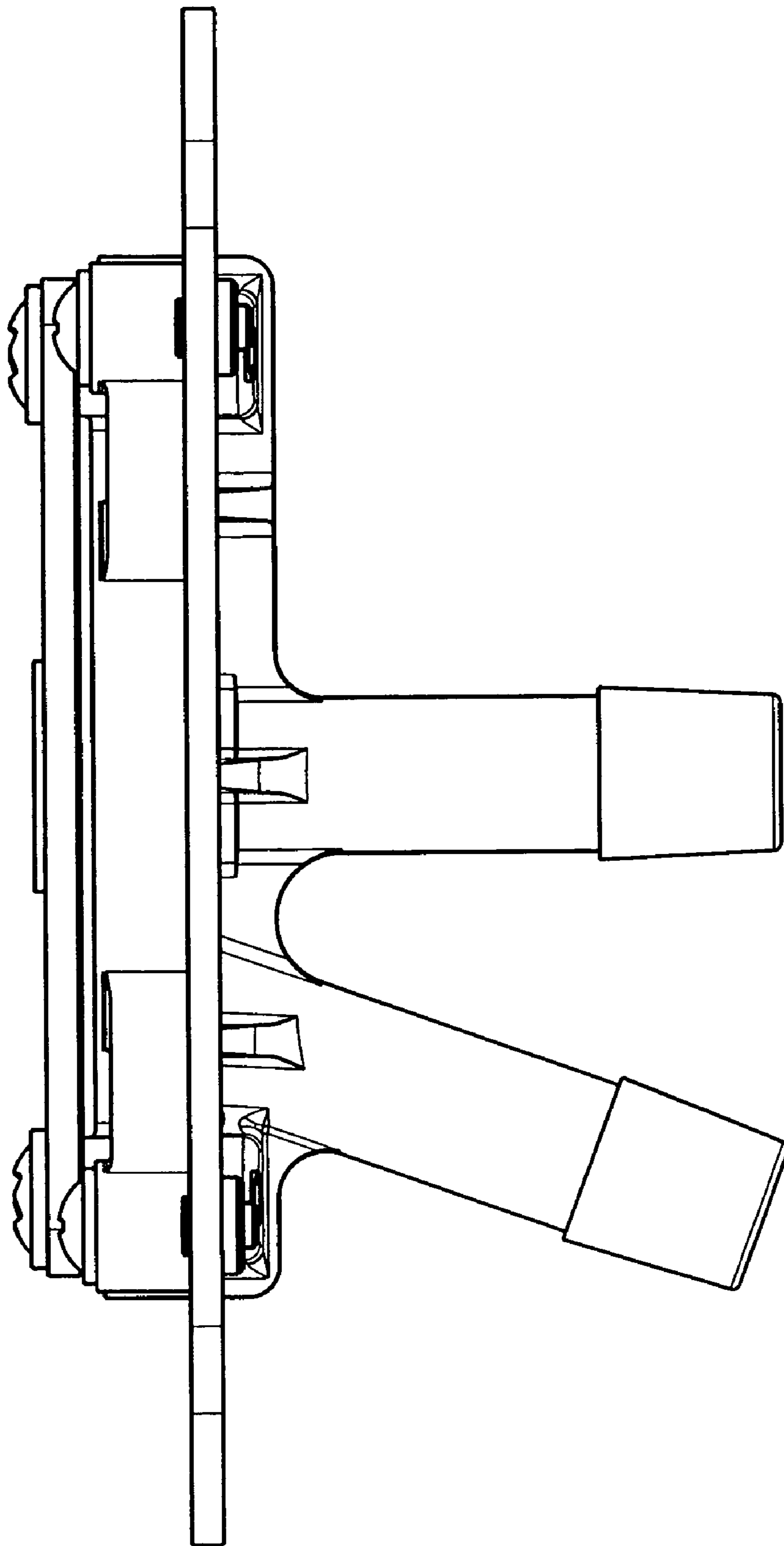


FIG. 4

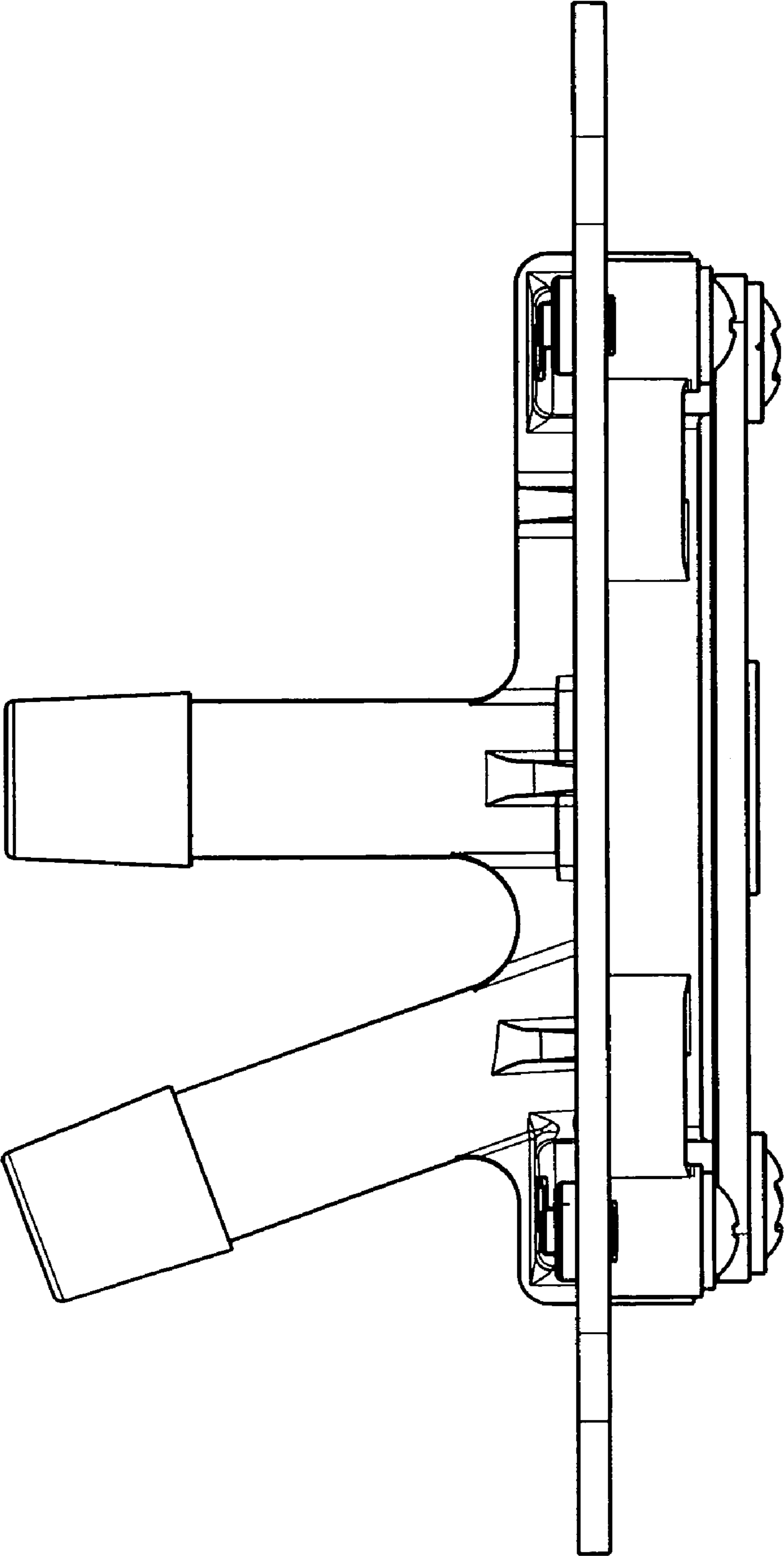


FIG. 5

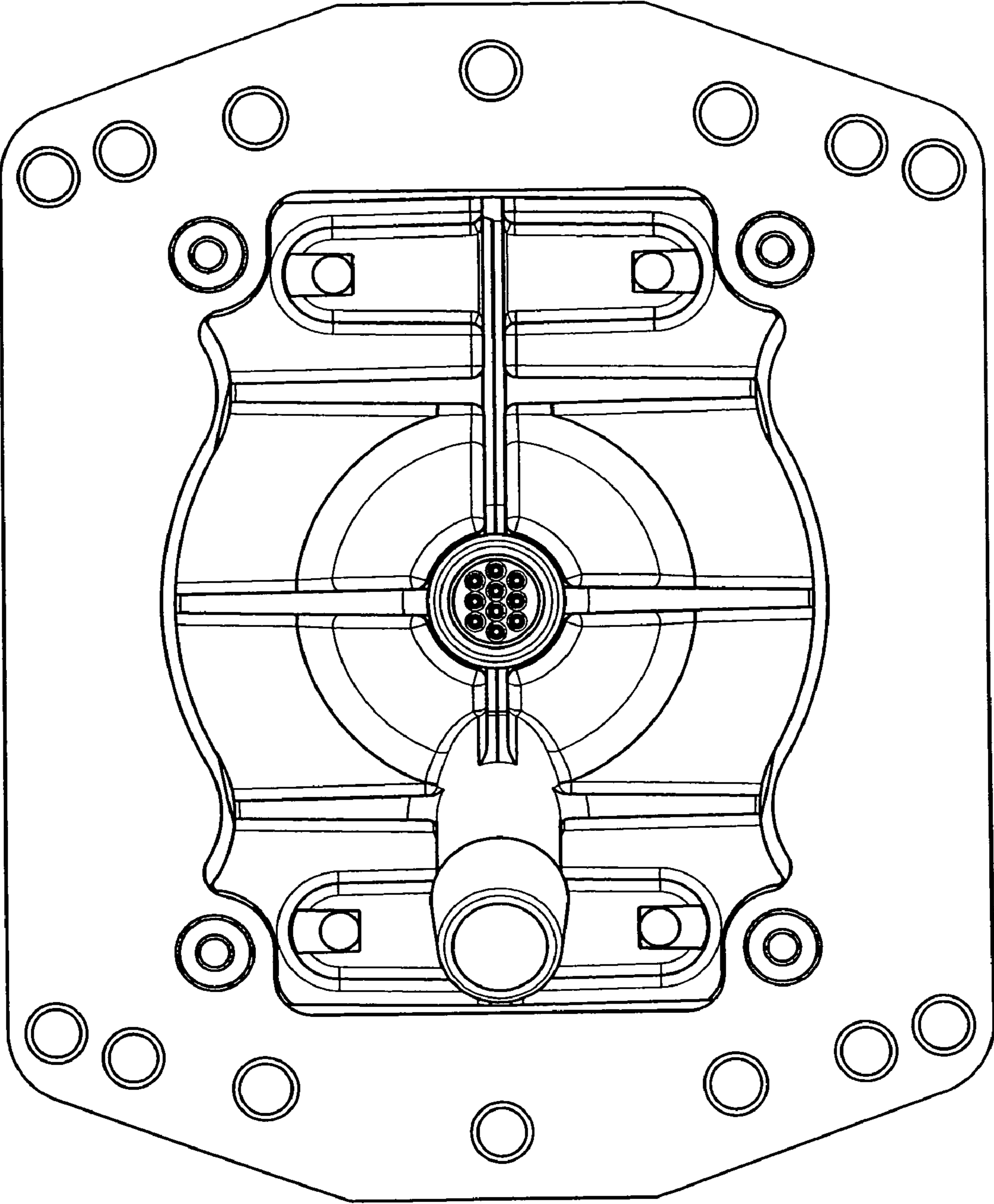


FIG. 6

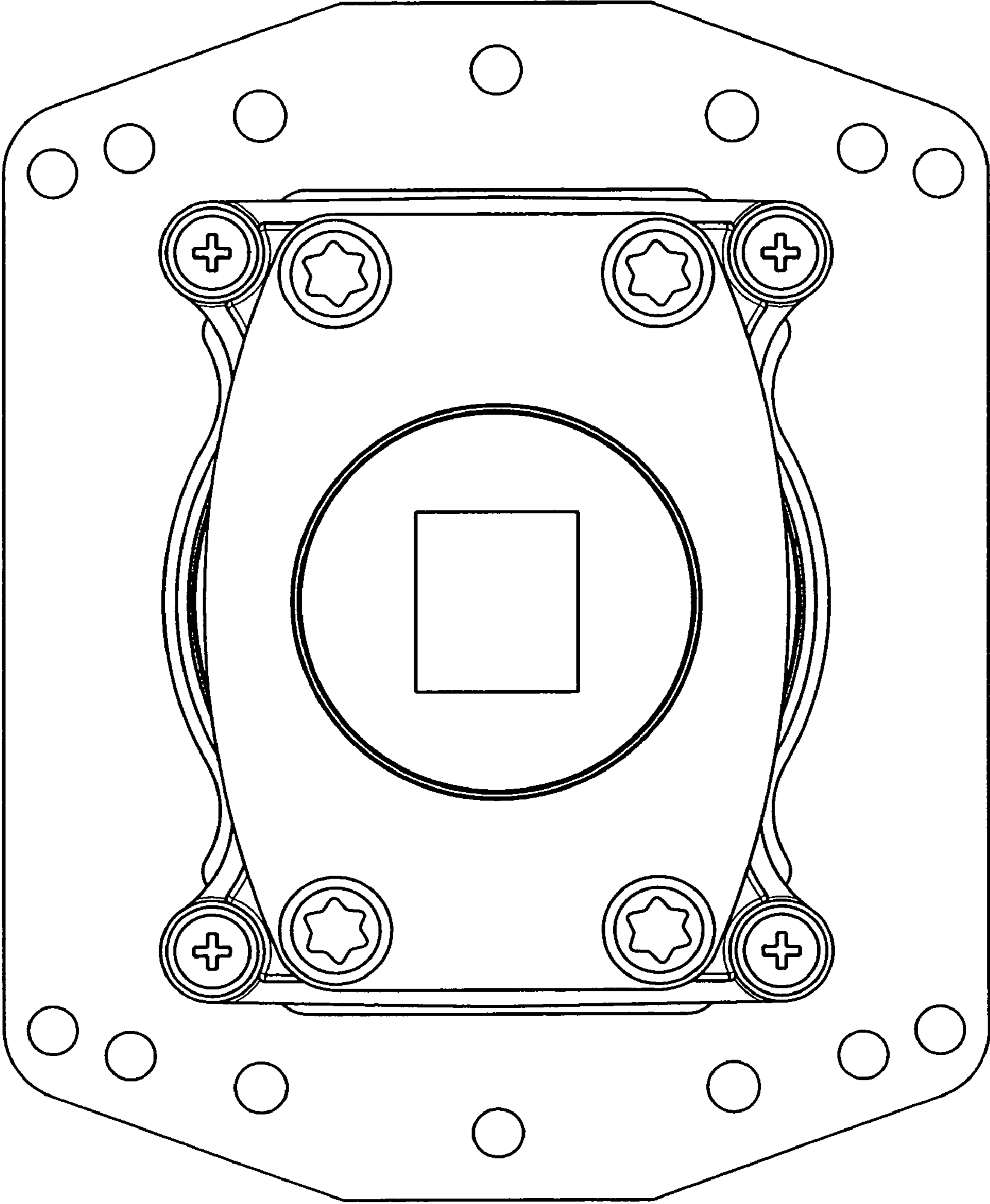


FIG. 7

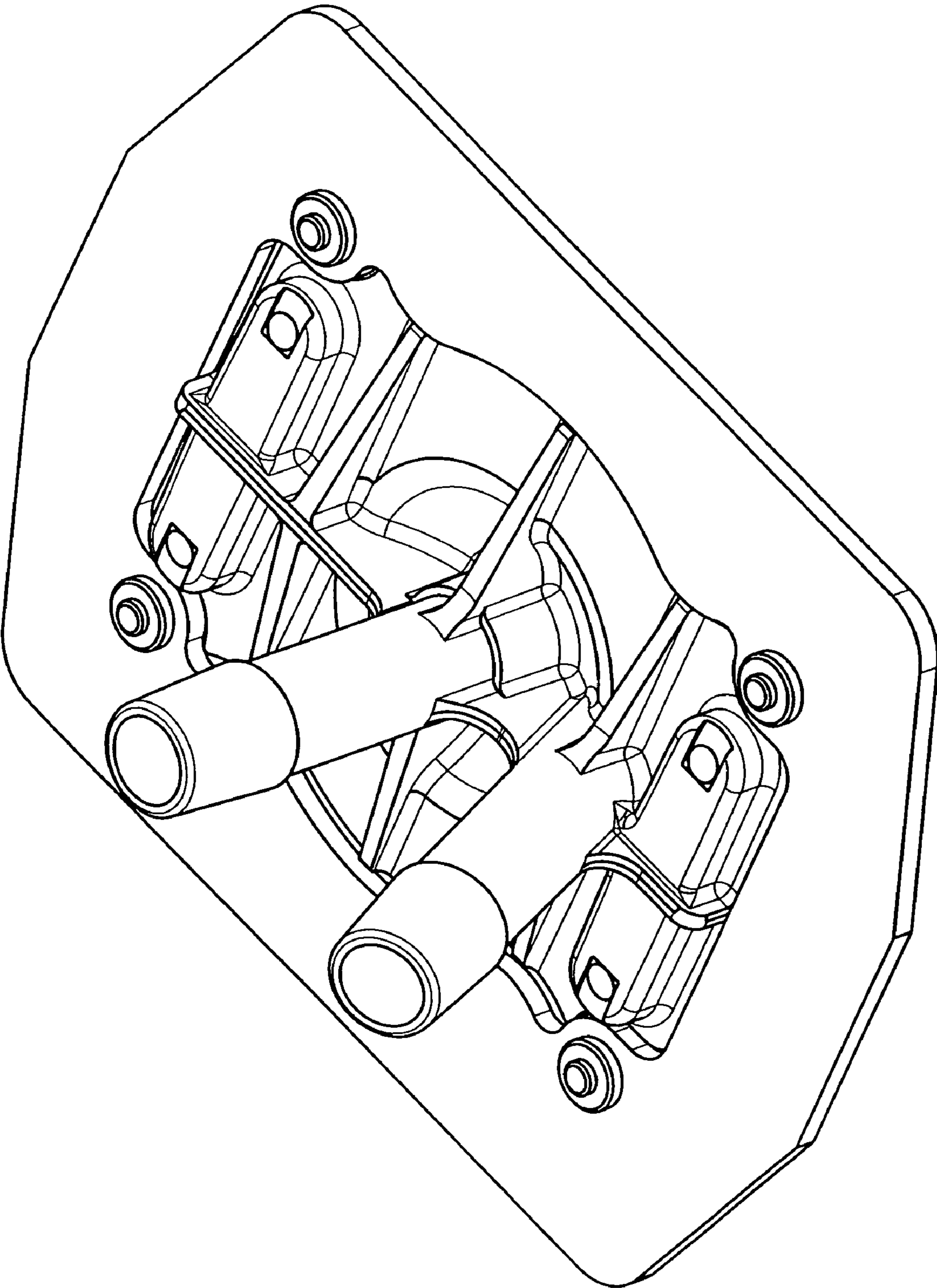


FIG. 8

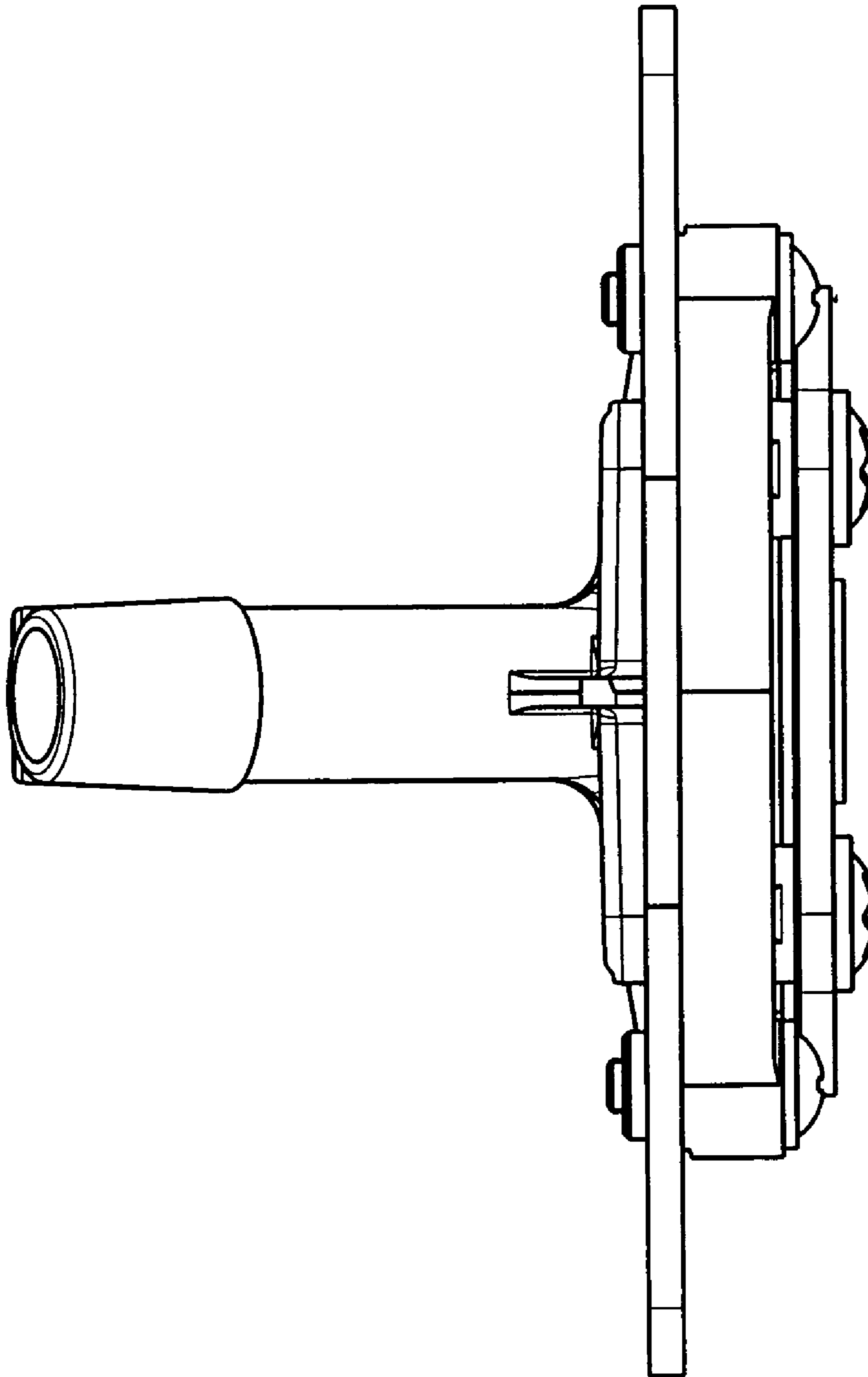


FIG. 9

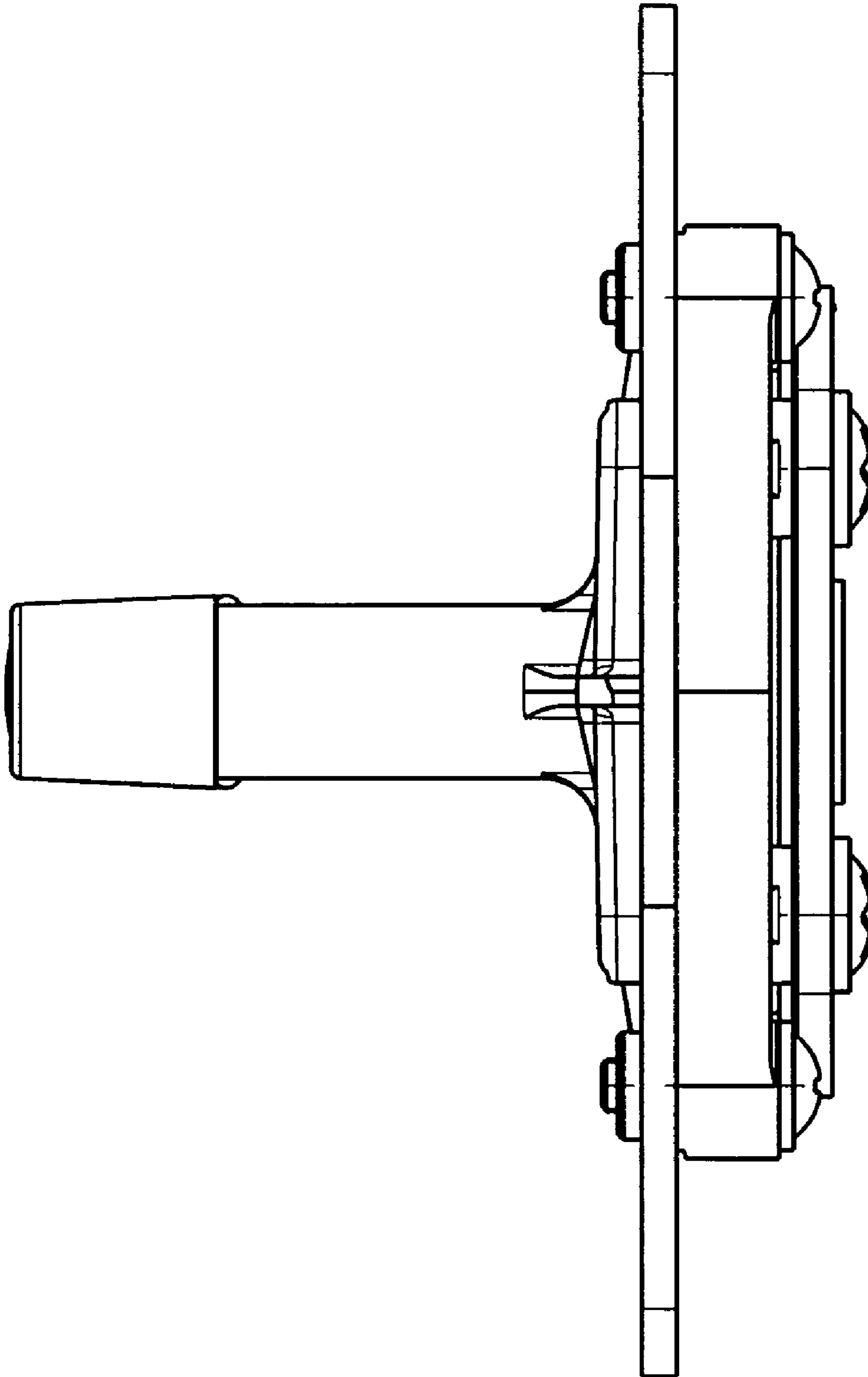


FIG. 10

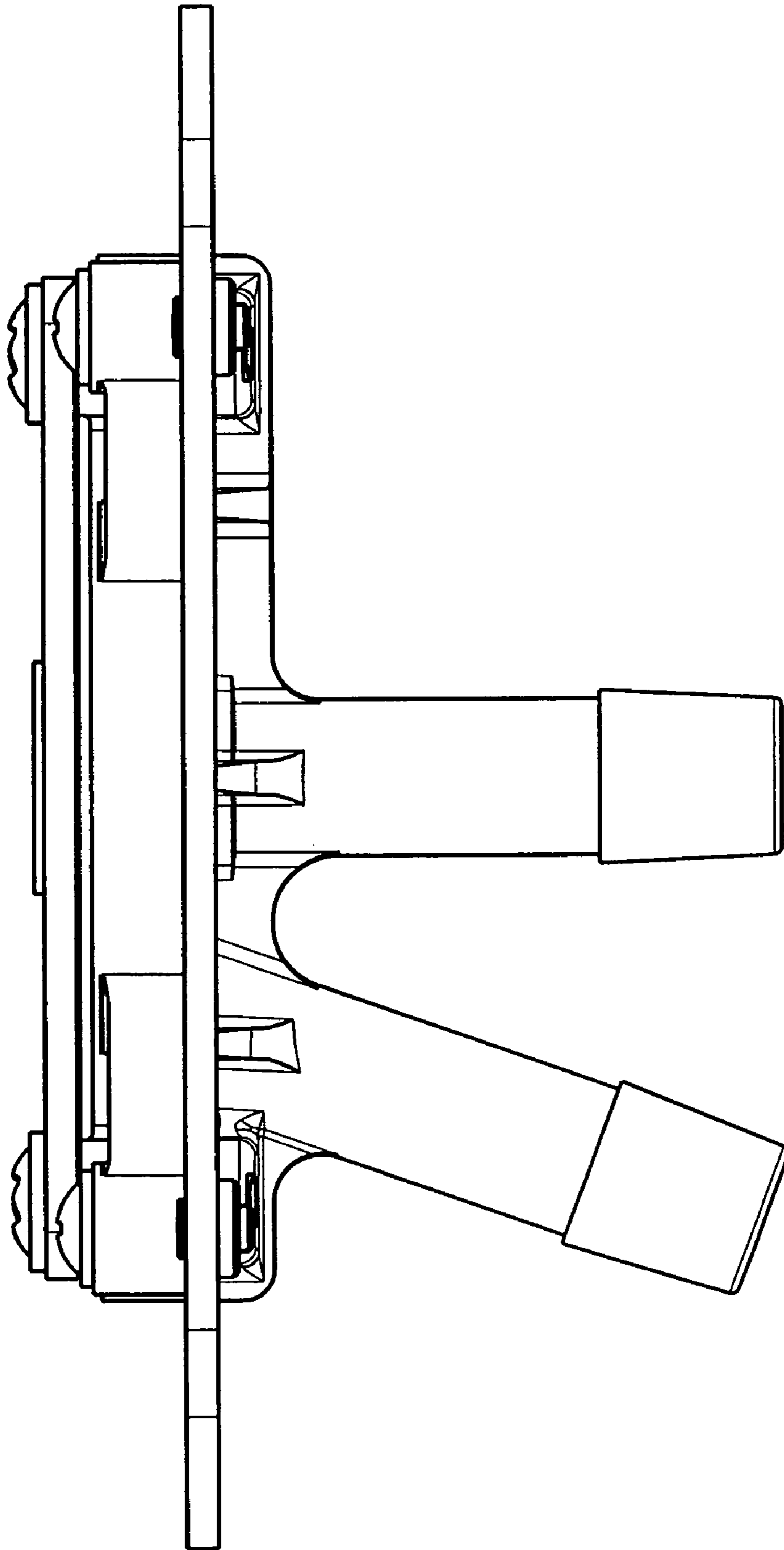


FIG. 11

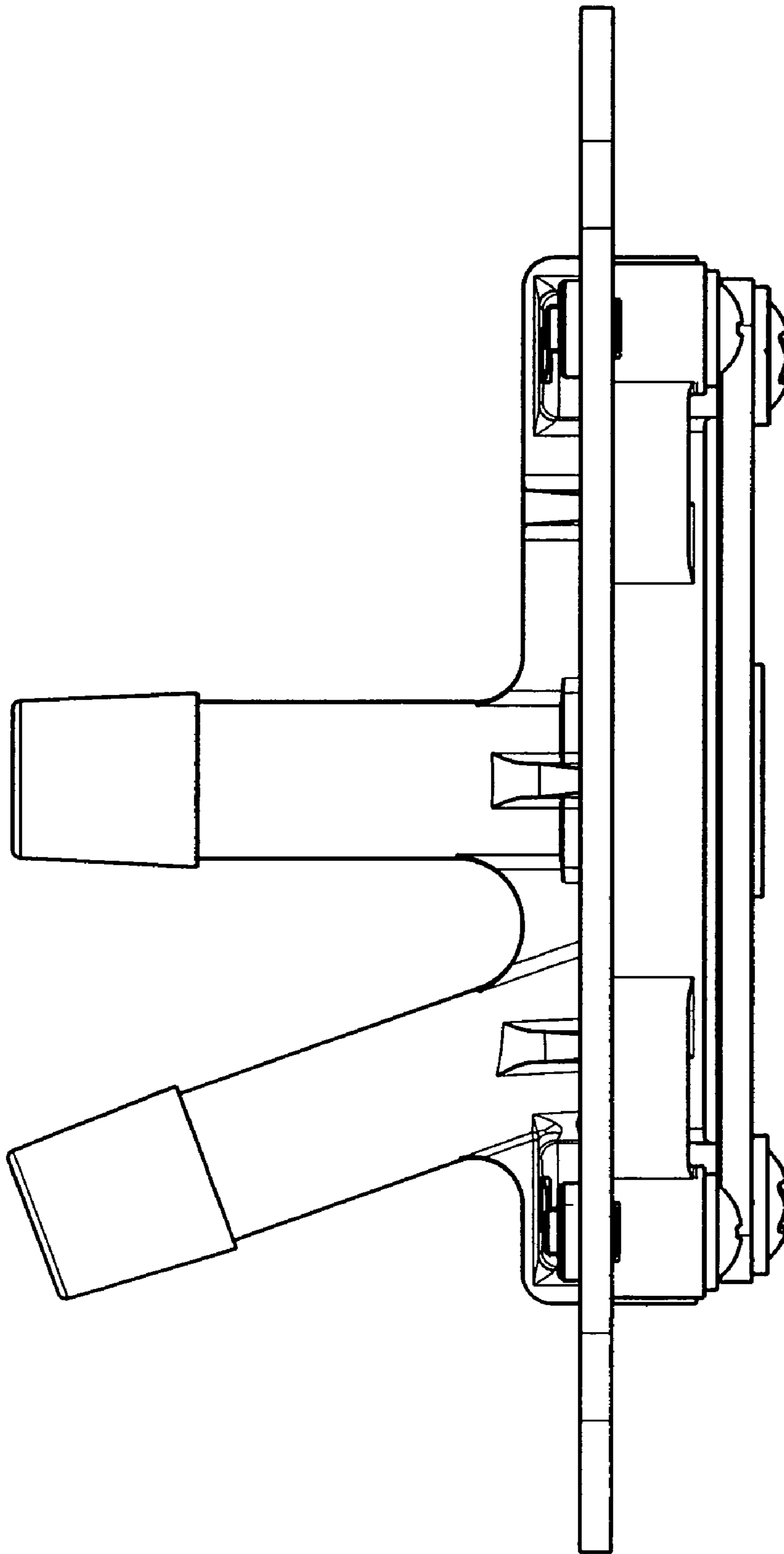


FIG. 12

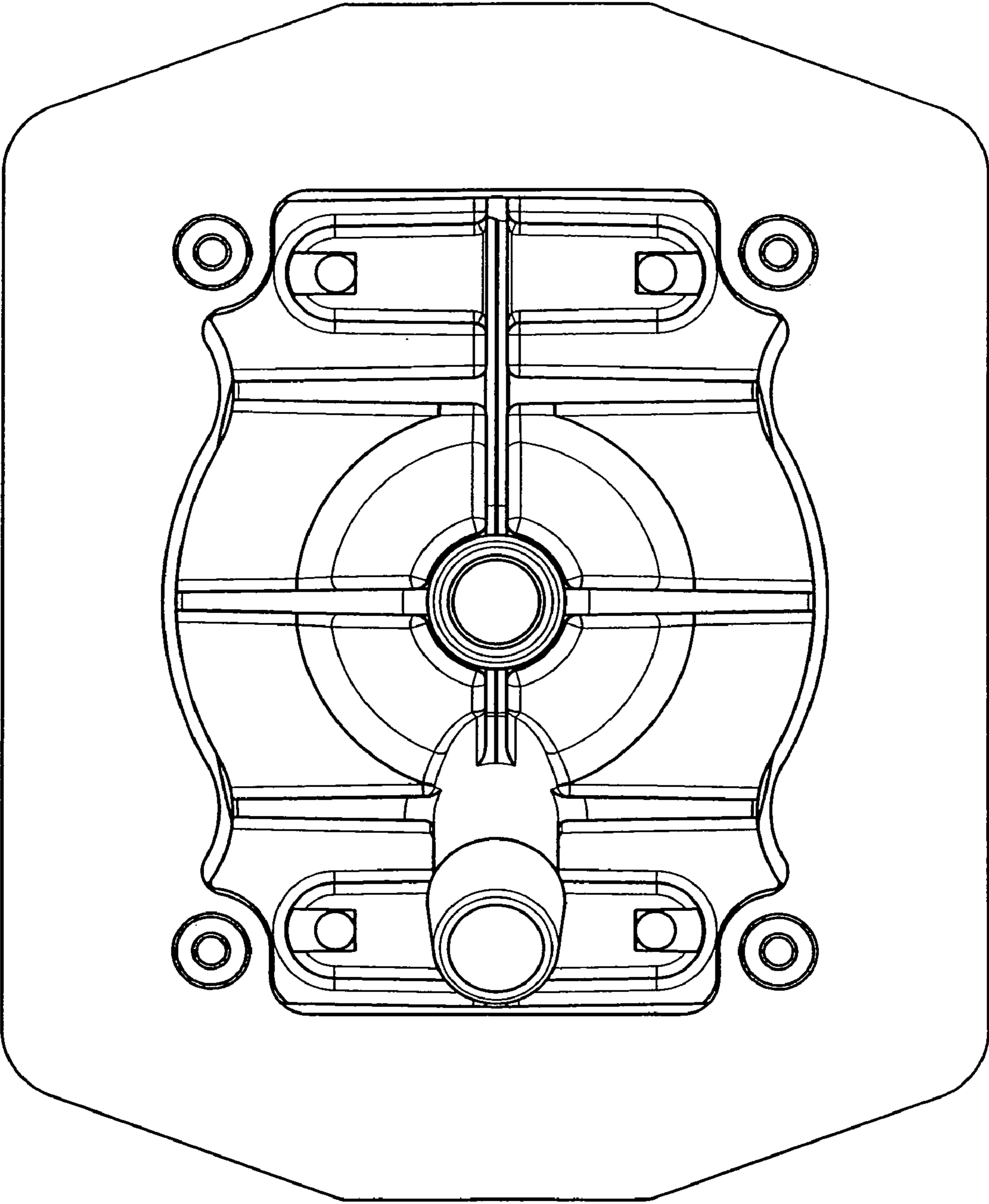


FIG. 13

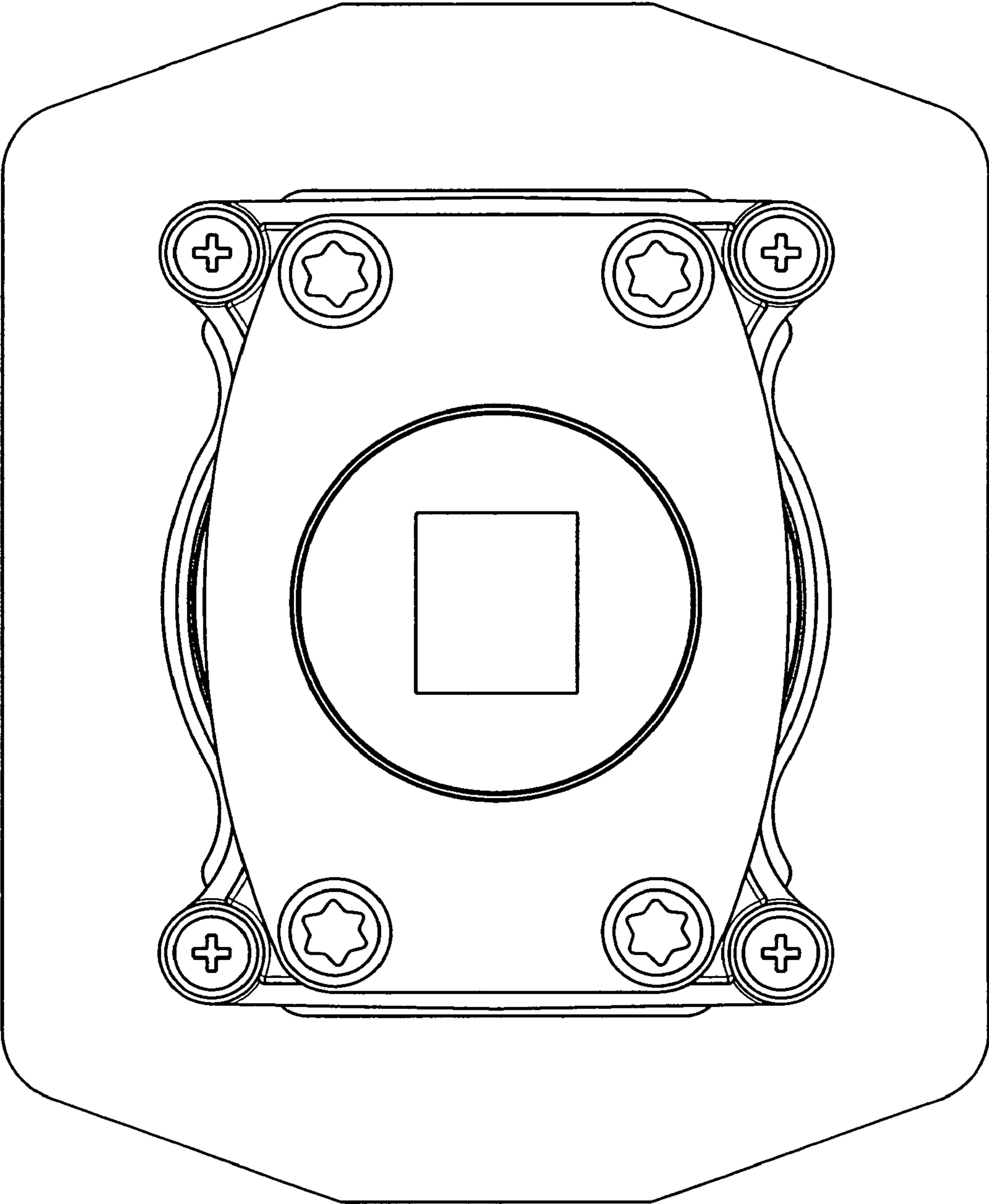


FIG. 14