



US00D556701S

(12) **United States Design Patent**
Nohara et al.

(10) **Patent No.:** **US D556,701 S**

(45) **Date of Patent:** **** Dec. 4, 2007**

(54) **REMOTE CONTROLLER FOR AN
AUTOMOBILE**

(75) Inventors: **Masafumi Nohara**, Kariya (JP);
Yoshimichi Nakamori, Toyota (JP)

(73) Assignees: **Denso Corporation** (JP); **Toyota
Jidosha Kabushiki Kaisha** (JP)

(**) Term: **14 Years**

(21) Appl. No.: **29/261,817**

(22) Filed: **Jun. 21, 2006**

(30) **Foreign Application Priority Data**

Dec. 28, 2005 (JP) 2005-038722

(51) **LOC (8) Cl.** **13-03**

(52) **U.S. Cl.** **D13/168**

(58) **Field of Classification Search** D13/168;
D10/104, 106; D3/207, 208; 340/426.1,
340/426.18, 426.36, 5.23, 5.25, 5.61, 5.62,
340/5.64, 5.72, 825.69, 825.72; 701/2
See application file for complete search history.

(56) **References Cited**

U.S. PATENT DOCUMENTS

5,614,885 A * 3/1997 Van Lente et al. 340/525
D406,107 S * 2/1999 Flick D13/168
D413,579 S * 9/1999 Mullet et al. D13/168
D419,474 S * 1/2000 Issa et al. D10/104
D441,185 S * 5/2001 Shimizu et al. D3/207

D494,144 S * 8/2004 Guzman et al. D13/168
D503,687 S * 4/2005 Hoffman D13/168
D515,040 S * 2/2006 Jones et al. D13/168
D515,515 S * 2/2006 Li D13/168
D528,990 S * 9/2006 Li D13/168
7,202,775 B2 * 4/2007 Yezerky et al. 340/426.1
2007/0080780 A1 * 4/2007 Shen 340/5.61

* cited by examiner

Primary Examiner—Selina Sikder

(74) *Attorney, Agent, or Firm*—Nixon & Vanderhye PC

(57) **CLAIM**

The ornamental design for a remote controller for an auto-
mobile, as shown and described.

DESCRIPTION

FIG. 1 is a front perspective view of a remote controller for
an automobile showing our new design;

FIG. 2 is a rear perspective view thereof;

FIG. 3 is a front elevational view thereof;

FIG. 4 is a rear elevational view thereof;

FIG. 5 is a top plan view thereof;

FIG. 6 is a bottom plan view thereof;

FIG. 7 is a right side elevational view thereof; and,

FIG. 8 is a left side elevational view thereof.

The phantom lines shown in the drawings are for illustrative
purposes only and form no part of the claimed design.

1 Claim, 3 Drawing Sheets

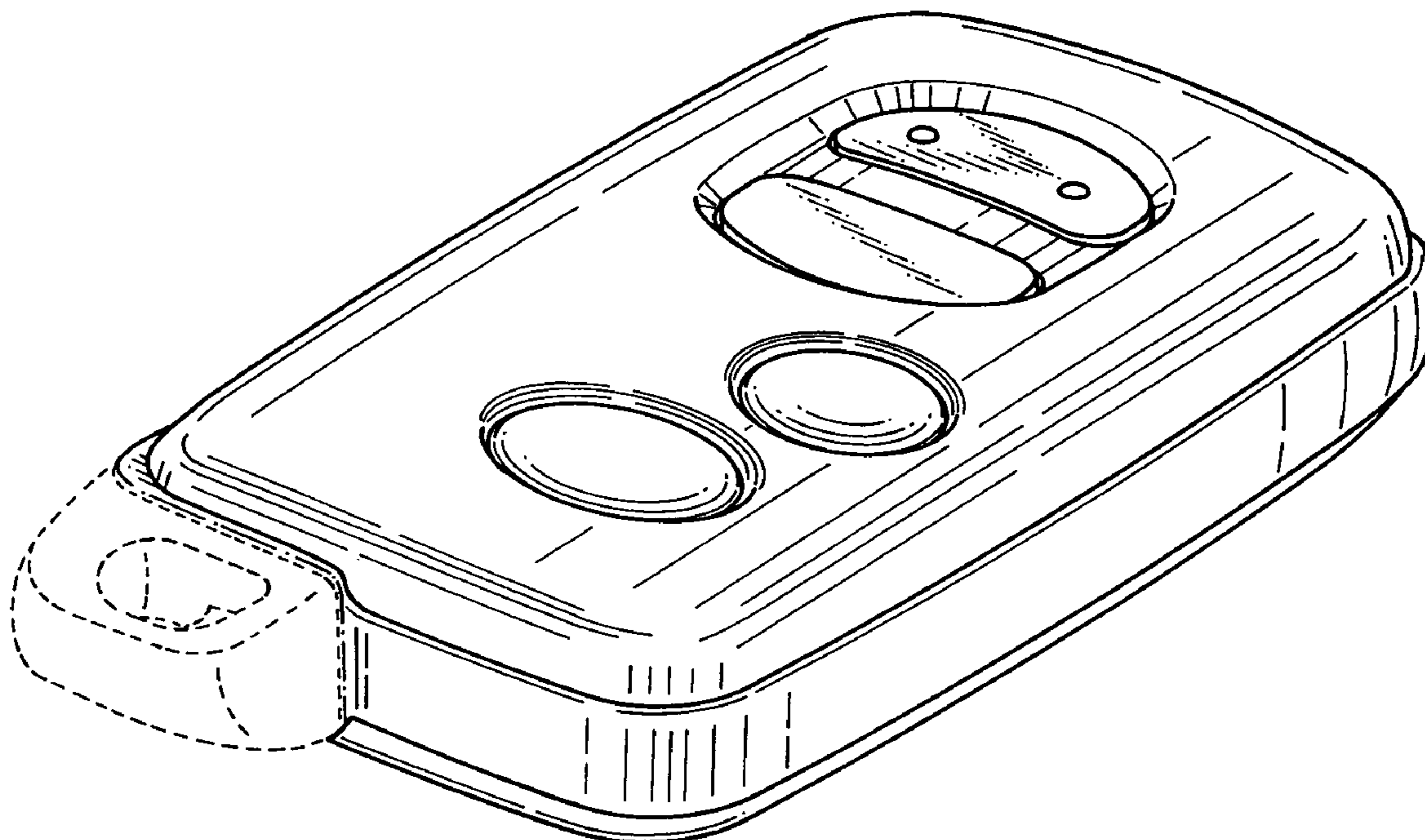


Fig.1

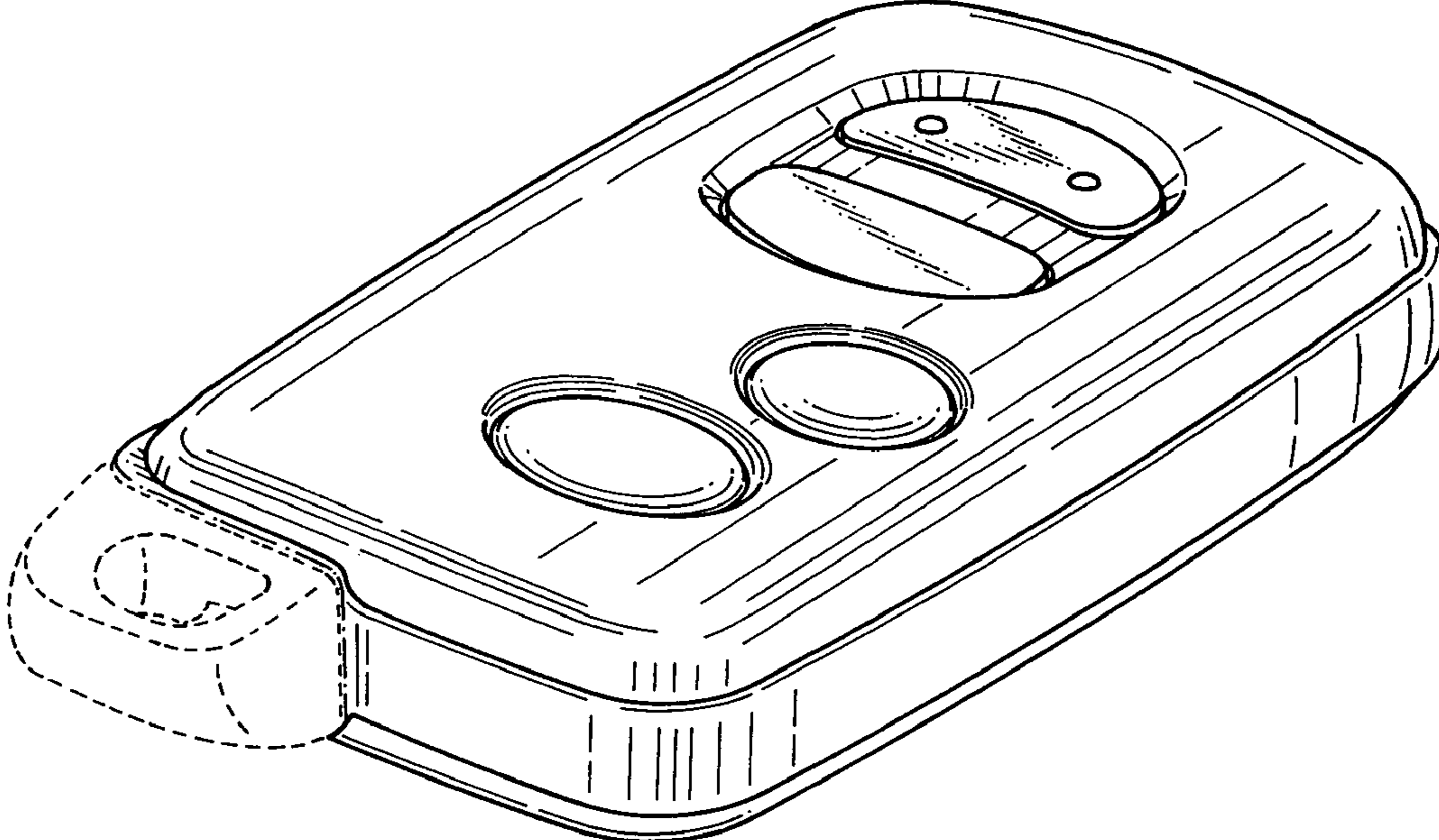


Fig.2

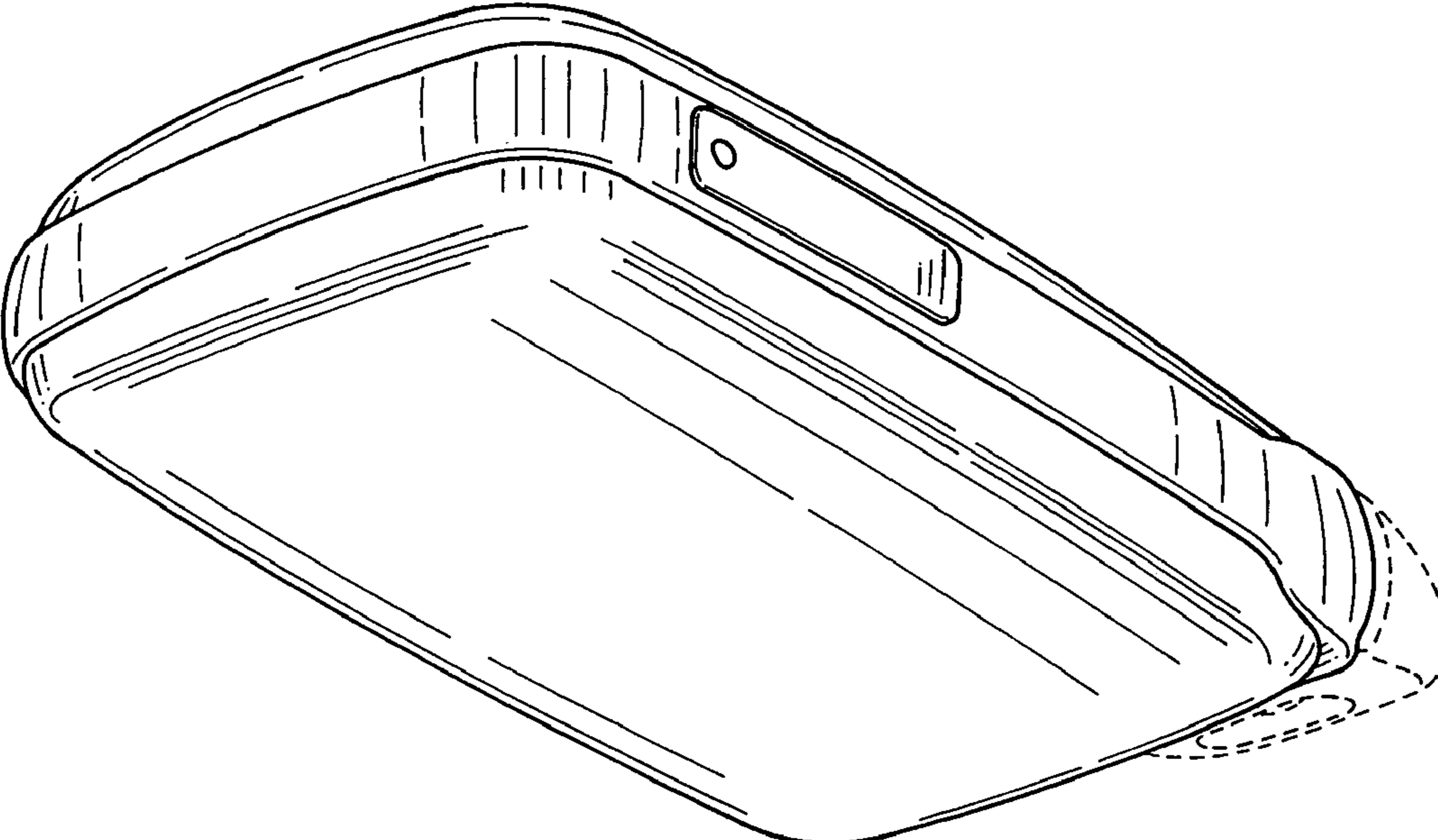


Fig.3

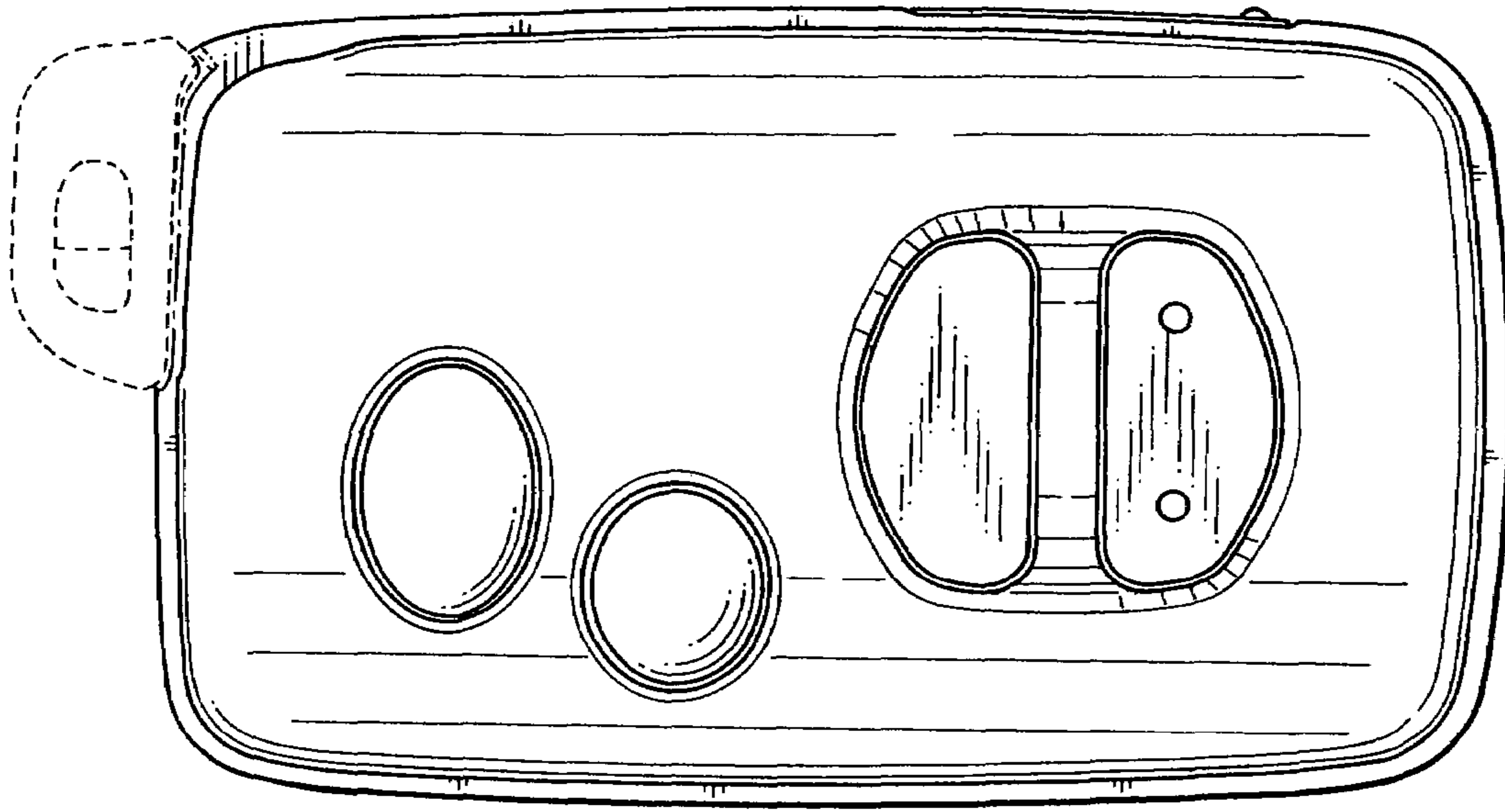


Fig.4

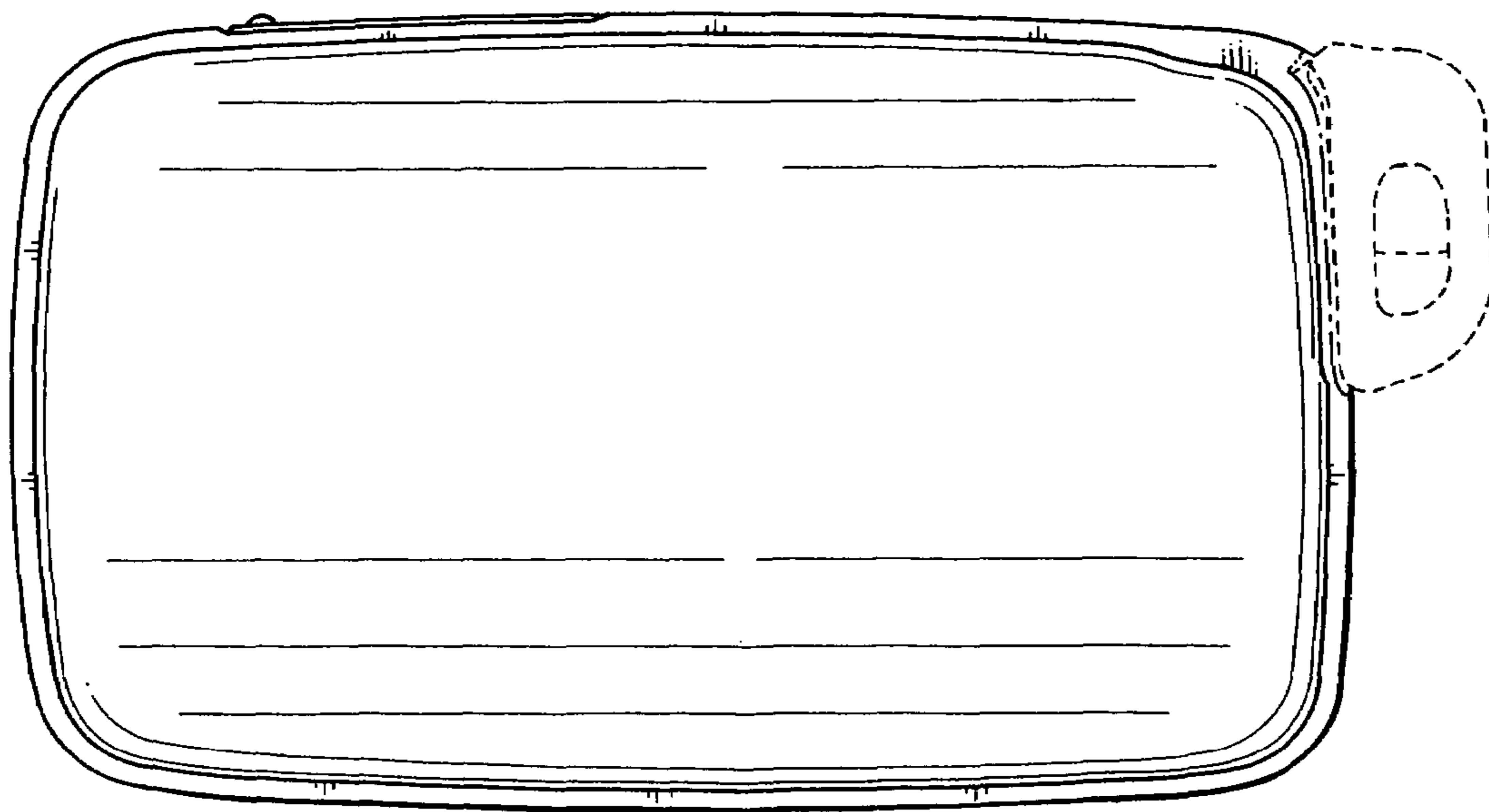


Fig.5

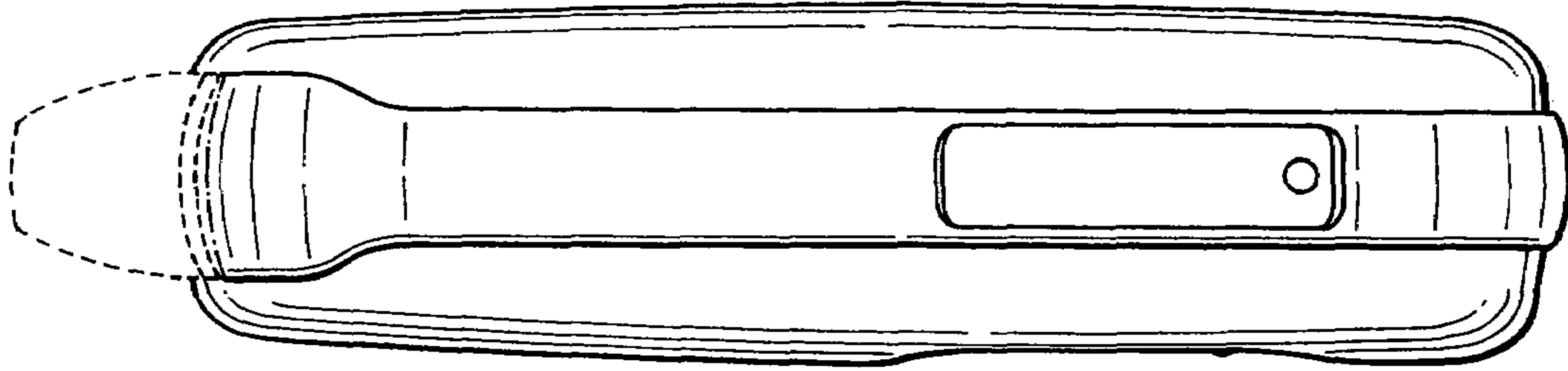


Fig.6

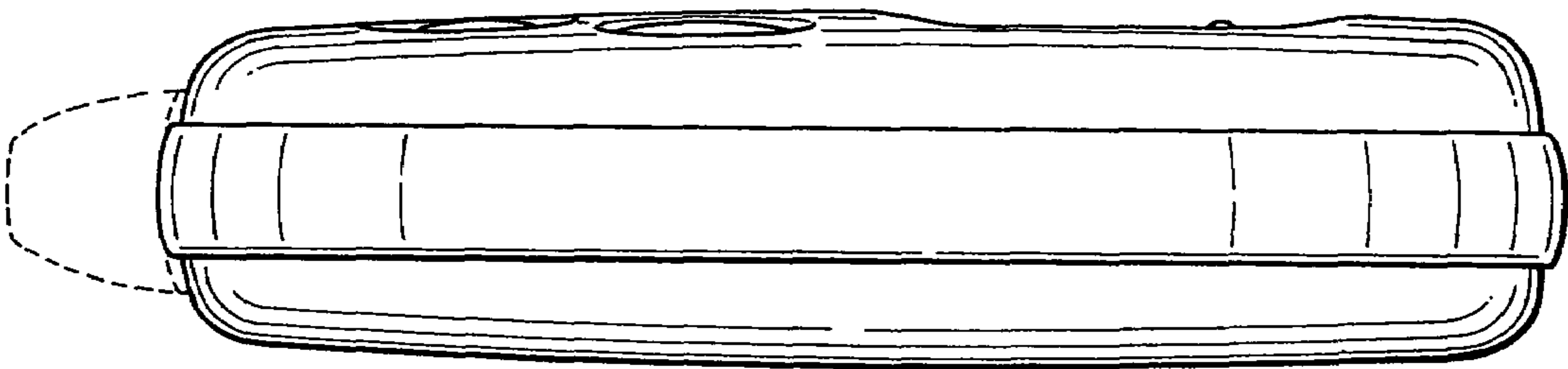


Fig.7

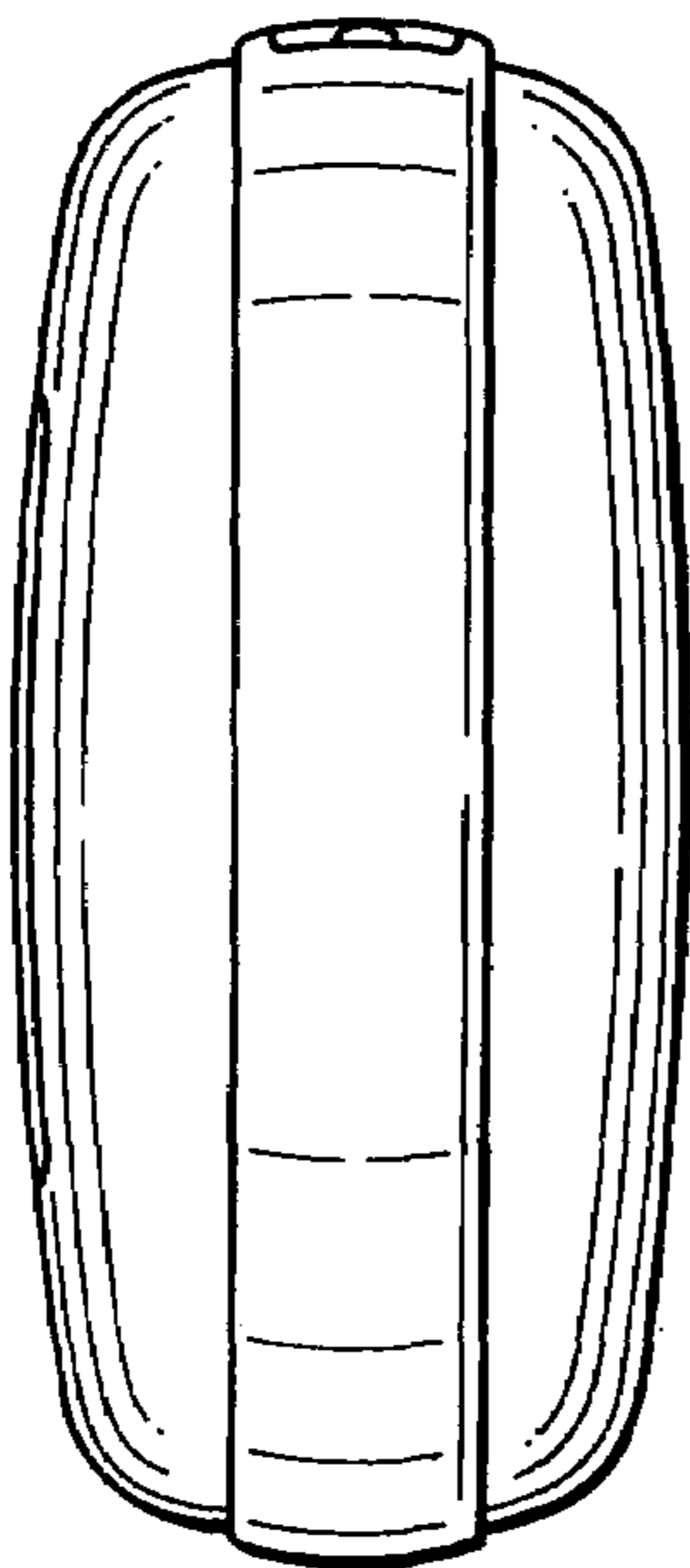


Fig.8

