



US00D556700S

(12) **United States Design Patent**
Igarashi

(10) **Patent No.:** **US D556,700 S**

(45) **Date of Patent:** **** Dec. 4, 2007**

(54) **REMOTE CONTROLLER FOR BATHROOM APPLIANCES**

(75) Inventor: **Ken Igarashi**, Kitakyushu (JP)

(73) Assignee: **Toto Ltd.**, Kitakyushu (JP)

(**) Term: **14 Years**

(21) Appl. No.: **29/257,009**

(22) Filed: **Mar. 29, 2006**

(51) **LOC (8) Cl.** **13-03**

(52) **U.S. Cl.** **D13/168**

(58) **Field of Classification Search** D13/168;
D10/104, 106; D14/218, 371, 374, 375;
D20/10; 340/825.22, 825.24, 825.25, 825.31,
340/825.36, 825.69, 825.71, 825.72; 341/20,
341/22, 23, 34, 176; 345/156, 168, 169;
348/734; 455/92, 95, 100, 128, 151.1-151.4,
455/352-355; 463/39, 42; 379/102.01,
379/102.03; 700/17, 19, 20, 65, 83; 701/2
See application file for complete search history.

(56) **References Cited**

U.S. PATENT DOCUMENTS

D305,647 S * 1/1990 Kato et al. D14/374
D326,847 S * 6/1992 Savio D14/375

D478,051 S * 8/2003 Sagawa D13/168
D495,370 S * 8/2004 Loerop et al. D20/10
2002/0071535 A1 * 6/2002 Da Silva 379/102.01
2002/0080113 A1 * 6/2002 Kim 345/156
2005/0206615 A1 * 9/2005 Tanimoto et al. 345/156

* cited by examiner

Primary Examiner—Selina Sikder

(74) *Attorney, Agent, or Firm*—Birch, Stewart, Kolasch & Birch, LLP

(57) **CLAIM**

The ornamental design for a remote controller for bathroom appliances, as shown and described.

DESCRIPTION

FIG. 1 is a perspective view of the top, front and right side of a remote controller for bathroom appliances showing my new design;

FIG. 2 is a front view thereof;

FIG. 3 is a rear view thereof;

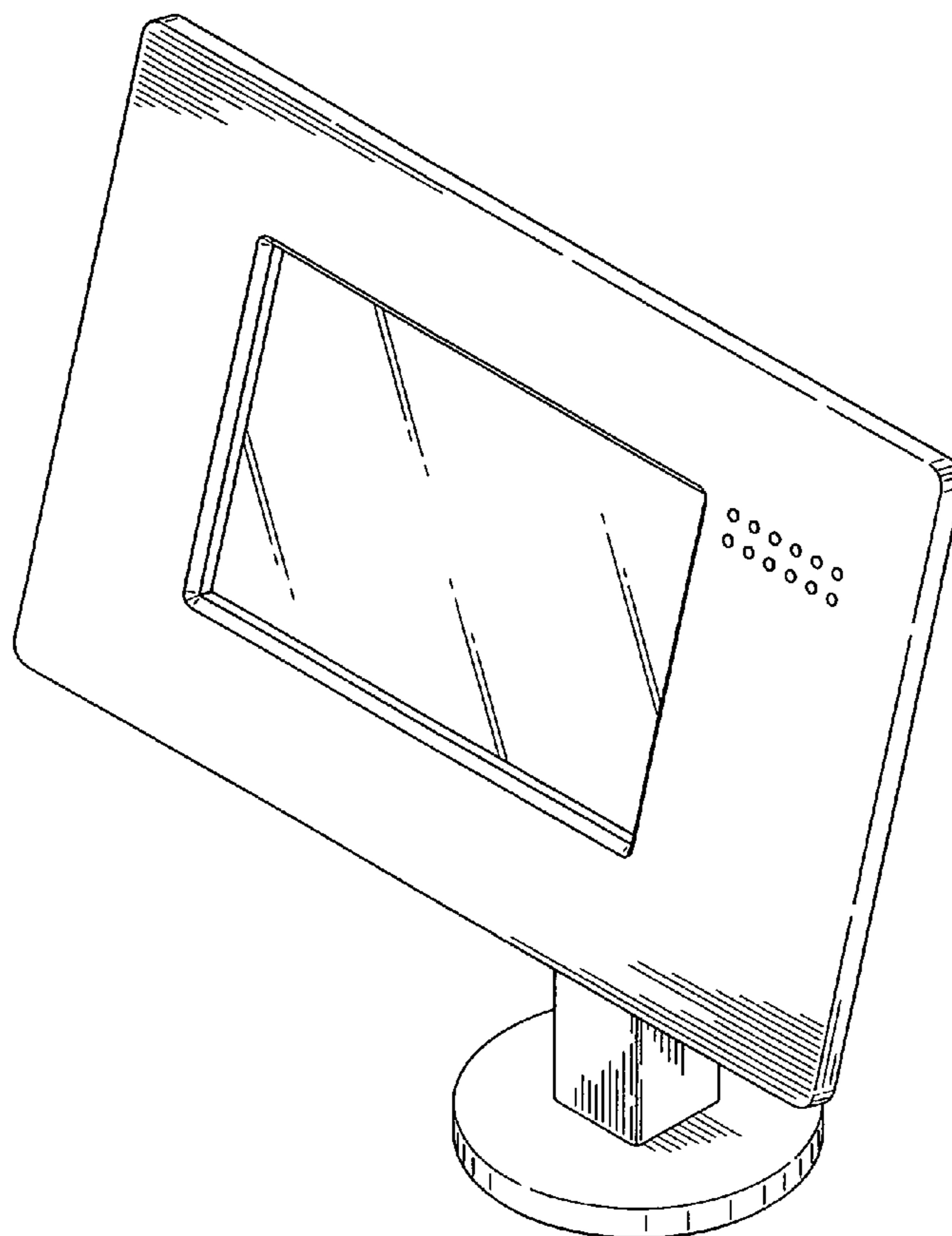
FIG. 4 is a left side view thereof;

FIG. 5 is a right side view thereof;

FIG. 6 is a top plan view thereof; and,

FIG. 7 is a bottom view thereof.

1 Claim, 5 Drawing Sheets



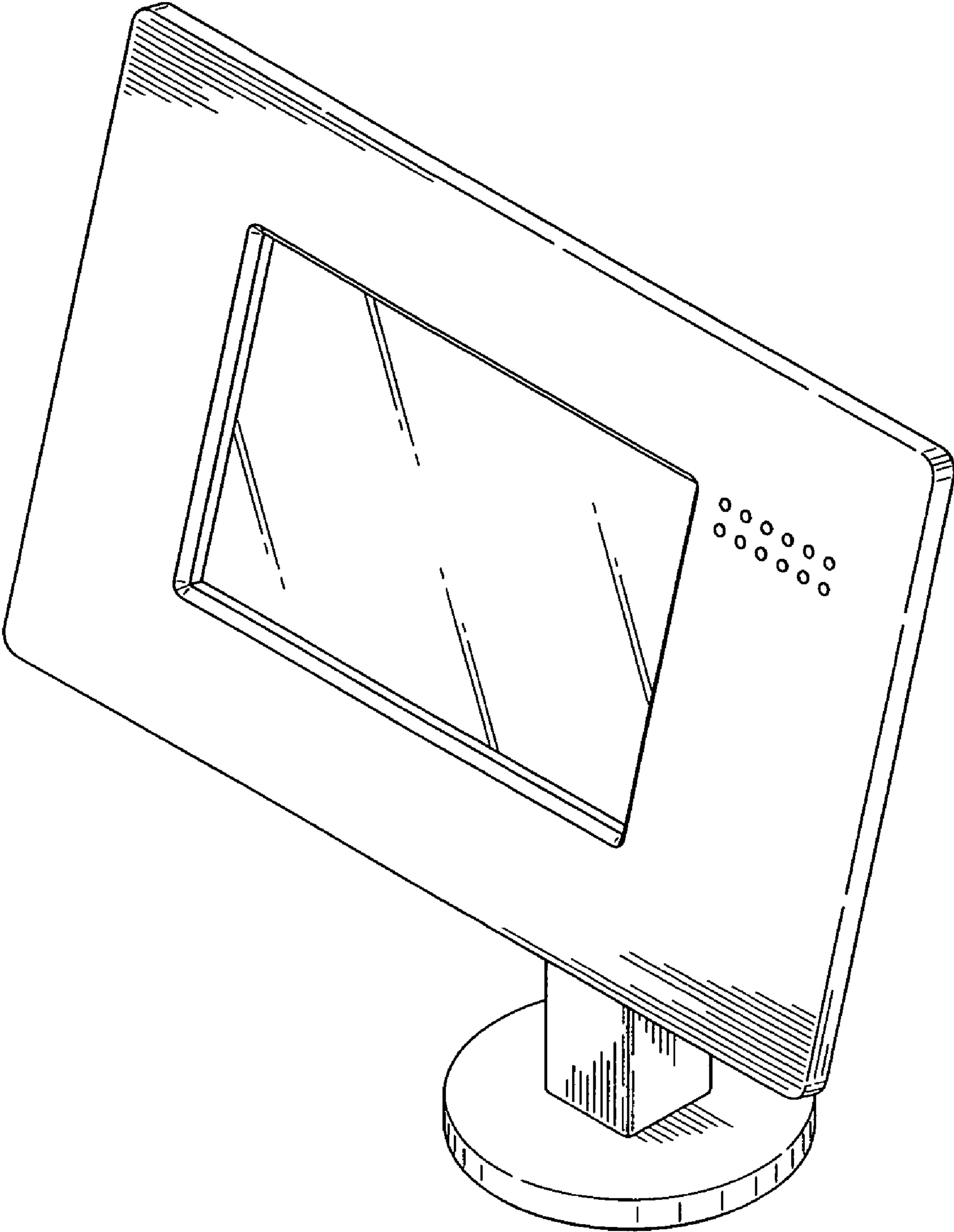


FIG. 1

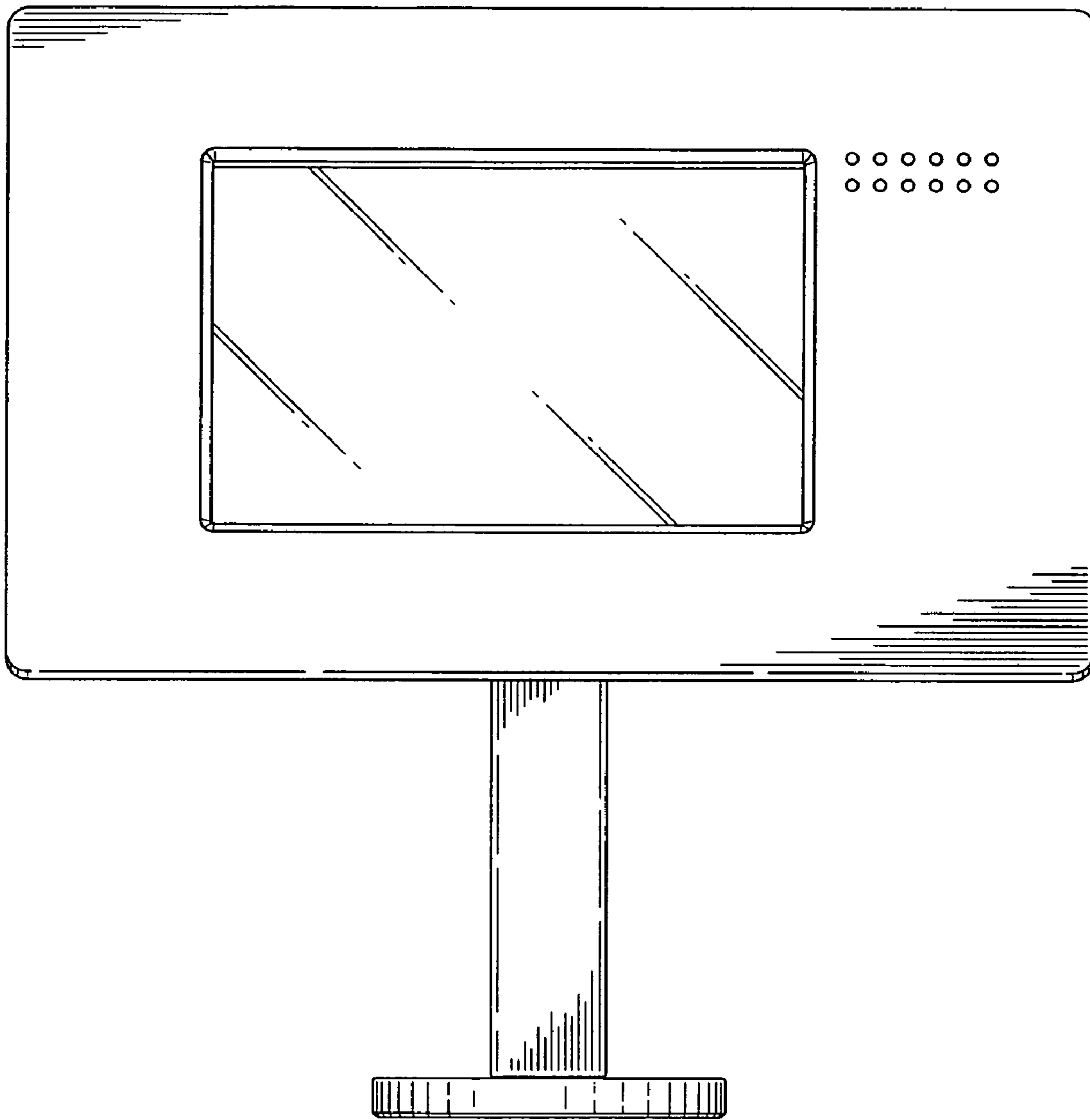


FIG. 2

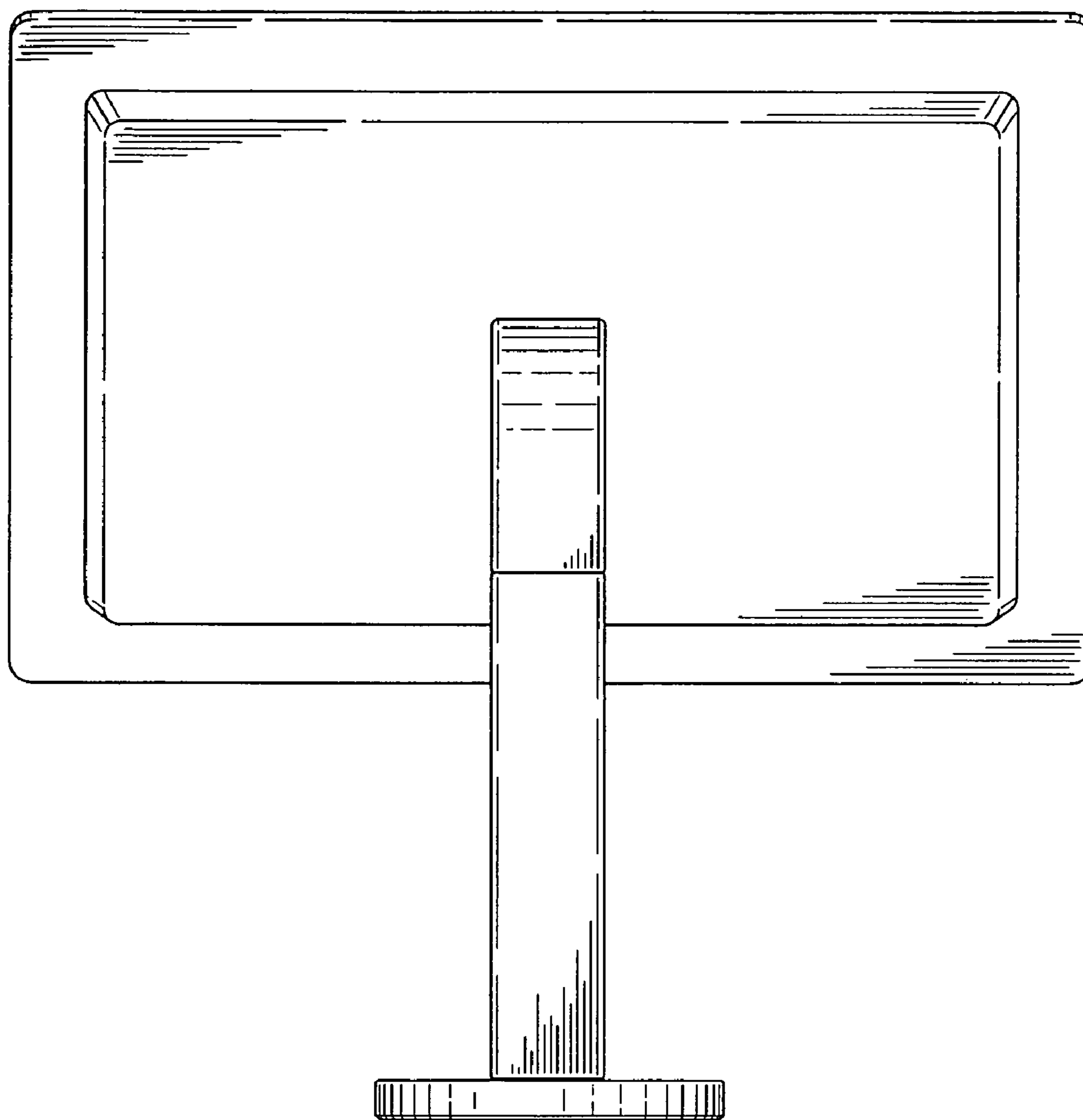


FIG. 3

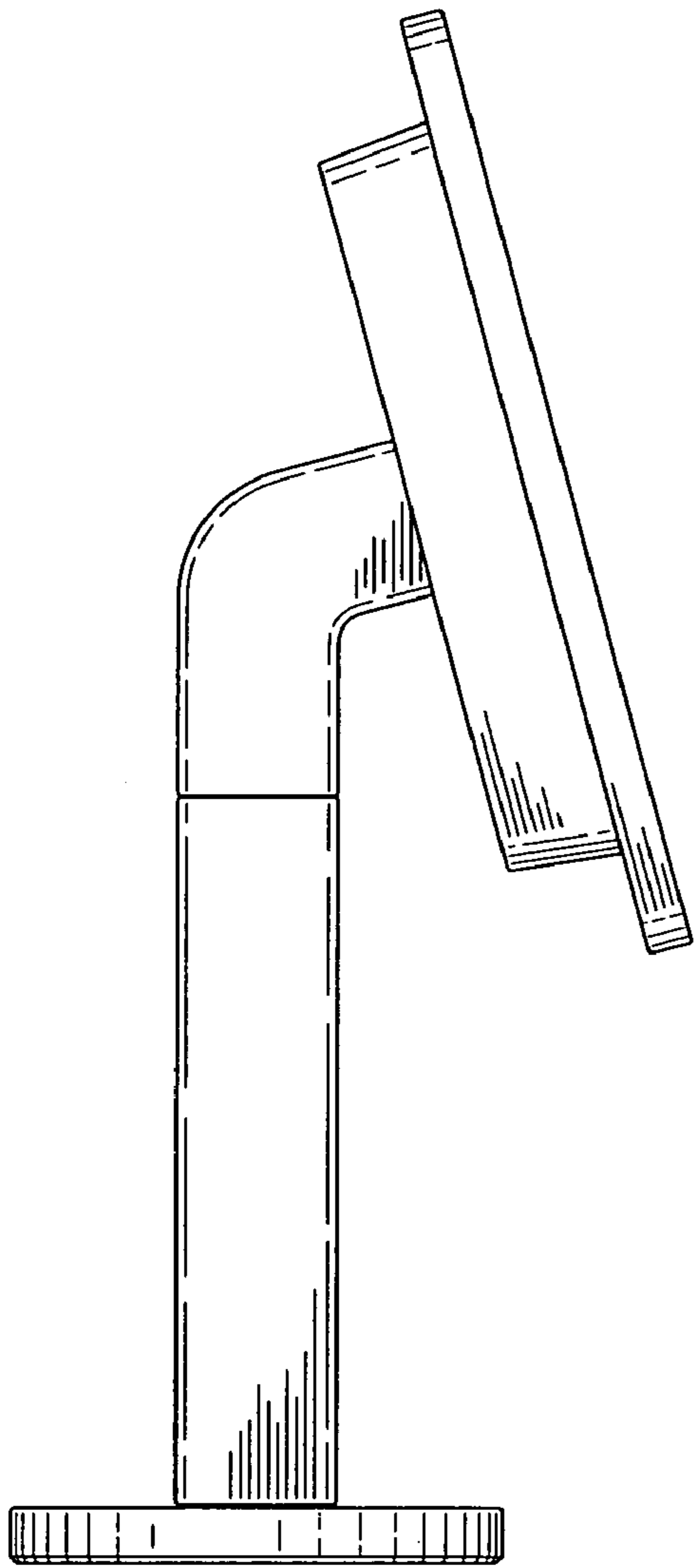


FIG. 4

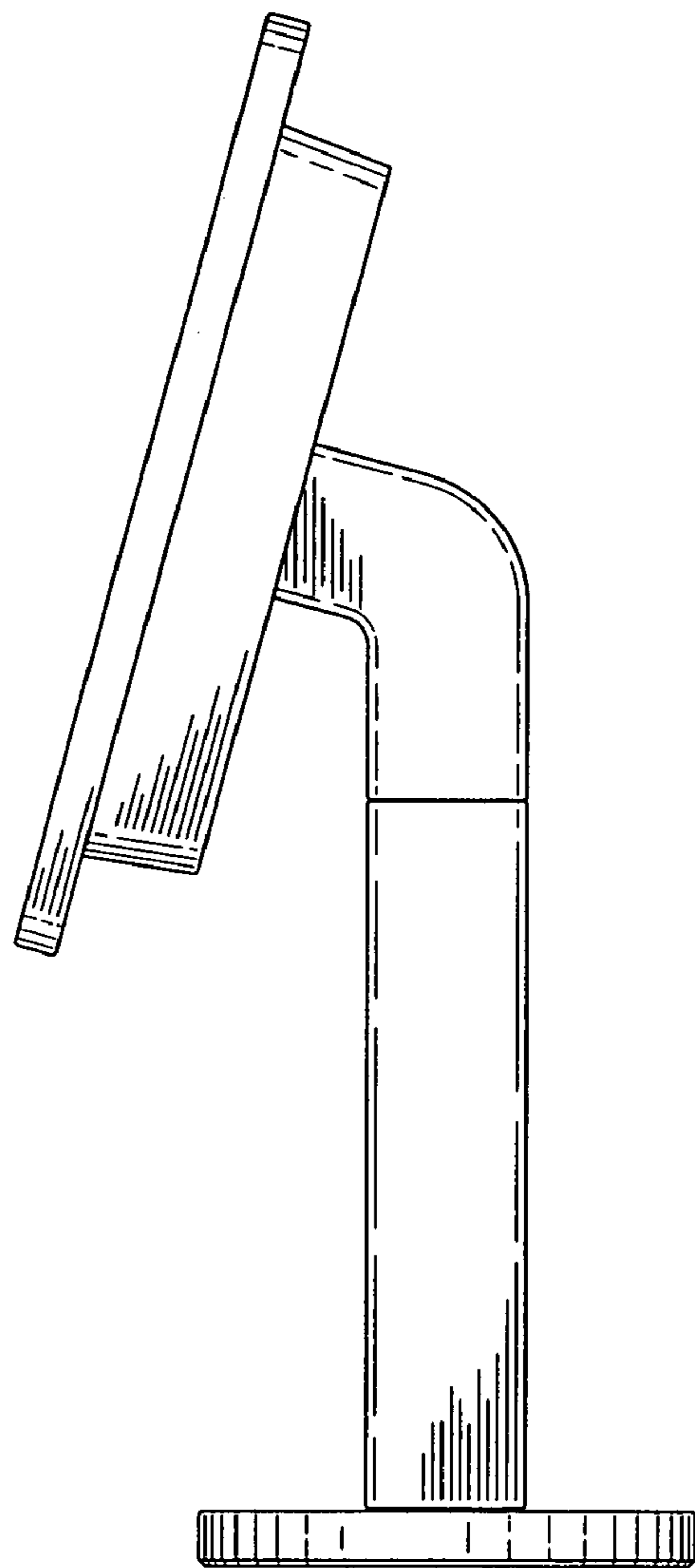


FIG. 5

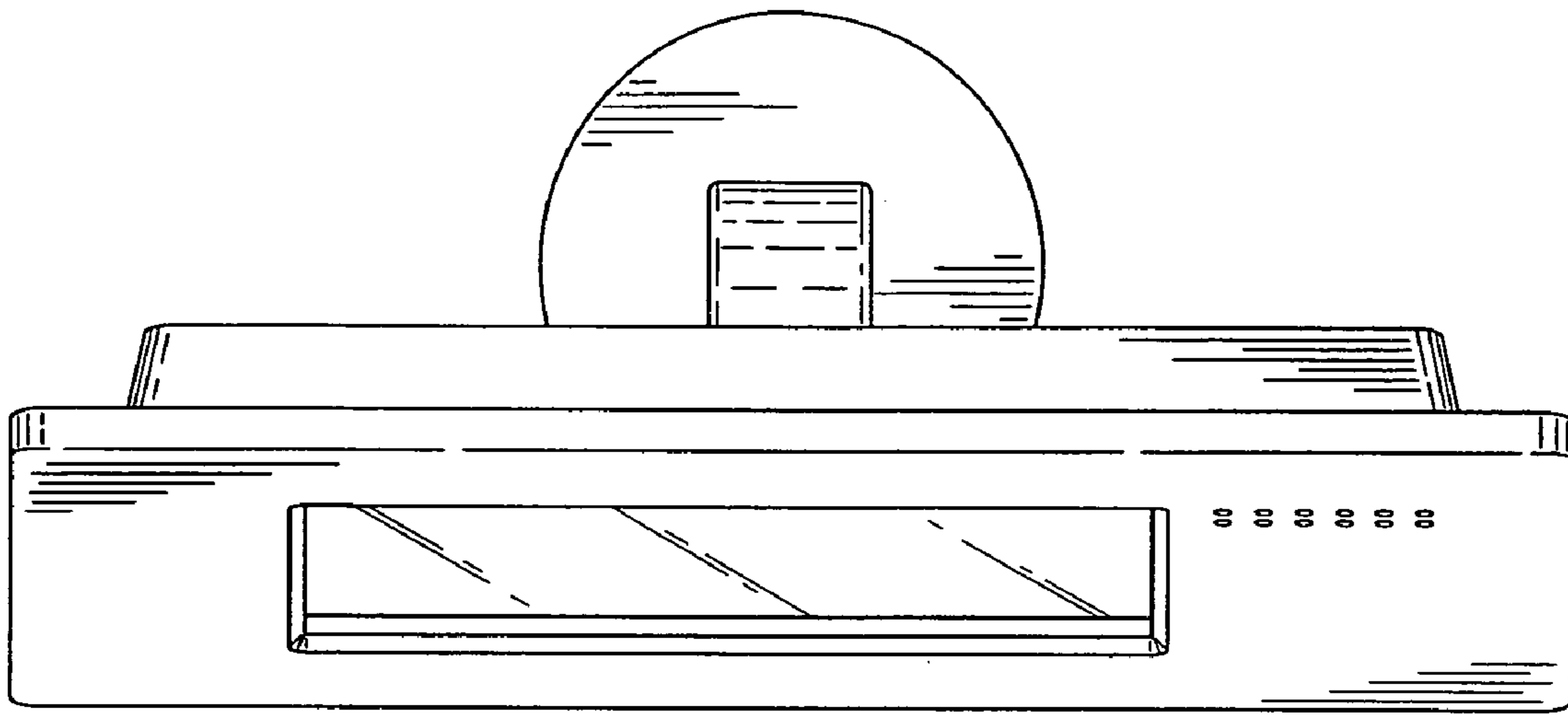


FIG. 6

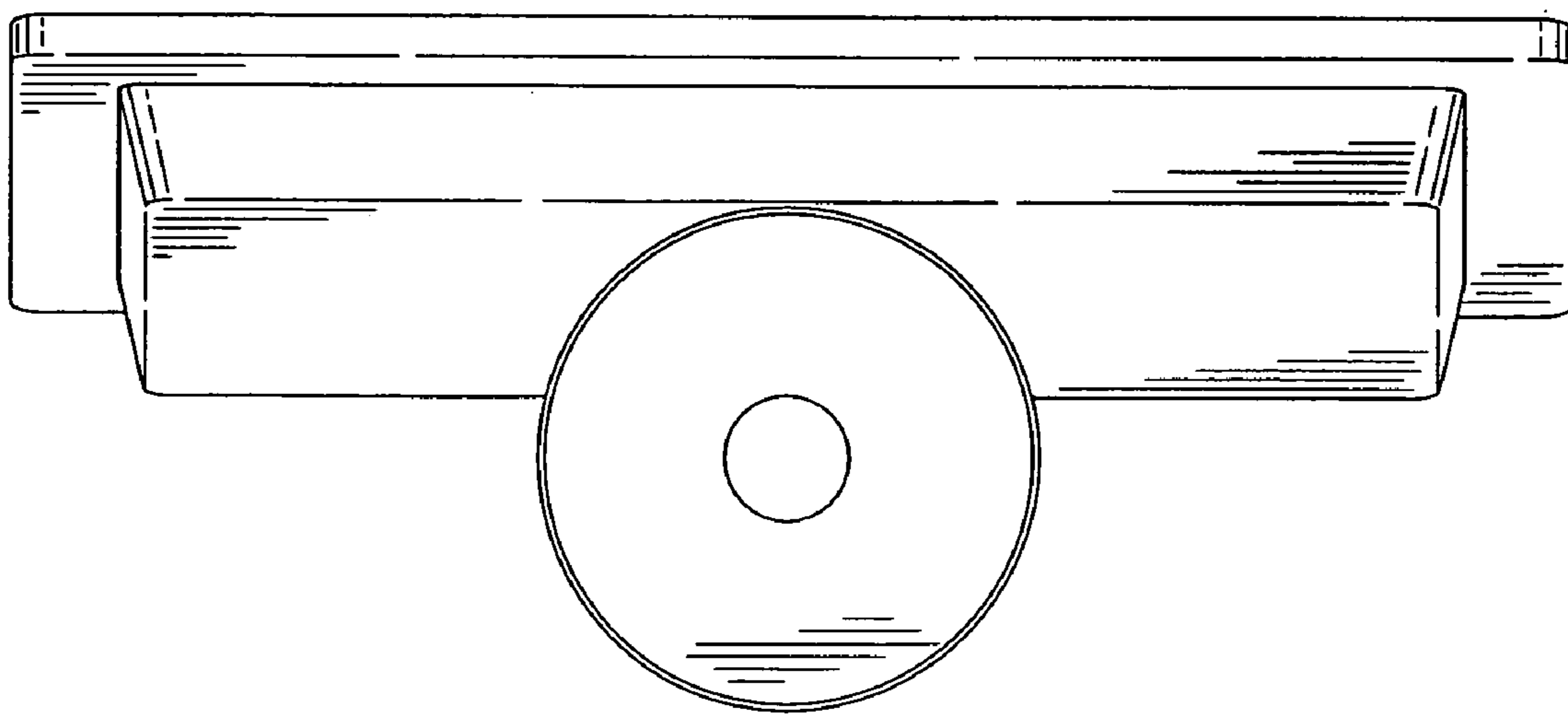


FIG. 7