



US00D556694S

(12) **United States Design Patent**  
**Sipe**

(10) **Patent No.:** **US D556,694 S**

(45) **Date of Patent:** **\*\* Dec. 4, 2007**

(54) **WALL BOX**

(76) **Inventor:** **Mark Sipe**, 4691 S. Palacio Way, Gold Canyon, AZ (US) 85218

(\*\*) **Term:** **14 Years**

(21) **Appl. No.:** **29/248,909**

(22) **Filed:** **Sep. 8, 2006**

(51) **LOC (8) Cl.** ..... **13-03**

(52) **U.S. Cl.** ..... **D13/152**

(58) **Field of Classification Search** ..... D13/139.4, D13/152, 156, 184; 174/50, 53-55, 58, 60, 174/66, 67; 220/3.2, 3.3, 3.7-3.9, 241, 242, 220/244, 315; 439/135, 136, 138, 142, 367, 439/373, 535, 536, 537, 541, 892, 893

See application file for complete search history.

(56) **References Cited**

**U.S. PATENT DOCUMENTS**

3,622,029	A *	11/1971	Ware	.....	220/3.7
4,057,164	A *	11/1977	Maier	.....	220/3.6
D286,768	S *	11/1986	Borsh et al.	.....	D13/152
4,715,507	A *	12/1987	Chamberlin	.....	220/3.94
5,619,013	A *	4/1997	Jorgensen	.....	174/53
D457,140	S *	5/2002	Roesch et al.	.....	D13/152
D459,312	S *	6/2002	Roesch et al.	.....	D13/152
6,839,244	B1	1/2005	Rood	.....	361/826

D523,818	S *	6/2006	Roesch et al.	.....	D13/152
D525,946	S *	8/2006	Chung	.....	D13/152
D533,139	S *	12/2006	Roesch et al.	.....	D13/152
D538,751	S *	3/2007	Kiely	.....	D13/152
D538,752	S *	3/2007	Kiely	.....	D13/152
D539,751	S *	4/2007	Kiely	.....	D13/152

\* cited by examiner

*Primary Examiner*—M. H. Tung

*Assistant Examiner*—Rosemary K. Tarcza

(74) *Attorney, Agent, or Firm*—Cahill, von Hellens & Glazer P.L.C.

(57) **CLAIM**

An ornamental design for a wall box, as shown and described.

**DESCRIPTION**

FIG. 1 is a top, side and front isometric view of a wall box and showing my design;

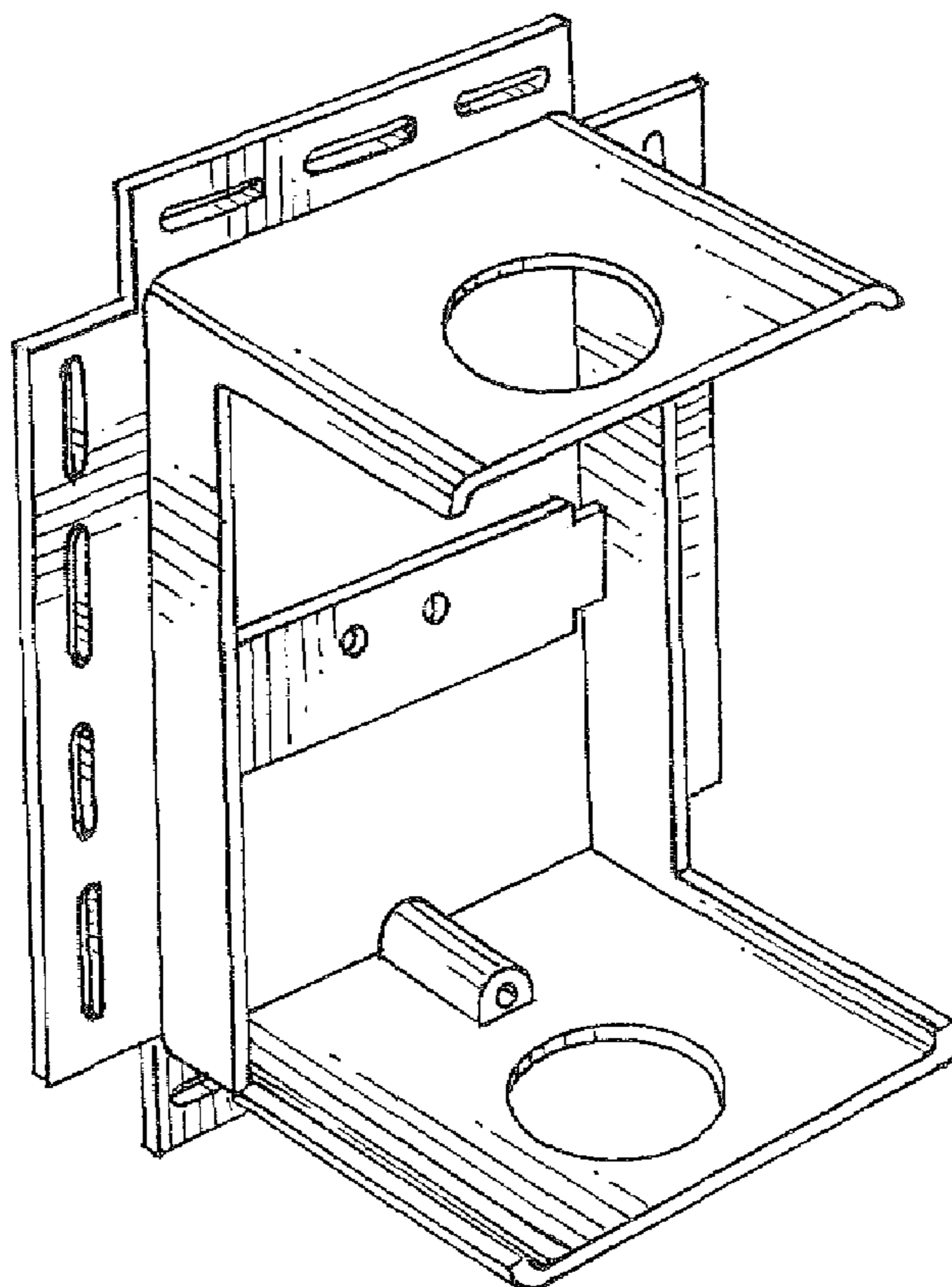
FIG. 2 is a top plan view thereof;

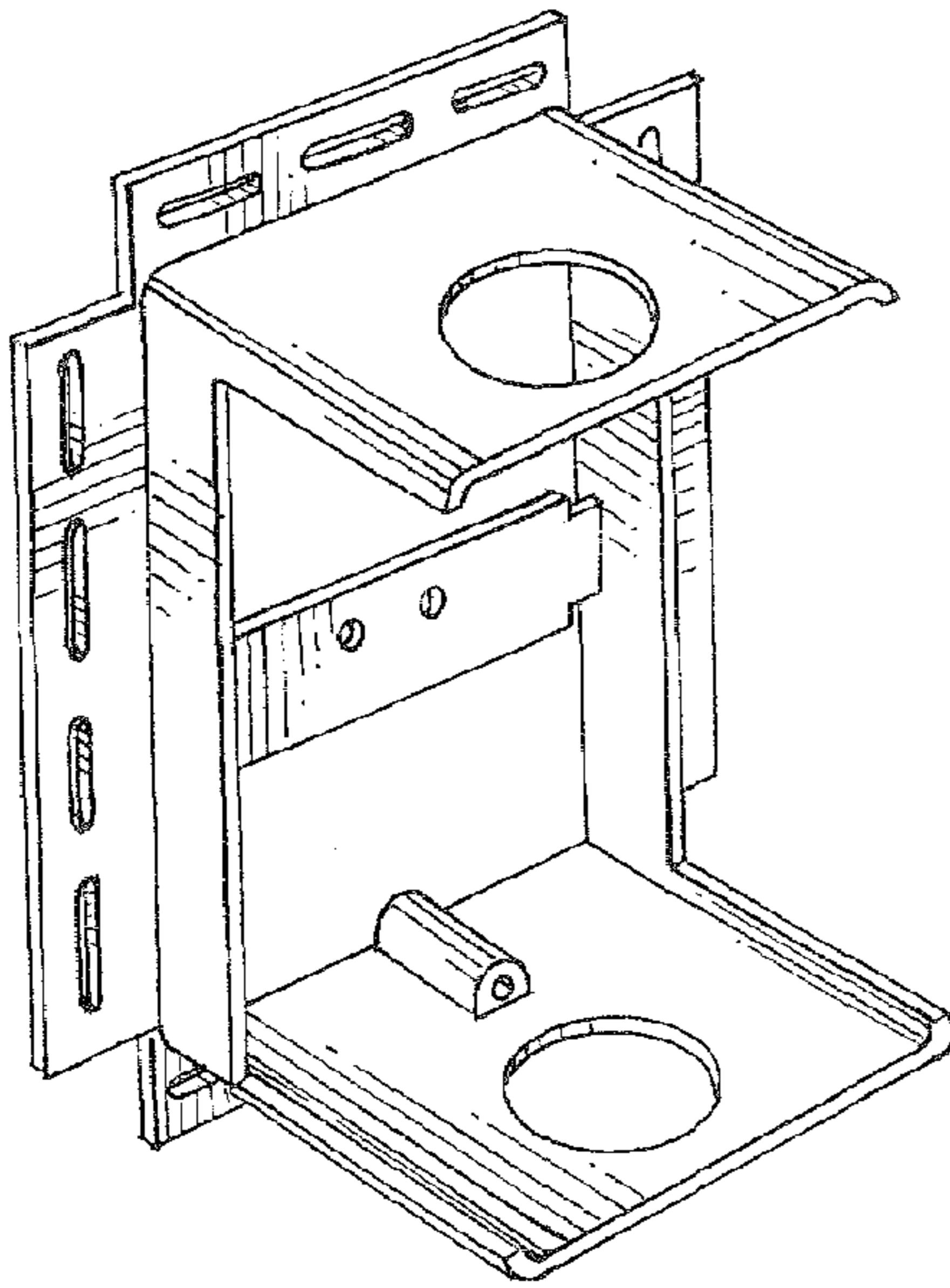
FIG. 3 is a front elevational view thereof;

FIG. 4 is a rear elevational view thereof; and,

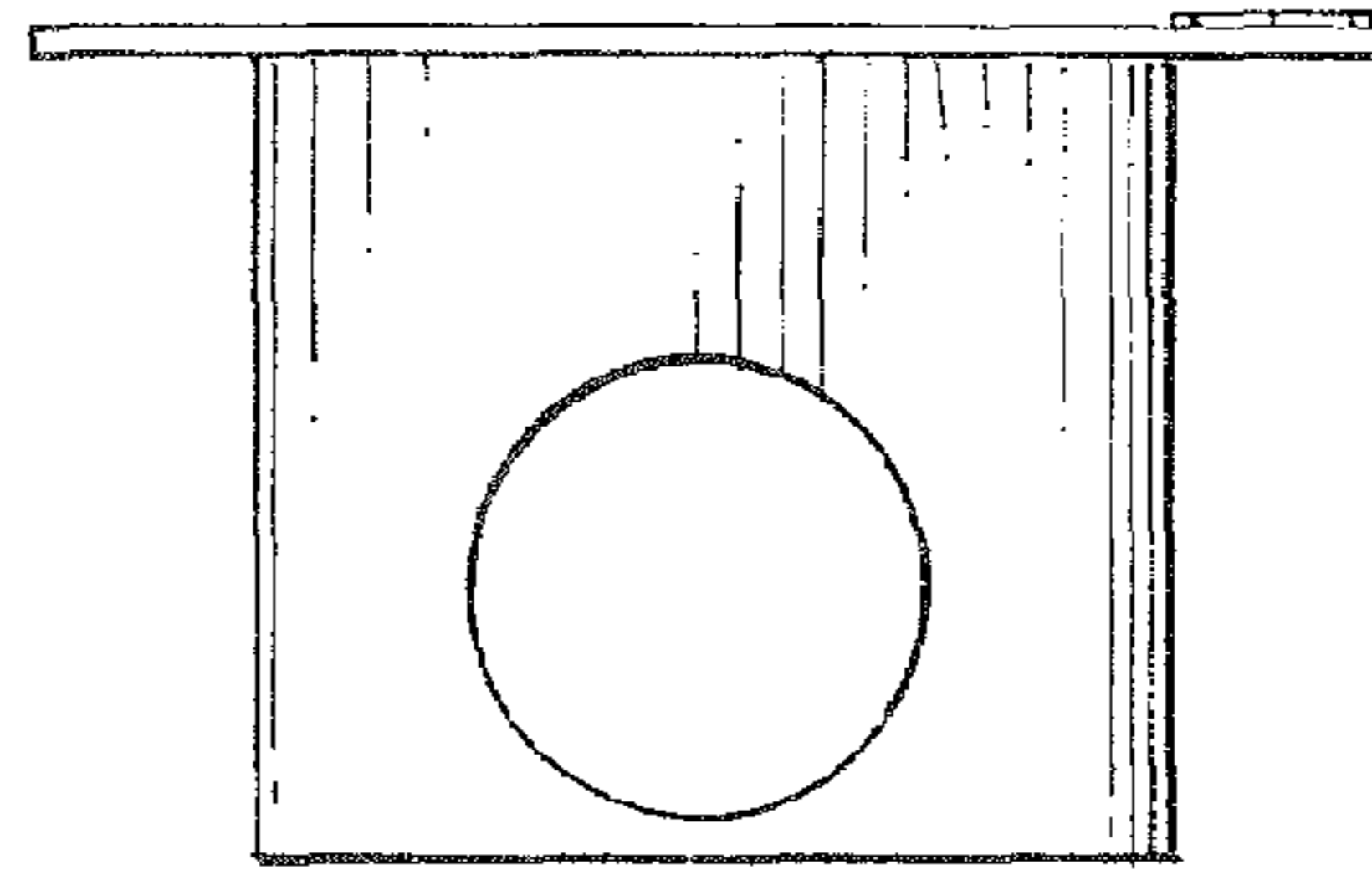
FIG. 5 is a right side elevational view thereof, the left side elevational view being a mirror image.

**1 Claim, 1 Drawing Sheet**

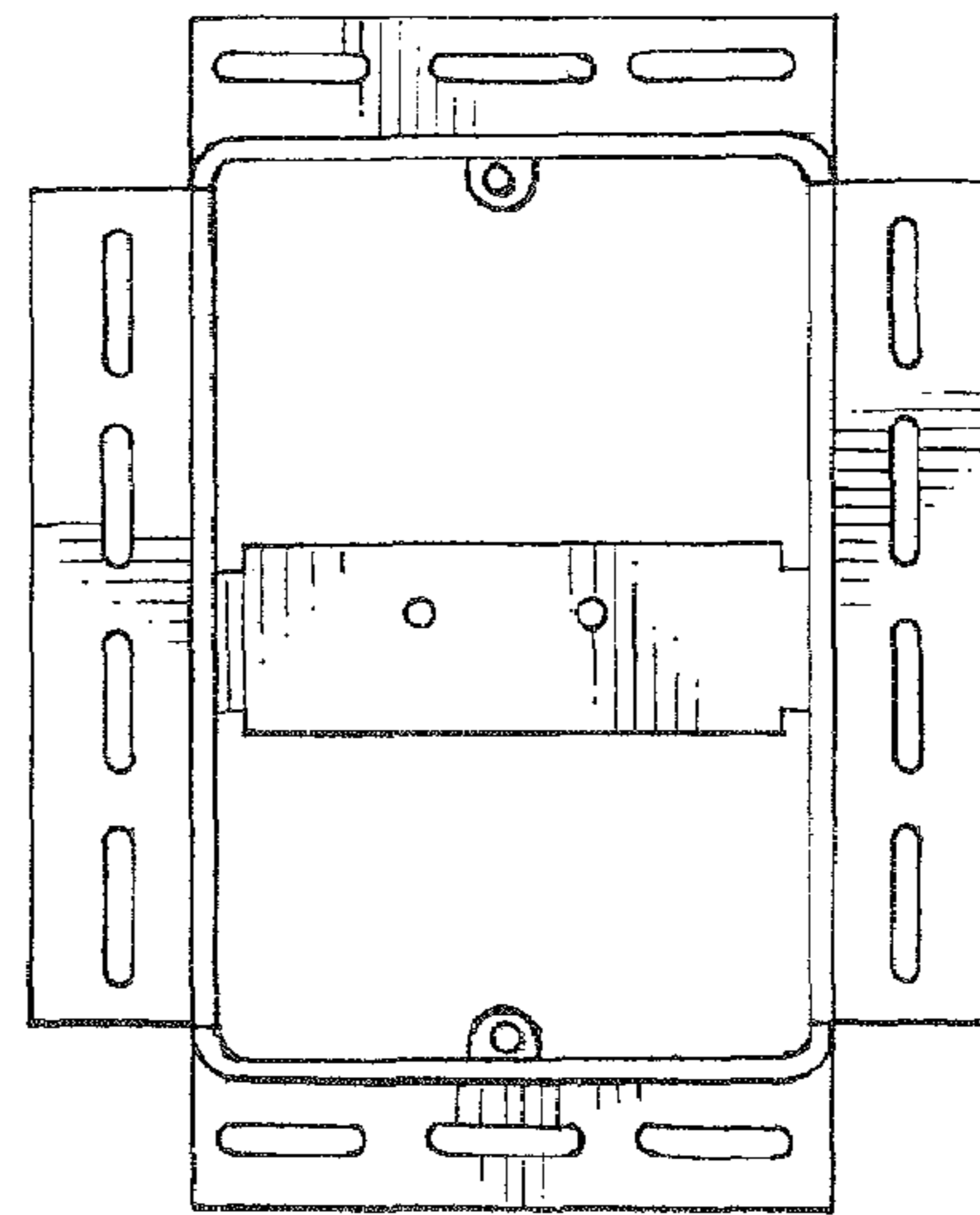




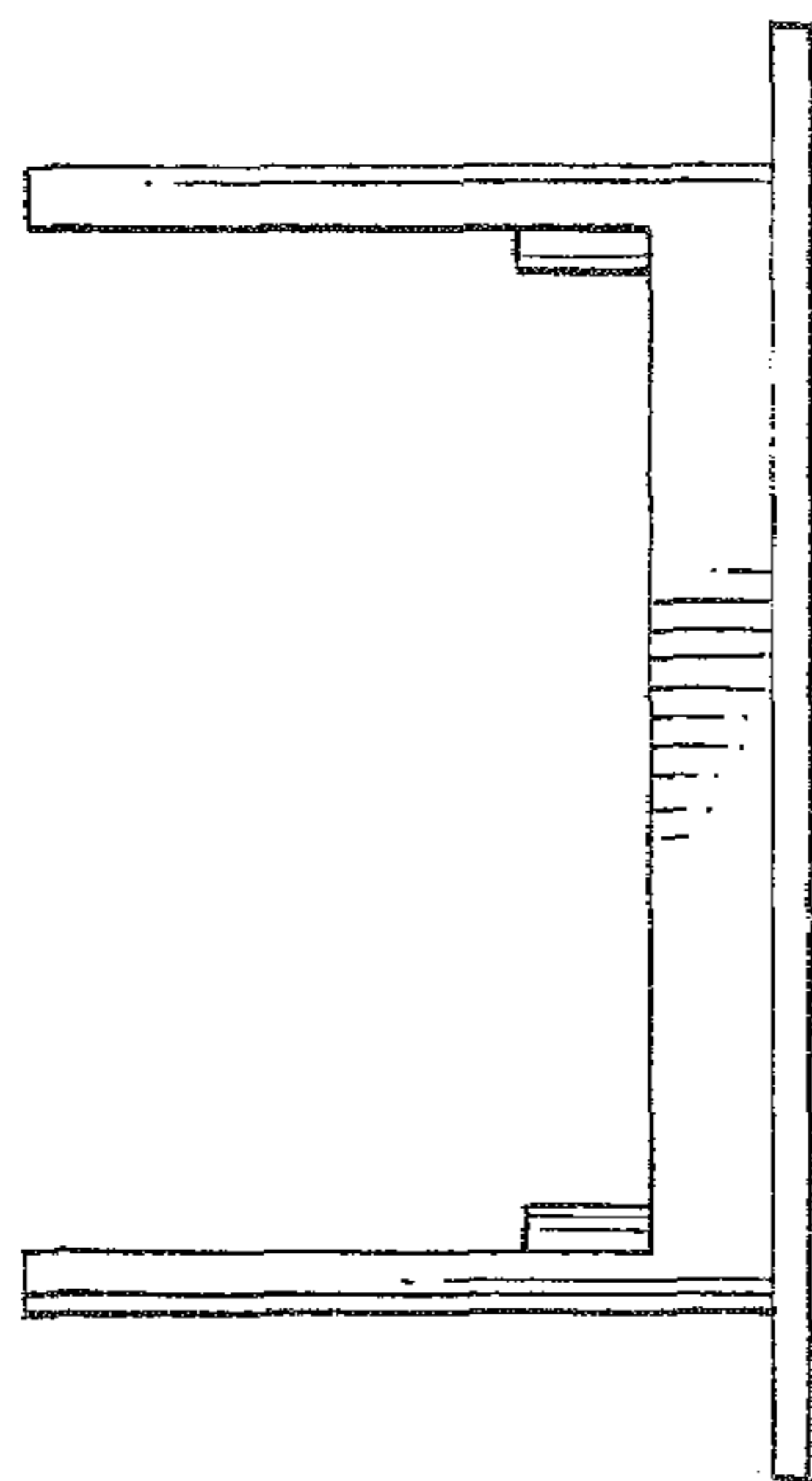
*Fig. 1*



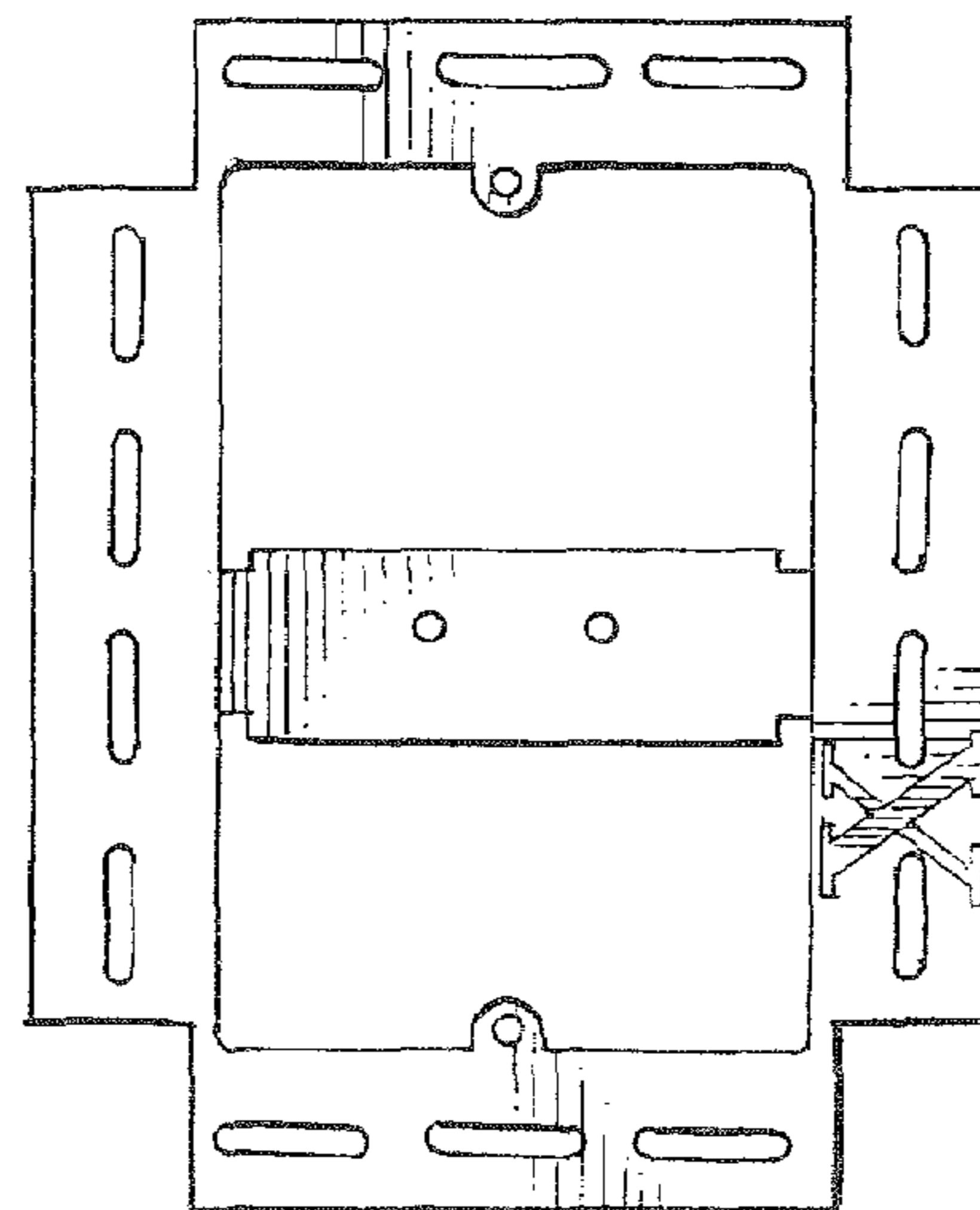
*Fig. 2*



*Fig. 3*



*Fig. 5*



*Fig. 4*